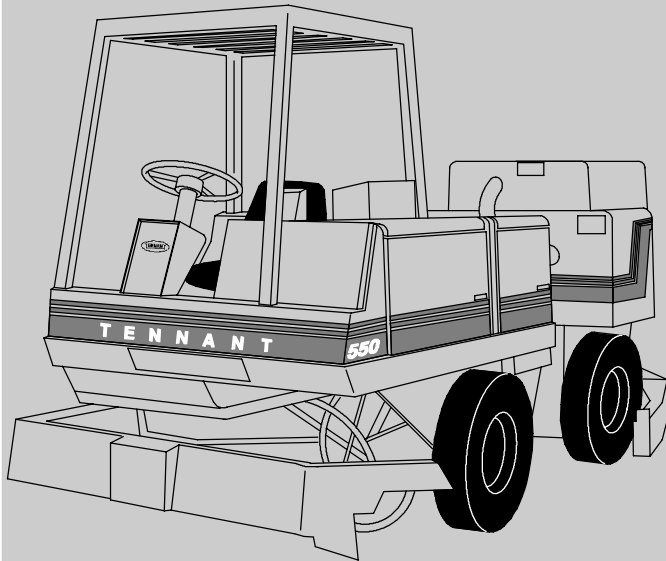




1550

(Gas/LPG/Diesel)

Rider Scrubber Manual (Parts Manual)



North America / International

www.tennantco.com

MM283
Rev. 20 (8-2008)





This manual is furnished with each new model. It provides necessary operation and maintenance instructions.

Read this manual completely and understand the machine before operating or servicing it.

This machine will provide excellent service. However, the best results will be obtained at minimum costs if:

- The machine is operated with reasonable care.
- The machine is maintained regularly - per the machine maintenance instructions provided.
- The machine is maintained with manufacturer supplied or equivalent parts.

	PROTECT THE ENVIRONMENT Please dispose of packaging materials, old machine components such as batteries, hazardous fluids including antifreeze and oil, in an environmentally safe way according to local waste disposal regulations.
	Always remember to recycle.

MACHINE DATA	
Please fill out at time of installation for future reference.	
Model No. -	_____
Serial No. -	_____
Machine Options -	_____
Sales Rep. -	_____
Sales Rep. phone no. -	_____
Customer Number -	_____
Installation Date -	_____

Tennant Company

PO Box 1452

Minneapolis, MN 55440

Phone: (800) 553-8033 or (763) 513-2850

www.tennantco.com



CALIFORNIA PROPOSITION 65 WARNING:

Engine exhaust from this product contains chemicals known to the State of California to cause cancer, birth defects, or other reproductive harm.

SRS is a US registered trademark of Tennant Company.

Specifications and parts are subject to change without notice.

Original instructions, Copyright © 1991-2002, 2005-2008 TENNANT Company, Printed in U.S.A.

HOW TO USE THIS MANUAL

This section on *HOW TO USE THIS MANUAL* will tell you how to:

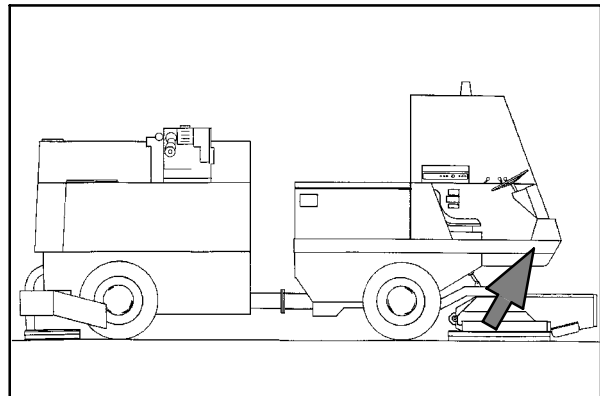
- Find important machine information for ordering correct repair parts.
- Find TENNANT part numbers.
- Order TENNANT parts and supplies.

IMPORTANT INFORMATION

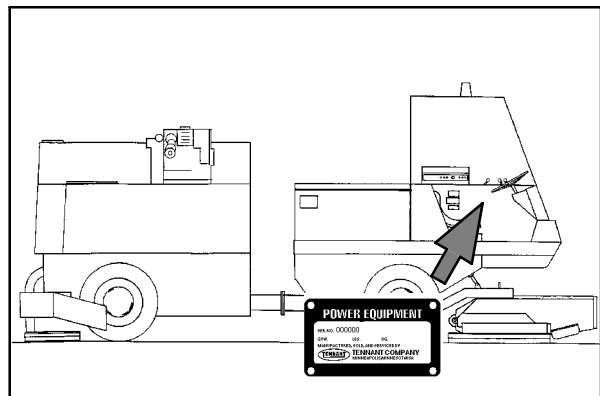
When placing an order for parts, the machine model and machine serial number are important. Refer to the *MACHINE DATA* box which is filled out during the installation of your machine. The *MACHINE DATA* box is located on the inside of the front cover of this manual.

MACHINE DATA	
<i>Please fill out at time of installation.</i>	
Machine Serial Number -	_____
Engine Serial Number -	_____
Sales Representative -	_____
Customer Number -	_____
Date of Installation -	_____
Manual Number -	MM283
Revision:	05
Published:	2-95

The model number of your machine is on the side of the machine.



The serial number of your machine is printed on the machine data plate located as shown.



HOW TO USE THIS MANUAL

FINDING A TENNANT PART NUMBER

This manual contains the following sections:

- HOW TO USE THIS MANUAL
- STANDARD PARTS
- OPTIONS
- BREAKDOWNS
- CONTINENTAL ENGINE BREAKDOWN, GASOLINE, LPG
- GM ENGINE BREAKDOWN, GASOLINE, LPG
- CONTINENTAL ENGINE BREAKDOWN, DIESEL
- PERKINS ENGINE BREAKDOWN, DIESEL
- CAT ENGINE BREAKDOWN, DIESEL
- CROSS REFERENCE

The STANDARD PARTS section lists repair parts for standard machines. They are grouped in this general order:

- General wear parts.
- Machine frame and related parts.
- Machine propelling system.
- Scrubbing components.
- Electrical parts.

The OPTION section lists repair parts of options.

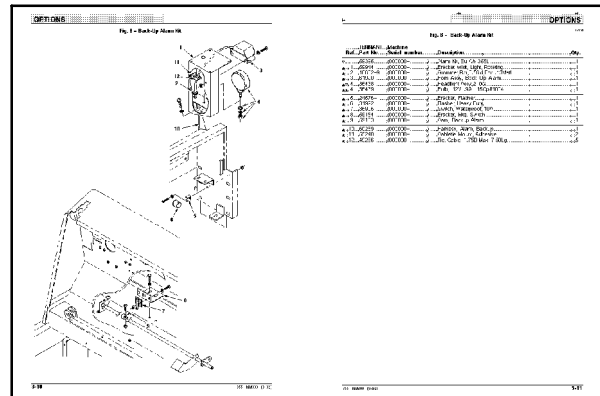
The BREAKDOWN section lists available repair parts of major components.

All sections in this manual consist of parts illustrations and corresponding parts lists.

The parts illustrations are numbered with **Ref** numbers which refer to corresponding parts lists.

The parts lists include a number of columns of information:

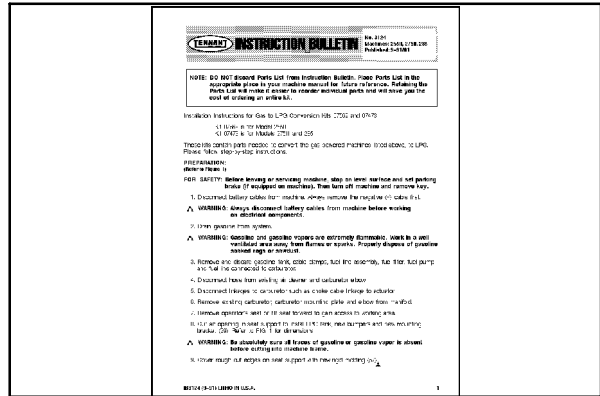
- **Ref** - column refers to the reference number on the parts illustration.
- ∇ - indicates the part is an assembly.
- ▲ - indicates the part is included in the assembly listed just before it.
- **Part No.** - column lists the TENNANT part number for the part.
- **Serial Number** - column indicates the set of machines the part number is applicable to. Serial numbers change when the machine design has been modified. The most current design of the machine is shown in the main illustration, older designs are boxed in a corner of the illustration.
- **Description** - column is a brief description of the part.
- **Qty.** - column lists the quantity of that part used in that area of the machine.



Ref.	TENNANT Part No.	Machine Serial number	Description	Qty.
∇	69395	(000000-)	Alarm Kit, Bu Alv 355L	1
▲ 1	59344	(000000-)	Bracket W/ht, Light, Rotating	1
▲ 2	10632-9	(000000-)	Grommet, Fltr, 0.55Id, For .13Mail	1
▲ 3	61920	(000000-)	Horn Assy, Back-Up Alarm	1
∇ 4	36438	(000000-)	Headlight Assy, 21CG	1
▲ 4	36439	(000000-)	Bulb, 12V .5A 15Cp#1004	1
▲ 5	24576-1	(000000-)	Bracket, Flasher	1
▲ 6	31922	(000000-)	Flasher, Heavy Duty	1
▲ 7	36906	(000000-)	Switch, Waterproof, 10A	1
▲ 8	59154	(000000-)	Bracket, Mtg, Switch	1
▲ 9	59163	(000000-)	Carr, Backup Alarm	1
▲ 10	60289	(000000-)	Harness, Alarm, Backup	1
▲ 11	55246	(000000-)	Cabletie Mount, Adhesive	2
▲ 12	49256	(000000-)	Tie, Cable 1.75D Max 7.50Lg	5

NOTE: If a service kit is installed on your machine, be sure to keep the **INSTRUCTION BULLETIN** which came with the kit. It contains repair parts numbers needed for ordering future parts.

NOTE: Fasteners used in this machine may be metric or non-metric. Take care when replacing hardware to replace with same thread size.



PLACING AN ORDER

Orders may be placed by phone, fax, or by mail. Phone orders may need written confirmation. Follow the steps below to insure prompt delivery:

1. Identify the model number of your machine.
2. Identify the serial number of your machine.
3. Find the part number of the part you need. Do not order by page number or reference number. If you are not able to find the part number, call your TENNANT representative for help or send the old part as a sample.
4. Determine the quantity of the part you need.
5. Provide the following company information:
 - Company name
 - Customer ID Number
 - Shipping address
 - Billing address
 - First and last name of person ordering parts
 - Telephone number
 - Purchase order number
6. Provide definitive shipping instructions.

HOW TO USE THIS MANUAL

Any claim for loss or damage to a shipment in transit should be filed promptly with the transportation company making the delivery. Shipments will be complete unless the packing list or order acknowledgement indicates items back ordered.

If parts received are suspected to be incorrect or defective, please contact the TENNANT representative from whom you ordered the part. They will give authorization for return and/or handle replacement shipments when required.

SECTION 6

Contents	Page	Contents	Page
Fig. 1 - Recommended General Maintenance Items	6-3	Fig. 36 - Engine Muffler Group (001000-001423)	6-62
Fig. 2 - Replacement Brushes	6-7	Fig. 37 - Engine Muffler Group, Gas/LPG (001424-001505)	6-64
Fig. 3 - Main Frame Group (001000-001505)	6-8	Fig. 38 - Engine Muffler Group, Gas/LPG (001508-001537)	6-66
Fig. 4 - Main Frame Group (001508-)	6-10	Fig. 39 - Engine Muffler Group, Gas/LPG (001538-)	6-68
Fig. 5 - Main Frame Cover and Door Group (001508-)	6-12	Fig. 40 - Engine Oil Filter and Drain Group, Gas/LPG (001424-)	6-70
Fig. 6 - Main Frame Noise Insulation Group (001000-001505)	6-14	Fig. 41 - Engine Radiator and Hydraulic Cooler Group (001000-001423)	6-71
Fig. 7 - Seat Group	6-15	Fig. 42 - Engine Radiator and Hydraulic Cooler Group, Gas/LPG (001424-001505)	6-72
Fig. 8 - Scrub Head Lift Group	6-16	Fig. 43 - Engine Radiator and Hydraulic Cooler Group, Gas/LPG (001508-)	6-74
Fig. 9 - Scrub Head Hopper Group	6-18	Fig. 44 - Engine Fan and Pulley Group, Gas/LPG (001424-001505)	6-76
Fig. 10 - Scrub Head Rear Squeegee Group	6-19	Fig. 45 - Engine Air Cleaner Group, Gas (001000-001402)	6-78
Fig. 11 - Scrub Head Right Side Squeegee Assembly	6-20	Fig. 46 - Engine Air Cleaner Group, Gas (001403-001423)	6-79
Fig. 12 - Scrub Head Left Side Squeegee Assembly	6-22	Fig. 47 - Engine Air Cleaner Group, Gas/LPG (001424-001505)	6-80
Fig. 13 - Scrub Head Solution Control Group	6-24	Fig. 48 - Engine Air Cleaner Group, Gas (001508-)	6-82
Fig. 14 - Scrub Head Front Brush Drive Components Group	6-26	Fig. 49 - Engine Fuel Tank Group, Gas (001000-001423)	6-84
Fig. 15 - Scrub Head Front Brush Idler Assembly	6-28	Fig. 50 - Engine Fuel Tank Group, Gas (001424-001505)	6-86
Fig. 16 - Scrub Head Rear Brush Idler Assembly	6-29	Fig. 51 - Engine Fuel Tank Group, Gas (001508-001537)	6-88
Fig. 17 - Scrub Head Rear Brush Drive Components Group	6-30	Fig. 52 - Engine Fuel Tank Group, Gas (001538-)	6-90
Fig. 18 - Steering Column Group, Gas/LPG (001000-001505)	6-32	Fig. 53 - Engine Battery Group, Gas/LPG	6-92
Fig. 19 - Steering Column Group, Gas/LPG (001508-)	6-33	Fig. 54 - Electrical Schematic, Gas/LPG (001000-001423)	6-93
Fig. 20 - Front and Rear Wheel Assembly	6-34	Fig. 55 - Electrical Schematic, Options (001000-001505)	6-94
Fig. 21 - Rear Axle Group	6-35	Fig. 56 - Electrical Schematic, Specials (001000-001505)	6-95
Fig. 22 - Front Wheel Drive Group	6-36	Fig. 57 - Electrical Schematic, Gas/LPG (001424-001505)	6-96
Fig. 23 - Hydraulic Directional Pedal Group (001000-001103)	6-38	Fig. 58 - Electrical Schematic, Gas/LPG (001508-001537)	6-100
Fig. 24 - Hydraulic Directional Pedal Group, Gas/LPG (001104-)	6-40	Fig. 59 - Electrical Schematic (001538-)	6-105
Fig. 25 - Front Wheel Parking Brake Group	6-42	Fig. 60 - Electrical Wiring Diagram, Instrument Panel (001508-)	6-111
Fig. 26 - Brakes Group	6-43	Fig. 61 - Electrical Wire Harnesses Group (001000-001505)	6-114
Fig. 27 - Engine Group, Gas (001000-001423)	6-44	Fig. 62 - Electrical Wire Harnesses Group, Gas/LPG (001508-)	6-118
Fig. 28 - Engine Group, Gas/LPG (001424-001505)	6-46	Fig. 63 - Instrument Panel Group, Gas/LPG (001000-001505)	6-128
Fig. 29 - Engine Group, Gas/LPG (001508-)	6-48		
Fig. 30 - Engine Alternator Group, Gas/LPG (001424-001505)	6-50		
Fig. 31 - Engine Alternator Group, Gas/LPG (001508-001537)	6-52		
Fig. 32 - Engine Alternator Group, Gas/LPG (001538-)	6-54		
Fig. 33 - Engine EFI Group, Gas (001424-001505)	6-56		
Fig. 34 - Engine EFI Group, Gas (001508-001537)	6-58		
Fig. 35 - Engine EFI Group, Gas (001538-)	6-60		

STANDARD PARTS

Contents	Page
Fig. 64 - Instrument Panel Group, Gas (001508-)	6-130
Fig. 65 - SRS Control Panel Assembly	6-132
Fig. 66 - Hydraulic Schematic (001000-001103)	6-133
Fig. 67 - Hydraulic Schematic (001104-001505)	6-134
Fig. 68 - Hydraulic Schematic, Gas/LPG (001508-)	6-136
Fig. 69 - Hydraulic Hoses Group (001000-001103)	6-138
Fig. 70 - Hydraulic Hoses Group (001104-001505)	6-140
Fig. 71 - Hydraulic Hoses Group, Gas/LPG (001508-)	6-142
Fig. 72 - Hydraulic Propelling Motors Group	6-144
Fig. 73 - Hydraulic Reservoir Group (001000-001505)	6-145
Fig. 74 - Hydraulic Reservoir Group Gas/LPG (001508-)	6-146
Fig. 75 - Hydraulic Control Valves Group (001000-001505)	6-147
Fig. 76 - Hydraulic Control Valves Group, Gas/LPG (001508-)	6-148
Fig. 77 - Hydraulic Pumps Group (001000-001103)	6-150
Fig. 78 - Hydraulic Pumps Group (001104-001505)	6-151
Fig. 79 - Hydraulic Pumps Group, Gas/LPG (001508-)	6-152
Fig. 80 - Hydraulic Filters Group (001000-001103)	6-153
Fig. 81 - Hydraulic Filter Group (001104-001505)	6-154
Fig. 82 - Hydraulic Filter Group, Gas/LPG (001508-)	6-155
Fig. 83 - Hydraulic Solenoid Valve and Manifold Group, Gas/LPG (001508-)	6-156
Fig. 84 - Hydraulic Tow Bypass Group (001061-001103)	6-158
Fig. 85 - Rear Bumper Group	6-159
Fig. 86 - Vacuum Fan Assembly, Gas/LPG (001000-001505)	6-160
Fig. 87 - Vacuum Fan Group, Gas/LPG (001508-)	6-162
Fig. 88 - Trunnion Group	6-164
Fig. 89 - Solution Pumps Group	6-166
Fig. 90 - Solution and Recovery Tank Group, Front Side	6-168
Fig. 91 - Solution and Recovery Tank Group, Rear Side	6-170
Fig. 92 - Rear Squeegee Assembly	6-172
Fig. 93 - Label Group	6-174

Fig. 1 - Recommended General Maintenance Items

Ref.	Part No.	Serial Number	Description	Qty.
▽	02462	(001000-001103)	Performance Package, 400 Hour, Diesel	1
▲	39703-2	(001000-001103)	Element, Oil Filter	8
▲	01433-1	(001000-001103)	Grease, Special	1
▲	76335	(001000-001103)	Element Assembly, Air Cleaner	1
▲	52770-9	(001000-001103)	Element, Fuel Filter	1
▲	55740	(001000-001103)	Element, Hydraulic Filter	2
▲	65869-5	(001000-001103)	Hydraulic Fluid, 5 Gal (18.9 L)	3
▽	79112	(001104-001423)	Performance Package, 400 Hour, Diesel, Servo	1
▲	39703-2	(001104-001423)	Element, Oil Filter	8
▲	01433-1	(001104-001423)	Grease, Special	1
▲	76335	(001104-001423)	Element Assembly, Air Cleaner	1
▲	52770-9	(001104-001423)	Element, Fuel Filter	1
▲	65221	(001104-001423)	Element, Hydraulic Filter	2
▲	65869-5	(001104-001423)	Hydraulic Fluid, 5 Gal (18.9 L)	3
▽	61478	(001000-001103)	Performance Package, TM27, 400 Hour, Gas and LPG	1
▲	16853	(001000-001103)	Filter, Oil	8
▲	01433-1	(001000-001103)	Grease, Special	1
▲	34726	(001000-001103)	Spark Plug	8
▲	09837	(001000-001103)	Rotor	2
▲	58120	(001000-001103)	Element, Air Cleaner	1
▲	55740	(001000-001103)	Element, Hydraulic Filter	2
▲	65869-5	(001000-001103)	Hydraulic Fluid, 5 Gal (18.9 L)	3
▽	79111	(001104-001423)	Performance Package, TM27, 400 Hour, Gas and LPG, Servo	1
▲	16853	(001104-001423)	Filter, Oil	8
▲	01433-1	(001104-001423)	Grease, Special	1
▲	34726	(001104-001423)	Spark Plug	8
▲	09837	(001104-001423)	Rotor	2
▲	58120	(001104-001423)	Element, Air Cleaner	1
▲	65221	(001104-001423)	Element, Hydraulic Filter	2
▲	65869-5	(001104-001423)	Hydraulic Fluid, 5 Gal (18.9 L)	3
▽	02460	(001000-)	Squeegee Blades Kit, Side	1
▲	60015	(001000-)	Blade, Squeegee	4
▲	59617	(001000-)	Flap, Containment	2
▲	75711	(001000-)	Brush	2
▲	75799	(001000-)	Skirt	2
▽	02457	(001000-)	Squeegee Blades Kit, Rear	1
▲	60016	(001000-)	Blade, Rear	1
▲	76937	(001000-)	Strip, Rear Backup	2
▲	60018	(001000-)	Blade, Front	1
▽	02456	(001000-)	Hose Kit, Vacuum, SRS	1
▲	40870-7	(001000-)	Hose Assembly	1
▲	23498	(001000-)	Clamp, Worm Drive	4
▲	76828	(001000-)	Hose Assembly	1
▲	75635	(001000-)	Hose Assy, W/1cuff, 1.5d 120l 1.5/	1
▲	11531	(001000-)	Clamp, Worm Drive	1
▲	50845	(001000-)	Hose, Hopper	1
▲	22297	(001000-)	Clamp, Worm Drive	2
▲	40870-1	(001000-)	Hose Assembly	1
▲	25649	(001000-)	Hose, Squeegee	1
▲	43555	(001000-)	Clamp, Worm Drive	2

STANDARD PARTS

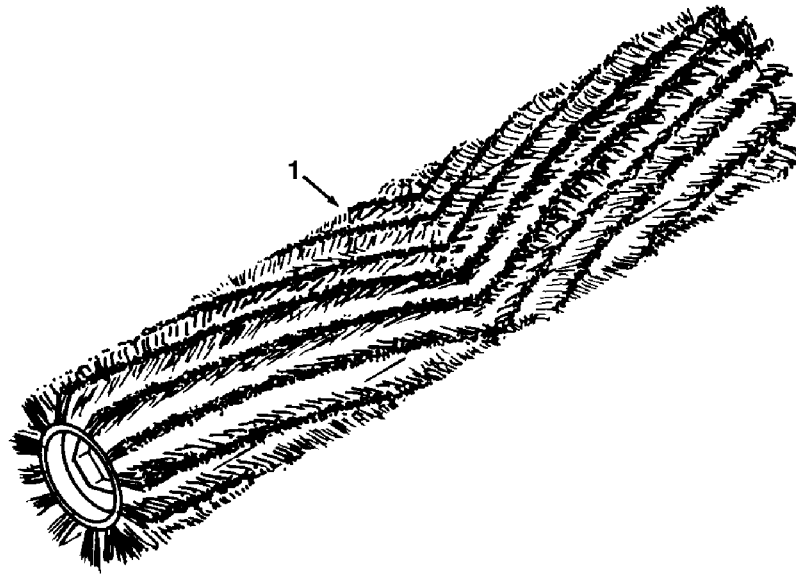
Fig. 1 - Recommended General Maintenance Items

Ref.	Part No.	Serial Number	Description	Qty.
	01433-1	(001424-) Grease, Special	1
	393934	(001424-) Spark Plug	4
	369746	(001403-) Element, Fltr, Air (Gas)	1
	65221	(001104-001505) Element, Hydraulic Filter (Gas)	1
	1015933	(001508-) Element, Fltr, Oil, Spin-on [Dn] (Gas)	1
	36050	(001424-001441) Filter, Fuel, In-line, (Gas)	1
	21298	(001442-001505) Filter, Fuel, In-line, (Gas)	1
	372440	(001508-) Filter, Fuel [Gm 1.6l/3.0l] (Gas)	1
	371671	(001424- xxxxxx) Filter, Fuel, In-line, (Lpg)	1
	377337	(xxxxxx-001505) Filter, Fuel, In-line, (Lpg)	1
	372615	(001508-) Filter Kit, Fuelock, (Lpg)	1
	393982	(001424-) Filter, Oil (Gas, Lpg)	1
	65221	(001104-) Element, Hydraulic Filter (Diesel)	1
	36050	(001424-001505) Filter, Fuel, In-line, (Diesel)	1
	1017126	(001508-) Element, Fltr, Fuel (Diesel)	1
	371637	(001424-001505) Filter, Oil, (Diesel)	1
	372654	(001508-) Filter, Oil, Eng (Diesel)	1
	369746	(001424-001505) Element, Fltr, Air (Diesel)	1
	372448	(001508-) Element, Fltr, Air-Clnr (Diesel)	1
	65869-5	(001424-) Hydraulic Fluid, 5 Gal (18.9 L)	1
▽	398344	(001000-) Kit, Maint, 800hr [550 G/Lp/D]	1
▲	60015	(001000-) Blade, Sqge, Linatex, Side	4
▲	59617	(001000-) Flap, Containment	2
▲	75711	(001000-) Brush Assy, Strip, 4.0l, Pyp	2
▲	75799	(001000-) Strip, Backup	2
▲	60016	(001000-) Blade, Sqge, Rear, Linatex	1
▲	76937	(001000-) Strip, Backup	2
▲	60018	(001000-) Blade, Sqge, Front, Linatex	1
▲	40870-7	(001000-) Hose, Flex, Vacuum, 4.0d 54.0l	1
▲	23498	(001000-) Clamp, Hose, Wormdrive, 3.56-4.50d	5
▲	76828	(001000-) Hose Assy, Pvc, W/ Cuff, 2.0d, 48.0l	1
▲	75635	(001000-) Hose Assy, W/1cuff, 1.5d 120l 1.5/	1
▲	11531	(001000-) Clamp, Hose, Wormdrive, 1.06-2.00d	1
▲	50845	(001000-) Hose, Rbr, 2.00id 2.40od 07.5l	1
▲	22297	(001000-) Clamp, Hose, Wormdrive, 1.56-2.50d	2
▲	40870-1	(001000-) Hose, Flex, Vacuum, 4.0d 41.1l	1
▲	25649	(001000-) Hose, Flex, Vacuum, 3.0d 20.0l	1
▲	43555	(001000-) Clamp, Hose, Wormdrive, 1.62-3.50d	2
▲	06332	(001000-) Gasket, Door, Clean-Out	2
▲	76532	(001000-) Gasket, Tube, Suc, Front	2
▲	78802	(001000-) Gasket	4
▲	75076	(001000-) Gasket, Tube, Suc, Rear	1
▲	50518	(001000-) Bar, Flt, Rbr, 0.38 X 6.00 X 18.00l	1
▲	06229	(001000-) Gasket, Door	1
▲	76395	(001000-) Gasket, Cover, Sandblast	1
▲	79557	(001000-) Gasket, Air Outlet	1
▲	06223	(001000-) Gasket	1
▲	79545	(001000-) Gasket	1

Fig. 1 - Recommended General Maintenance Items

Ref.	Part No.	Serial Number	Description	Qty.
	16411	(001000-) Paint, Airdry, Off-White, 12oz	1
	16412	(001000-) Paint, Airdry, Teal, 12oz, Solid	1
	377540	(001000-) Paint, Airdry, Blk, 12oz	1
	377538	(001000-) Paint, Airdry, Gray, 12oz [Enamel]	1
	377537	(001000-) Paint, Airdry, Iron Gray, 12oz [Pwdr Coat]	1

Fig. 2 - Replacement Brushes

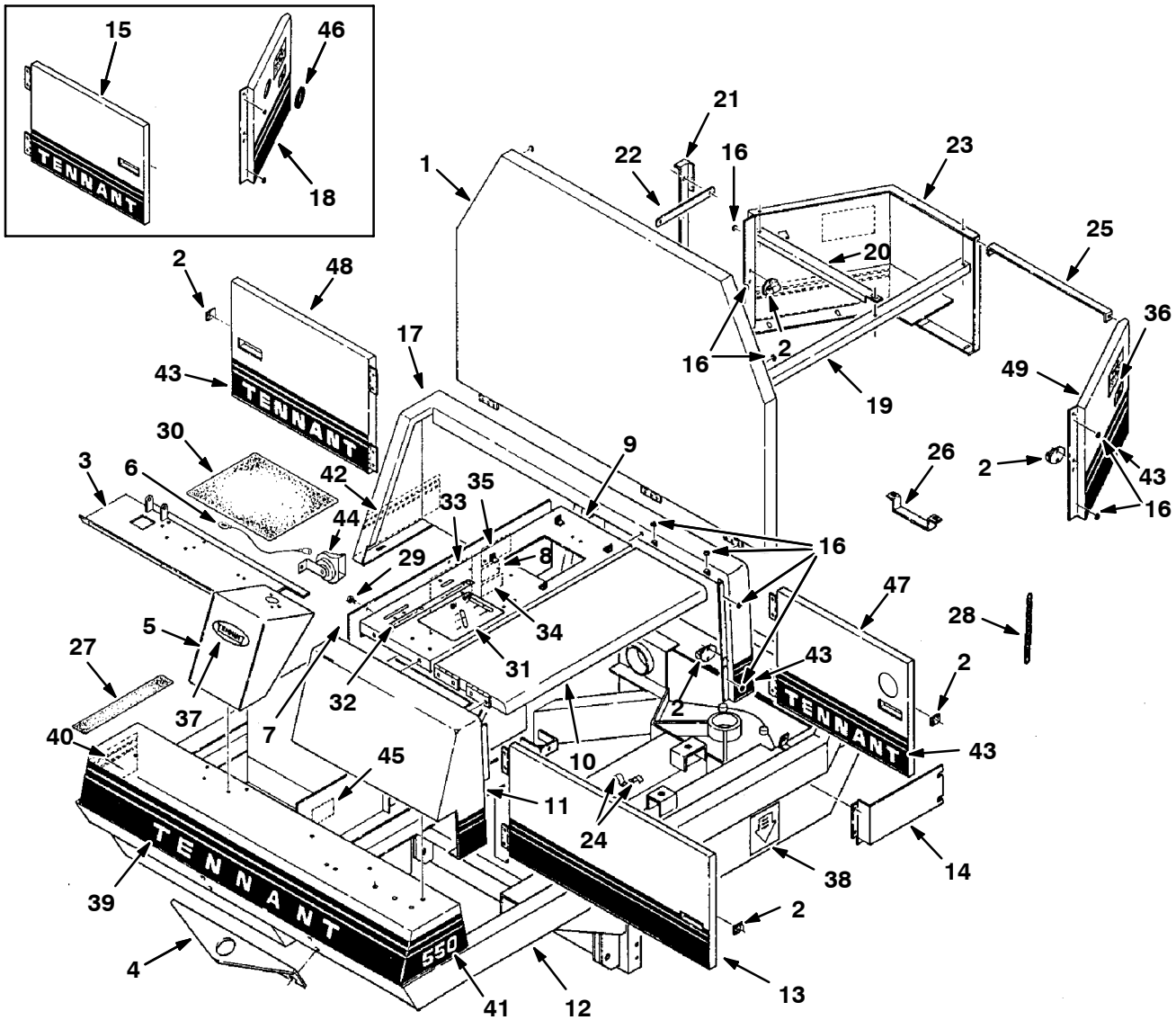


02575 - ALL

Ref.	Part No.	Serial Number	Description	Qty.
1	75718	(001000-) Brush, Polypropylene	2
1	75722	(001000-) Brush, Abrasive Bristle	2

STANDARD PARTS

Fig. 3 - Main Frame Group (001000-001505)



09796 - 1550, NA, G, LP, D

Ref.	Part No.	Serial Number	Description	Qty.
1	76811	(001000-001505)	Door, Engine Cover	1
2	64903	(001000-001505)	Latch, Door	3
3	76640	(001000-001505)	Pan, Floor	1
4	32117	(001000-001505)	Bracket, Tow Bypass	1
5	25186	(001000-001505)	Housing, Steering Column	1
6	70284	(001000-001505)	Wire, Lead	1
▽	7	75244-1	Panel, Side Kick	1
▲	8	37089	Label, Caution, Reduce Travel	1
9	75547	(001000-001423)	Panel, Dash	1
9	392532	(001424-001505)	Panel Wldt, Dash Board	1
10	75268	(001000-001505)	Door Wldt, Access Top (Gas) (Diesel)	1
10	75268	(001000-001423)	Door Wldt, Access Top (LPG)	1
10	392535	(001424-001505)	Door Wldt, Access Top (LPG)	1
11	31668	(001000-001505)	Shroud, Front	1
12	60970	(001000-001505)	Frame, Main Tractor, 1550	1
13	75267	(001000-001505)	Door, Access, Side, L.H.	1

Fig. 3 - Main Frame Group (001000-001505)

Ref.	Part No.	Serial Number	Description	Qty.
14	76650	(001000-001505)	Cover, Governor	1
15	76813	(001000-001402)	Door, Rear Side Access	2
16	51787	(001000-001505)	Bumper, Rubber	12
17	75480A	(001000-001505)	Back Frame	1
▽	18	78104-4	(001000-001402) Shroud, Engine Compartment, L.H.	1
▲	57630	(001000-001402)	Label, Danger, Keep Out Pinch	1
19	32575	(001000-001505)	Brace, Engine Compartment	1
20	76583	(001000-001505)	Support, Brace	1
21	01736	(001000-001505)	Arm, Engine Cover Support	1
	43454	(001000-001505)	Washer, Nylon	3
22	32580	(001000-001505)	Link, Engine Cover Support	1
▽	23	78140-1	(001000-001505) Shroud, Engine Compartment, R.H.	1
▲	57630	(001000-001505)	Label, Danger, Keep Out Pinch	1
24	44031	(001000-001505)	Clamp	1
25	76562	(001000-001505)	Angle, Grille	1
26	76869	(001000-001505)	Bracket, Hose	1
27	75430	(001000-001505)	Pad, Non-skid	1
28	48183	(001000-001505)	Chain, Static Drag	1
	50646	(001000-001505)	Trim, Plastic, Steering Column Housing	4
29	24593	(001000-001505)	Screw, Hex	6
	62595-18	(001000-001505)	Molding, Rigid, 3.0 in (76 mm)	2
30	69571	(001000-001505)	Mat, Floor	1
31	76354	(001000-001505)	Label, Brushes	1
32	76113	(001000-001505)	Label, Throttle and Solution	1
33	76156	(001000-001505)	Label, Maintenance Chart	1
34	61650	(001000-001505)	Label, Tire Pressure	1
35	48242	(001000-001505)	Label, Important	1
36	51368	(001000-001505)	Label, Maintenance Note	1
37	27474	(001000-001505)	Label, TENNANT	1
38	76158	(001000-001505)	Label, Jack At This Point	2
39	75812	(001000-001505)	Label, Stripe, Front	1
40	75813	(001000-001505)	Label, Wing, R.H.	1
41	75814	(001000-001505)	Label, Wing, L.H.	1
42	75810	(001000-001505)	Label, Stripe, Side	2
43	75811	(001000-001505)	Label, Stripe	2
44	369704	(001061-001505)	Horn, 12 Volt	1
45	1008894	(001000-001505)	Label, Patent, Scrubber	1
46	62595-4	(001000-001402)	Molding, Rigid	1
	10632-12	(001000-001505)	Grommet, 0.38 in (10 mm) I.D.	1
	62595-9	(001000-001505)	Molding, Rigid, 17.75 in (450 mm) L	1
47	369749	(001403-001505)	Door, Rear Side Access, L.H.	1
48	76813	(001403-001505)	Door, Rear Side Access, R.H.	1
▽	49	369750	(001403-001505) Shroud, Engine Compartment, L.H.	1
▲	57630	(001403-001505)	Label, Danger, Keep Out Pinch	1

Fig. 4 - Main Frame Group (001508-)

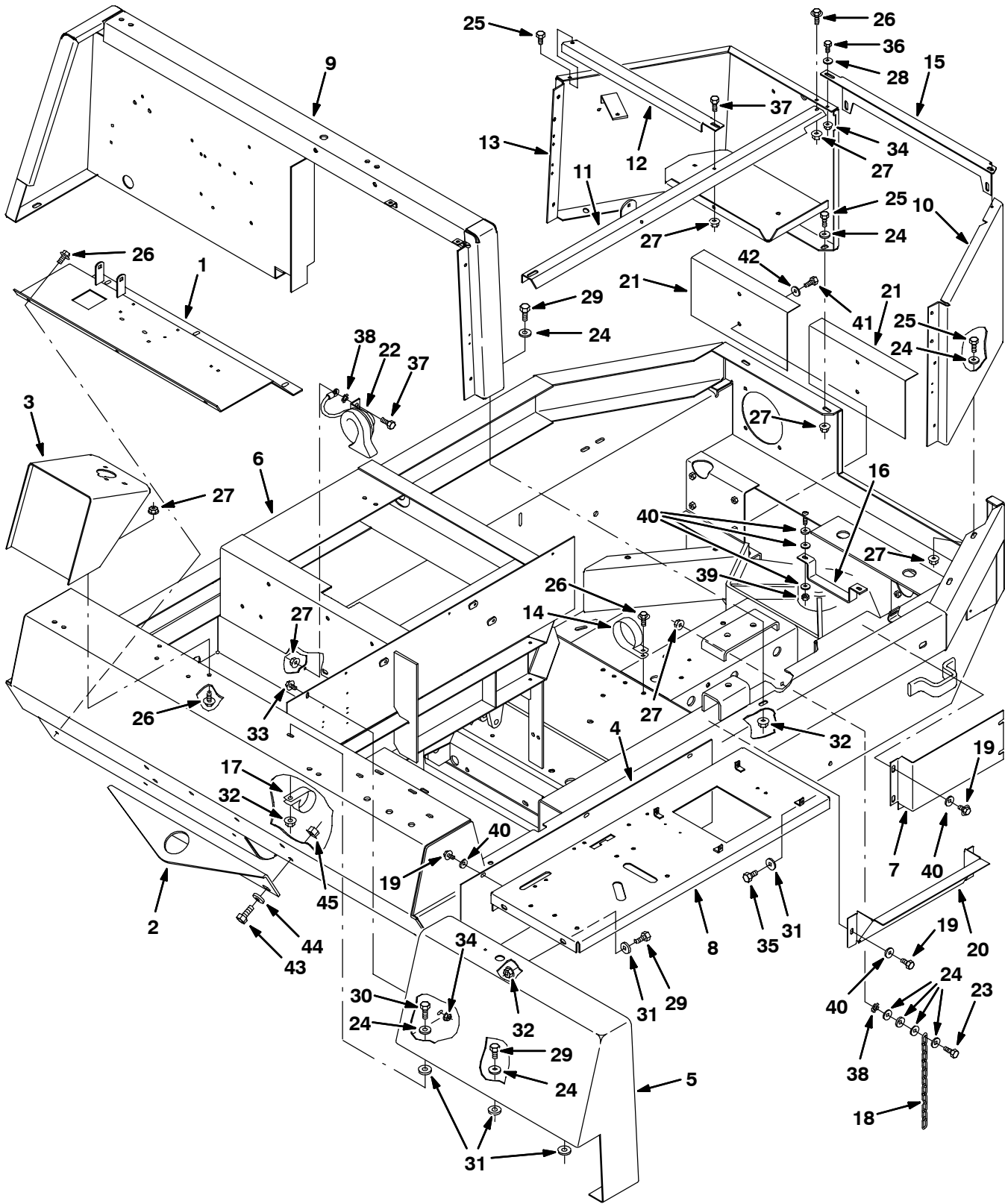


Fig. 4 - Main Frame Group (001508-)

Ref.	Part No.	Serial Number	Description	Qty.
1	76640	(001508-) Pan Wldt, Floor	1
2	32117	(001508-) Bracket, Tie-Down, Rear, [550]	1
3	25186	(001508-) Bracket Wldt, Mtg, Column, Strg (Diesel)	1
3	1017442	(001508-) Bracket Wldt, Steering Column (Gas/Lpg)	1
4	75244-1	(001508-) Panel, Access, Side	1
5	31668	(001508-) Shroud	1
6	1017594	(001508-) Frame Wldt, Tractor [550/1550]	1
7	76650	(001508-) Cover, Access, Governor	1
8	1015517	(001508-) Panel Wldt, Cntrl, Dsl [550]	1
8	392532	(001508-) Panel Wldt, Cntrl (Gas/Lpg)	1
9	75480A	(001508-) Frame Wldt	1
10	9001041	(001508-) Panel, Eng, W / Label	1
11	1015430	(001508-) Brace Wldt, Cover, Eng	1
12	76583	(001508-) Support	1
13	9001039	(001508-) Panel Wldt, Eng, W / Label	1
14	34312	(001508-) Clamp, Cable, Stl, 3.00d X 1.00w, 1h	1
15	1016044	(001508-) Bracket, Shroud, Rear	1
16	76869	(001508-) Bracket, Hose	1
17	41016	(001508-) Clamp, Cable, Stl, 2.25d X 1.00w, 1h	1
18	48183	(001508-) Chain, Coil, Str, 2/0 14.1l 11 Link	1
19	24593	(001508-) Screw, Hex, .25-20 X 0.50, Fmg	14
20	1013129	(001508-) Cover, Starter	1
21	1017231	(001508-) Plate, Eng	2
22	369704	(001508-) Horn, 12vdc, Dbal [Wolo]	1
23	76956	(001508-) Screw, Hex, .31-18 X 1.25, 5	1
24	32491	(001508-) Washer, Flat, 0.31 Std	25
25	76955	(001508-) Screw, Hex, .31-18 X 1.00, 5	7
26	16953	(001508-) Screw, Hex, .31-18 X 0.75, Sems	13
27	27979	(001508-) Nut, Hex, Flng, .31-18	18
28	32483	(001508-) Washer, Flat, 0.25 Sae	2
29	21197	(001508-) Screw, Hex, .38-16 X 1.00, 5	10
30	21198	(001508-) Screw, Hex, .38-16 X 1.25, 5	1
31	32492	(001508-) Washer, Flat, 0.38 Std	7
32	27980	(001508-) Nut, Hex, Flng, .38-16	8
33	16949	(001508-) Screw, Hex, .25-20 X 0.75, Sems	1
34	27978	(001508-) Nut, Hex, Flng, .25-20	9
35	21194	(001508-) Screw, Hex, .38-16 X 0.62, 5	2
36	19317	(001508-) Screw, Hex, .25-20 X 0.75, 5	2
37	76955	(001508-) Screw, Hex, .31-18 X 1.00, 5	2
38	41141	(001508-) Washer, Lock, Int-Ext, .31	2
39	41169	(001508-) Nut, Hex, Lock, .25-20, Nl, Ss	2
40	32490	(001508-) Washer, Flat, 0.25 Std	20
41	54396	(001508-) Screw, Hex, .31-18 X 0.75, 5	4
42	39349	(001508-) Washer, Flat, 0.31 Sae	4
43	39809	(001508-) Screw, Hex, .50-13 X 1.00, 5	2
44	32486	(001508-) Washer, Flat, 0.50 Sae	2
45	27981	(001508-) Nut, Hex, Flng, .50-13	2

Fig. 5 - Main Frame Cover and Door Group (001508-)

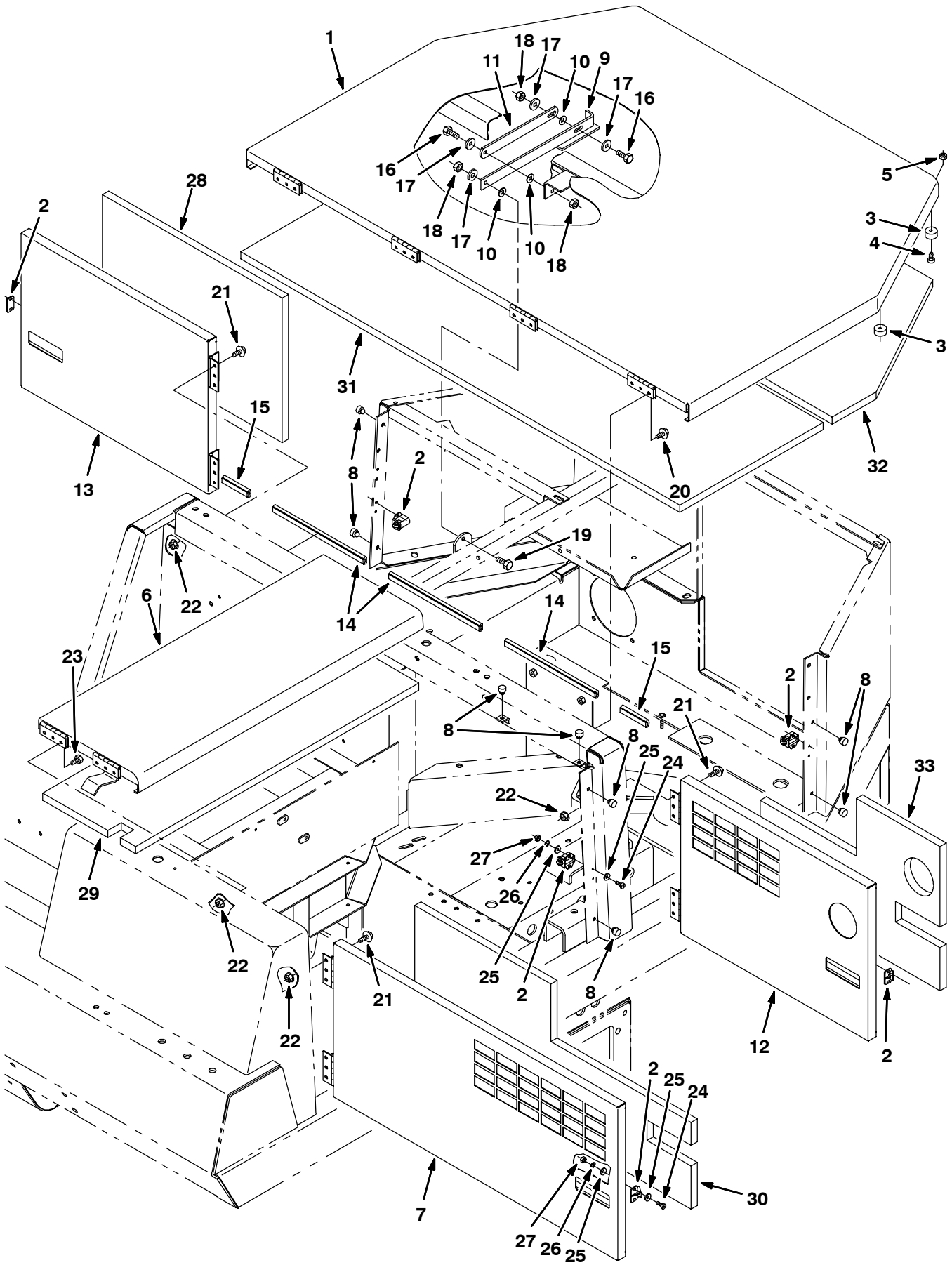
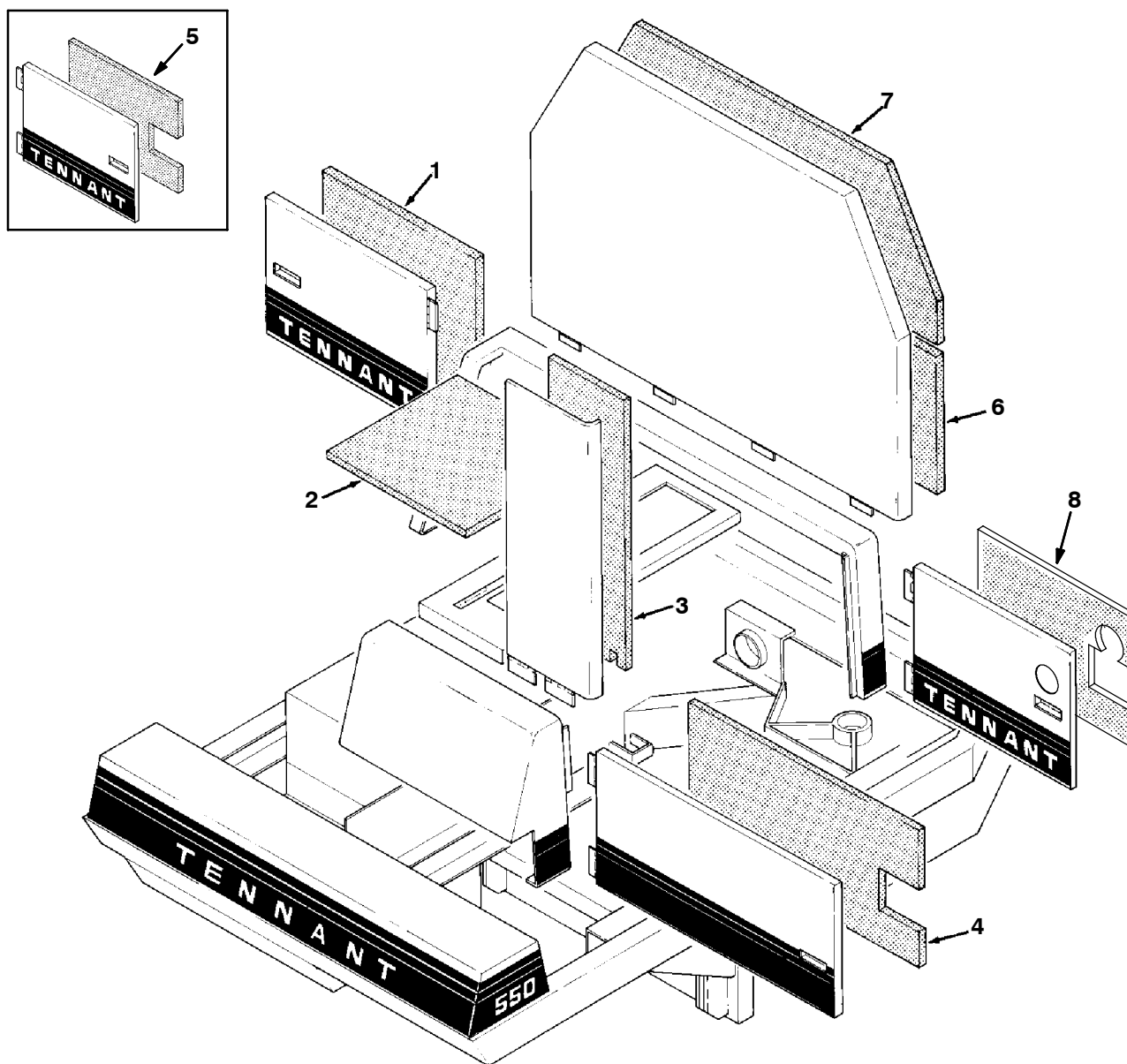


Fig. 5 - Main Frame Cover and Door Group (001508-)

Ref.	Part No.	Serial Number	Description	Qty.
1	76811	(001508-) Door Wldt, Eng, Top, [1550]	1
2	64903	(001508-) Catch, Door, Roller	3
3	82921	(001508-) Bumper, Rbr, 1.0d 0.50t 0.22h	4
4	39650	(001508-) Screw, Pan, #10-24 X 0.62, 1	4
5	45181	(001508-) Nut, Hex, Lock, #10-24, NI	4
6	75268	(001508-) Door Wldt, Access, Top, Lh (Gas) (Diesel)	1
6	392535	(001508-) Door Wldt, Access, Top, Lh (LPG)	1
7	1017573	(001508-) Door Wldt, Access, Front, Lh	1
8	51787	(001508-) Bumper, Rbr, 0.6d 0.34t .3d Tip	8
9	01736	(001508-) Arm Wldt, Safety, Door, Eng	1
10	43454	(001508-) Washer, Flat, 0.34b 0.69d .06, Nyl	3
11	32580	(001508-) Link, .19 1.0w 09.2l 1/0.3h 1/0.3s	1
12	1017358	(001508-) Door Wldt, Access, Side, Lh	1
13	1017600	(001508-) Door Wldt, Access, Side, Rh	1
14	1018451	(001508-) Seal, Bulb, Str, 0.38th 0.75w 10.75l Adh	3
15	1018449	(001508-) Seal, Bulb, Str, 0.38th 0.75w 03.0l Adh	2
16	76956	(001508-) Screw, Hex, .31-18 X 1.25, 5	2
17	32491	(001508-) Washer, Flat, 0.31 Std	4
18	32983	(001508-) Nut, Hex, Lock, .31-18, NI	3
19	76955	(001508-) Screw, Hex, .31-18 X 1.00, 5	1
20	24594	(001508-) Screw, Hex, .25-20 X 0.75, Fmg	8
21	16949	(001508-) Screw, Hex, .25-20 X 0.75, Sems	12
22	27978	(001508-) Nut, Hex, Fmg, .25-20	12
23	19317	(001508-) Screw, Hex, .25-20 X 0.75, 5	4
24	19321	(001508-) Screw, Pan, #06-32 X 0.50, 1	12
25	19064	(001508-) Washer, Flat, #06	24
26	32975	(001508-) Washer, Lock, Int, #06	12
27	19309	(001508-) Nut, Hex, Std, #06-32	12
28	1017731	(001508-) Insulation, Acstc, 0.8 14.8w 21.3l	1
29	76867	(001508-) Insulation, Acstc, 0.8 11.0w 33.6l Notch	1
30	1017736	(001508-) Insulation, Acstc, 0.8 14.8w 32.8l	1
31	76866	(001508-) Insulation, Acstc, 0.8 17.0w 52.1l Notch	1
32	78012	(001508-) Insulation, Acstc, Cover, Eng	1
33	1017734	(001508-) Insulation, Acstc, 0.8 14.8w 21.3l	1

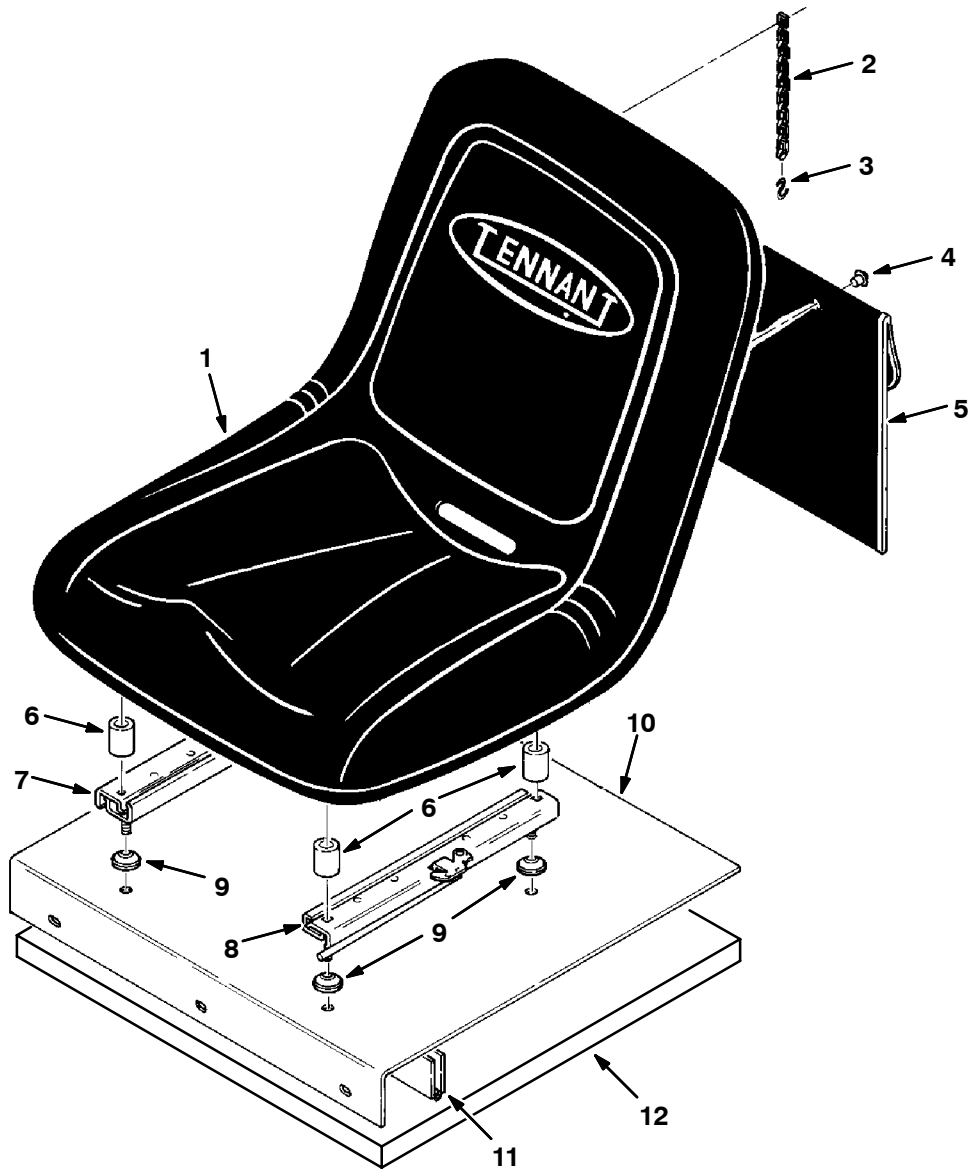
Fig. 6 - Main Frame Noise Insulation Group (001000-001505)



00314 - 550, 1550

Ref.	Part No.	Serial Number	Description	Qty.
1	76864	(001000-001505)	Insulation, Side Door, R.H.	1
2	76870	(001000-001505)	Insulation, Seat	1
3	76867	(001000-001505)	Insulation, Top, Hydraulic Tank Door	1
4	76868	(001000-001505)	Insulation, Front, Side Door, L.H.	1
5	76864	(001000-001402)	Insulation, Rear, Side Door, L.H.	1
6	76866	(001000-001505)	Insulation, Engine Access Door	1
7	78012	(001000-001505)	Insulation, Engine Access Door	1
8	369748	(001403-001505)	Insulation, Rear, Side Door, L.H.	1

Fig. 7 - Seat Group



02365 - 550, 1550, NA

Ref.	Part No.	Serial Number	Description	Qty.
1	79605	(001000-) Seat	1
2	43203	(001000-) Chain	1
3	43363	(001000-) Hook, S	1
4	68567	(001000-) Rivet, Pop	2
5	48790	(001000-) Pouch, Operator's Manual 7.5 in (190mm)	1
6	02997	(001000-) Sleeve	4
7	51459	(001000-) Adjuster, Seat	1
8	51458	(001000-) Adjuster Assembly, Seat	1
9	52615	(001000-) Spacer, Seat Adjuster	4
10	16669	(001000-) Plate, Seat Mount	1
11	75272	(001000-) Hinge, Seat	1
12	76870	(001000-) Insulation, Acstc, 0.8, 20.3 X 19.3	1

Fig. 8 - Scrub Head Lift Group

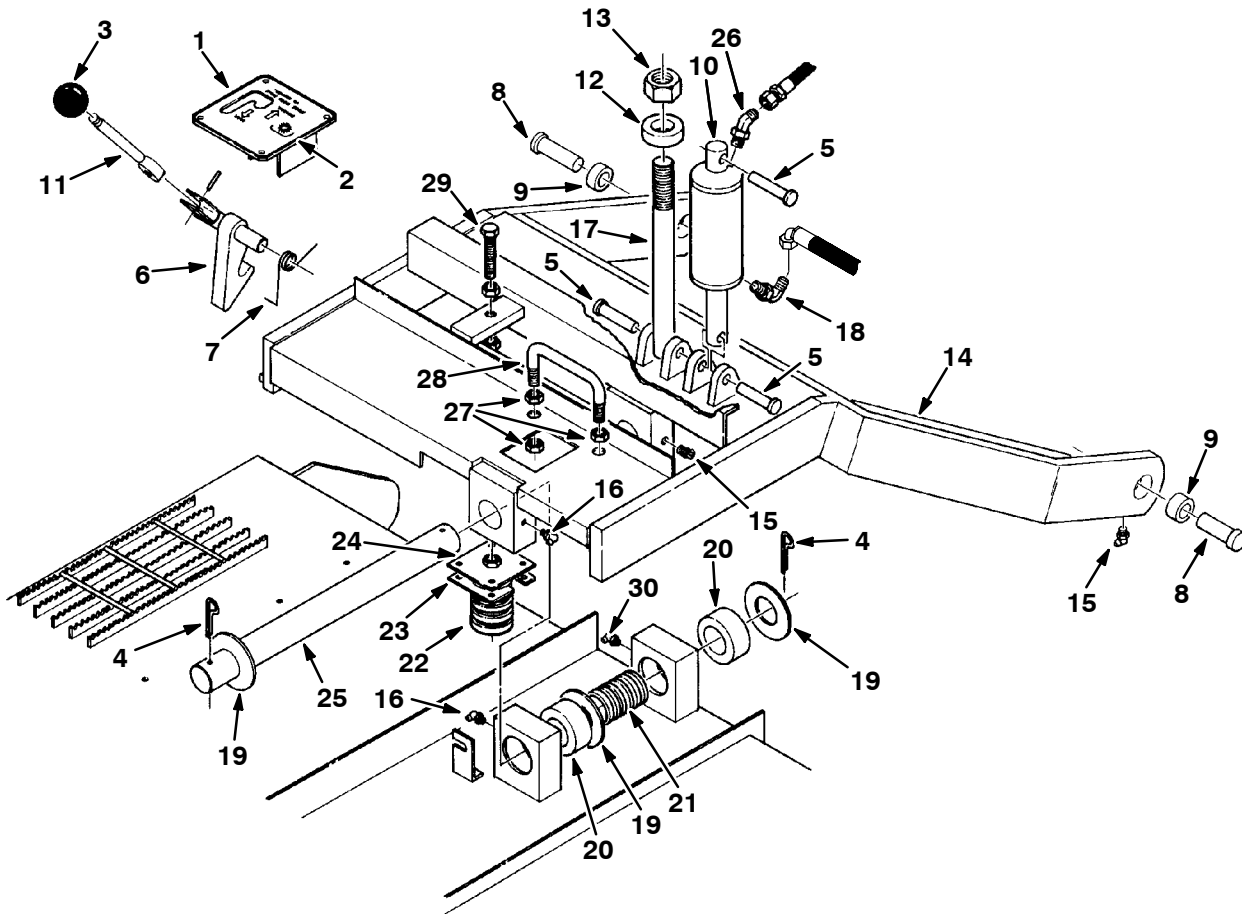
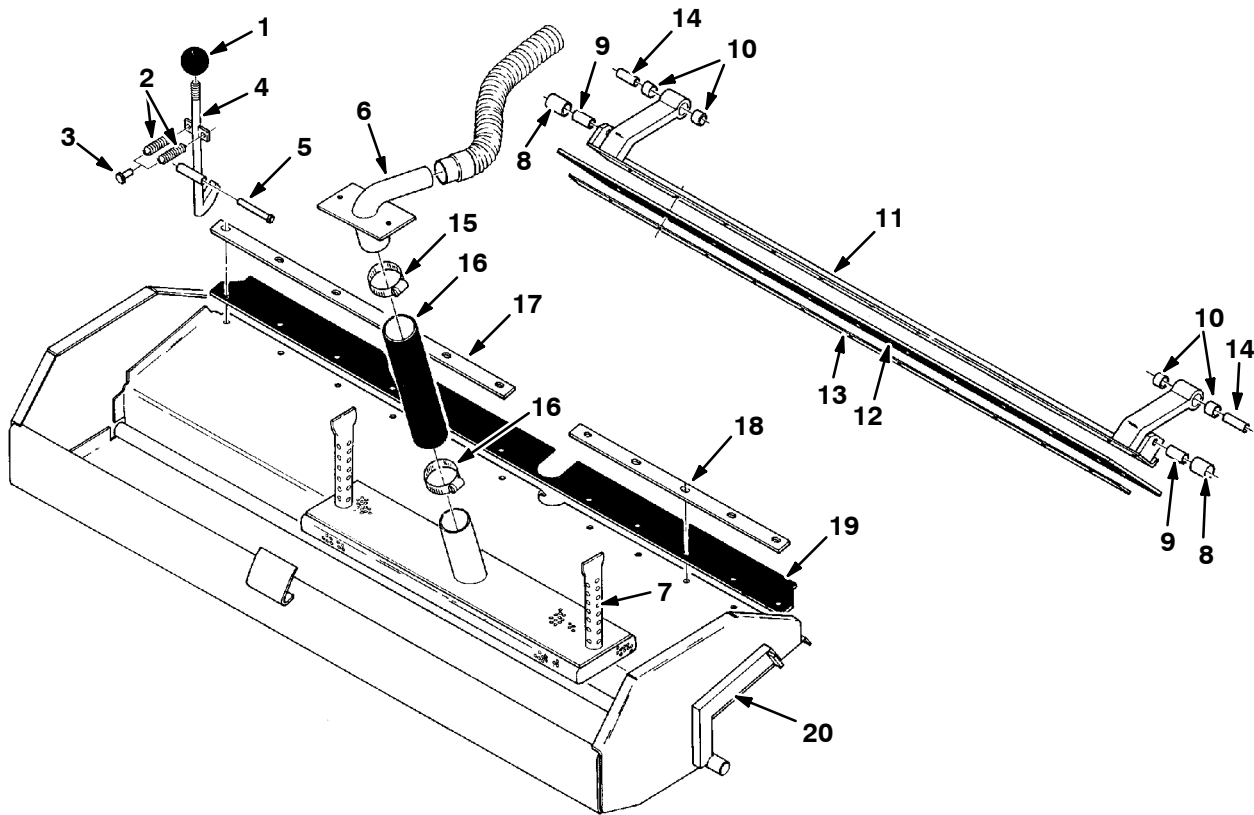


Fig. 8 - Scrub Head Lift Group

Ref.	Part No.	Serial Number	Description	Qty.
1	76063	(001000-) Label, Headlock	1
2	76628	(001000-) Cover, Headlock	1
3	26565	(001000-) Knob	1
4	08174	(001000-) Pin, Cotter, .375 X 3.00, Stl	2
5	06279	(001000-) Pin, Clevis, 0.50 D X 2.50l	3
6	25219	(001000-) Pivot, Headlock	1
7	78078	(001000-) Spring	1
8	04733-12	(001000-) Pin, Clevis	2
9	42120	(001000-) Bearing	2
10	1028058	(001000-) Cylinder, Hyd, 2.0b 08.0l 04.00strk 2500	1
11	25220	(001000-) Lever	1
12	15398	(001000-) Sleeve	1
13	02589	(001000-) Nut, Nylon	1
14	75627	(001000-) Lift, Scrubber Head	1
15	11716	(001000-) Fitting, Grease, 45°	3
16	11048	(001000-) Fitting, Grease	2
17	75622	(001000-) Stud	1
18	77097	(001000-) Fitting, Elbow	1
19	39348	(001000-) Washer	3
20	42120-9	(001000-) Bearing	2
21	75617	(001000-) Spring	1
22	40846	(001000-) Spring	1
23	75766	(001000-) Plate, Mounting	1
24	75764	(001000-) Plate	1
25	75616	(001000-) Shaft, Pivot	1
26	34359	(001000-) Fitting, Elbow, 45°	1
27	32524	(001000-) Nut	4
28	48901	(001000-) U-Bolt	1
29	53963A	(001000-) Screw, Hex	1
30	06418	(001000-) Fitting, Grease	1

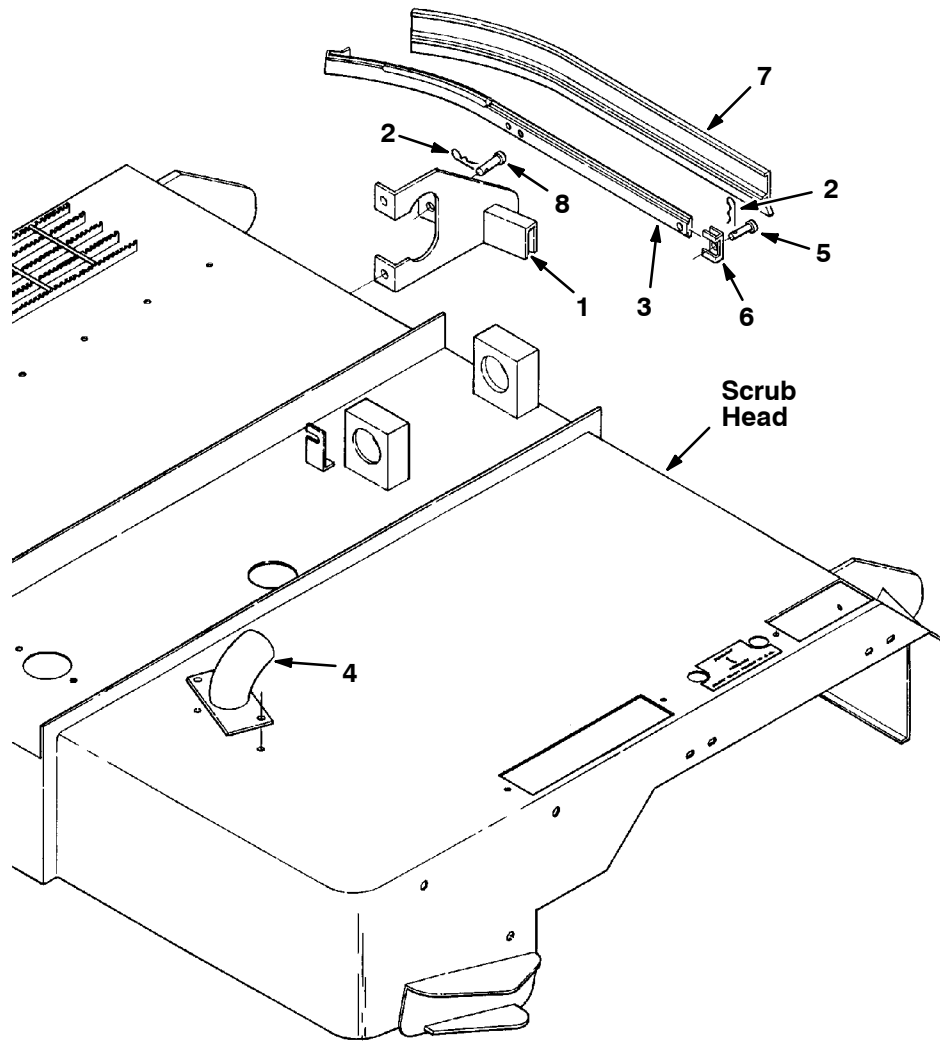
Fig. 9 - Scrub Head Hopper Group



06921 - 1550

Ref.	Part No.	Serial Number	Description	Qty.	
1	26156	(001000-) Knob	1	
2	75575	(001000-) Spring	2	
3	46800	(001000-) Pin, Clevis	1	
4	75530	(001000-) Latch, Hopper	1	
5	23191	(001000-) Pin, Clevis	1	
6	75607	(001000-) Nozzle, Hopper	1	
7	79301	(001000-) Nozzle, Suction	1	
▽	75634	(001000-) Deflector Assembly, Scrub Brush	1	
▲	8	75642	(001000-) Bearing, Sleeve	2
▲	9	75636	(001000-) Sleeve	2
▲	10	75681	(001000-) Bearing	4
▲	11	75638	(001000-) Deflector, Scrub Brush	1
▲	12	75649	(001000-) Skirt, Deflector	1
▲	13	75648	(001000-) Retainer, Deflector Skirt	1
▲	14	75643	(001000-) Sleeve	2
15	22297	(001000-) Clamp, Worm Drive	2	
16	50845	(001000-) Hose, Hopper	1	
▽	75569	(001000-) Hopper Assembly	1	
▲	17	75571	(001000-) Retainer, Hopper Lip	1
▲	18	75572	(001000-) Retainer, Hopper Lip	1
▲	19	75570	(001000-) Lip, Hopper	1
▲	20	75550	(001000-) Hopper, Debris	1

Fig. 10 - Scrub Head Rear Squeegee Group



06941 - 1550

Ref.	Part No.	Serial Number	Description	Qty.
1	61626	(001000-) Bracket, R.H.	1
	61623	(001000-) Bracket, L.H. (not shown)	1
2	44906	(001000-) Pin, Hair	4
3	61624	(001000-) Frame, Squeegee	2
4	61638	(001000-) Diffuser, Vacuum, 1550	1
5	69582	(001000-) Pin, Clevis	2
6	86759	(001000-) Retainer, Squeegee	2
7	61625	(001000-) Squeegee, Windrow	2
8	29558	(001000-) Pin, Clevis	2

Fig. 11 - Scrub Head Right Side Squeegee Assembly

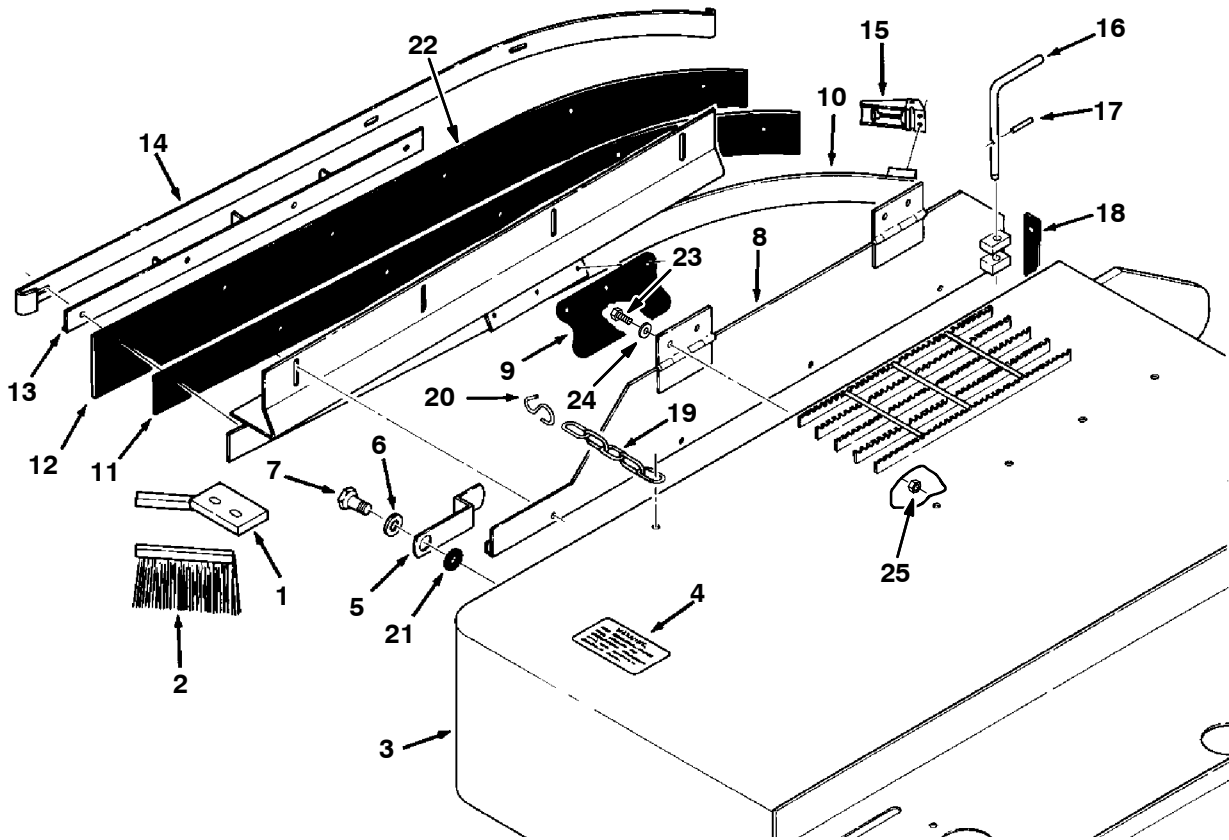


Fig. 11 - Scrub Head Right Side Squeegee Assembly

Ref.	Part No.	Serial Number	Description	Qty.
▽	75712	(001000-) Deflector Assembly, Brush	1
▲	1 75702	(001000-) Retainer, Brush	1
▲	2 75711	(001000-) Brush	1
▽	3 03402	(001000-) Frame, Scrubber Head	1
▲	4 40575	(001000-) Label, Warning, Use Scrubber	2
	5 75757	(001000-) Latch, Door	1
	6 32486	(001000-) Washer	1
	7 39810	(001000-) Screw, Hex	1
▽	75790	(001000-) Squeegee Assembly, Right Side	1
▲	8 75791	(001000-) Door, Squeegee	1
▲	9 59617	(001000-) Flap, Containment	1
▲	10 75788	(001000-) Frame, Side Squeegee, R.H.	1
▲	11 75799	(001000-) Strip, Backup	1
▲	12 60015	(001000-) Blade, Squeegee	1
▲	13 75588	(001000-) Bracket, Bridge	1
▲	14 75592	(001000-) Band, Squeegee, Retaining	1
▲	15 87579	(001000-) Latch, Cam Lock Band	1
▲	16 75528	(001000-) Pin, Door Locking	1
▲	17 11476	(001000-) Pin, Roll	1
	18 75740	(001000-) Guard, Splash	1
▽	40759	(001000-) Chain and Hook Assembly	1
▲	19 40758	(001000-) Chain	1
▲	20 40646	(001000-) Hook, Chain	1
	21 59633	(001000-) Bearing, Thrust	2
	22 78562	(001000-) Blade, Squeegee, Urethane	1
	23 69225	(001000-) Screw, Hex, .38-16 X 1.00, Ss	4
	24 01686	(001000-) Washer, Flat, 0.44b 1.00d .08, Ss	4
	25 01692	(001000-) Nut, Hex, Std, .38-16, Ss	4

Fig. 12 - Scrub Head Left Side Squeegee Assembly

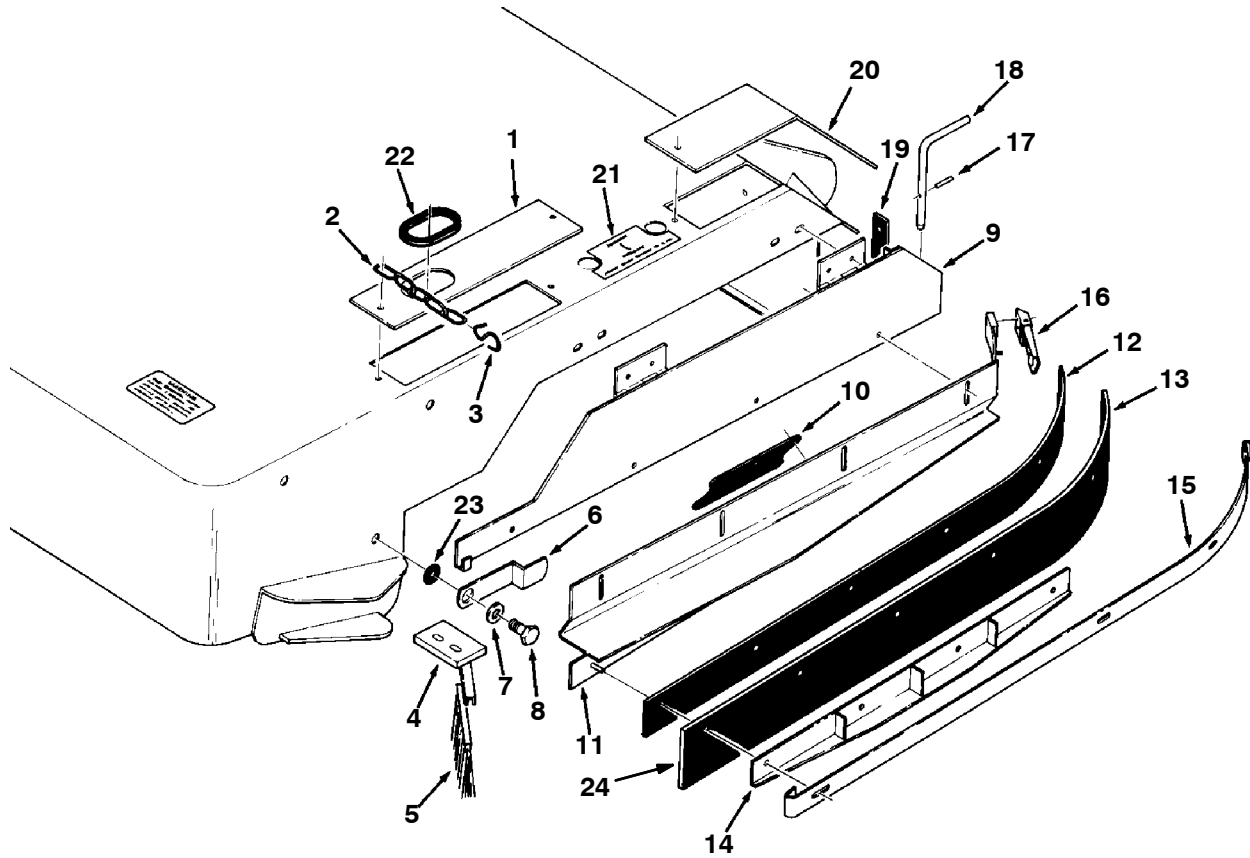


Fig. 12 - Scrub Head Left Side Squeegee Assembly

Ref.	Part No.	Serial Number	Description	Qty.
	1	31634	(001000-) Strip, Cover	1
▽		40759	(001000-) Chain, Assembly, Door	1
▲	2	40758	(001000-) Chain	1
▲	3	40646	(001000-) Hook	1
▽		75713	(001000-) Deflector Assembly, Brush, L.H.	1
▲	4	75703	(001000-) Retainer, Brush	1
▲	5	75711	(001000-) Brush	1
	6	75757	(001000-) Latch, Door	1
	7	32486	(001000-) Washer	1
	8	39810	(001000-) Screw, Hex	1
▽		75795	(001000-) Squeegee Assembly, Left Side	1
▲	9	75796	(001000-) Door, Squeegee, L.H.	1
▲	10	59617	(001000-) Flap, Containment	1
▲	11	75789	(001000-) Frame, Side Squeegee, L.H.	1
▲	12	75799	(001000-) Strip, Backup	1
▲	13	60015	(001000-) Blade, Squeegee	1
▲	14	75588	(001000-) Bracket, Bridge	1
▲	15	75592	(001000-) Band, Squeegee, Retaining	1
▲	16	87579	(001000-) Latch, Cam Lock Band	1
▲	17	11476	(001000-) Pin, Roll	1
▲	18	75528	(001000-) Pin, Door Locking	1
	19	75740	(001000-) Guard, Splash	1
	20	76677	(001000-) Strip, Cover	1
	21	76066	(001000-) Label, Brush Pressure	1
	22	10632-19	(001000-) Grommet	1
	23	59633	(001000-) Bearing, Thrust	2
	24	78562	(001000-) Blade, Squeegee, Urethane	1

Fig. 13 - Scrub Head Solution Control Group

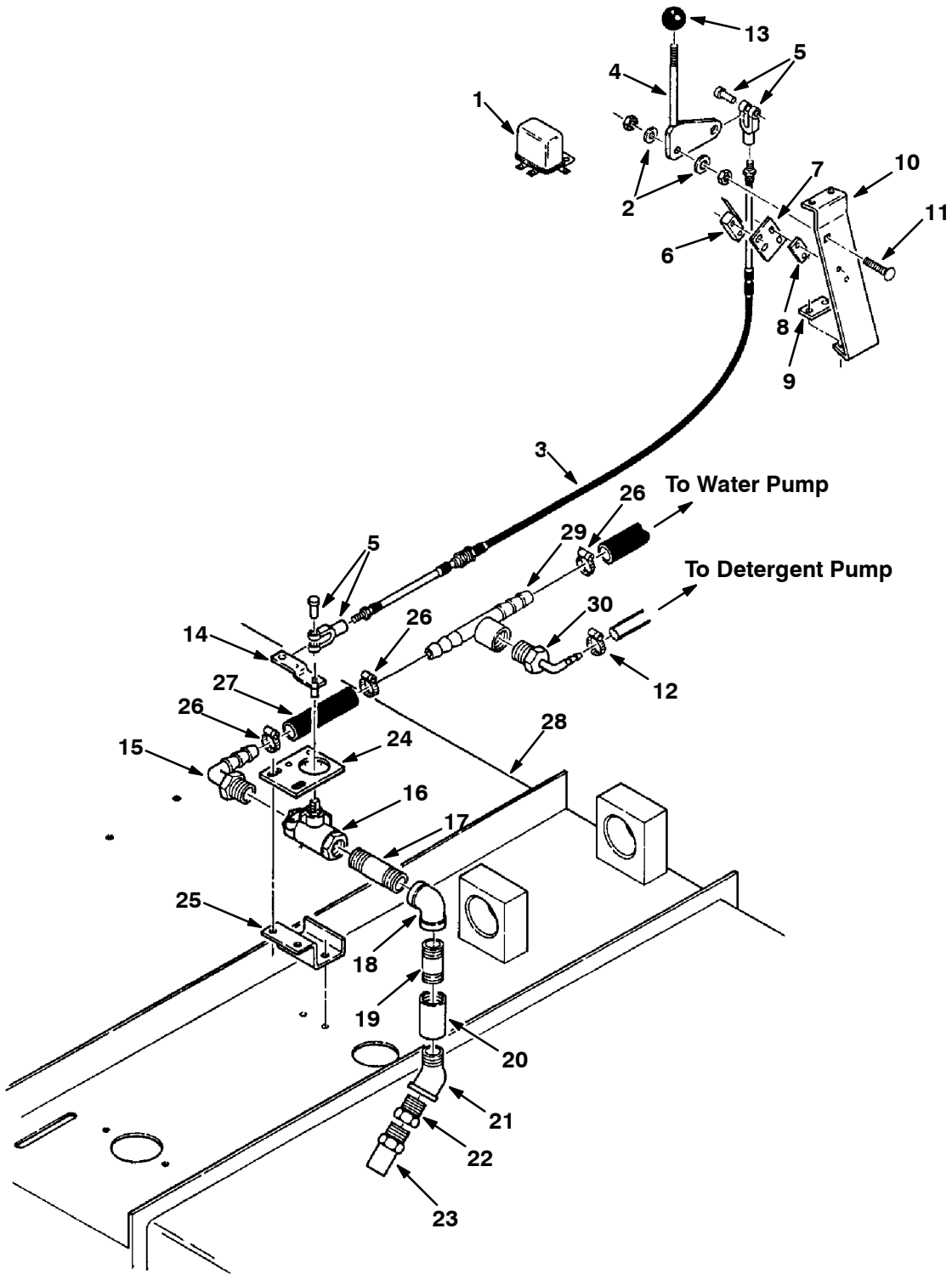


Fig. 13 - Scrub Head Solution Control Group

Ref.	Part No.	Serial Number	Description	Qty.
	1	57804	(001000-) Relay	1
▽	02819	(001000-)	Lever Assembly, Solution Control	1
▲	2	52296	(001000-) Washer, Nylon	2
▲	3	75314	(001000-) Cable, Control	1
▲	4	08791	(001000-) Bellcrank	1
▲	5	41063	(001000-) Clevis and Pin	2
▲	6	1008142	(001000-) Switch, Snap Actn, 250vdc 25a Spdt	1
▲	7	02817	(001000-) Bracket, Switch	1
▲	8	02818	(001000-) Spacer, Switch	1
▲	9	23515	(001000-) Strip	1
▲	10	75319	(001000-) Bar, Mounting	1
▲	11	56903	(001000-) Bolt, Carriage	1
	12	54333	(001000-) Clamp, Worm Drive	1
	13	26565	(001000-) Knob	1
	14	12072	(001000-) Arm, Control	1
	15	14877	(001000-) Fitting, Elbow	1
	16	79350	(001000-) Valve, Ball, 12pf Brs [Rwk 374249]	1
	17	29035	(001000-) Fitting, Nipple	1
	18	23563	(001000-) Fitting, Elbow	1
	19	11442-7	(001000-) Fitting, Nipple	1
	20	07484	(001000-) Fitting, Coupling	1
	21	11870	(001000-) Fitting, Elbow, 45°	1
	22	11442-8	(001000-) Fitting, Straight	1
	23	79606	(001000-) Nozzle	1
	24	12074	(001000-) Plate, Valve Mounting	1
	25	75802-1	(001000-) Bracket	1
	26	11399	(001000-) Clamp, Worm Drive	3
	27	75197	(001000-) Hose, Rubber	1
▽	28	03402	(001000-) Frame, Scrubber Head	1
▲	40575	(001000-)	Decal, Warning, Lock Scrubber Head	2
		02586	(001000-) Label, Instruction, Pump Lever Model	1
		31260	(001000-) Label, Instruction, Pump Prime	1
	29	02446	(001000-) Fitting, Tee	1
	30	79484	(001000-) Fitting, Elbow	1

Fig. 14 - Scrub Head Front Brush Drive Components Group

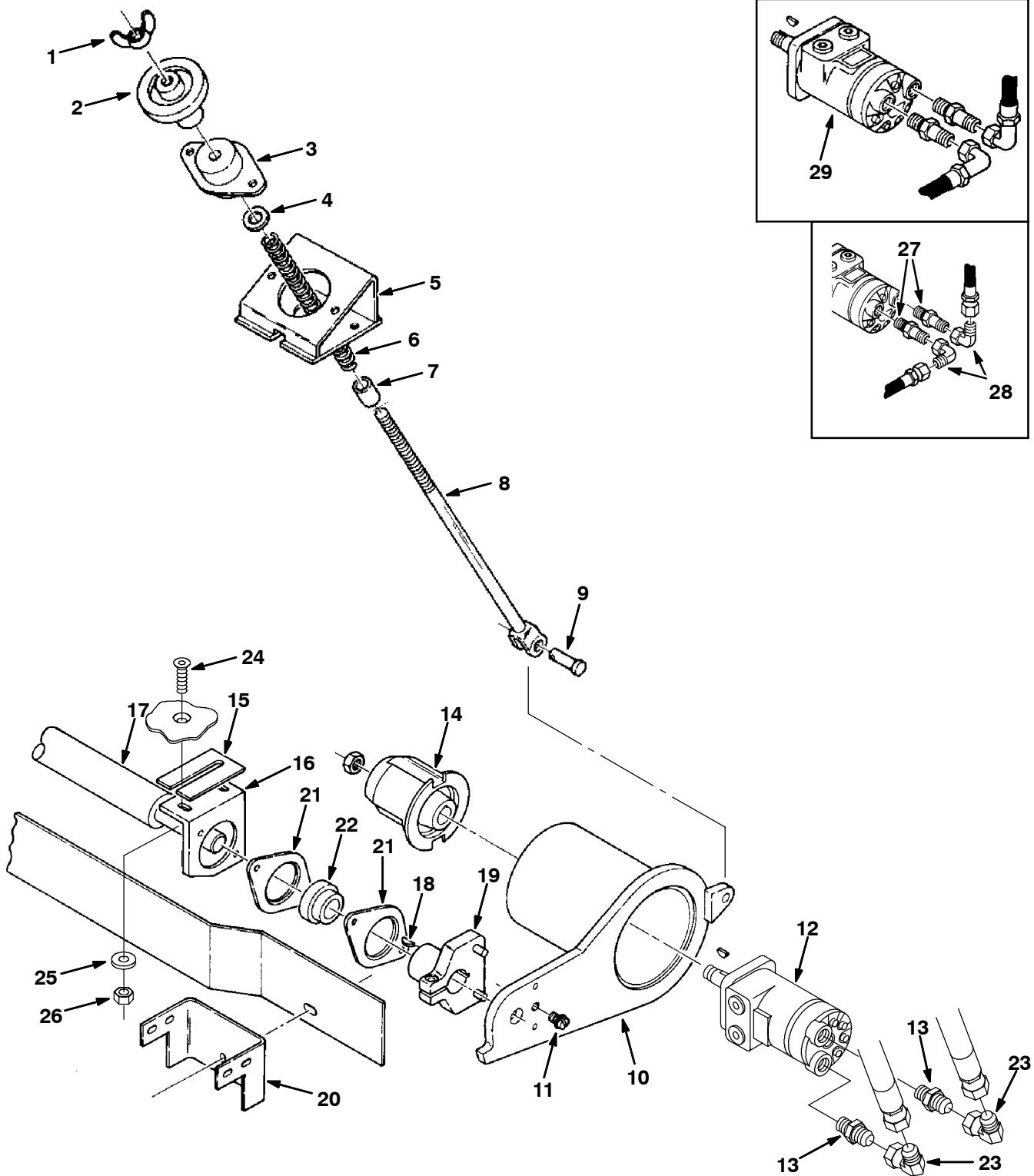
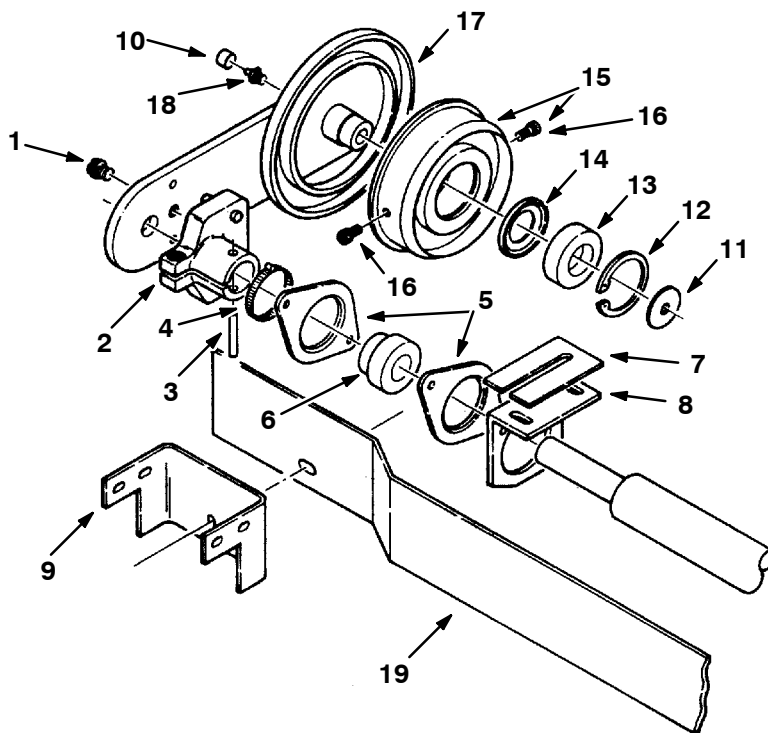


Fig. 14 - Scrub Head Front Brush Drive Components Group

Ref.	Part No.	Serial Number	Description	Qty.	
1	39274	(001000-) Lock, Knob, Adjusting	1	
2	51452	(001000-) Knob, Adjusting	1	
3	75768	(001000-) Isolator, Vibration	1	
4	32493	(001000-) Washer	1	
5	75769	(001000-) Bracket, Mounting	1	
6	75773	(001000-) Spring	1	
7	75772	(001000-) Sleeve	1	
8	06573	(001000-) Link, Brush Lift	1	
9	75520	(001000-) Pin, Clevis	1	
10	76667	(001000-) Arm, Brush Drive	1	
11	51938	(001000-) Plug, Plastic	1	
12	61489	(001000-) Motor, Hydraulic (See Breakdowns)	1	
13	47518	(001104-) Fitting, Straight	2	
14	76568	(001000-) Plug, Brush Drive	1	
15	75600	(001000-) Shim, Bracket, 0.12" (3 mm)	3	
	76218	(001000-) Shim, Bracket, 0.06" (1.5 mm)	1	
16	42499	(001000-) Bracket, Bearing, L.H.	1	
▽	75761	(001000-) Shaft Assembly, Brush	1	
▲	17	75786	(001000-) Shaft, Brush	1
▲	18	00500-20	(001000-) Key, Woodruff	1
▲	19	75780	(001000-) Hub, Brush	1
	20	75760	(001000-) Channel, Bearing Cover	1
	21	42126	(001000-) Flange, Bearing	2
	22	51448	(001000-) Bearing	1
	23	54194	(001352-) Fitting, Elbow	2
	24	54861	(001000-) Screw, Flt, Soc, .38-16 X 1.50, Al	4
	25	01686	(001000-) Washer, Flat, 0.44b 1.00d .08, Ss	4
	26	59156	(001000-) Nut, Hex, Lock, .38-16, Ni, Ss	4
	27	31605	(001000-001103)	Fitting, Straight	2
	28	17980	(001000-001103)	Fitting, Elbow	2
	29	27792	(001000-001055)	Motor, Hydraulic (Replaced by 61489) (See Breakdowns)	1

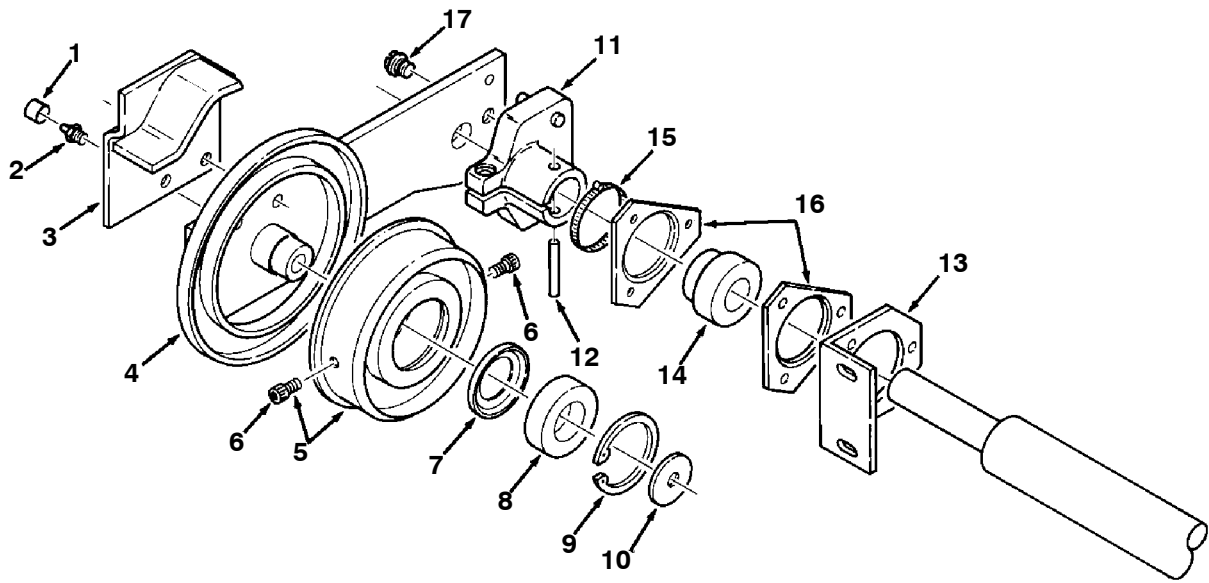
Fig. 15 - Scrub Head Front Brush Idler Assembly



00320 - ALL

Ref.	Part No.	Serial Number	Description	Qty.	
1	51938	(001000-) Plug, Plastic	1	
▽	75761	(001000-) Shaft Assembly, Brush	1	
▲	2	75781	(001000-) Hub, Brush	1
▲	3	51317	(001000-) Pin, Roll	1
4	22297	(001000-) Clamp, Worm Drive	1	
5	42126	(001000-) Flange, Bearing	2	
6	51448	(001000-) Bearing	1	
7	75600	(001000-) Shim, Bearing Bracket, 0.12" (3 mm)	3	
	76218	(001000-) Shim, Bearing Bracket, 0.06" (1.5 mm)	1	
8	42498	(001000-) Bracket, Bearing, R.H.	1	
9	75760	(001000-) Channel, Bearing Cover	1	
▽	75656	(001000-) Idler Assembly, Front Scrub Brush	1	
▲	10	40390	(001000-) Cover, Grease Fitting	1
▲	11	51564	(001000-) Washer	1
▲	12	51046	(001000-) Ring, Retaining	1
▲	13	41032	(001000-) Bearing	1
▲	14	40076	(001000-) Shield, Bearing	1
▲▽	15	40999A	(001000-) Plug, Brush Idler	1
▲▲	16	02984	(001000-) Screw, Socket	2
▲	17	75657	(001000-) Arm, Front Brush Idler	1
▲	18	06418	(001000-) Fitting, Grease	1
▲	36328	(001000-) Washer, Belleville	1	
19	25195	(001000-) Deflector	1	

Fig. 16 - Scrub Head Rear Brush Idler Assembly



00320 - ALL

Ref.	Part No.	Serial Number	Description	Qty.
▽	75654	(001000-) Idler Assembly, Rear Brush	1
▲	1 40390	(001000-) Cover, Grease Fitting	1
▲	2 06418	(001000-) Fitting, Grease	1
▲	3 75631	(001000-) Slide, R.H.	1
▲	4 75655	(001000-) Arm, Rear Brush Idler	1
▲▽	5 40999A	(001000-) Plug, Brush Idler	1
▲▲	6 02984	(001000-) Screw, Socket	2
▲	7 40076	(001000-) Shield, Bearing	1
▲	8 41032	(001000-) Bearing	1
▲	9 51046	(001000-) Ring, Retaining	1
▲	10 51564	(001000-) Washer	1
▲	36328	(001000-) Washer, Belleville	1
▽	75761	(001000-) Shaft Assembly, Brush	1
▲	11 75781	(001000-) Hub, Brush	1
▲	12 51317	(001000-) Pin, Roll	1
	13 42639	(001000-) Bracket, Bearing	1
	14 51448	(001000-) Bearing	1
	15 22297	(001000-) Clamp, Worm Drive	1
	16 51449	(001000-) Flange, Bearing	2
	17 51938	(001000-) Plug, Plastic	1

Fig. 17 - Scrub Head Rear Brush Drive Components Group

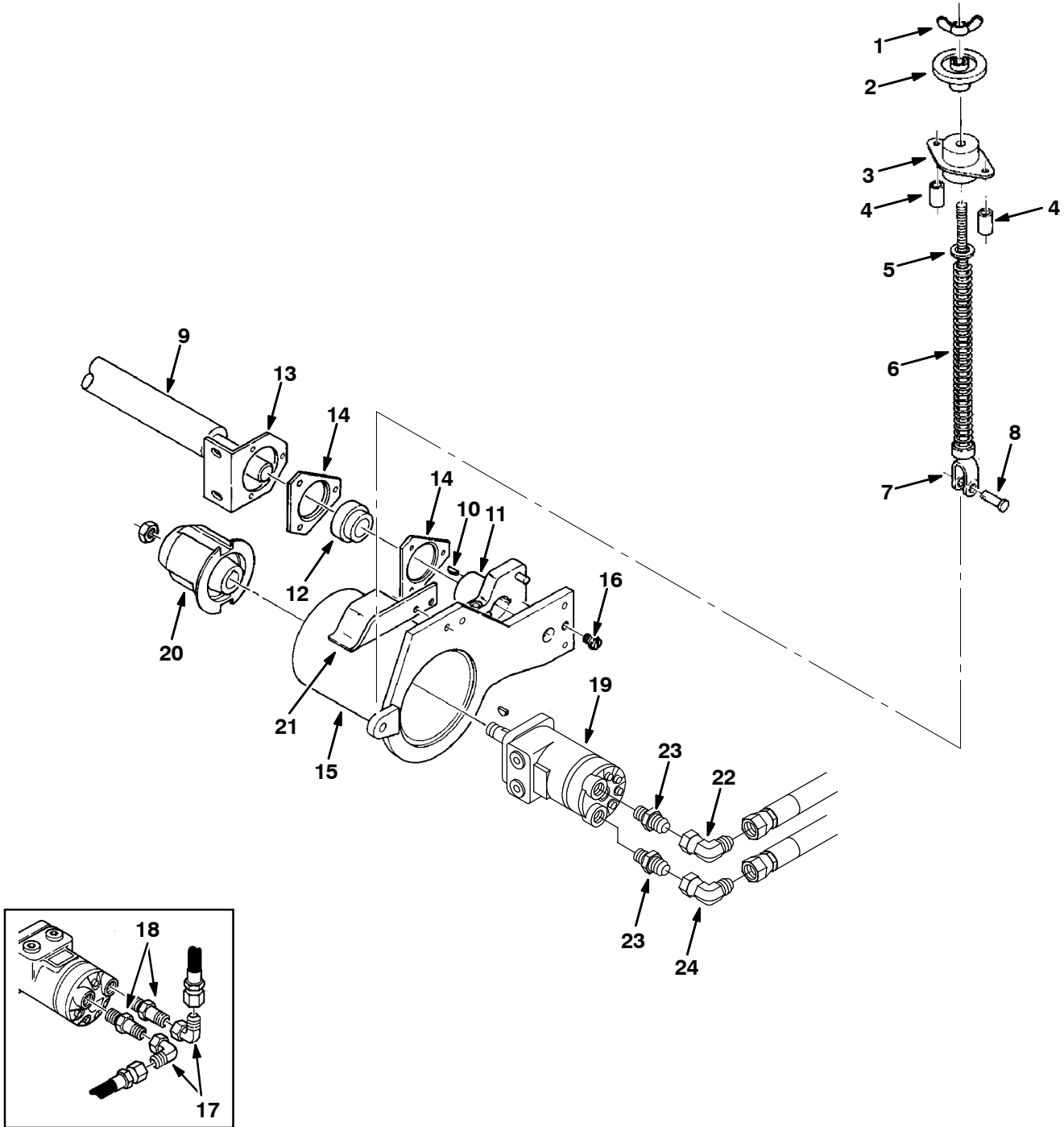
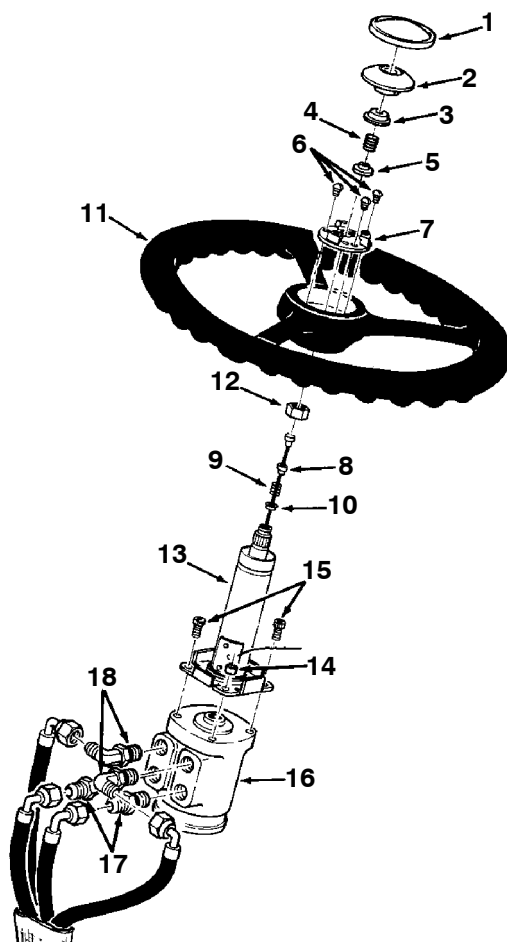


Fig. 17 - Scrub Head Rear Brush Drive Components Group

Ref.	Part No.	Serial Number	Description	Qty.	
1	39274	(001000-) Lock, Knob Adjusting	1	
2	51452	(001000-) Knob, Brush Adjusting	1	
3	75768	(001000-) Isolator, Vibration	1	
4	75772	(001000-) Spacer, Isolator	2	
5	32493	(001000-) Washer	1	
6	75774	(001000-) Spring	1	
7	06573	(001000-) Link, Brush Lift	1	
8	75520	(001000-) Pin, Clevis	1	
▽	75761	(001000-) Shaft Assembly, Brush	1	
▲	9	75786	(001000-) Shaft, Brush	1
▲	10	00500-20	(001000-) Key, Woodruff	1
▲	11	75780	(001000-) Hub, Brush Drive	1
12	51448	(001000-) Bearing	1	
13	42639	(001000-) Bracket, Bearing Mount	1	
14	51449	(001000-) Flange, Bearing	2	
15	76665	(001000-) Arm, Brush Drive	1	
16	51938	(001000-) Plug, Plastic	1	
17	17980	(001000-001103) Fitting, Elbow	2	
18	31605	(001000-001103) Fitting, Straight	2	
19	27792	(001000-001055) Motor, Hydraulic (Replaced by 61489) (See Breakdowns)	1	
19	61489	(001056-) Motor, Hydraulic (See Breakdowns)	1	
20	76568	(001000-) Plug, Brush Drive	1	
21	75706	(001000-) Slide, L.H.	1	
22	54194	(001104-) Fitting, Elbow	1	
23	47518	(001104-) Fitting, Straight	2	
24	54194	(001352-) Fitting, Elbow	1	

STANDARD PARTS

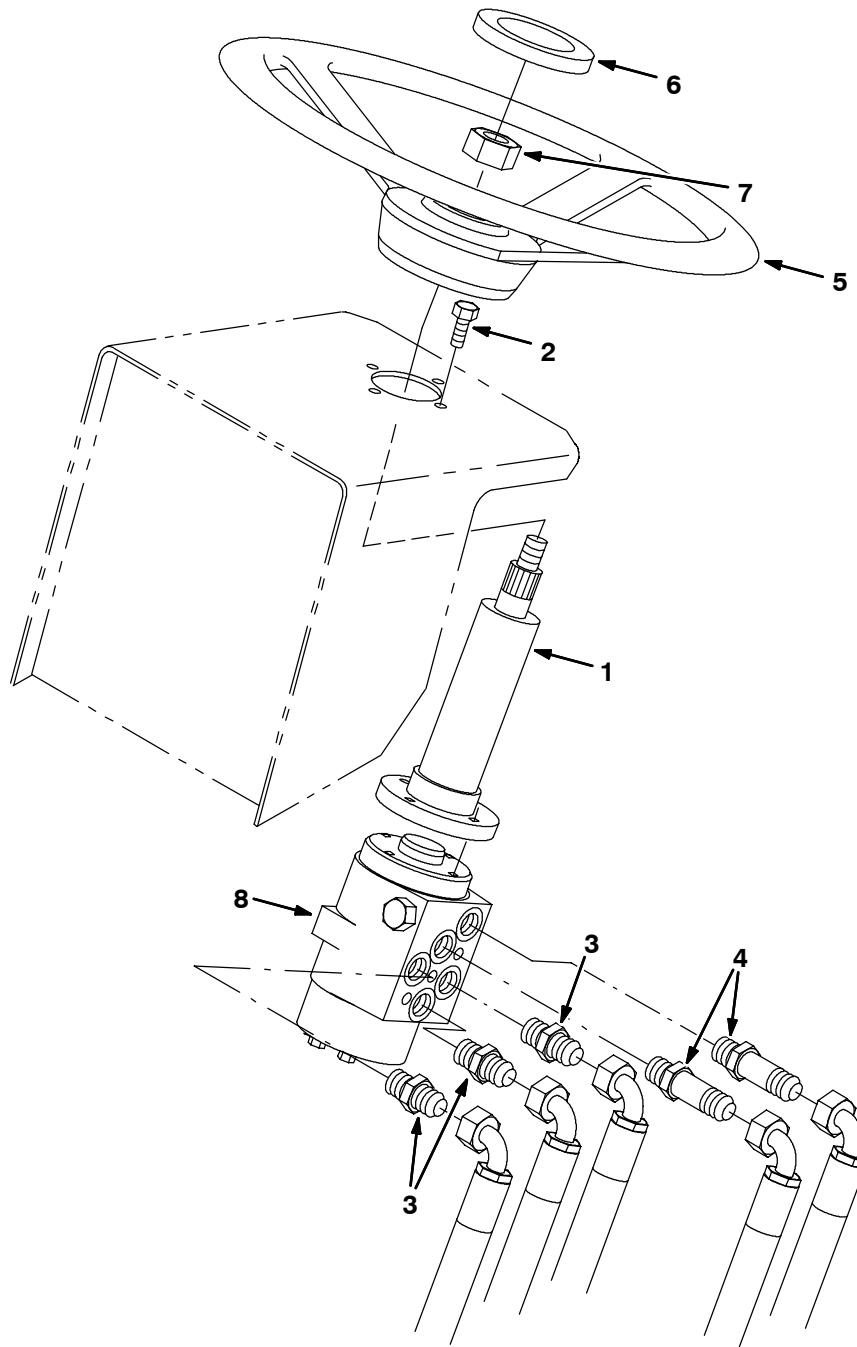
Fig. 18 - Steering Column Group, Gas/LPG (001000-001505)



01067 - 1550

Ref.	Part No.	Serial Number	Description	Qty.
▽	14700	(001000-001505)	Horn Button Assembly	1
▲	1 47010-7	(001000-001505)	Cover, Horn Button	1
▲	2 47010-6	(001000-001505)	Button, Horn	1
▲	3 47010-2	(001000-001505)	Cup, Contact	1
▲	4 47010-3	(001000-001505)	Spring	1
▲	5 47010-1	(001000-001505)	Cap, Contact	1
▲	6 47010-4	(001000-001505)	Screw, Horn Button, Wood	3
▲	7 14700-4	(001000-001505)	Plate	1
▲	8 14700-1	(001000-001505)	Ferrule, Insulation	1
▲	9 14700-2	(001000-001505)	Spring	1
▲	10 14700-3	(001000-001505)	Washer	1
	11 17269	(001000-001505)	Wheel, Steering	1
	12 57676	(001000-001505)	Nut	1
▽	13 52388	(001000-001505)	Column, Steering	1
▲	388153	(001000-001505)	Kit, Contact And Brush, [64433-000] En	1
▲	74142	(001000-001505)	Cap, Tube	1
	14 44310	(001000-001505)	Sleeve	2
	15 10829	(001000-001505)	Screw, Socket	2
	16 57982	(001000-001103)	Control, Steering (See Breakdowns)	1
	16 74176	(001104-001505)	Control, Steering (See Breakdowns)	1
	17 56690	(001000-001505)	Fitting, Straight	2
	18 56820	(001000-001505)	Fitting, Elbow	2

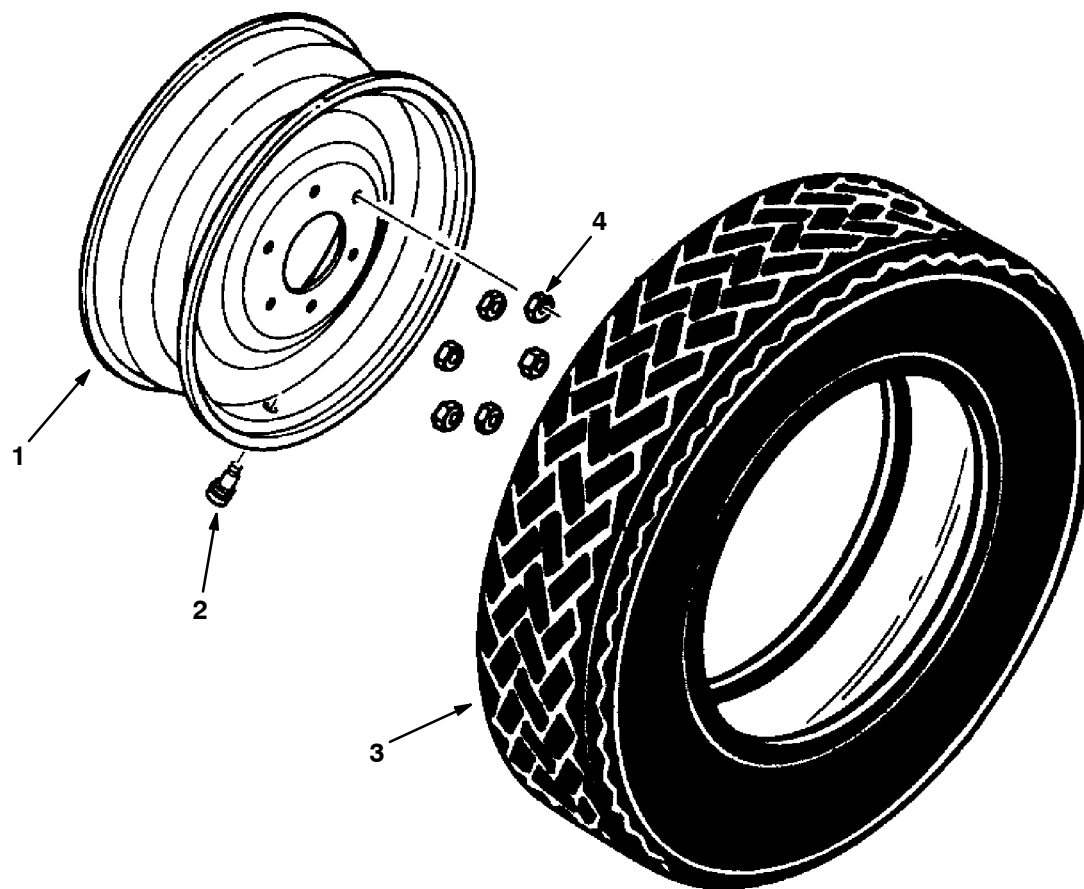
Fig. 19 - Steering Column Group, Gas/LPG (001508-)



354293 - 550, 1550, G, LP, Impco

Ref.	Part No.	Serial Number	Description	Qty.
1	367108	(001508-)	Column, Steering, #2 8.0l .81d 36t00th	1
2	06943	(001508-)	Screw, Hex, M6 X 1.0 X 20, 8.8	4
3	56690	(001508-)	Fitting, Hyd, Str, Jm06/Om06	3
4	59577	(001508-)	Fitting, Hyd, Str, Jm06/Om06, L	2
5	768481	(001508-)	Wheel, Steering, 14.3d 0.81b 36tooth	1
6	768482	(001508-)	Cover, Steering Wheel	1
7	56185	(001508-)	Nut, Hex, Jam, M20 X 1.5	1
8	1019271	(001508-)	Steer-control, Hyd2, 06.1	1

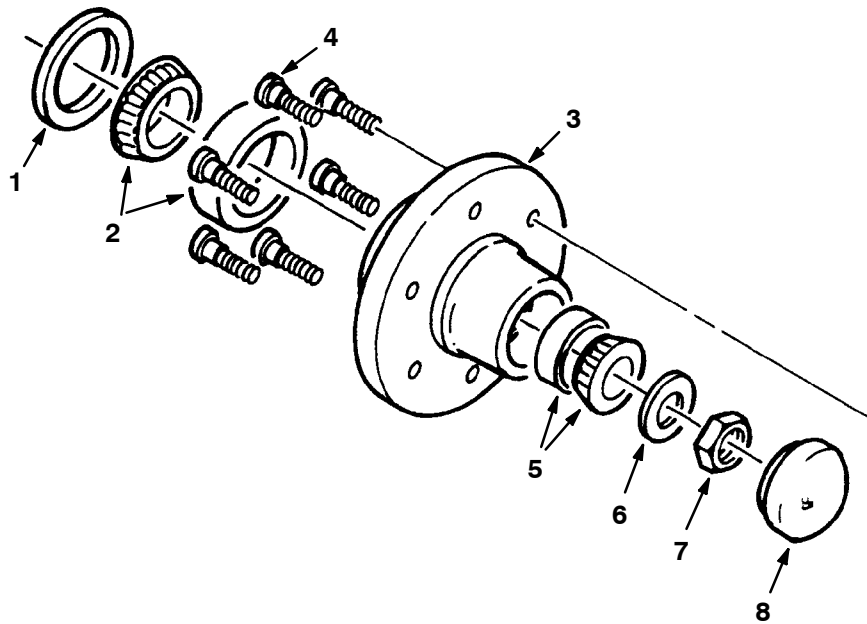
Fig. 20 - Front and Rear Wheel Assembly



00311 - 1550

Ref.	Part No.	Serial Number	Description	Qty.
▽	48891	(001000-) Tire and Wheel Assembly	4
▲	1 79101	(001000-) Rim, 16.5 X 6.75 5.5bc/6bolt	1
▲	2 75365	(001000-) Valve, Tire, Air	1
▲	3 48888	(001000-) Tire	1
	4 24339	(001000-) Nut, Wheel	24

Fig. 21 - Rear Axle Group



00311 - 1550

Ref.	Part No.	Serial Number	Description	Qty.	
1	75072-5	(001000-) Seal, Inner Wheel Bearing	2	
2	75073	(001000-) Bearing Assembly, Cup and Cone	2	
▽	3	75072-1	(001000-) Hub Assembly	2
▲	4	32126	(001000-) Stud, Wheel	6
5	75075	(001000-) Bearing Assembly, Cup and Cone	2	
6	31705	(001000-) Washer, Flat	2	
7	41112	(001000-) Nut, Slotted	2	
8	57567	(001000-) Cap, Hub Dust	2	

Fig. 22 - Front Wheel Drive Group

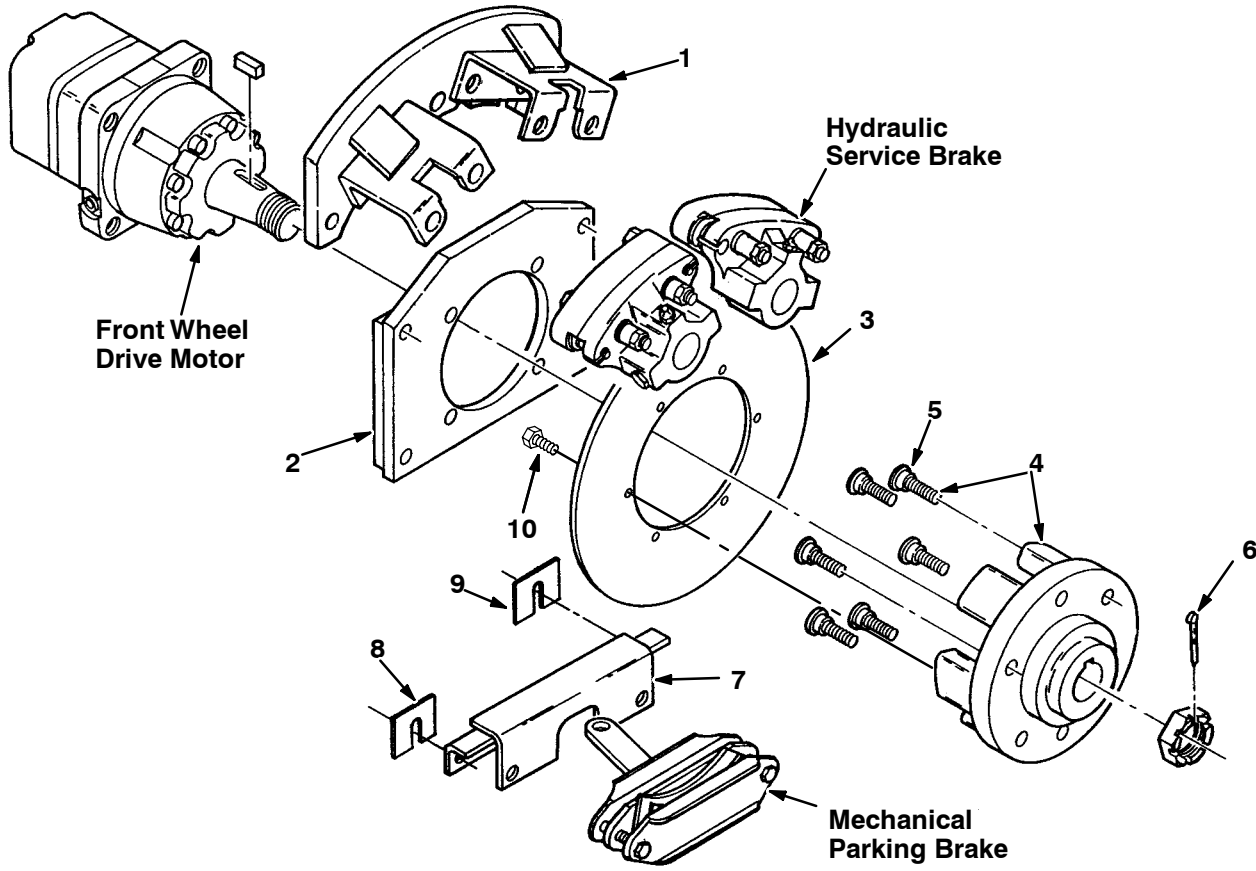


Fig. 22 - Front Wheel Drive Group

Ref.	Part No.	Serial Number	Description	Qty.
1	61649	(001000-) Plate, Brake Mounting, 1550	2
2	78191	(001000-) Plate, Motor Mounting	2
3	78190	(001000-) Disk, Brake	2
▽	4	76649	(001000-) Hub Assembly	2
▲	5	32126	(001000-) Stud	6
6	08329	(001000-) Pin, Cotter	2
7	76539	(001000-) Bracket, Brake	2
8	04210	(001000-) Shim, 20 Ga.	4
9	04048	(001000-) Shim, 16 Ga.	4
10	54397	(001000-) Screw, Hex, .31-18 X 0.88, G5	6

Fig. 23 - Hydraulic Directional Pedal Group (001000-001103)

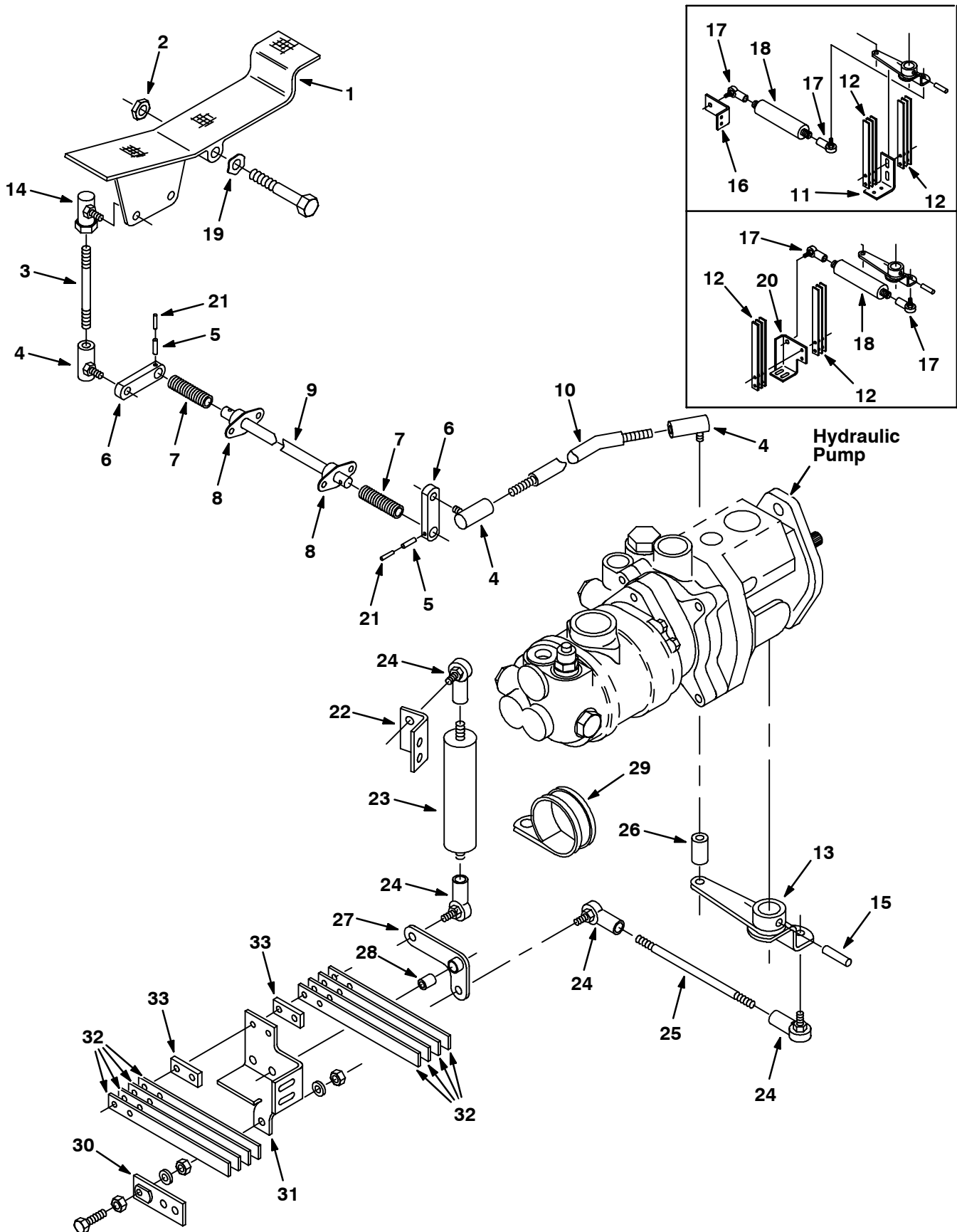


Fig. 23 - Hydraulic Directional Pedal Group (001000-001103)

Ref.	Part No.	Serial Number	Description	Qty.
1	42240	(001000-001103)	Pedal, Foot Speed	1
2	86029	(001000-001103)	Nut, Nex, Thin	1
3	76823	(001000-001103)	Stud	1
4	50493	(001000-001103)	Ball Joint,	3
5	22134	(001000-001103)	Pin, Roll	2
6	52789	(001000-001103)	Link, Directional Control	2
7	22290	(001000-001103)	Spring	2
8	47585	(001000-001103)	Bearing, Flange	2
9	76821	(001000-001103)	Shaft, Control	1
10	48887	(001000-001103)	Link, Control	1
11	48879	(001000-001505)	Angle, Spring Mounting	1
12	49681	(001000-001103)	Spring, Pump Lever Centering	6
13	62702	(001000-001103)	Arm, Pump Control	1
14	63282	(001000-001103)	Ball Joint, Upper	1
15	14854	(001000-001103)	Roll, Pin	1
16	48897	(001000-001103)	Angle, Shock	1
17	50493	(001000-001505)	Rod, End	2
18	62700	(001000-001018)	Shock, Absorber	1
19	52508	(001000-001103)	Washer, Wavy	1
20	25659	(001505-001018)	Angle, Shock	1
21	46029	(001000-001103)	Pin, Roll	2
22	65935	(001019-001103)	Angle, Shock Mount	1
23	62700	(001019-001103)	Shock, Absorber	1
24	50493	(001019-001103)	Rod, End	4
25	65942	(001019-001103)	Rod, Shock	1
26	65941	(001019-001103)	Spacer	1
27	65936	(001019-001103)	Belcrank	1
28	76390	(001019-001103)	Sleeve	1
29	41016	(001019-001103)	Clamp, Cable	1
30	65939	(001019-001103)	Strap, Adjuster	1
31	65934	(001019-001103)	Angle, Shock	1
32	49681	(001019-001103)	Spring, Pump Lever Centering	8
33	65940	(001019-001103)	Spacer, Spring	2

Fig. 24 - Hydraulic Directional Pedal Group, Gas/LPG (001104-)

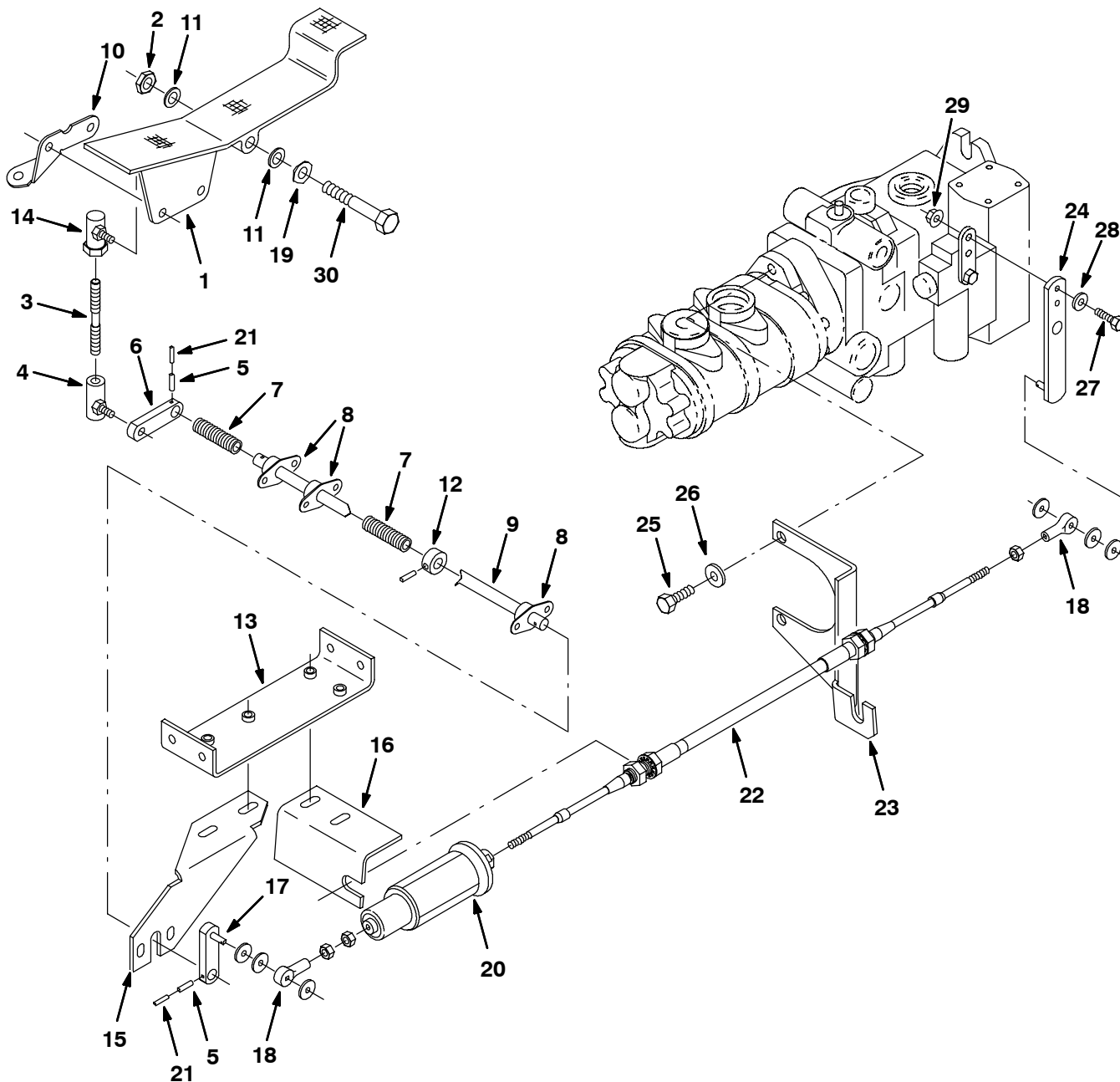
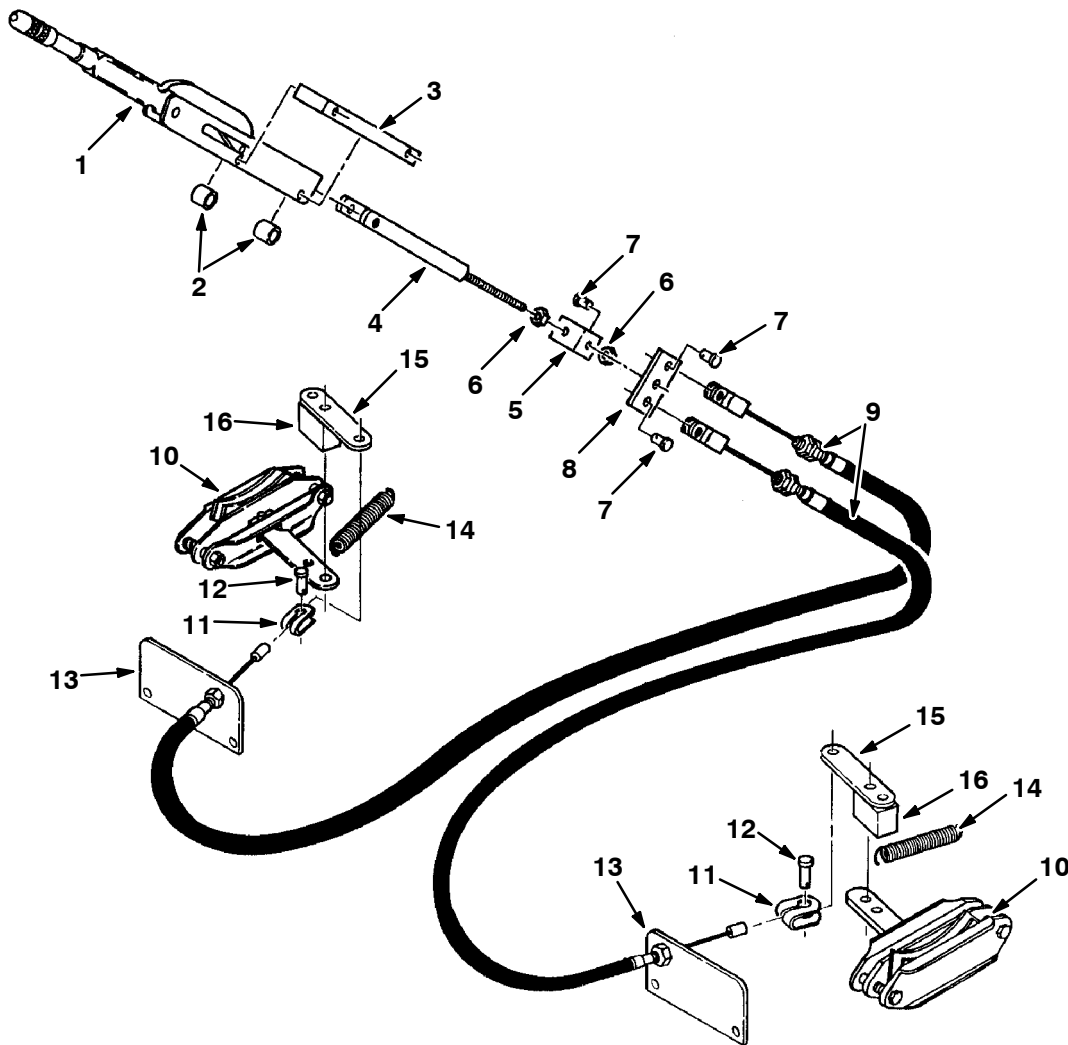


Fig. 24 - Hydraulic Directional Pedal Group, Gas/LPG (001104-)

Ref.	Part No.	Serial Number	Description	Qty.
1	42240	(001104-) Pedal, Foot Speed	1
2	86029	(001104-) Nut, Nex, Thin	1
3	79074	(001104-) Stud	1
4	50493	(001104-) Ball Joint	1
5	22134	(001104-) Pin, Roll	2
6	52789	(001104-) Link, Directional Control	1
7	22290	(001104-) Spring	2
8	47585	(001104-) Bearing, Flange	3
9	79067	(001104-) Shaft, Control	1
10	79066	(001104-) Bracket, Stop	1
11	59633	(001104-) Bearing, Thrust	1
12	75371	(001104-) Collor, Locking	1
13	79068	(001104-) Bracket, Main	1
14	63282	(001104-) Ball Joint, Upper	1
15	79069	(001104-) Bracket, Mtg, Bearing	1
16	79070	(001104-) Bracket, Cable	1
17	79077	(001104-) Link, Direct Control	1
18	68866	(001104-) Rod End	2
19	52508	(001104-) Washer, Wavy	1
20	63292	(001104-) Spring, Propel, Centering	1
21	46029	(001104-) Pin, Roll	2
22	79080	(001104-) Cable, Push-Pull	1
23	1015338	(001104-) Bracket, Cable & Alarm	1
24	79073	(001104-001109) Lever, Pump	1
24	79114	(001110-) Lever, Pump	1
25	46559	(001104-) Screw, Hex, .38-16 X 1.25. NI	2
26	32485	(001104-) Washer, Flt, .38 Sae	2
27	25046	(001104-) Screw, Hex, .25-20 X 1.00	2
28	32483	(001104-) Washer, Flt, .25 Sae	2
29	27978	(001104-) Nut, Hex, Flng, .25-20	2
30	32895	(001104-) Screw, Hex, .50-13 X 3.50, 5	1

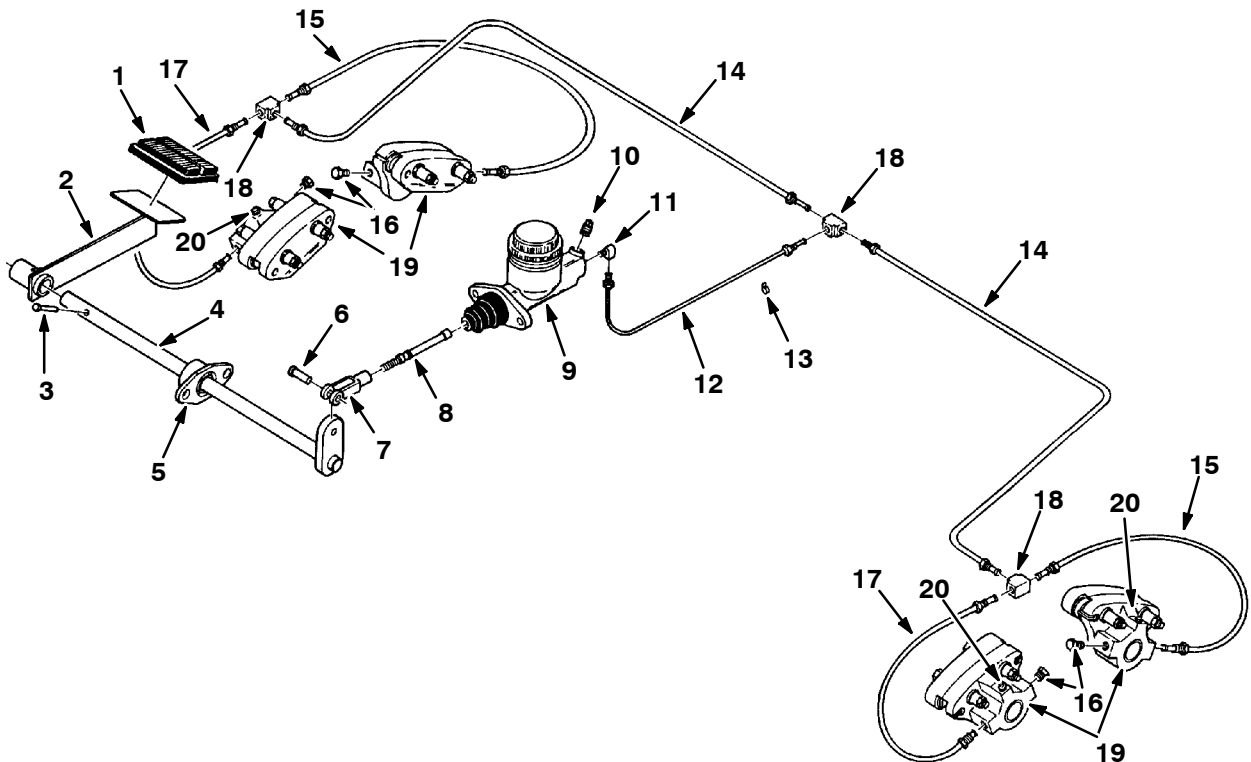
Fig. 25 - Front Wheel Parking Brake Group



06952/06953 - 1550

Ref.	Part No.	Serial Number	Description	Qty.	
1	51545	(001000-) Lever, Parking	1	
2	51562	(001000-) Sleeve, Brake Lever	2	
3	76816	(001000-) Spacer, Brake	1	
4	76903	(001000-) Rod, Adjustment	1	
5	76904	(001000-) Angle, Brake Adjustment	1	
6	25014	(001000-) Nut, Adjustment	2	
7	10120	(001000-) Pin, Clevis	3	
8	40354	(001000-) Strip	1	
9	32477	(001000-) Cable Assembly, Brake, Separate Spring	2	
▽	10	75368	(001000-) Brake, Mechanical	2
▲	SK2223	(001000-) Repair Kit, Brake Pad	1	
11	75369	(001000-) Clevis, Brake Cable	2	
12	09088	(001000-) Pin, Clevis	2	
13	61258	(001000-) Bracket, Brake Cable	2	
14	50304	(001000-) Spring, Brake Cable	2	
15	75535	(001000-) Arm, Brake	2	
16	61639	(001000-) Spacer, Brake Arm	2	

Fig. 26 - Brakes Group

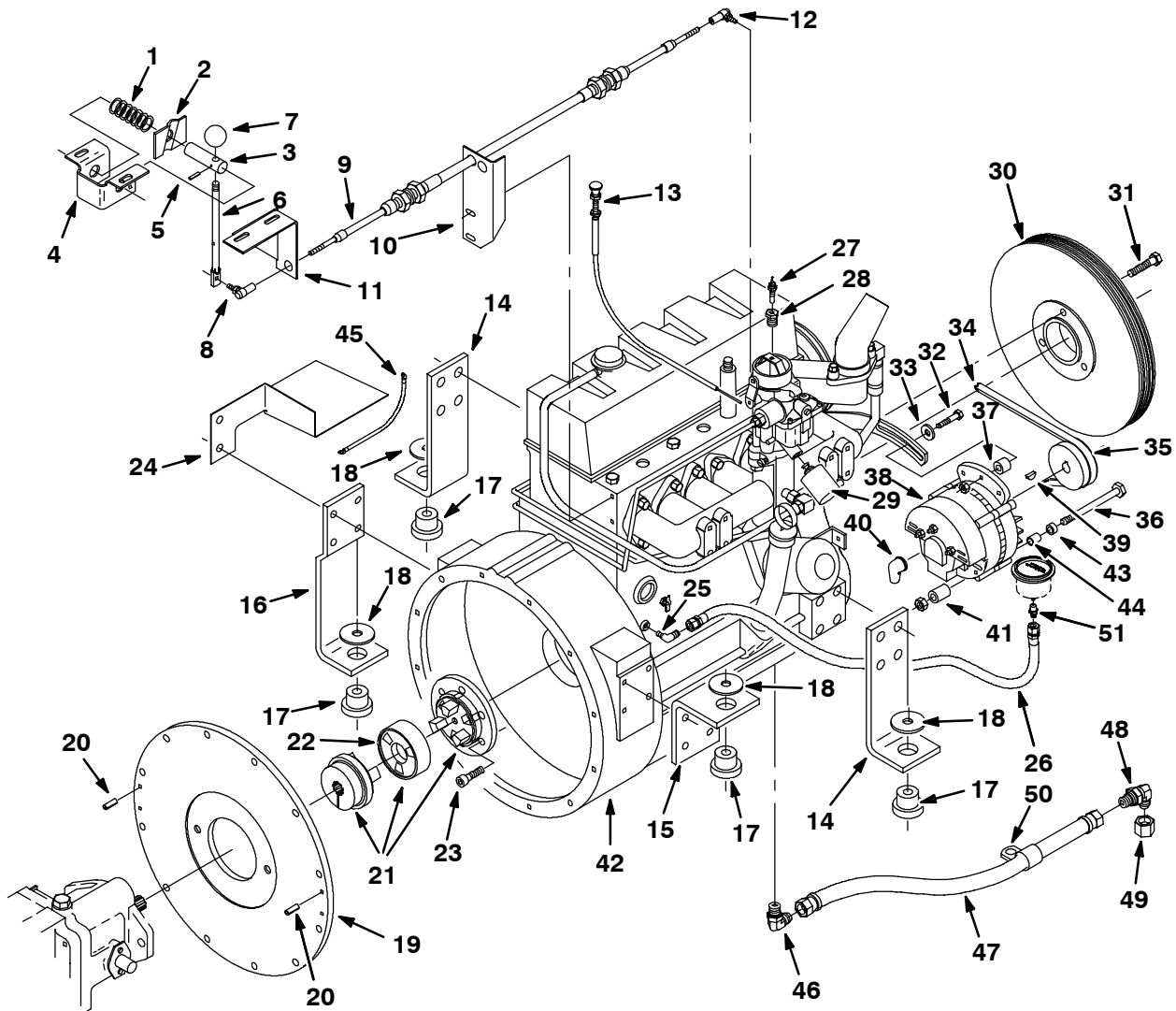


00105 - 550E, 1550

Ref.	Part No.	Serial Number	Description	Qty.	
1	51109	(001000-) Pad, Brake	1	
2	75249	(001000-) Pedal, Brake	1	
3	26315	(001000-) Pin, Roll	1	
4	78080	(001000-) Shaft, Brake	1	
5	26663	(001000-) Bearing, Flange	1	
6	14331	(001000-) Pin, Clevis	1	
7	14330	(001000-) Clevis, Adjustable	1	
8	52163	(001000-) Rod, Brake, Push	1	
▽	9	64950	(001000-) Cylinder, Master Brake	1
▲	374240	(001000-) Cap, Cyl Assy, Master Brake	1	
10	48126	(001000-) Plug	1	
11	53078	(001000-) Elbow	1	
12	76058	(001000-) Tube, Brake Line	1	
13	46236	(001000-) Clamp, Tube	4	
14	76059	(001000-) Tube, Brake Line	2	
15	06843	(001000-) Tube, Brake Line, R.H.	2	
16	76087	(001000-) Fitting, Plug	4	
17	06844	(001000-) Tube, Brake Line, L.H.	2	
18	53079	(001000-) Tee	3	
▽	19	75285	(001000-) Brake Assembly, Hydraulic	4
▲	SK2222	(001000-) Repair Kit, Brake	1	
▲	20	37524	(001000-) Screw, Bleeder	1

STANDARD PARTS

Fig. 27 - Engine Group, Gas (001000-001423)



06190 - 550, 1550

Ref.	Part No.	Serial Number	Description	Qty.
▽	52049	(001000-001423)	Control Assembly, Throttle	1
▲	1 51693	(001000-001423)	Spring, Compression	1
▲	2 51691	(001000-001423)	Plate, Throttle	1
▲	3 51692	(001000-001423)	Pin, Pivot	1
▲	4 51689	(001000-001423)	Bracket, Throttle	1
▲	5 20021	(001000-001423)	Pin, Roll	1
▲	6 51690	(001000-001423)	Lever, Throttle	1
▲	7 26565	(001000-001423)	Knob	1
8	14601	(001000-001423)	Ball Joint	1
9	69494	(001000-001423)	Cable Assembly, Push-Pull	1
10	25218	(001000-001423)	Angle, Cable	1
11	25217	(001000-001423)	Bracket, Throttle	1
12	14601	(001000-001423)	Ball Joint	1
13	76560	(001000-001423)	Cable, Choke	1
14	16490	(001000-001423)	Bracket, Engine Mounting	2
15	76602	(001000-001423)	Bracket, Mounting Engine	1

Fig. 27 - Engine Group, Gas (001000-001423)

Ref.	Part No.	Serial Number	Description	Qty.	
16	76544	(001000-001423)	Bracket, Mounting Engine	1	
17	51176	(001000-001423)	Dampner, Engine	4	
18	51564	(001000-001423)	Washer	4	
19	76290	(001000-001423)	Plate, Pump Mounting	1	
20	23999-8	(001000-001423)	Pin, Roll	2	
▽	21	78068	(001000-001423)	Coupling Assembly, Drive	1
▲	22	76291	(001000-001423)	Insert, Drive	1
	23	41358	(001000-001423)	Screw, Socket, M10	6
	24	25180	(001000-001423)	Shield, Starter	1
	25	06507	(001000-001423)	Fitting, Elbow	1
	26	32552	(001000-001423)	Hose	1
	27	78005-2	(001000-001423)	Sending Unit, Temperature	1
	28	78170	(001000-001423)	Fitting, Straight	1
	29	34805	(001000-001423)	Solenoid, Anti-Runon	1
	30	391800	(001000-001423)	Sheave	1
	31	39284	(001000-001423)	Screw, Hex, M10	3
	32	41342	(001000-001423)	Screw, Hex, M8	1
	33	41186	(001000-001423)	Washer, Belleville	1
	34	34194	(001000-001423)	V-Belt	1
	35	34833	(001000-001423)	Pulley, Alternator	1
	36	34877	(001000-001423)	Screw, Hex, M10	1
	37	08892	(001000-001423)	Sleeve	1
▽	38	03233	(001000-001423)	Alternator	1
▲		61516	(001000-001423)	Brush Assembly	2
▲		86041	(001000-001423)	Bearing, Ball, 0.67b 1.57d 0.47w	1
▲		61517	(001000-001423)	Regulator, Voltage	1
▲	39	00500-5	(001000-001423)	Key, Woodruff	1
	40	34065	(001000-001423)	Boot, Electric	1
	41	08891	(001000-001423)	Sleeve	1
	42	61696	(001000-001057)	Engine, Gasoline, TM27 (Replaced by 65947)(See Continental Engine Breakdown, Gasoline, LPG)	1
	42	65947	(001058-001423)	Engine, Gasoline, TM27 (See Continental Engine Breakdown, Gasoline, LPG)	1
	43	36417	(001000-001423)	Sleeve	1
	44	57311	(001000-001423)	Bushing	1
	45	29832-7	(001000-001423)	Cable, Grounding	1
	46	49934	(001000-001423)	Fitting, Elbow	1
	47	76762	(001000-001423)	Hose	1
	48	57075	(001000-001423)	Fitting, Elbow	1
	49	40625	(001000-001423)	Fitting, Cap	1
	50	82829	(001000-001423)	Clamp, Hose Support	1
	51	11979	(001127-001423)	Fitting, Straight, Brass	1

Fig. 28 - Engine Group, Gas/LPG (001424-001505)

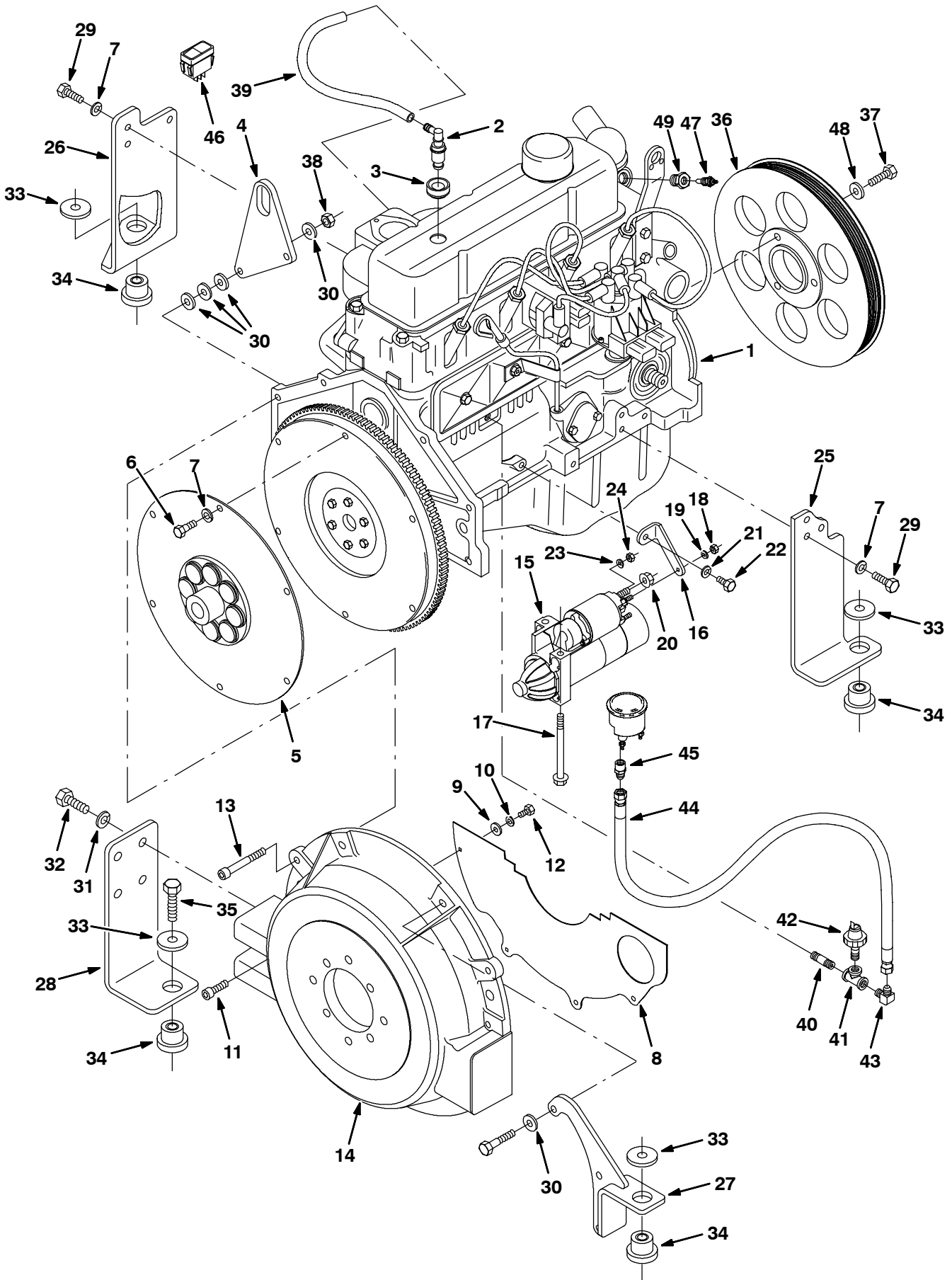


Fig. 28 - Engine Group, Gas/LPG (001424-001505)

Ref.	Part No.	Serial Number	Description	Qty.
1	393968	(001424-001505)	Engine,, 3.0 Liter, Gas/Lpg (See GM Engine Breakdown, Gasoline, LPG)	1
2	393975	(001424-001505)	Valve, [Pcv]	1
3	393984	(001424-001505)	Grommet	1
4	393985	(001424-001505)	Eye, Lift	1
5	371507	(001424-001505)	Plate, Drive	1
6	371508	(001424-001505)	Bolt, Clutch	6
7	371509	(001424-001505)	Washer, Lock, .38	11
8	371511	(001424-001505)	Plate, Hsng	1
9	32483	(001424-001505)	Washer, Flt, .25 Sae	4
10	371512	(001424-001505)	Washer, Lock, .25	4
11	10831	(001424-001505)	Screw, Soc, .38-16 X 1.25, Al	1
12	19315	(001424-001505)	Screw, Hex, .25-20 X 0.50, 5	4
13	371513	(001424-001505)	Screw, Soc, .38-16 X 3.0	2
14	371514	(001424-001505)	Housing, Flywheel	1
15	371516	(001424-001505)	Starter	1
16	371517	(001424-001505)	Bracket, Starter	1
17	371518	(001424-001505)	Bolt, Starter	1
18	50335	(001424-001505)	Nut, Hex, Std, M05 X 0.8	2
19	371519	(001424-001505)	Washer, Loc, M5	1
20	07791	(001424-001505)	Nut, Hex, Flng, M08 X 1.25	1
21	393994	(001424-001505)	Washer, Lock, .31	1
22	54396	(001424-001505)	Screw, Hex, .31-18 X 0.75, 5	1
23	371520	(001424-001505)	Washer, Lock, #10	1
24	19311	(001424-001505)	Nut, Hex, Std, #10-24	1
25	371549	(001424-001505)	Mount, Engine, Rear, Left	1
26	371550	(001424-001505)	Mount, Engine, Rear, Right	1
27	371551	(001424-001505)	Mount, Engine, Front, Left	1
28	371552	(001424-001505)	Mount, Engine, Front, Right	1
29	371553	(001424-001505)	Screw, Hex, .38-16 X 1.0	4
30	32485	(001424-001505)	Washer, Flt, .38 Sae	3
31	393978	(001424-001505)	Washer, Lock, .50	4
32	371556	(001424-001505)	Screw, Hex, .50-13 X 1.50	4
33	51564	(001424-001505)	Washer, 0.53b 1.75d .12, Stl, Pl	4
34	51176	(001424-001505)	Dampener, Eng	4
35	48665	(001424-001505)	Screw, Hex, .50-13 X 2.00, NI	4
36	391800	(001424-001505)	Sheave, [Poly-V], 12.6d, 8grv, 2.50b	1
37	39284	(001424-001505)	Screw, Hex, M10 X 1.5 X 35, 8.8	3
38	25014	(001424-001505)	Nut, Hex, Std, .38-16	1
39	393973	(001424-001505)	Hose, [Pcv]	1
40	48144	(001424-001505)	Fitting, Pipe, Str, Pm04/Pm04 01.5l,Blk	1
41	22309	(001424-001505)	Fitting, Pipe, Tee, Pf02/Pf02/Pf02,Blk	1
42	371572	(001424-001505)	Solenoid, Tubular, 1"Pull 36vdc	1
43	06507	(001424-001505)	Fitting, Brs, E90, Pm02/Sm04	1
44	32552	(001424-001505)	Hose, Lpg, Med04, Jf04str/Jf04str, 48.0l	1
45	11979	(001424-001505)	Fitting, Brs, Str, Pm02/Sm04	1
46	371580	(001424-001505)	Switch, Speed, Eng	1
47	78005-2	(001424-001505)	Send-unit, Water, Temperature, .12npt	1
48	32492	(001424-001505)	Washer, Flt, .38 Std	3
49	78170	(001424-001505)	Fitting, Hyd, Str, Pm08/Pf02	1

Fig. 29 - Engine Group, Gas/LPG (001508-)

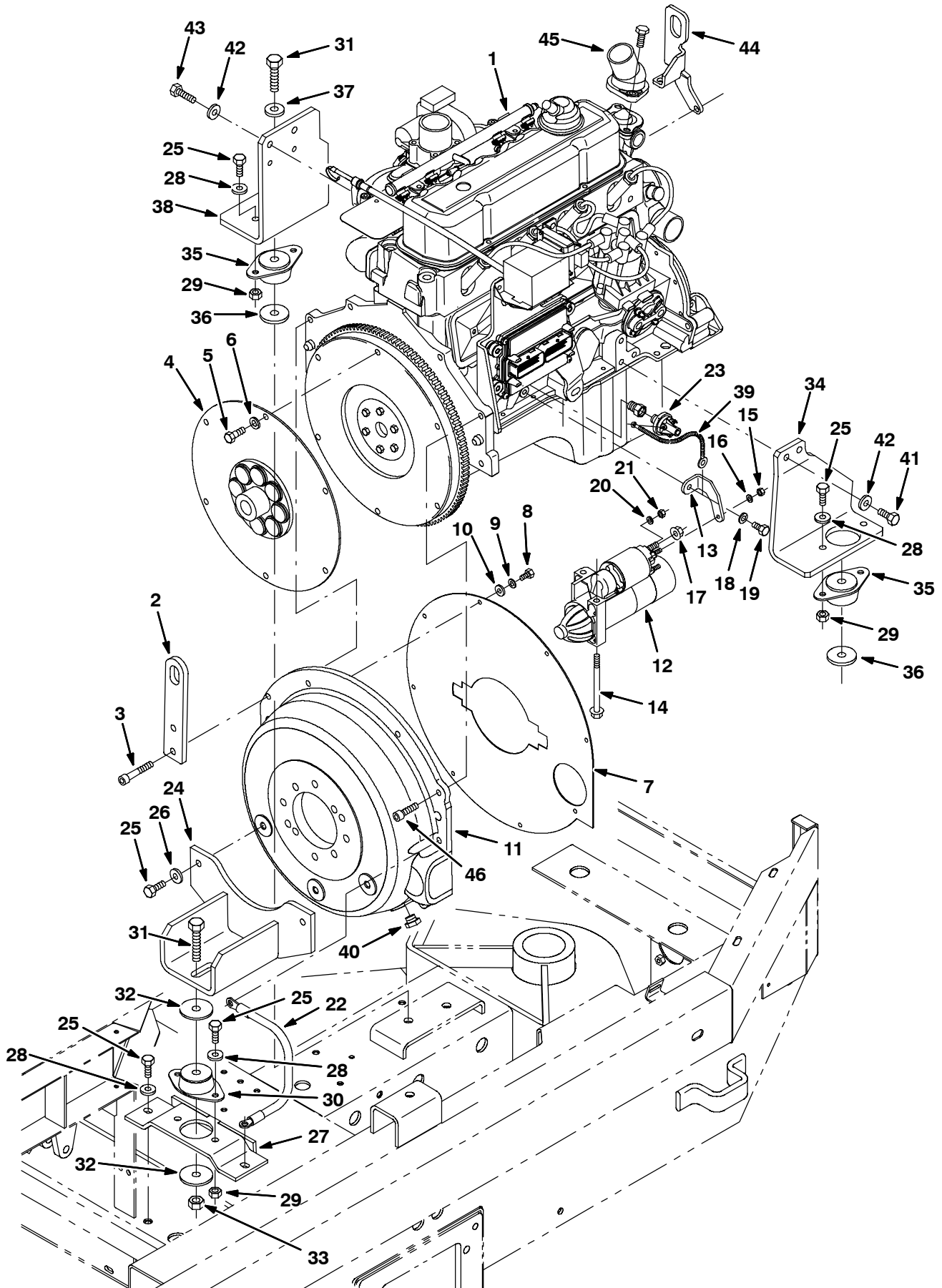


Fig. 29 - Engine Group, Gas/LPG (001508-)

Ref.	Part No.	Serial Number	Description	Qty.
1	1012719	(001508-001537)	Engine Assy, Gas, Clsd Loop [Gm, 3.0l] (See GM Engine Breakdown, Gasoline, LPG))	1
1	1012720	(001508-001537)	Engine Assy, Lpg, Clsd Loop [Gm, 3.0l] (See GM Engine Breakdown, Gasoline, LPG))	1
1	385019	(001538-	Engine, Block, Long [GM3.0L](See GM Engine Breakdown)	1
2	372457	(001508-001537)	Bolt, Eye, Lift	1
2	1034105	(001538-	Hook, Lift [Gm3.0l 2007]	1
3	372479	(001508-	Screw, Soc, .38-16 X 2.25, G5	1
4	372456	(001508-	Plate, Drive	1
5	371508	(001508-	Bolt, Clutch	6
6	371509	(001508-	Washer, Lock, .38	6
7	371761	(001508-	Shield, Dust	1
8	19315	(001508-	Screw, Hex, .25-20 X 0.50, 5	8
9	371512	(001508-	Washer, Lock, .25	8
10	32483	(001508-	Washer, Flat, 0.25 Sae	8
11	372458	(001508-	Housing, Flywheel [3.0l]	1
12	371516	(001508-	Starter, 12vdc [Gm]	1
13	372473	(001508-	Bracket, Starter	1
14	371518	(001508-	Bolt, Starter	1
15	50335	(001508-	Nut, Hex, Std, M5 X 0.8, 8	1
16	371519	(001508-	Washer, Loc, M5	1
17	07791	(001508-	Nut, Hex, Flng, M8 X 1.25	1
18	393994	(001508-	Washer, Lock, .31	1
19	54396	(001508-	Screw, Hex, .31-18 X 0.75, 5	1
20	371520	(001508-	Washer, Lock, #10	1
21	19311	(001508-	Nut, Hex, Std, #10-24	1
22	57773	(001508-	Wire Assy, 06ga 13.0l Blk .41h/ .41h	1
23	372445	(001508-	Switch, Pressure, 7psi, Spdt	1
24	1014411	(001508-	Channel Wldt, Mtg, Eng, Rear	1
25	21197	(001508-	Screw, Hex, .38-16 X 1.00, 5	10
26	41187	(001508-	Washer, Belleville, .38	2
27	1014685	(001508-	Bracket Wldt, Mtg, Eng, Rear	1
28	32492	(001508-	Washer, Flat, 0.38 Std	8
29	50902	(001508-	Nut, Hex, Lock, .38-16, NI	8
30	63263	(001508-	Isolator, Vib, Flng, 1.3h .5b 2/.39h	1
31	48665	(001508-	Screw, Hex, .50-13 X 2.00, NI	3
32	57048	(001508-	Washer, Flat, 0.53b 2.13d .11, Stl, PI	2
33	32985	(001508-	Nut, Hex, Lock, .50-13, NI	1
34	1014972	(001508-	Mount, Eng, Rear, Lh	1
35	75768	(001508-	Isolator, Vib, Flng, 2.0h .5b 2/.41h	2
36	04414	(001508-	Washer, Flat, 0.53b 1.88d .12, Stl, PI	2
37	32493	(001508-	Washer, Flat, 0.50 Std	2
38	1014988	(001508-	Mount, Eng, Rear, Rh	1
39	372474	(001508-	Harness, Switch, Oil Press, Ground Wire	1
40	1018573	(001508-	Screw, Hex, .62-18 X 0.31	1
41	21198	(001508-	Screw, Hex, .38-16 X 1.25, G5	2
42	32491	(001508-	Washer, Flat, 0.31, Std	4
43	27991	(001508-	Screw, Hex, .38-16 X 2.25, G5	2
44	1029334	(001538-	Hook, Lift [Gm3.0l 2007]	1
45	1030272	(001538-	Housing, Thermostat [Gm3.0l 2007]	1
46	10831	(001508-	Screw, Soc, .38-16 X 1.25, AI	5

Fig. 30 - Engine Alternator Group, Gas/LPG (001424-001505)

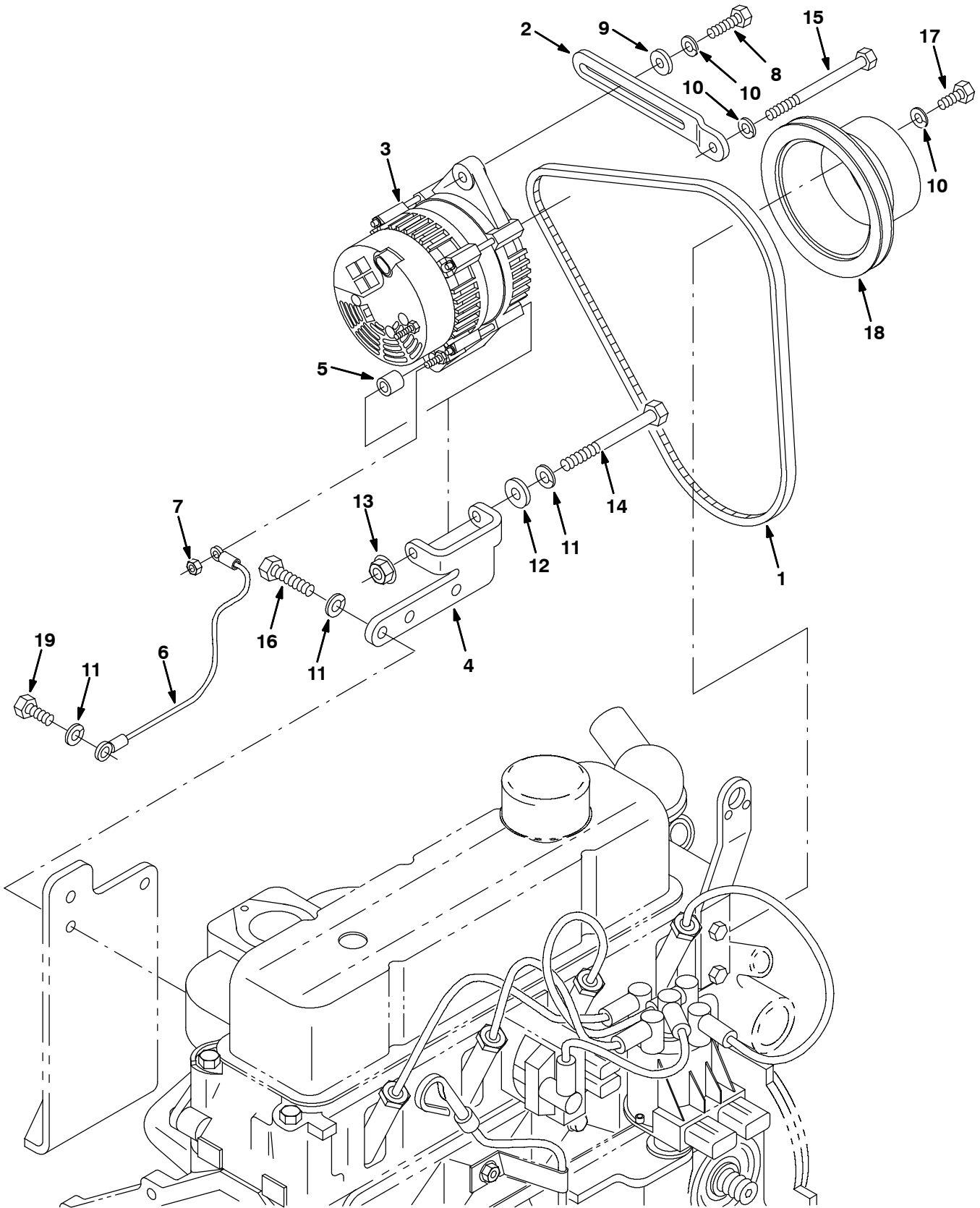


Fig. 30 - Engine Alternator Group, Gas/LPG (001424-001505)

Ref.	Part No.	Serial Number	Description	Qty.
1	371522	(001424-001505)	Belt, Alternator	1
2	371523	(001424-001505)	Strap, Alternator	1
3	371524	(001424-001505)	Alternator	1
4	371525	(001424-001505)	Bracket, Alternator	1
5	371526	(001424-001505)	Sleeve, Alternator	1
6	371527	(001424-001505)	Wire, Ground	1
7	41359	(001424-001505)	Nut, Hex, Std, M06 X 1.0	1
8	76570	(001424-001505)	Screw, Hex, M08 X 1.25 X 30, 8.8	1
9	32491	(001424-001505)	Washer, Flt, .31 Std	1
10	393994	(001424-001505)	Washer, Lock, .31	6
11	371509	(001424-001505)	Washer, Lock, .38	4
12	32485	(001424-001505)	Washer, Flt, .38 Sae	1
13	371528	(001424-001505)	Nut, Flanged, .38-24	1
14	371529	(001424-001505)	Screw, .38-24 X 4.0	1
15	371530	(001424-001505)	Screw, M8-1.25 X 110	1
16	27988	(001424-001505)	Screw, Hex, .38-16 X 1.50, 5	2
17	07592	(001424-001505)	Screw, Hex, .31-24 X 0.75, 5	4
18	393998	(001424-001505)	Pulley, Fan	1
19	21195	(001424-001505)	Screw, Hex, .38-16 X 0.75, 5	1

Fig. 31 - Engine Alternator Group, Gas/LPG (001508-001537)

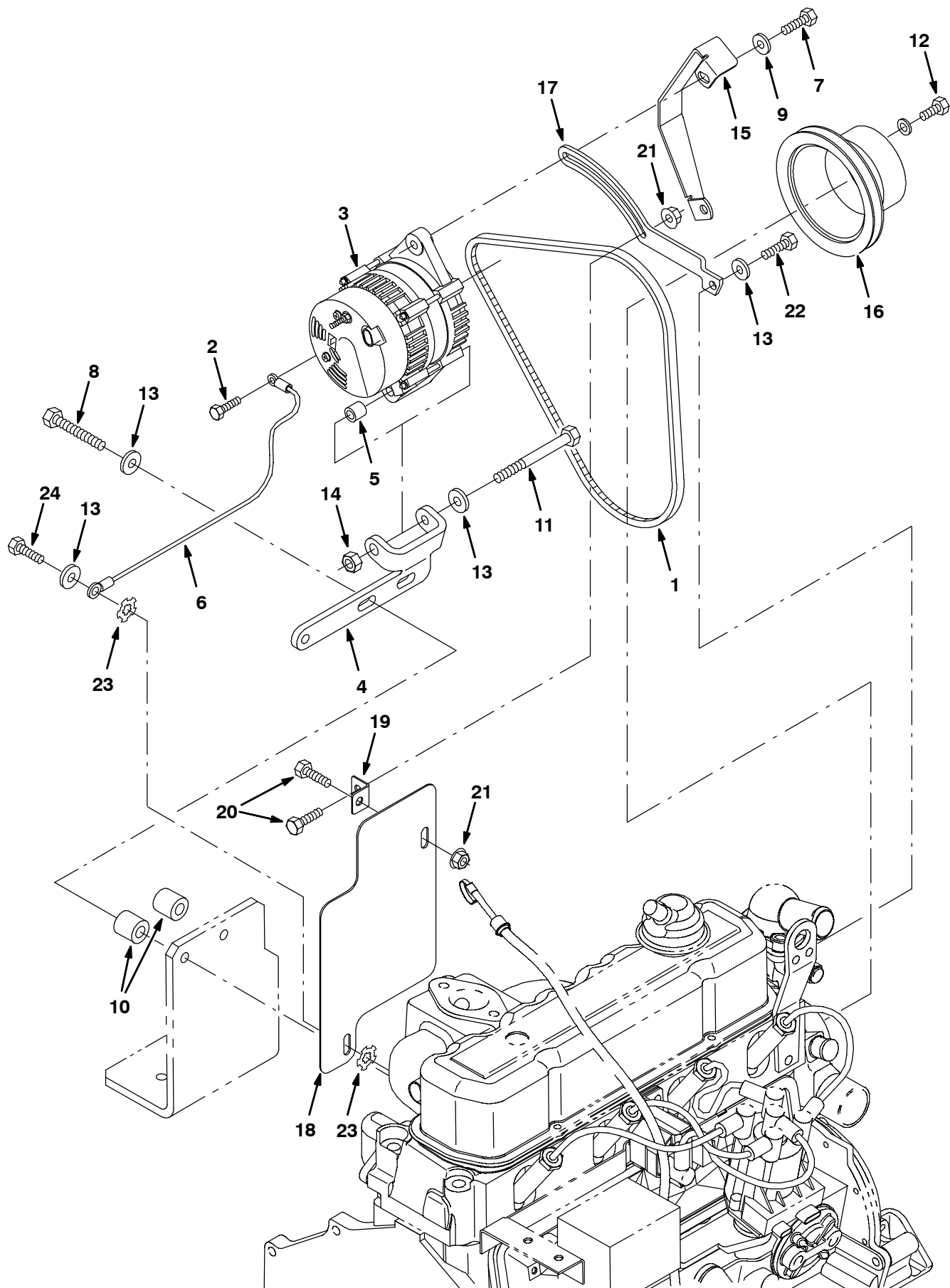


Fig. 31 - Engine Alternator Group, Gas/LPG (001508-001537)

Ref.	Part No.	Serial Number	Description	Qty.
1	393227	(001508-001537)	Belt, V, 39.6l [3v, Hc41]	1
2	42011	(001508-001537)	Screw, Hex, #10-24 X 0.50, Ss	1
3	392611	(001508-001537)	Alternator, 12vdc, 075a [Valeo]	1
4	1008094	(001508-001537)	Bracket, Alternator	1
5	371526	(001508-001537)	Sleeve, Alternator	1
6	371527	(001508-001537)	Wire, Ground	1
7	76955	(001508-001537)	Screw, Hex, .31-18 X 1.00, 5	1
8	27991	(001508-001537)	Screw, Hex, .38-16 X 2.25, 5	2
9	41186	(001508-001537)	Washer, Belleville, .31	2
10	35756	(001508-001537)	Tube, 01.00d 00.50b 01.0l Stl Pnt	2
11	20177	(001508-001537)	Screw, Hex, .38-16 X 4.00, 5	1
12	07592	(001508-001537)	Screw, Hex, .31-24 X 0.75, 5	4
13	32485	(001508-001537)	Washer, Flat, .38 Sae	5
14	50902	(001508-001537)	Nut, Hex, Lock, .38-16, NI	1
15	83581	(001508-001537)	Guard, Belt, Alternator	1
16	393998	(001508-001537)	Pulley, Fan	1
17	1007162	(001508-001537)	Arm, Alternator	1
18	1008511	(001508-001537)	Plate, Shield, Heat	1
19	1008513	(001508-001537)	Angle, Heat, Shield	1
20	16735	(001508-001537)	Screw, Hex, M8 X 1.25 X 16, 8.8	2
21	07791	(001508-001537)	Nut, Hex, Flng, M8 X 1.25	2
22	21195	(001508-001537)	Screw, Hex, .38-16 X 0.75, 5	1
23	41142	(001508-001537)	Washer, Lock, Int-ext, .38	2
24	21197	(001508-001537)	Screw, Hex, .38-16 X 1.00, 5	1

Fig. 32 - Engine Alternator Group, Gas/LPG (001538-)

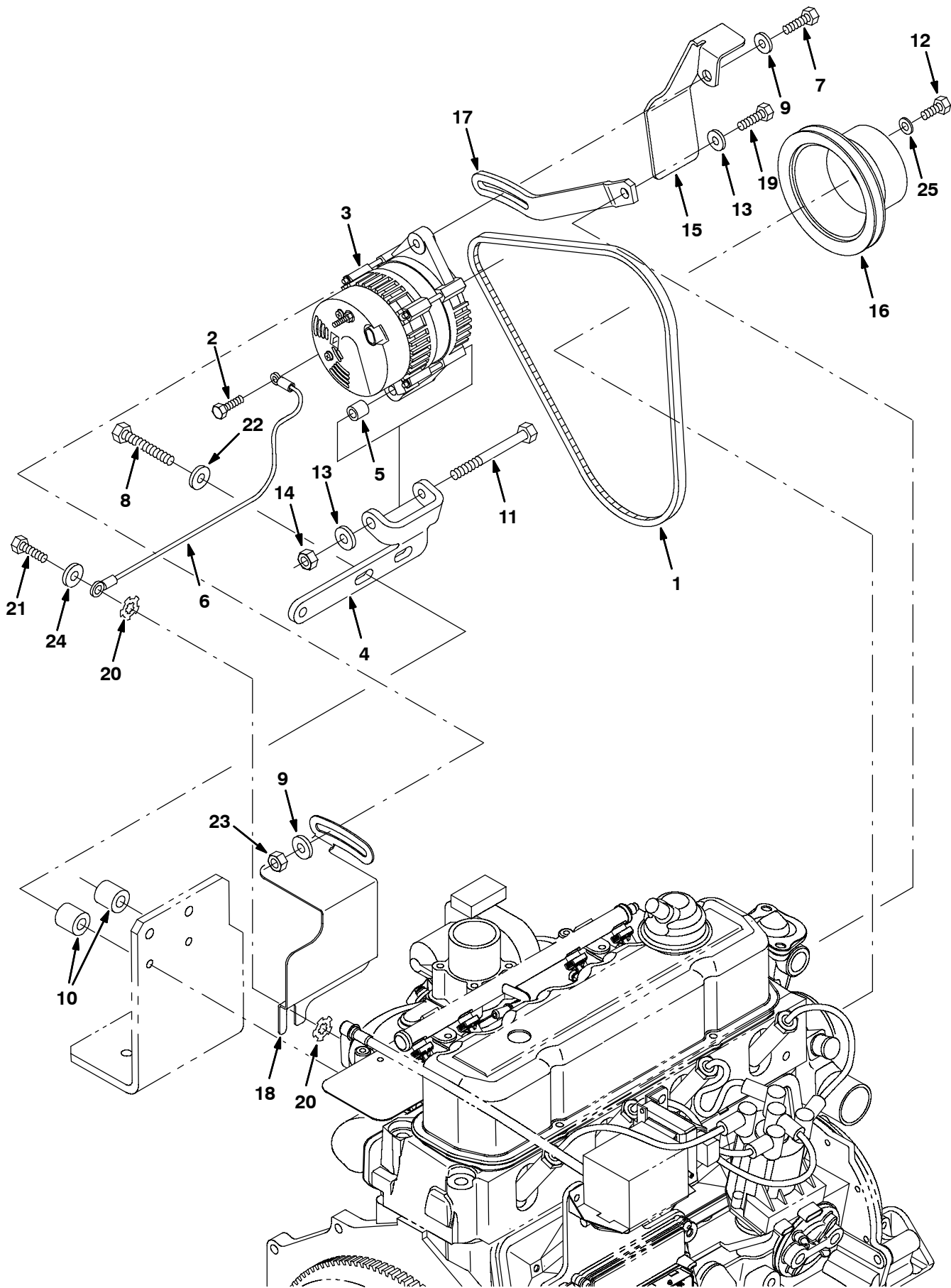


Fig. 32 - Engine Alternator Group, Gas/LPG (001538-)

Ref.	Part No.	Serial Number	Description	Qty.
1	393227	(001538-) Belt, V, 39.6l [3v, Hc41]	1
2	42011	(001538-) Screw, Hex, #10-24 X 0.50, Ss	1
3	392611	(001538-) Alternator, 12vdc, 075a [Valeo]	1
4	1008094	(001538-) Bracket, Alternator	1
5	371526	(001538-) Sleeve, Alternator	1
6	371527	(001538-) Wire, Ground	1
7	41686	(001538-) Screw, Hex, .31-18 X 1.50, FI	1
8	27990	(001538-) Screw, Hex, .38-16 X 2.00, G5	2
9	41186	(001538-) Washer, Belleville, .31	2
10	35756	(001538-) Tube, 01.00d 00.50b 01.0l Stl Pnt	2
11	20177	(001538-) Screw, Hex, .38-16 X 4.00, 5	1
12	07592	(001538-) Screw, Hex, .31-24 X 0.75, 5	4
13	32485	(001538-) Washer, Flat, .38 Sae	5
14	50902	(001538-) Nut, Hex, Lock, .38-16, NI	1
15	1008538	(001538-) Bracket, Guard, Alternator, Hd [Gm3.0l]	1
16	393998	(001538-) Pulley, Fan	1
17	1029649	(001538-) Arm, Adjmt, Alternator	1
18	1030635	(001538-) Shield, Heat, Alternator [2007]	1
19	21195	(001538-) Screw, Hex, .38-16 X 0.75, 5	1
20	41142	(001538-) Washer, Lock, Int-ext, .38	2
21	27989	(001538-) Screw, Hex, .38-16 X 1.00, 5	1
22	32491	(001538-) Washer, Flat, 0.31, Hardened	2
23	32983	(001538-) Nut, Hex, Lock, .31-18, NI	1
24	32485	(001538-) Washer, Flat, 0.38, Sae	1
25	371865	(001538-) Washer, Flat, 0.31, Hardened	4

Fig. 33 - Engine EFI Group, Gas (001424-001505)

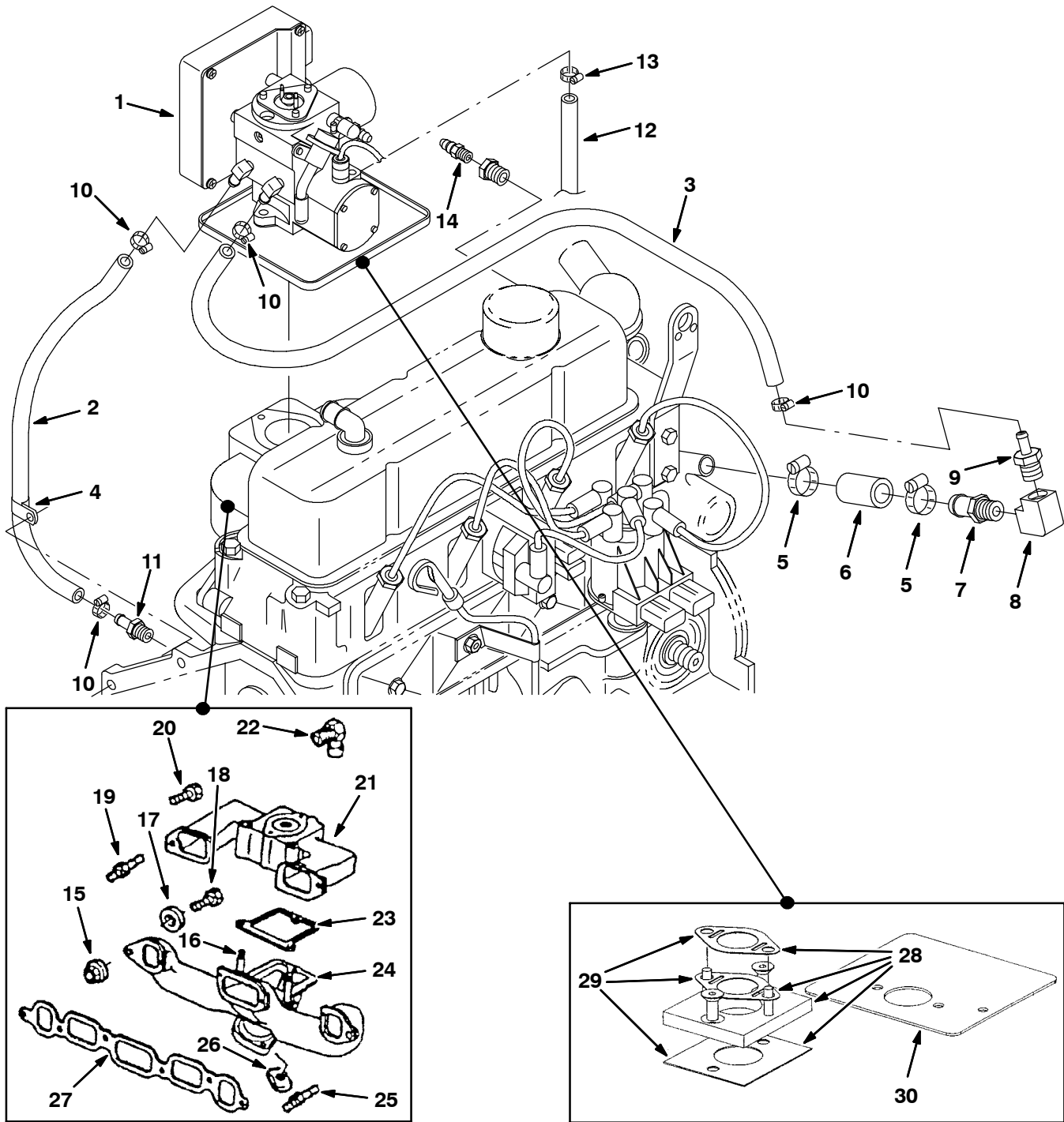


Fig. 33 - Engine EFI Group, Gas (001424-001505)

Ref.	Part No.	Serial Number	Description	Qty.	
1	371645	(001424-001505)	Housing Assy, Throttle, Gas, [With Ecu] (See Breakdowns)	1	
2	371532	(001424-001505)	Hose, Heater, .38id	1	
3	371532	(001424-001505)	Hose, Heater, .38id	1	
4	371533	(001424-001505)	Clamp, Tube	1	
5	11399	(001424-001505)	Clamp, Hose, Wormdrive, 1.56-2.50d	2	
6	371534	(001424-001505)	Hose, Water Heater	1	
7	371535	(001424-001505)	Fitting, Hose	1	
8	371536	(001424-001505)	Fitting, Elb	1	
9	371537	(001424-001505)	Fitting, Hose	1	
10	371538	(001424-001505)	Clamp, Hose, Wormdrive	4	
11	371520	(001424-001505)	Washer, Lock, #10	1	
12	16387	(001424-001505)	Hose, Fuel, 0.50id 52L	1	
13	63810	(001424-001505)	Clamp, Hose, Wormdrive, 0.56-1.06d, .56w	1	
14	371764	(001424-001505)	Sensor, Water Temp	1	
15	393905	(001424-001505)	Nut	8	
16	393906	(001424-001505)	Stud	2	
17	393907	(001424-001505)	Washer	-	
18	393898	(001424-001505)	Bolt	3	
19	393908	(001424-001505)	Stud	1	
20	393909	(001424-001505)	Bolt	-	
21	393910	(001424-001505)	Manifold, Intake	1	
22	393911	(001424-001505)	Fitting	1	
23	393912	(001424-001505)	Gasket	1	
24	393913	(001424-001505)	Manifold, Exhaust	1	
25	393914	(001424-001505)	Stud	2	
26	393915	(001424-001505)	Clamp	4	
27	393916	(001424-001505)	Gasket	1	
▽	28	371646	(001424-001505)	Adapter Kit, Manifold	1
▲	29	371647	(001424-001505)	Gasket Kit, Manifold	1
	30	371658	(001424-001505)	Shield, Heat	1

Fig. 34 - Engine EFI Group, Gas (001508-001537)

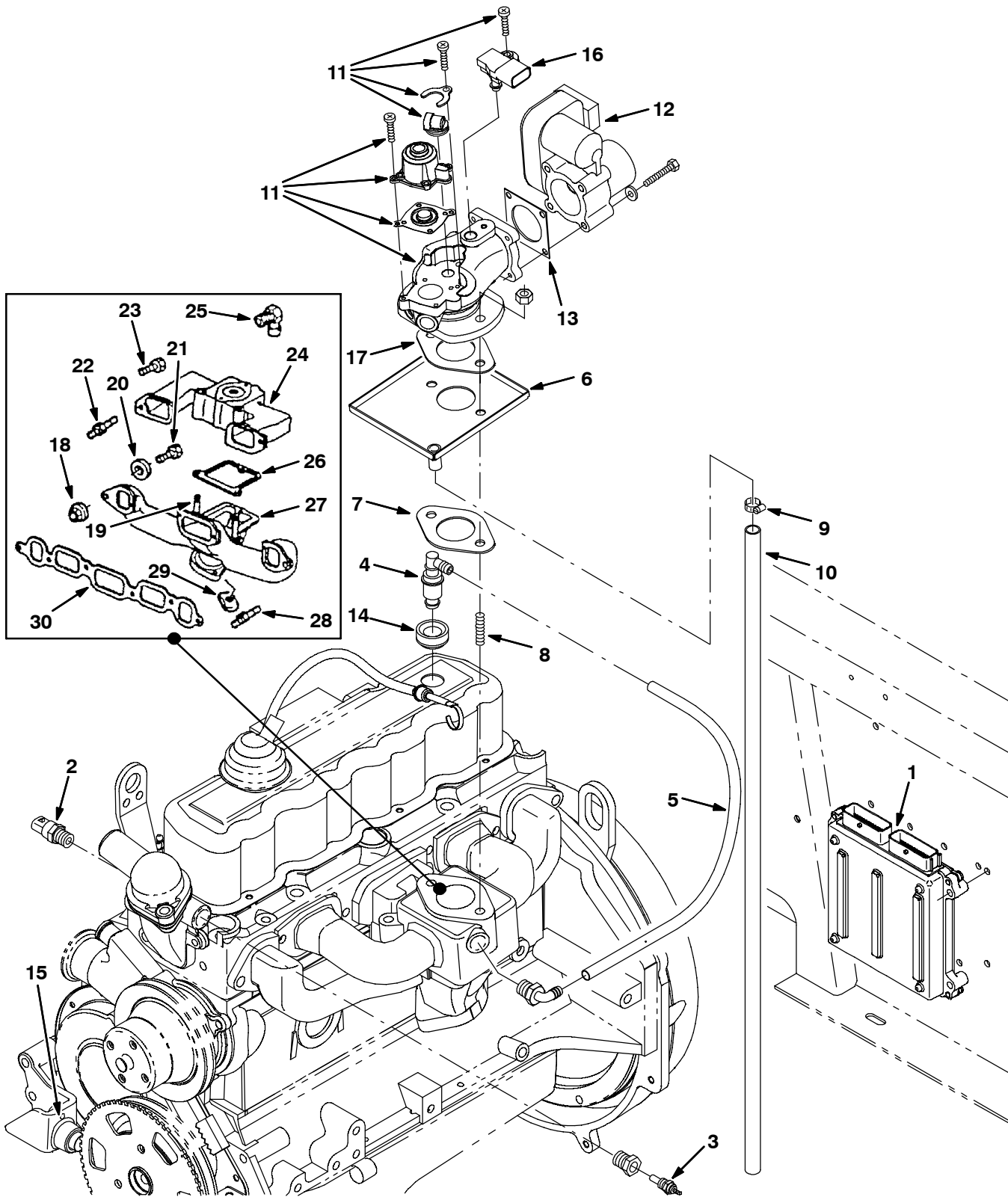


Fig. 34 - Engine EFI Group, Gas (001508-001537)

Ref.	Part No.	Serial Number	Description	Qty.
1	372860	(001508-001537)	Module, Ecu, Gas [GM 3.0l]	1
2	372891	(001508-001537)	Sensor, Temp, Coolant	1
3	372472	(001508-001537)	Sensor, Temp	1
4	372483	(001508-001537)	Valve, [Pcv]	1
5	372489	(001508-001537)	Hose, 9.5mm X 450mm [Pcv]	1
6	1013350	(001508-001537)	Tray Wldt, Drip, Gas [3.0l]	1
7	372490	(001508-001537)	Gasket, Carb	1
8	372466	(001508-001537)	Stud, .38-16 X 1.2l	2
9	63810	(001508-001537)	Clamp, Hose, Wormdrive, 0.50-1.06d, 56w	1
10	16387	(001508-001537)	Hose, Fuel, 0.50id 52.0l	1
11	372488	(001508-001537)	Housing Assy, Throttle, Gas	1
12	372482	(001508-001537)	Housing, Throttle, 40mm [Bosch]	1
13	372545	(001508-001537)	Gasket, Body, Throttle [1.6l]	1
14	393984	(001508-001537)	Grommet	1
15	372492	(001508-001537)	Sensor, Speed, Timing Wheel [3.0l]	1
16	372493	(001508-001537)	Sensor, [Tmap]	1
17	372490	(001508-001537)	Gasket, Carb	1
18	393905	(001508-001537)	Nut	8
19	393906	(001508-001537)	Stud	2
20	393907	(001508-001537)	Washer	-
21	393898	(001508-001537)	Bolt	3
22	393908	(001508-001537)	Stud	1
23	393909	(001508-001537)	Bolt	-
24	393910	(001508-001537)	Manifold, Intake	1
25	393911	(001508-001537)	Fitting	1
26	393912	(001508-001537)	Gasket	1
27	393913	(001508-001537)	Manifold, Exhaust	1
28	393914	(001508-001537)	Stud	2
29	393915	(001508-001537)	Clamp	4
30	393916	(001508-001537)	Gasket	1

Fig. 35 - Engine EFI Group, Gas (001538-)

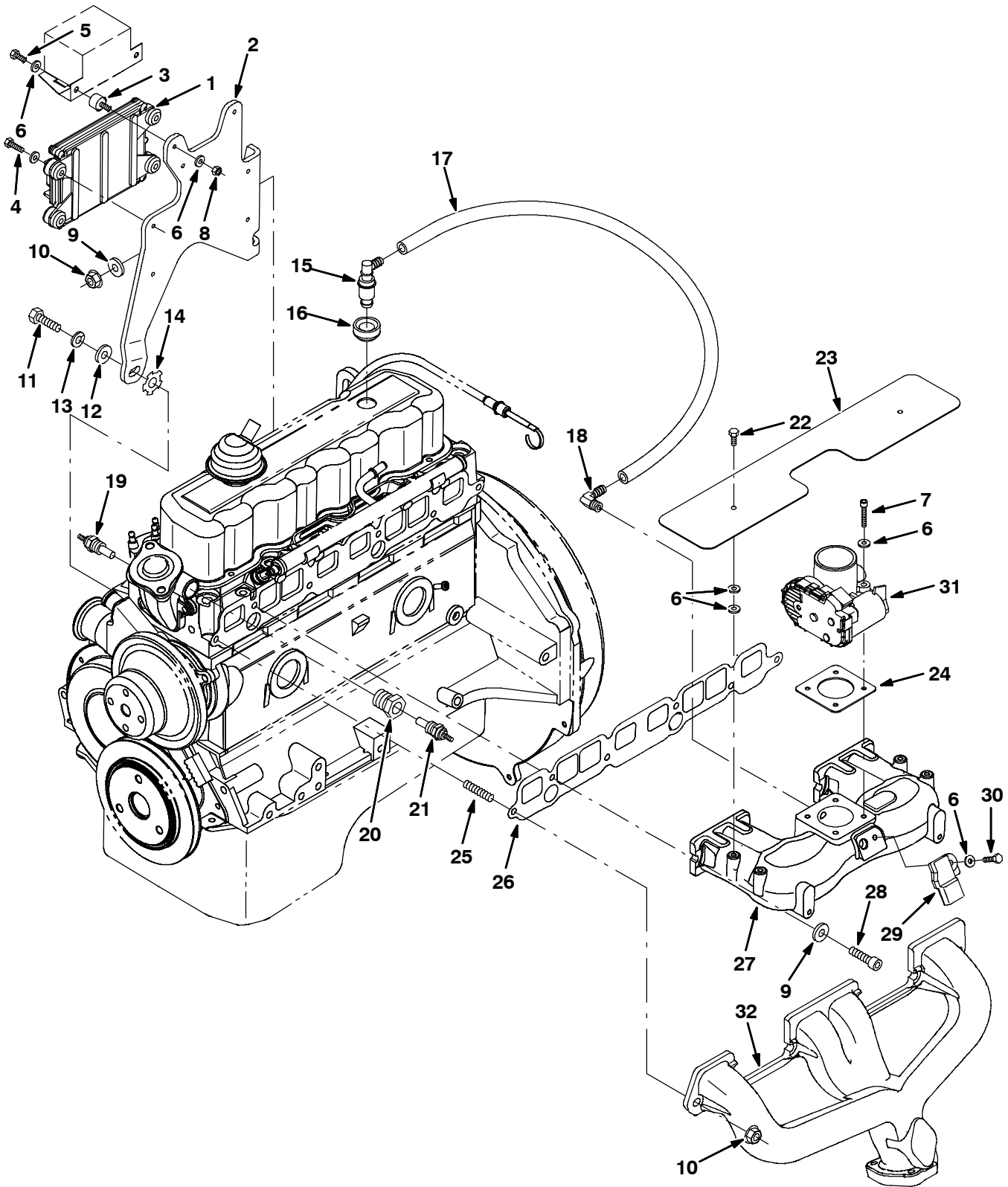


Fig. 35 - Engine EFI Group, Gas (001538-)

Ref.	Part No.	Serial Number	Description	Qty.
1	1032804	(001538-) Module, Ecu, Gas [Gm3.0l 2007]	1
2	385008	(001538-) Bracket, Box, Relay	1
3	372470	(001538-) Isolator, Box, Relay	2
4	25047	(001538-) Screw, Hex, .25-20 X 1.25, G5	4
5	19315	(001538-) Screw, Hex, .25-20 X 0.50, G5	2
6	32490	(001538-) Washer, Flat, 0.25, Std	13
7	06948	(001538-) Screw, Hex, M6 X 1.0 X 45, 8.8	4
8	19312	(001538-) Nut, Hex, Std, .25-20	2
9	371877	(001538-) Washer, Flat, 0.38, Hardened	5
10	27980	(001538-) Nut, Hex, Flng, .38-16	3
11	371553	(001538-) Screw, .38-16 X 1.00	1
12	371877	(001538-) Washer, Flat, 0.38, Hardened	1
13	371509	(001538-) Washer, Lock, 0.38	1
14	371875	(001538-) Washer, Lock, Int / Ext, 0.38	1
15	372483	(001538-) Valve [Pcv]	1
16	393984	(001538-) Grommet	1
17	385001	(001538-) Hose, Fuel, .38d, Rbr	1
18	385002	(001538-) Fitting, E90	1
19	371764	(001538-) Sensor, Temp, Coolant	1
20	385000	(001538-) Fitting, Bshg	1
21	372472	(001538-) Sensor, Temp	1
22	385007	(001538-) Screw, M6 X 10mm	2
23	385006	(001538-) Shield, Heat, Manifold	1
24	372545	(001538-) Gasket, Body, Throttle [1.6]	1
25	372466	(001538-) Stud, .38-16 X 1.2l	2
26	385003	(001538-) Gasket, Manifold, Intake	1
27	385004	(001538-) Manifold, Intake [2007]	1
28	10830	(001538-) Screw, Soc, .38-16 X 1.00, Al	4
29	384985	(001538-) Sensor [T Map]	1
30	19317	(001538-) Screw, Hex, .25-20 X 0.75, G5	1
31	384974	(001538-) Housing, Throttle, 40mm [Bosch]	1
32	385005	(001538-) Manifold, Exhaust [2007]	1

Fig. 36 - Engine Muffler Group (001000-001423)

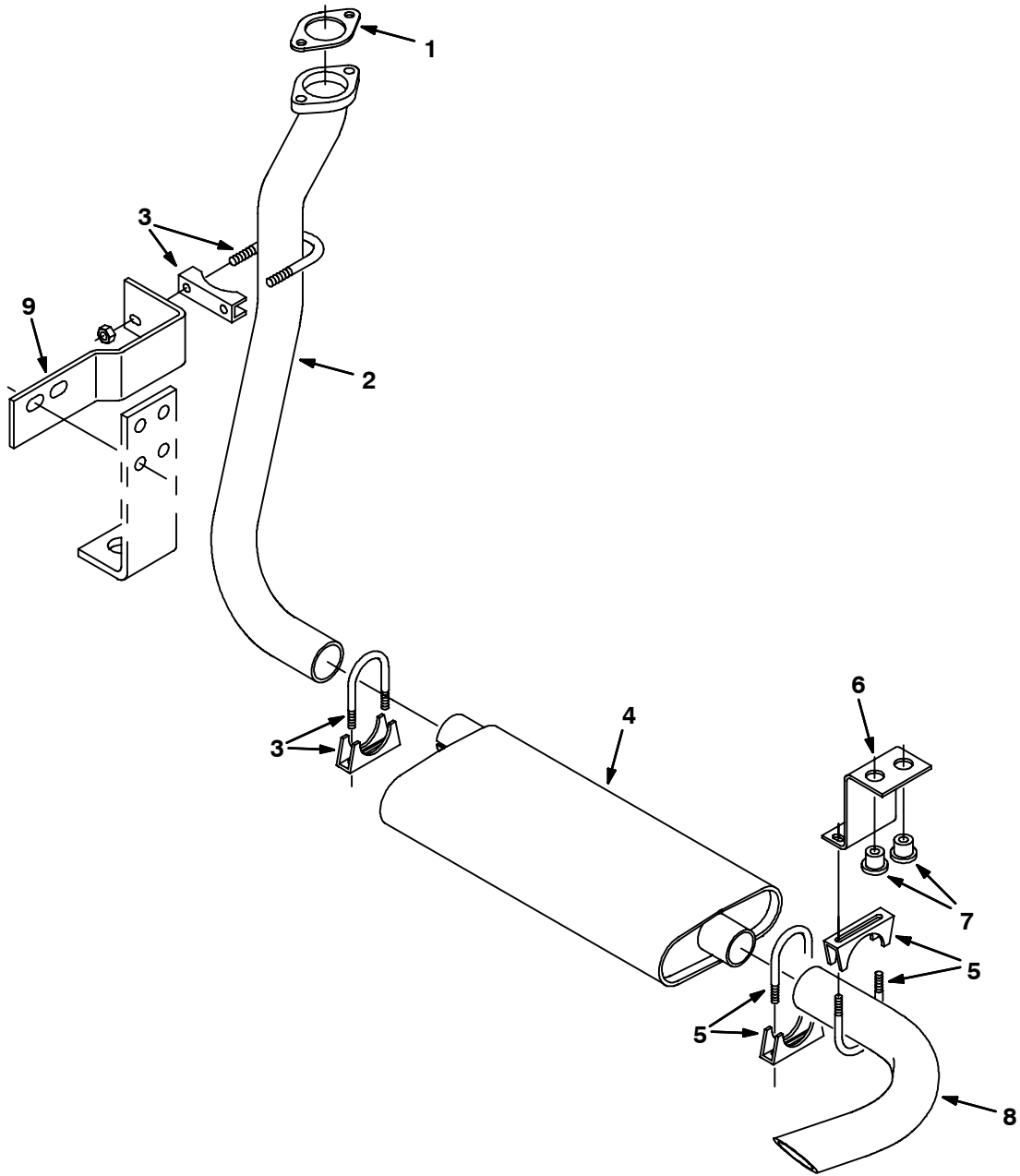


Fig. 36 - Engine Muffler Group (001000-001423)

Ref.	Part No.	Serial Number	Description	Qty.
1	34908	(001000-001423)	Gasket, Tail Pipe	1
2	16496	(001000-001423)	Tube, Exhaust	1
3	05880	(001000-001423)	Clamp, Muffler	2
4	21726	(001000-001423)	Muffler	1
5	24012-1	(001000-001423)	Clamp, Muffler	2
6	12959	(001000-001423)	Bracket, Exhaust Mounting	1
7	54274	(001000-001423)	Isolator, Vibration	2
8	76831	(001000-001423)	Pipe, Tail	1
9	49024	(001000-001423)	Bracket, Exhaust Support	1

Fig. 37 - Engine Muffler Group, Gas/LPG (001424-001505)

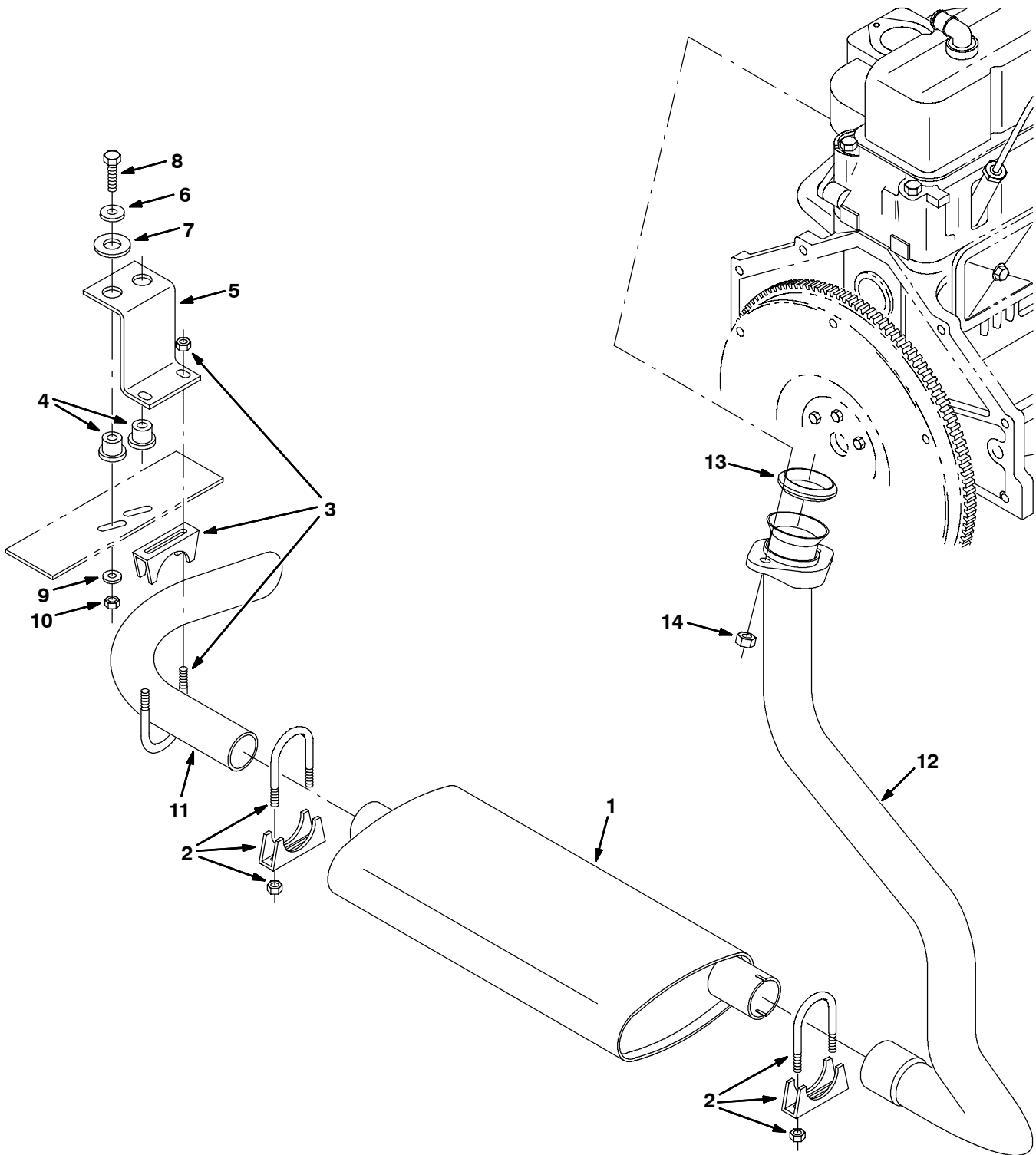


Fig. 37 - Engine Muffler Group, Gas/LPG (001424-001505)

Ref.	Part No.	Serial Number	Description	Qty.
1	21726	(001424-001505)	Muffler, Exhaust	1
2	05880	(001424-001505)	Clamp, Muffler, 1.88d	1
3	24012-1	(001424-001505)	Clamp, Muffler, 1.75d	2
4	54274	(001424-001505)	Isolator, Vib, Bshg, 1.1d 0.6l .4b 0.78h	2
5	12959	(001424-001505)	Bracket, Pipe, Exhaust	1
6	32492	(001424-001505)	Washer, Flt, .38 Std	2
7	39350	(001424-001505)	Washer, Flt, .75 Sae	2
8	76957	(001424-001505)	Screw, Hex, .31-18 X 1.50, 5	2
9	32491	(001424-001505)	Washer, Flt, .31 Std	2
10	32983	(001424-001505)	Nut, Hex, Lock, .31-18, NI	2
11	392543	(001424-001505)	Tube, Exhaust, 1.8d 1.8od Cut-45 E105	1
12	392540	(001424-001505)	Tube, Exhaust, 2.0d Flared W/FIng	1
13	371573	(001424-001505)	Gasket	1
14	25014	(001424-001505)	Nut, Hex, Std, .38-16	2

Fig. 38 - Engine Muffler Group, Gas/LPG (001508-001537)

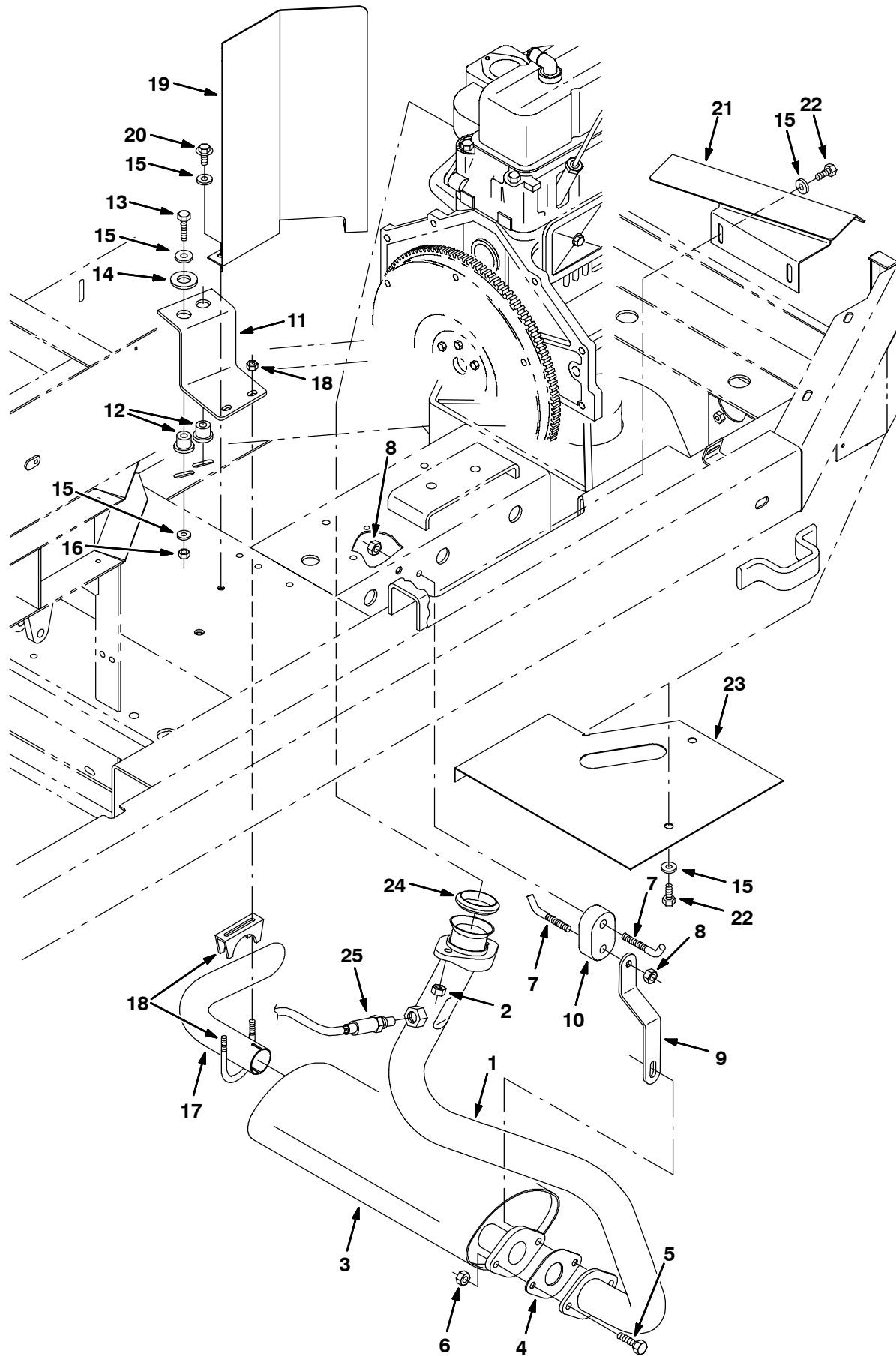


Fig. 38 - Engine Muffler Group, Gas/LPG (001508-001537)

Ref.	Part No.	Serial Number	Description	Qty.
1	1014769	(001508-001537)	Tube, Exhaust, 2.0d Flared W/ Fling	1
2	27979	(001508-001537)	Nut, Hex, Fling, .31-18	2
3	1011259	(001508-001537)	Muffler, Catalytic [Gm 1.6/3.0]	1
4	1011216	(001508-001537)	Gasket, Exhaust, 2 Hole, 3.4bc	1
5	27988	(001508-001537)	Screw, Hex, .38-16 X 1.50, 5	2
6	03556	(001508-001537)	Nut, Hex, Flexlock, .38-16	2
7	1015638	(001508-001537)	Rod, Hanger	2
8	25014	(001508-001537)	Nut, Hex, Std, .38-16	2
9	1014828	(001508-001537)	Plate, Exhaust Hanger	1
10	1013031	(001508-001537)	Isolator, Rubber	1
11	1015633	(001508-001537)	Bracket, Exhaust	1
12	1013590	(001508-001537)	Isolator, Vib, Bshg, 1.1d 0.6l .4b 0.78h	2
13	76957	(001508-001537)	Screw, Hex, .31-18 X 1.50, 5	2
14	39350	(001508-001537)	Washer, Flat, 0.75 Sae	2
15	32491	(001508-001537)	Washer, Flat, 0.31 Std	11
16	32983	(001508-001537)	Nut, Hex, Lock, .31-18, NI	2
17	1014774	(001508-001537)	Tube, Exhaust, 1.6d 1.6d 45deg Cut E90	1
18	24012	(001508-001537)	Clamp, Muffler, 1.62d	1
19	1015821	(001508-001537)	Bracket, Shield, Heat	1
20	41195	(001508-001537)	Screw, Hex, .31-18 X 0.75, Fmg	3
21	1017203	(001508-001537)	Shield, Heat	1
22	54396	(001508-001537)	Screw, Hex, .31-18 X 0.75, 5	4
23	1017241	(001508-001537)	Plate, Eng	1
24	371573	(001508-001537)	Gasket	1
25	372491	(001508-001537)	Sensor, Oxygen	1

Fig. 39 - Engine Muffler Group, Gas/LPG (001538-)

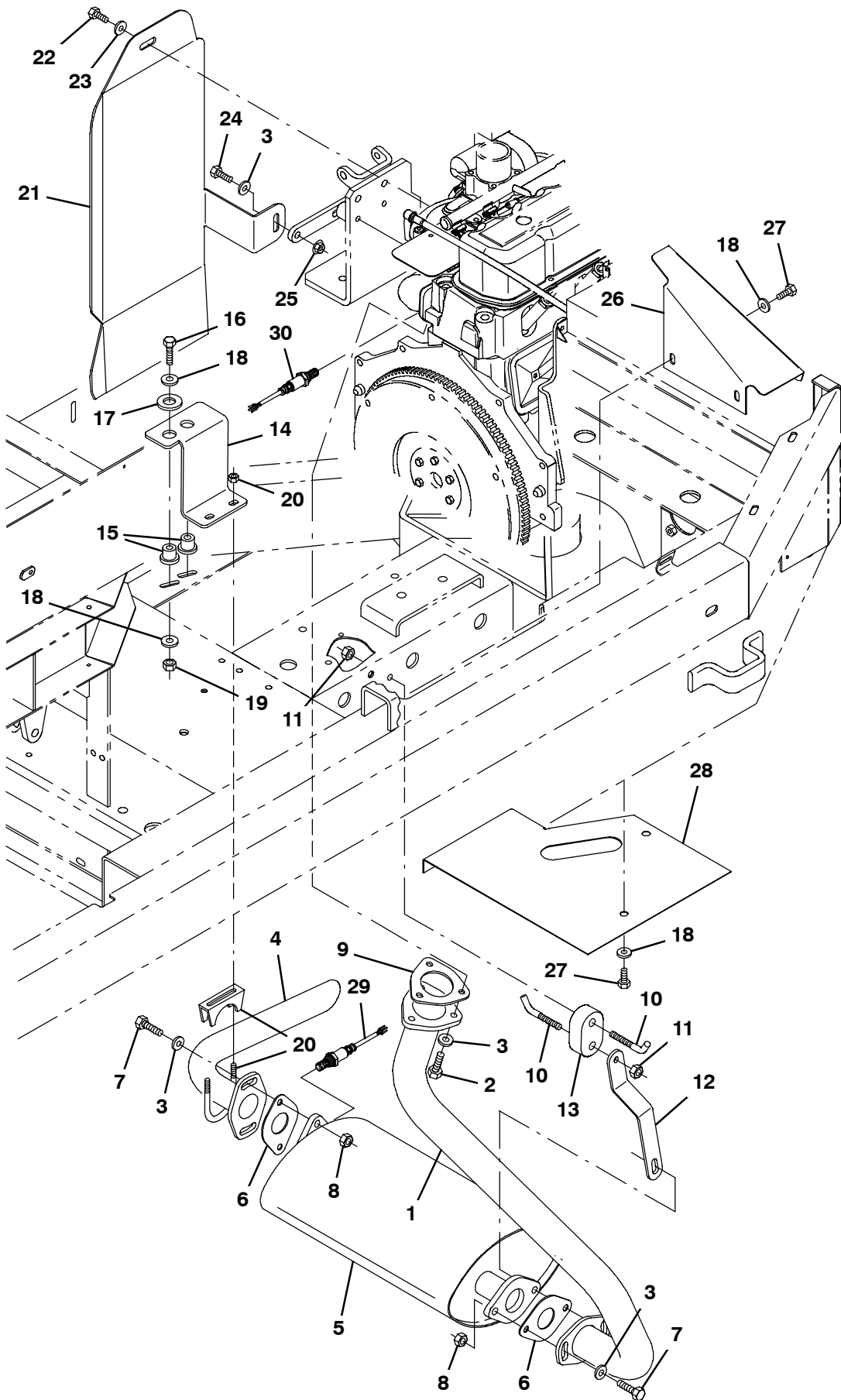
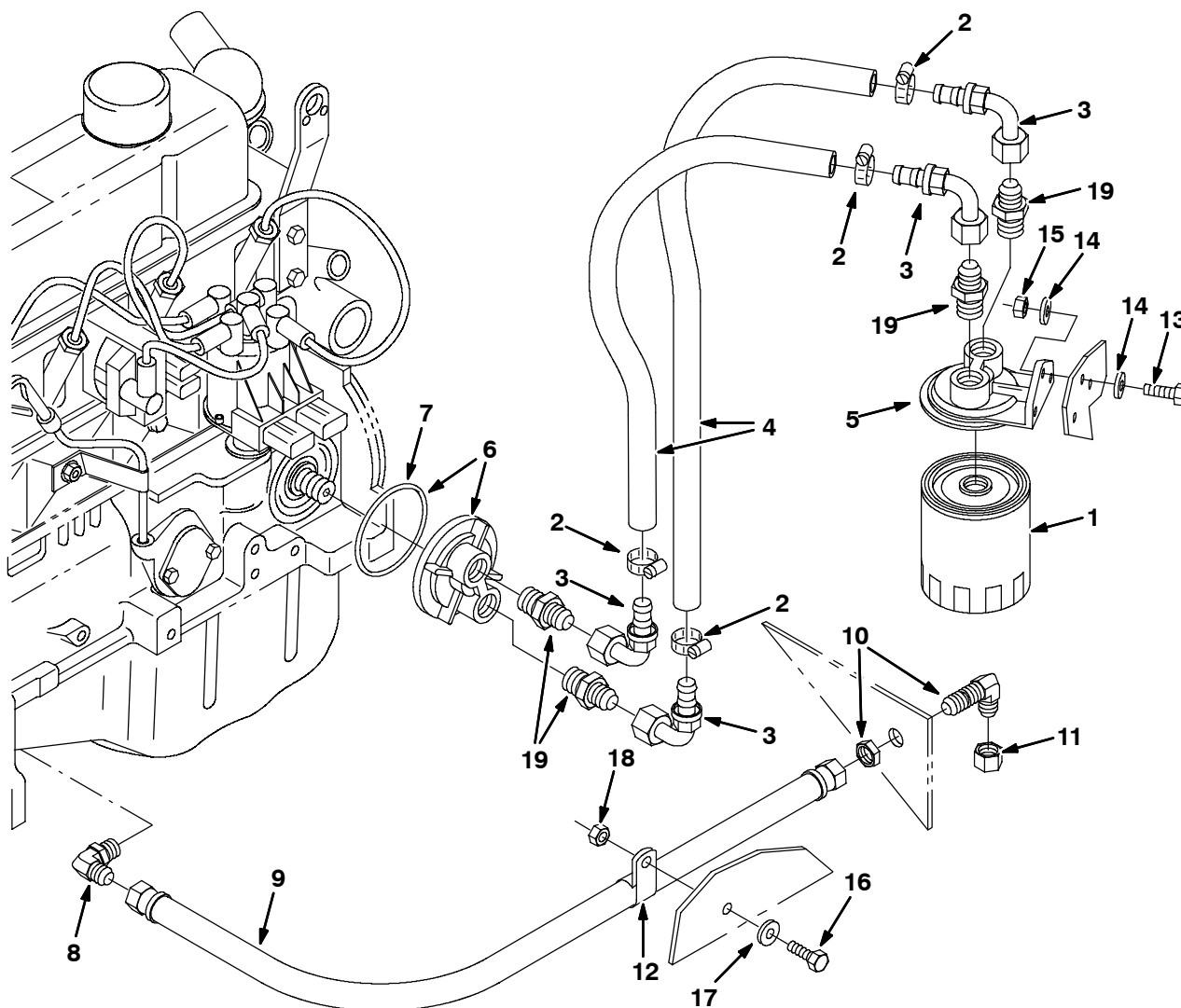


Fig. 39 - Engine Muffler Group, Gas/LPG (001538-)

Ref.	Part No.	Serial Number	Description	Qty.
1	1032391	(001538-) Tube, Exhaust, 2.0d [550/1550 07]	1
2	76570	(001538-) Screw, Hex, M8 X 1.25 X 30, 8.8	3
3	32492	(001538-) Washer, Flat, 0.38, Std	8
4	1032477	(001538-) Tube, Exhaust, 1.6d, 2 Sl Flng [550 07]	1
5	1030533	(001538-) Muffler, Catalytic [Gm 3.0l 2007]	1
6	1011216	(001538-) Gasket, Exhaust, .07, 1.63id, 2/3.4bc	2
7	27988	(001538-) Screw, Hex, .38-16 X 1.50, G5	4
8	03556	(001538-) Nut, Hex, Flexlock, .38-16	4
9	1033739	(001538-) Gasket Flng, Exhaust	1
10	1015638	(001538-) Rod, Hanger	2
11	25014	(001538-) Nut, Hex, Std, .38-16	2
12	1032569	(001538-) Plate, Hanger, Exhaust [550/1550 07]	1
13	1013031	(001538-) Isolator, Rbr	1
14	1032823	(001538-) Bracket, Pipe, Exhaust [550/1550 07]	1
15	1013590	(001538-) Isolator, Vib, Bshg, 1.1d 0.6l .4b 0.78h	2
16	76957	(001538-) Screw, Hex, .31-18 X 1.50, G5	2
17	39350	(001538-) Washer, Flat, 0.75, Sae	2
18	32491	(001538-) Washer, Flat, 0.31, Std	8
19	32983	(001538-) Nut, Hex, Lock, .31-18, NI	2
20	24012	(001538-) Clamp, Muffler, 1.62d	1
21	1032774	(001538-) Bracket, Shield, Heat [550/1550 07]	1
22	87308	(001538-) Screw, Hex, M6 X 1.00 X 12, 8.8	1
23	32483	(001538-) Washer, Flat, 0.25, Sae	1
24	39277	(001538-) Screw, Hex, M8 X 1.25 X 25, 8.8	1
25	07791	(001538-) Nut, Hex, Flng, M8 X 1.25	1
26	1032778	(001538-) Shield, Heat [550/1550 07]	1
27	54396	(001538-) Screw, Hex, .31-18 X 0.75, G5	4
28	1017241	(001538-) Plate, Eng	1
29	1028558	(001538-) Sensor, Exhaust, Tailpipe	1
30	1028559	(001538-) Sensor, Oxygen [Gm 1.6l/3.0l 2007]	1

STANDARD PARTS

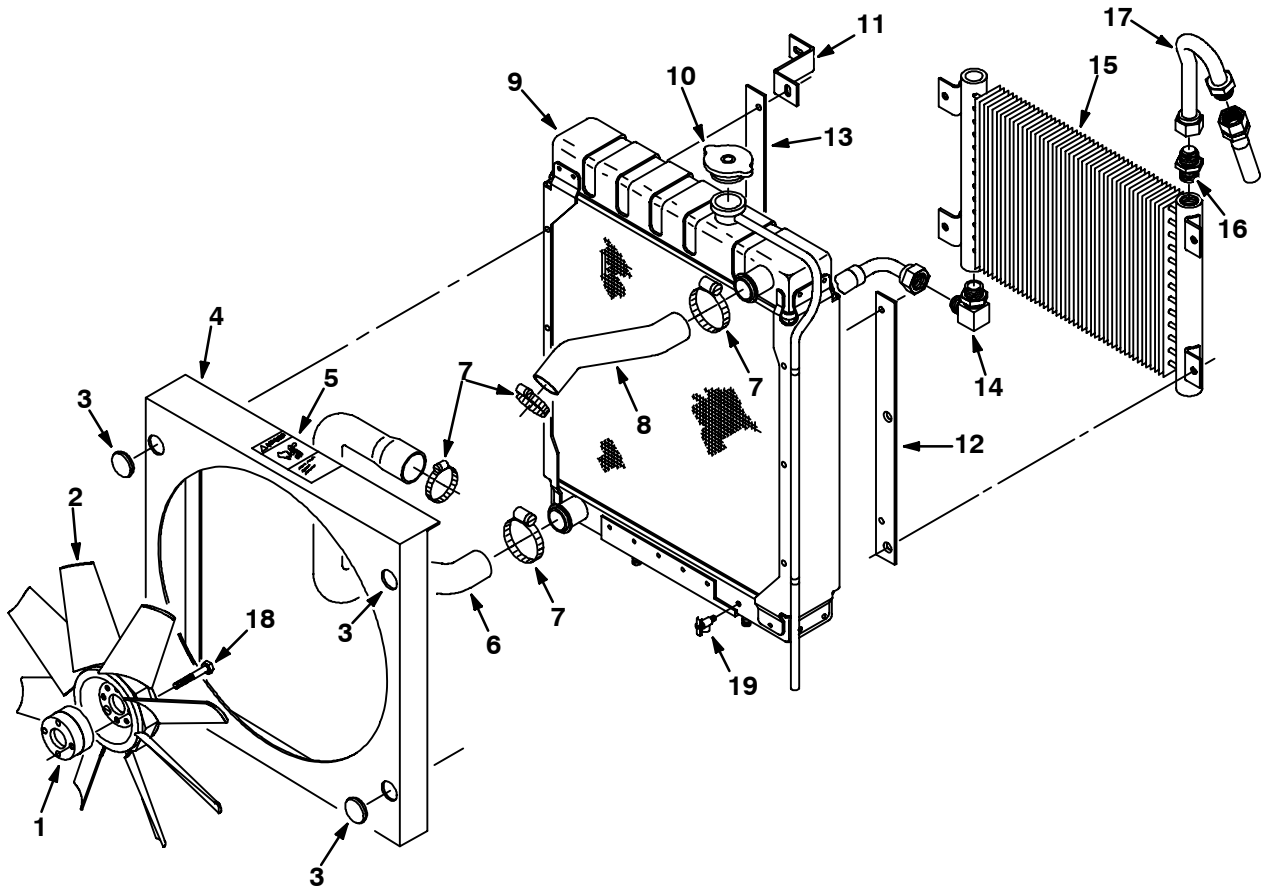
Fig. 40 - Engine Oil Filter and Drain Group, Gas/LPG (001424-)



353629 - 1550, 550, G, LP

Ref.	Part No.	Serial Number	Description	Qty.
1	393982	(001424-)	Filter, Oil (Gas, Lpg)	1
2	11399	(001424-)	Clamp, Hose, Wormdrive, 0.81-1.50d	4
3	371500	(001424-)	Fitting, 90 Deg	4
4	371502	(001424-)	Hose, .50	2
5	371503	(001424-)	Mount, Filter, Remote	1
▽	6	371504	Adaptor, Filter, Remote	1
▲	7	1032382	Seal, Org, .139 X 03.109 Id	1
8	392545	(001424-)	Fitting, Hyd, E90, Jm06/Om05	1
9	76762	(001424-)	Hose, Hyd,Low06, Jf06str /Jf06str , 26.0	1
10	57075	(001424-)	Fitting, Hyd, E90, Jm06/Jm06	1
11	40625	(001424-)	Fitting, Hyd, Cap Jf06	1
12	82829	(001424-)	Clamp, Cable, Stl, 0.63d X 0.75w, 1h	1
13	76956	(001424-)	Screw, Hex, .31-18 X 1.25, 5	3
14	32491	(001424-)	Washer, Flt, .31 Std	6
15	32983	(001424-)	Nut, Hex, Lock, .31-18, NI	3
16	42370	(001424-)	Screw, Hex, .31-18 X 1.25, Ss	1
17	01685	(001424-)	Washer, Flt, .31 Ss	1
18	41437	(001424-)	Nut, Hex, Lock, .31-18, NI, Ss	1
19	371505	(001424-)	Fitting	4

Fig. 41 - Engine Radiator and Hydraulic Cooler Group (001000-001423)



00762 - 550, 1550

Ref.	Part No.	Serial Number	Description	Qty.
1	391858	(001000-001423)	Spacer, Fan	1
2	375585	(001000-001423)	Fan	1
3	50967	(001000-001423)	Plugbutton	4
4	50817	(001000-001423)	Shroud, Fan	1
5	68962	(001000-001423)	Label, Engine Fan	1
6	25179	(001000-001423)	Hose, Radiator	1
7	11531	(001000-001423)	Clamp, Worm Drive	4
8	16820	(001000-001423)	Hose, Radiator	1
▽ 9	61611	(001000-001423)	Radiator	1
▲ 10	51321-3	(001000-001423)	Cap, Radiator	1
11	75486A	(001000-001423)	Bracket, Radiator	1
12	76596A-1	(001000-001423)	Strip, Mounting	1
13	76596A	(001000-001423)	Strip, Mounting	1
14	46481	(001000-001423)	Fitting, Elbow	1
15	31592	(001000-001423)	Cooler, Hydraulic	1
16	42260	(001000-001423)	Fitting, Straight	1
17	78144B	(001000-001423)	Tube Assembly, Hydraulic	1
18	39279	(001000-001423)	Screw, Hex, M8	4
19	51305	(001000-001423)	Cock, Drain	1

Fig. 42 - Engine Radiator and Hydraulic Cooler Group, Gas/LPG (001424-001505)

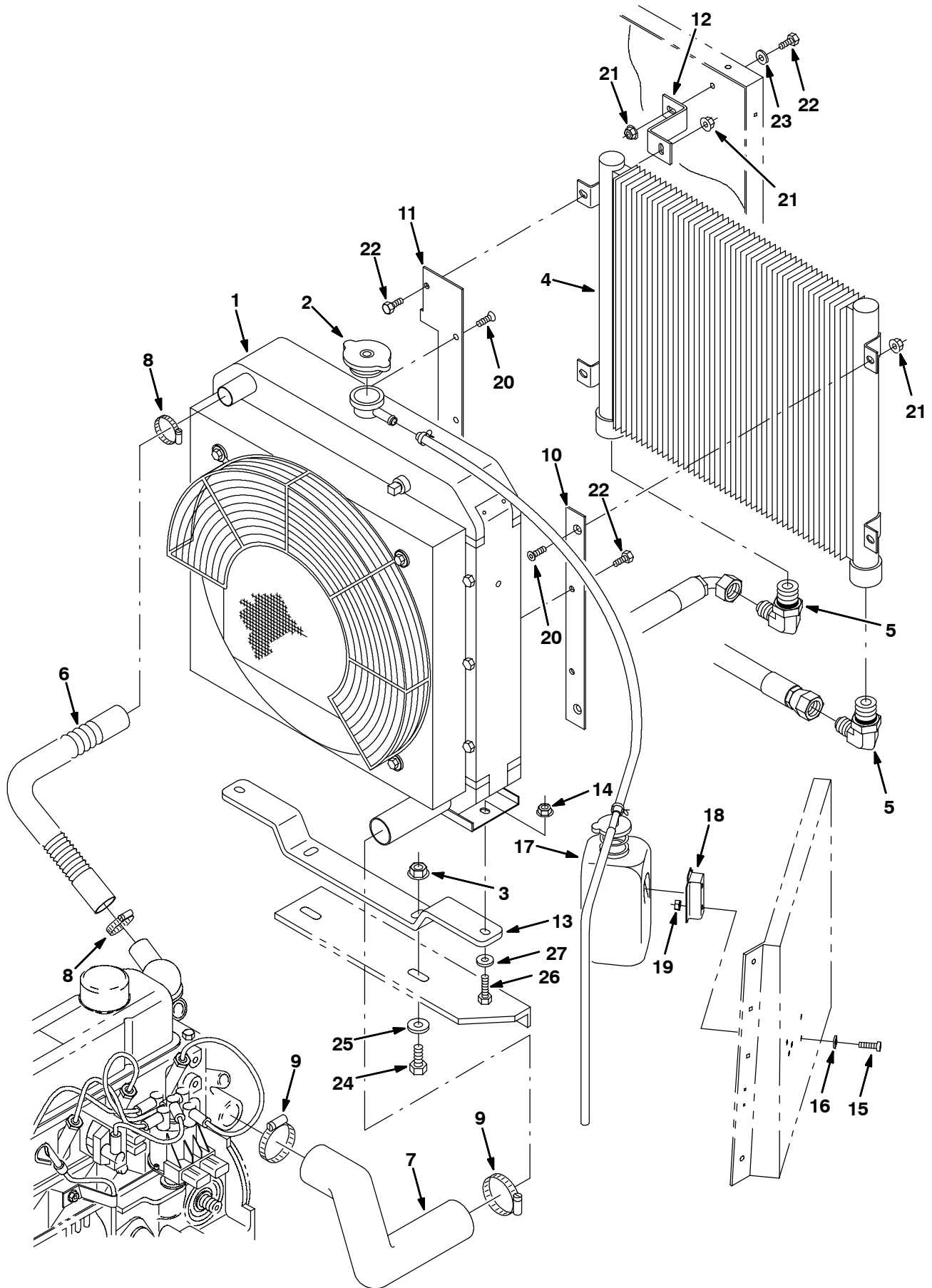


Fig. 42 - Engine Radiator and Hydraulic Cooler Group, Gas/LPG (001424-001505)

Ref.	Part No.	Serial Number	Description	Qty.
1	371575	(001424-001505)	Radiator Assy	1
2	368132	(001424-001505)	Cap, Radiator, 15psi	1
3	27981	(001424-001505)	Nut, Hex, Flng, .50-13	2
4	73106	(001424-001505)	Cooler, Hyd 25gpm 400btu Of16 19x18x2	1
5	52911	(001424-001505)	Fitting, Hyd, E90, Jm12/Om16	2
6	393970	(001424-001505)	Hose, Radiator, Upper	1
7	393971	(001424-001505)	Hose, Radiator, Lower	1
8	11399	(001424-001505)	Clamp, Hose, Wormdrive, 0.81-1.50d	2
9	20983	(001424-001505)	Clamp, Hose, Wormdrive, 3.25-4.12d	2
10	392534	(001424-001505)	Strip, Cooler, Mtg	1
11	392530	(001424-001505)	Strip, Cooler, Mtg	1
12	75486A	(001424-001505)	Bracket, Radiator	1
13	371579	(001424-001505)	Bracket, Radiator	1
14	27980	(001424-001505)	Nut, Hex, Flng, .38-16	2
15	09164	(001424-001505)	Screw, Pan, M06 X 1.0 X 20, 4.8	2
16	32490	(001424-001505)	Washer, Flt, .25 Std	2
17	87972	(001424-001505)	Tank, Recovery	1
18	382507	(001424-001505)	Bracket, Mtg, Overflow	1
19	08708	(001424-001505)	Nut, Hex, Lock, M06 X 1.0, NI	2
20	45299	(001424-001505)	Screw, Flt, .31-18 X 0.75, Al	4
21	27979	(001424-001505)	Nut, Hex, Flng, .31-18	5
22	54395	(001424-001505)	Screw, Hex, .31-18 X 0.62, 5	5
23	32491	(001424-001505)	Washer, Flt, .31 Std	1
24	39810	(001424-001505)	Screw, Hex, .50-13 X 1.25, 5	2
25	32493	(001424-001505)	Washer, Flt, .50 Std	2
26	21198	(001424-001505)	Screw, Hex, .38-16 X 1.25, 5	2
27	32492	(001424-001505)	Washer, Flt, .38 Std	2

STANDARD PARTS

Fig. 43 - Engine Radiator and Hydraulic Cooler Group, Gas/LPG (001508-)

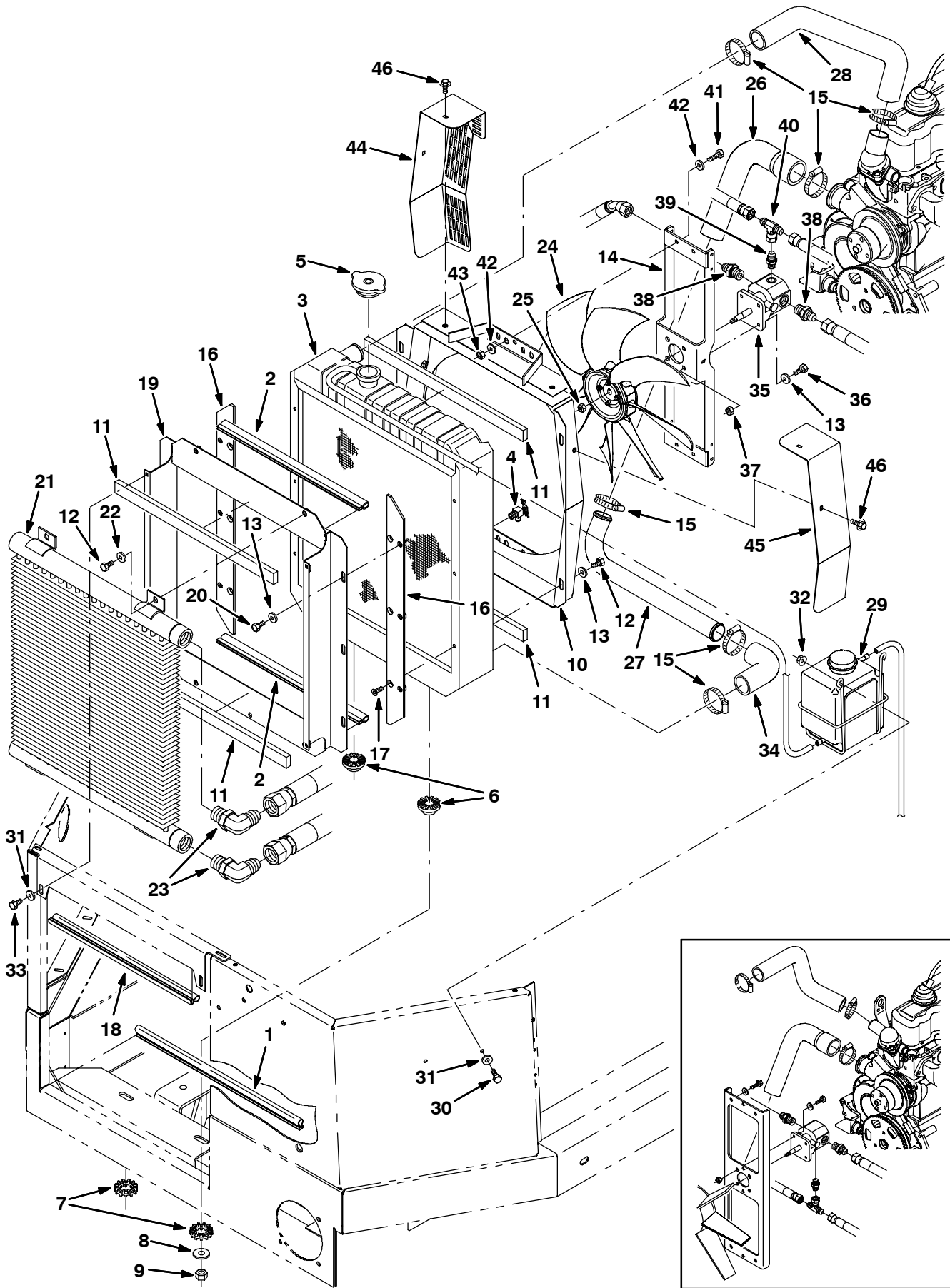


Fig. 43 - Engine Radiator and Hydraulic Cooler Group, Gas/LPG (001508-)

Ref.	Part No.	Serial Number	Description	Qty.
1	77342	(001508-) Seal, Bulb, 90, 1.33 .06-.09grip 026.0l	1
2	365356	(001508-) Seal, Bulb, 90, 1.33 .06-.09grip 017.0l	2
3	61608	(001508-) Radiator	1
4	51305	(001508-) Fitting, Draincock, .25npt 90	1
5	1045764	(001508-) Cap, Radiator, 14psi, [Stant]	1
6	64621	(001508-) Isolator, Vib, Bshg, 1.9d 0.9l .6b 1.16h	2
7	64618	(001508-) Isolator, Vib, Ring, 1.9d 0.5l 1.3b	2
8	32493	(001508-) Washer, Flat, 0.50 Std	2
9	32985	(001508-) Nut, Hex, Lock, .50-13, NI	2
10	9001222	(001508-) Shroud Wldt, Fan, Radiator, W/ Label	1
11	63818	(001508-) Seal, Ure, 0.75 1.12w 19.0l Adh	4
12	54395	(001508-) Screw, Hex, .31-18 X 0.62, 5	8
13	32491	(001508-) Washer, Flat, 0.31 Std	14
14	1015264	(001508-001537) Channel, Mtg, Fan Motor	1
14	1044757	(001538-) Bracket Wldt, Mtg, Motor [550/1550 2007]	1
15	79381	(001508-) Clamp, Hose, Wormdrive, 1.25-2.00d, .50w	6
16	1014573	(001508-) Strip, Mtg, Cooler	2
17	39537	(001508-) Screw, Flt, .31-18 X 0.50, Al	6
18	10576	(001508-) Seal, Bulb, 90, 0.50d .06-.09grip 022.5l	1
19	1014394	(001508-) Shroud Wldt, Radiator / Hyd Cooler	1
20	54394	(001508-) Screw, Hex, .31-18 X 0.50, 5	6
21	73106	(001508-) Cooler, Hyd, 30gpm 800btu	1
22	39349	(001508-) Washer, Flat, 0.31 Sae	4
23	53077	(001508-) Fitting, Hyd, E90, Jm16/Om16	2
24	1020891	(001508-001537) Fan, Cooling, 18.0d, 8 Blade, 0.5b,Taper	1
24	1033497	(001538-) Fan, Cooling, 18.0d, 8 Blade, 0.5b Taper	1
25	08709	(001508-) Nut, Hex, Lock, M8 X 1.25, NI	1
26	392647	(001508-) Hose, Coolant, 1.50id To 1.75id, Mold	1
27	1014490	(001508-) Tube, Coolant, 1.5d Lower	1
28	1016121	(001508-001537) Hose, Coolant, Mold, 1.50id To 1.50id	1
28	1032815	(001538-) Hose, Mold, 1.88od To 1.50id [550 07]	1
29	768897	(001508-) Tank, Coolant, 06.0 04.5 06.9deep 2.5 Qt	1
30	25046	(001508-) Screw, Hex, .25-20 X 1.00, 5	2
31	32490	(001508-) Washer, Flat, 0.25 Std	4
32	27978	(001508-) Nut, Hex, Flng, .25-20	2
33	19316	(001508-) Screw, Hex, .25-20 X 0.62, 5	2
34	54884	(001508-) Hose, Rbr, E90 1.50id 1.50id 04.0 02.8	1
35	1019272	(001508-) Motor, Hyd, Gear, [Ex] 0.32 R 3000 (See Breakdowns)	1
36	39277	(001508-) Screw, Hex, M8 X 1.25 X 25, 8.8	4
37	08709	(001508-) Nut, Hex, Lock, M8 X 1.25, NI	4
38	56692	(001508-) Fitting, Hyd, Str, Jm08/Om10	2
39	50960	(001508-) Fitting, Hyd, Str, Jm06/Om04	1
40	35586	(001508-) Fitting, Hyd, Tee, Jf06/Jm06/Jm06, Br	1
41	06943	(001508-) Screw, Hex, M6 X 1.0 X 20, 8.8	4
42	32483	(001508-) Washer, Flat, 0.25 Sae	8
43	08708	(001508-) Nut, Hex, Lock, M6 X 1.0, NI	4
44	1035814	(001538-) Guard, Rh, Fan, [550 2007 Engines]	1
45	1035837	(001538-) Guard, Lh, Fan, [550 2007 Engines]	1
46	41195	(001538-) Screw, Hex, .31-18 X 0.75, Fmg, PI	4

Fig. 44 - Engine Fan and Pulley Group, Gas/LPG (001424-001505)

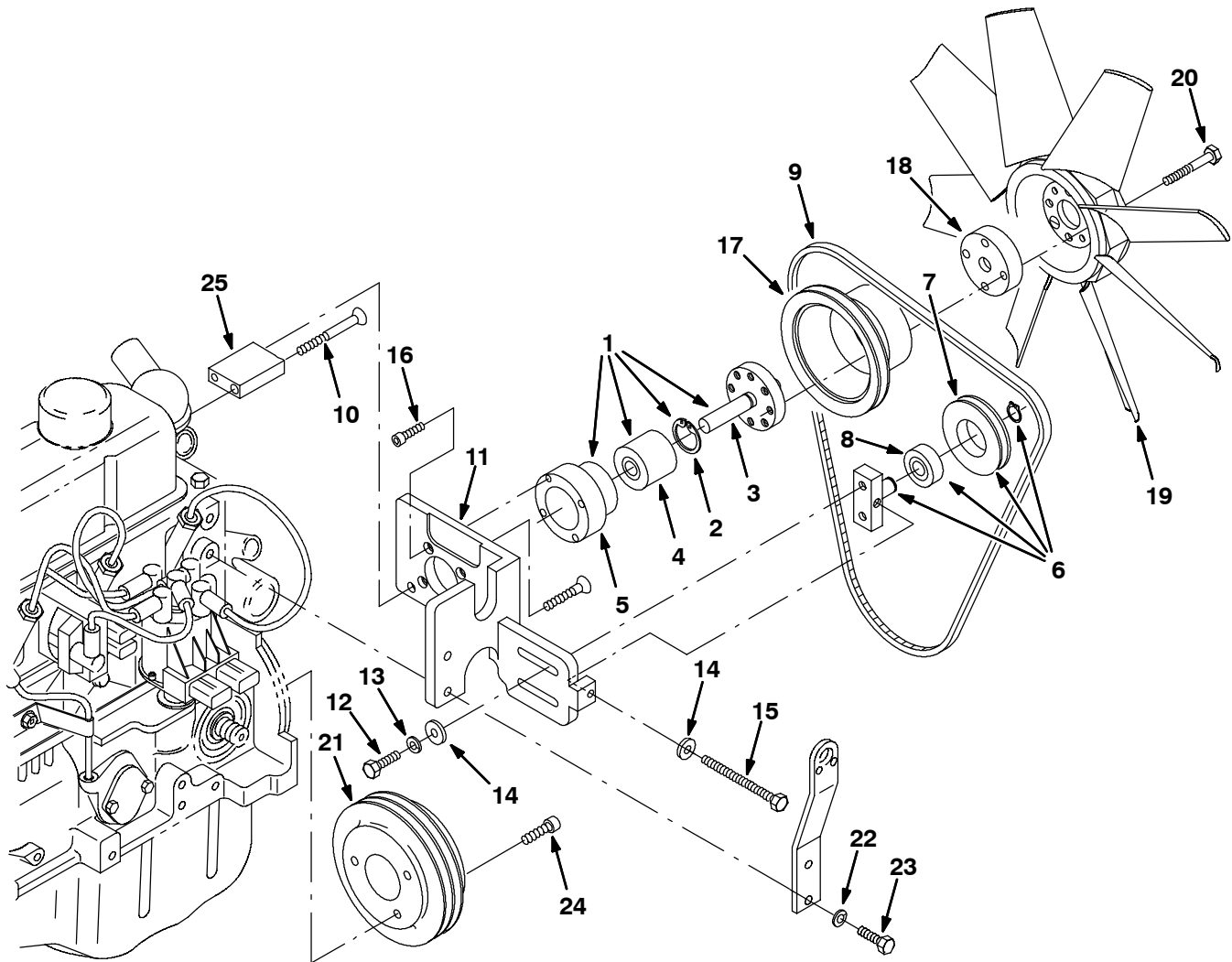
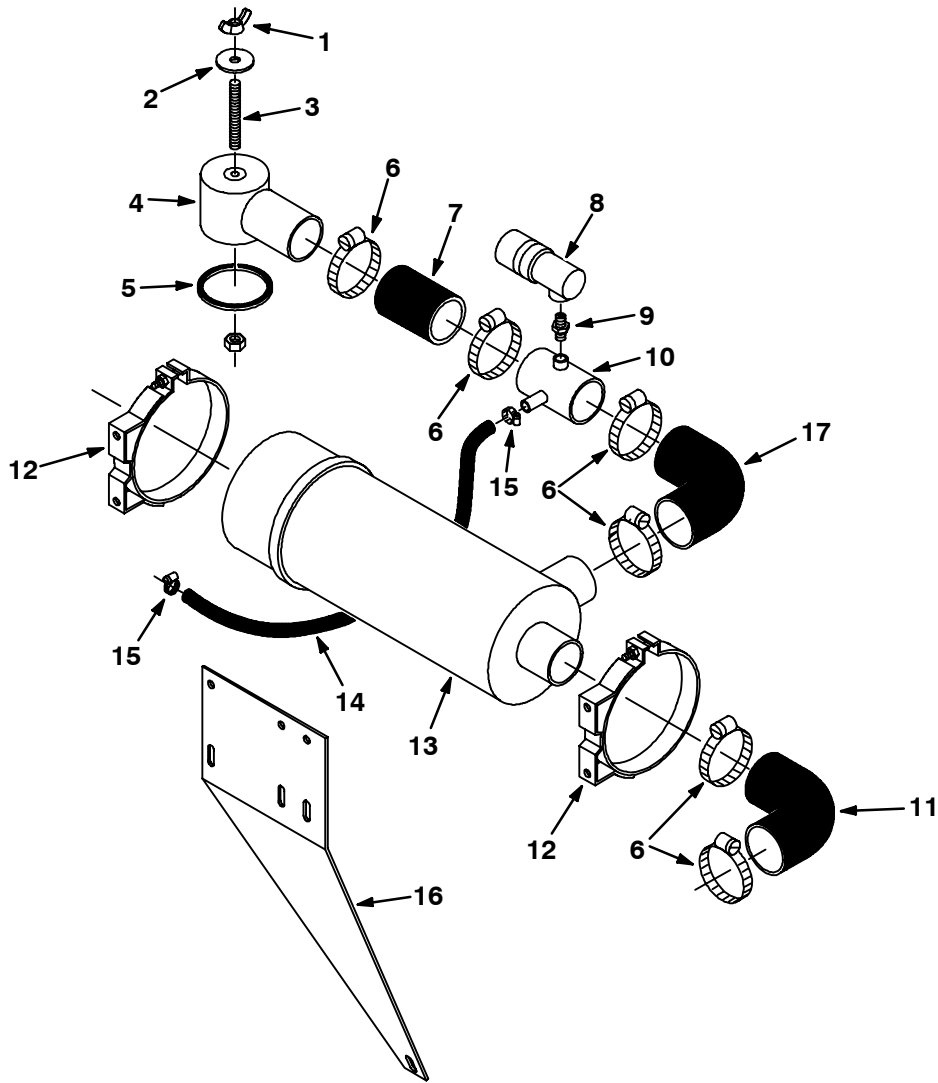


Fig. 44 - Engine Fan and Pulley Group, Gas/LPG (001424-001505)

Ref.	Part No.	Serial Number	Description	Qty.
▽	1	371561	(001424-001505) Housing Assy, Hub	1
▲	2	371557	(001424-001505) Ring, Retaining	1
▲	3	371558	(001424-001505) Base, Brg Hsng	1
▲	4	371559	(001424-001505) Hub	1
▲	5	371560	(001424-001505) Bearing	1
▽	6	371563	(001424-001505) Pulley Assy, Idler	1
▲	7	371568	(001424-001505) Pulley, Idler	1
▲	8	371570	(001424-001505) Bearing, Idler Pulley	1
	9	393986	(001424-001505) Belt, Fan	1
	10	393996	(001424-001505) Screw, Flt, .38-16 X 3.25	1
	11	371564	(001424-001505) Plate	1
	12	21198	(001424-001505) Screw, Hex, .38-16 X 1.25, 5	2
	13	371565	(001424-001505) Washer, Lock, .38	2
	14	32485	(001424-001505) Washer, Flt, .38 Sae	3
	15	371566	(001424-001505) Screw, .38-16 X 4.0	1
	16	371567	(001424-001505) Screw, Soc, .31-18 X 1.0	4
	17	393998	(001424-001505) Pulley, Fan	1
	18	392539	(001424-001505) Spacer, Fan	1
	19	375585	(001424-001505) Fan, Cooling, 18.0d, 8 Blade, 2.2d Bc	1
	20	371582	(001424-001505) Screw, Hex, .31-24 X 1 .50	4
	21	371545	(001424-001505) Pulley, Crank	1
	22	371509	(001424-001505) Washer, Lock, .38	2
	23	27988	(001424-001505) Screw, Hex, .38-16 X 1.50, 5	2
	24	371639	(001424-001505) Screw, Soc, .38-24 X 1.00	3
	25	1025278	(001424-001505) Block, Spacer, Fan Mount	3

STANDARD PARTS

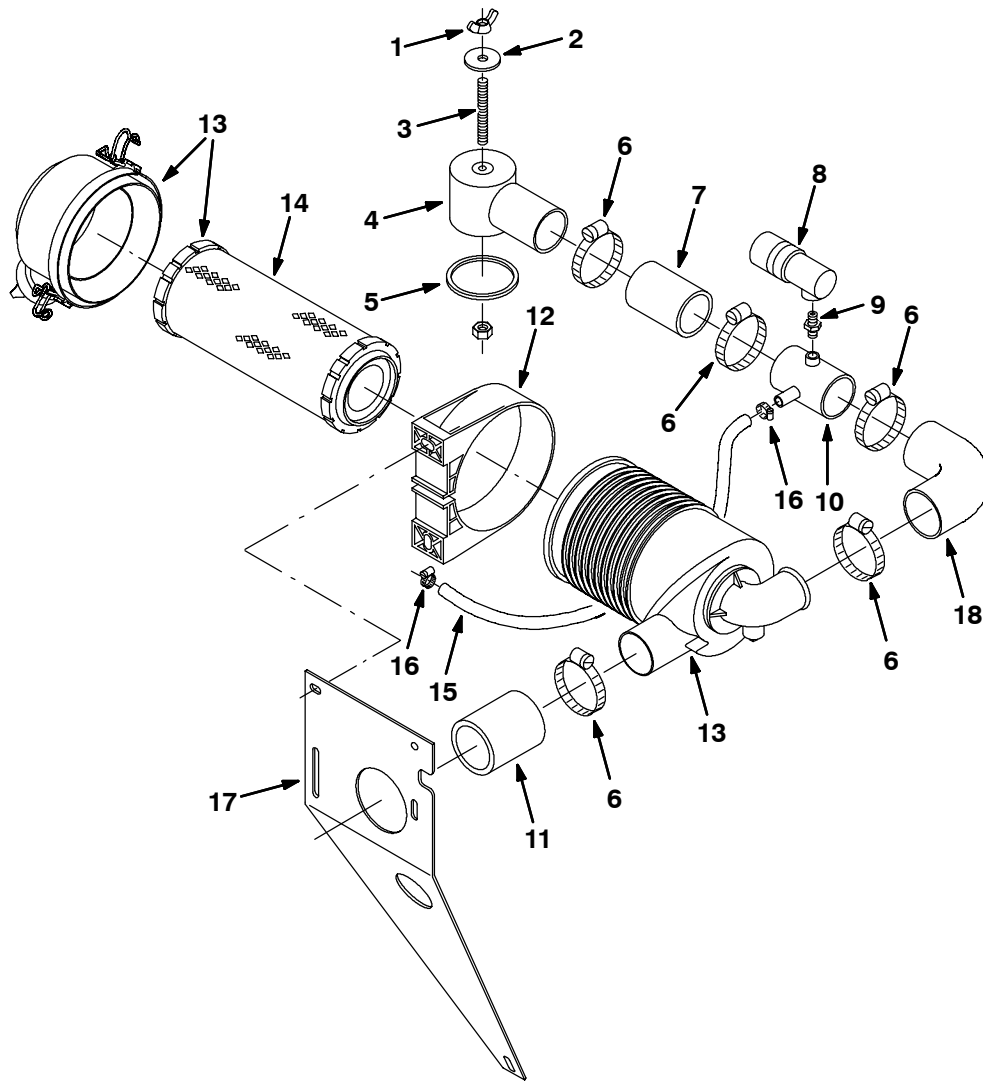
Fig. 45 - Engine Air Cleaner Group, Gas (001000-001402)



00107 - 550, 1550, G

Ref.	Part No.	Serial Number	Description	Qty.
1	26509	(001000-001402)	Nut, Wing	1
2	24924	(001000-001402)	Washer, Nylon	1
3	34996	(001000-001402)	Stud	1
4	34997	(001000-001402)	Elbow, Carburetor	1
5	16738	(001000-001402)	Gasket, Carburetor Air Horn	1
6	22297	(001000-001402)	Clamp, Worm Drive	6
7	15543	(001000-001402)	Coupling, Air Cleaner Tube	1
8	51658-5	(001000-001402)	Indicator, Filter Service	1
9	51560-5	(001000-001402)	Adapter, Filter, 1/8NPT	1
10	09725	(001000-001402)	Tube, Air Cleaner	1
11	76825	(001000-001402)	Elbow, Carburetor	1
12	51560-3	(001000-001402)	Clamp, Mounting	2
▽	398296	(001000-001402)	Kit, Replacement, Air Cleaner F/76827	1
▲	58120	(001000-001402)	Element, Air Filter	1
14	47826	(001000-001402)	Hose, Rubber	1
15	54333	(001000-001402)	Clamp, Worm Drive	2
16	76332	(001000-001402)	Brace, Rear Shroud	1
17	10509	(001000-001402)	Elbow, Air Cleaner	1

Fig. 46 - Engine Air Cleaner Group, Gas (001403-001423)



00107 - 550, 1550, G

Ref.	Part No.	Serial Number	Description	Qty.	
1	26509	(001403-001423)	Nut, Wing	1	
2	24924	(001403-001423)	Washer, Nylon	1	
3	34996	(001403-001423)	Stud	1	
4	34997	(001403-001423)	Elbow, Carburetor	1	
5	16738	(001403-001423)	Gasket, Carburetor Air Horn	1	
6	22297	(001403-001423)	Clamp, Worm Drive	5	
7	15543-2	(001403-001423)	Coupling, Air Cleaner Tube	1	
8	51658-5	(001403-001423)	Indicator, Filter Service	1	
9	51560-5	(001403-001423)	Adapter, Filter, 1/8NPT	1	
10	09725	(001403-001423)	Tube, Air Cleaner	1	
11	15543	(001403-001423)	Elbow, Carburetor	1	
12	369747	(001403-001423)	Clamp, Mounting	1	
▽	13	369745	(001403-001423)	Air Cleaner	1
▲	14	369746	(001403-001423)	Element, Air Filter	1
15	47826	(001403-001423)	Hose, Rubber	1	
16	54333	(001403-001423)	Clamp, Worm Drive	2	
17	369751	(001403-001423)	Brace, Rear Shroud	1	
18	10509	(001403-001423)	Elbow, Air Cleaner	1	

Fig. 47 - Engine Air Cleaner Group, Gas/LPG (001424-001505)

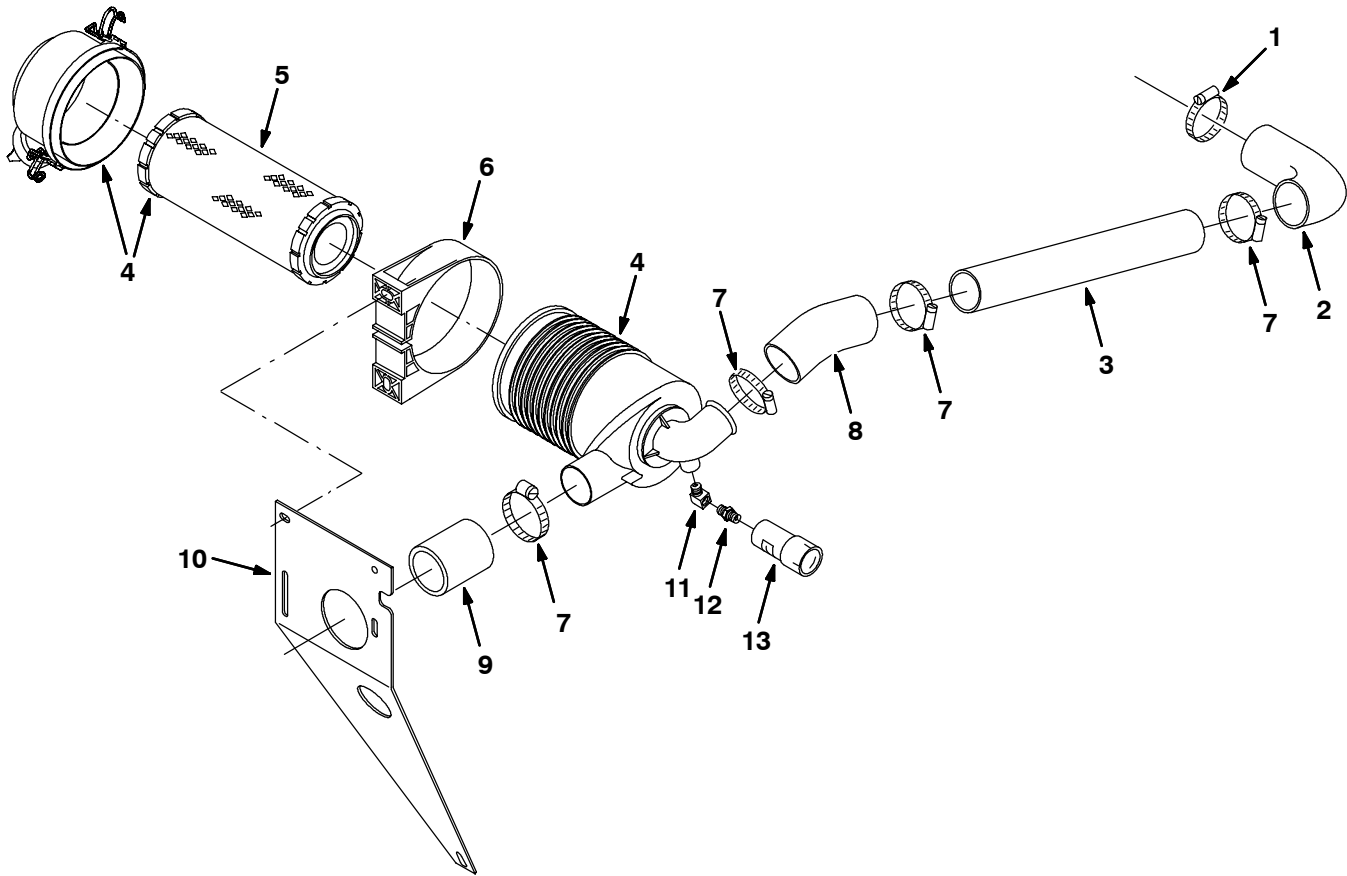


Fig. 47 - Engine Air Cleaner Group, Gas/LPG (001424-001505)

Ref.	Part No.	Serial Number	Description	Qty.
1	43555	(001424-001505)	Clamp, Hose, Wormdrive, 1.62-3.50d	1
2	371565	(001424-001505)	Hose, Rbr, E90	1
3	371581	(001424-001505)	Pipe, Air Cleaner	1
▽	4	369745	(001424-001505) Filter, Air Cleaner Assembly	1
▲	5	369746	(001424-001505) Element, Fltr, Air	1
6	369747	(001424-001505)	Clamp, Mounting, Air Cleaner	1
7	22297	(001424-001505)	Clamp, Hose, Wormdrive, 1.56-2.50d	4
8	10509	(001424-001505)	Hose, Rbr, E90 2.00id 2.00id 03.5 2.3	1
9	15543	(001424-001505)	Hose, Rbr, 2.00id 2.50od 03.0l	1
10	369751	(001424-001505)	Brace, Rear Shroud	1
11	11984	(001424-001505)	Fitting, Pipe, E90, Pm02/Pf02	1
12	51560-5	(001424-001505)	Fitting, Brs, Str, 02mp, Service	1
13	03026	(001424-001505)	Indicator, Air Filter	1

STANDARD PARTS

Fig. 48 - Engine Air Cleaner Group, Gas (001508-)

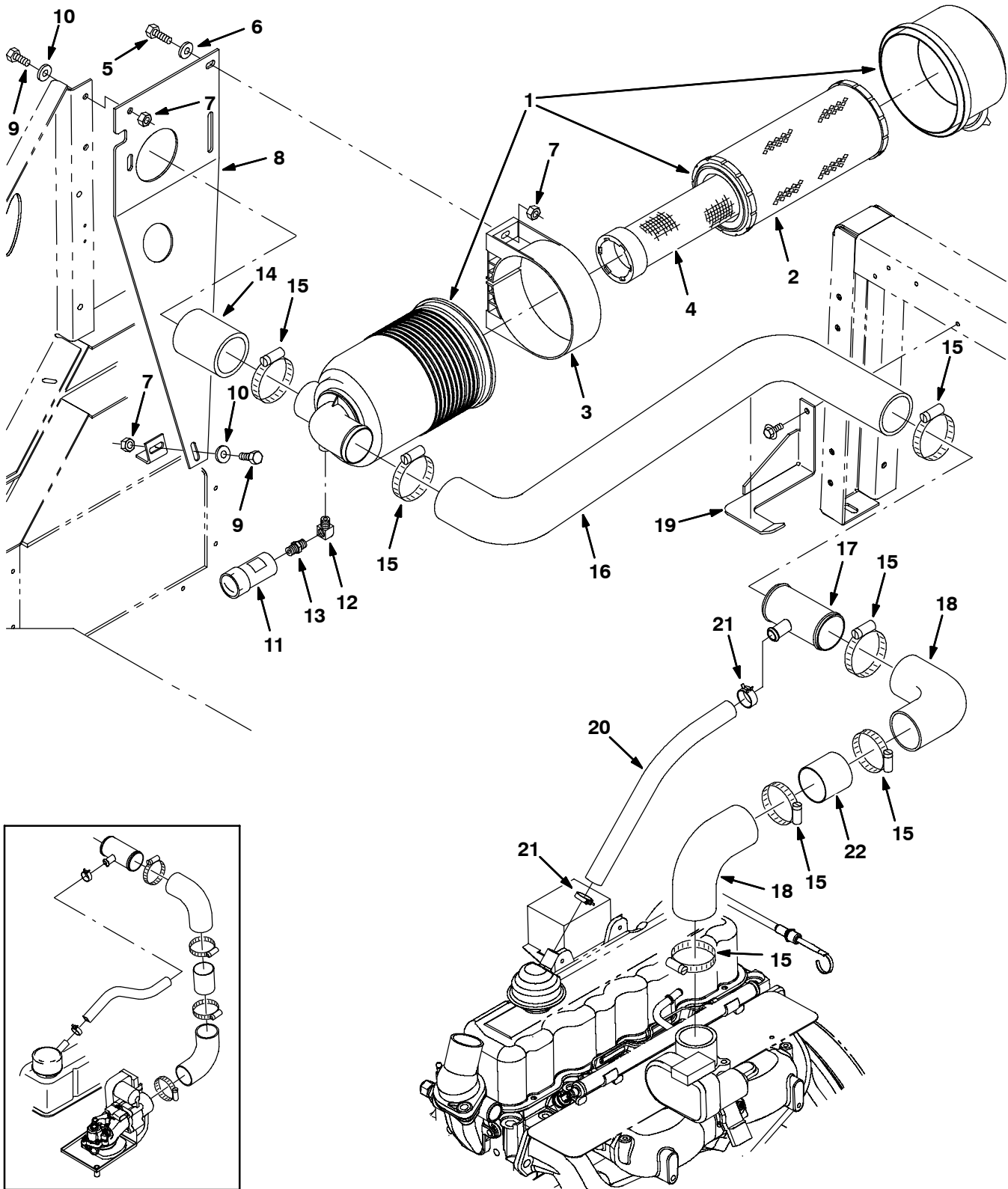


Fig. 48 - Engine Air Cleaner Group, Gas (001508-)

Ref.	Part No.	Serial Number	Description	Qty.
▽	1	369745	(001508-) Filter, Assy, Air	1
▲	2	369746	(001508-) Element, Fltr, Air, [Dn#P831424]	1
	3	369747	(001508-) Clamp, Mtg, Filter, Air	1
	4	398279	(001508-) Element, Fltr, Air, [Dnp822858] Safety	1
	5	76955	(001508-) Screw, Hex, .31-18 X 1.00, 5	2
	6	39349	(001508-) Washer, Flat, 0.31 Sae	2
	7	32983	(001508-) Nut, Hex, Lock, .31-18, NI	5
	8	369751	(001508-) Brace, Rear Shroud	1
	9	54396	(001508-) Screw, Hex, .31-18 X 0.75, 5	3
	10	32491	(001508-) Washer, Flat, 0.31 Std	3
	11	03026	(001508-) Indicator, Service, Air Filter 20h20 Dn	1
	12	11984	(001508-) Fitting, Pipe, E90, Pm02/Pf02	1
	13	51560-5	(001508-) Fitting, Brs, Str, Pm02, Service	1
	14	15543	(001508-) Hose, Rbr, 2.00id 2.50od 03.0l	1
	15	22297	(001508-) Clamp, Hose, Wormdrive, 1.56-2.50d, .50w	7
	16	1014712	(001508-) Hose, Intake, Mold, E90 E90 2.0id 2.0id	1
	17	1011780	(001508-) Tube Wldt, Tee	1
	18	76825	(001508-) Hose, Rbr, E90 2.00id 2.00id 03.5 03.5	2
	19	1016171	(001508-) Bracket, Sppt, Hose	1
	20	13124	(001508-) Hose, Heater, 0.62id 18.0l	1
	21	1011899	(001508-) Clamp, Hose, Spring Stl, 0.86d X 0.38w	2
	22	79536	(001508-) Tube, 02.00d 01.88b 02.5l Ss	1

Fig. 49 - Engine Fuel Tank Group, Gas (001000-001423)

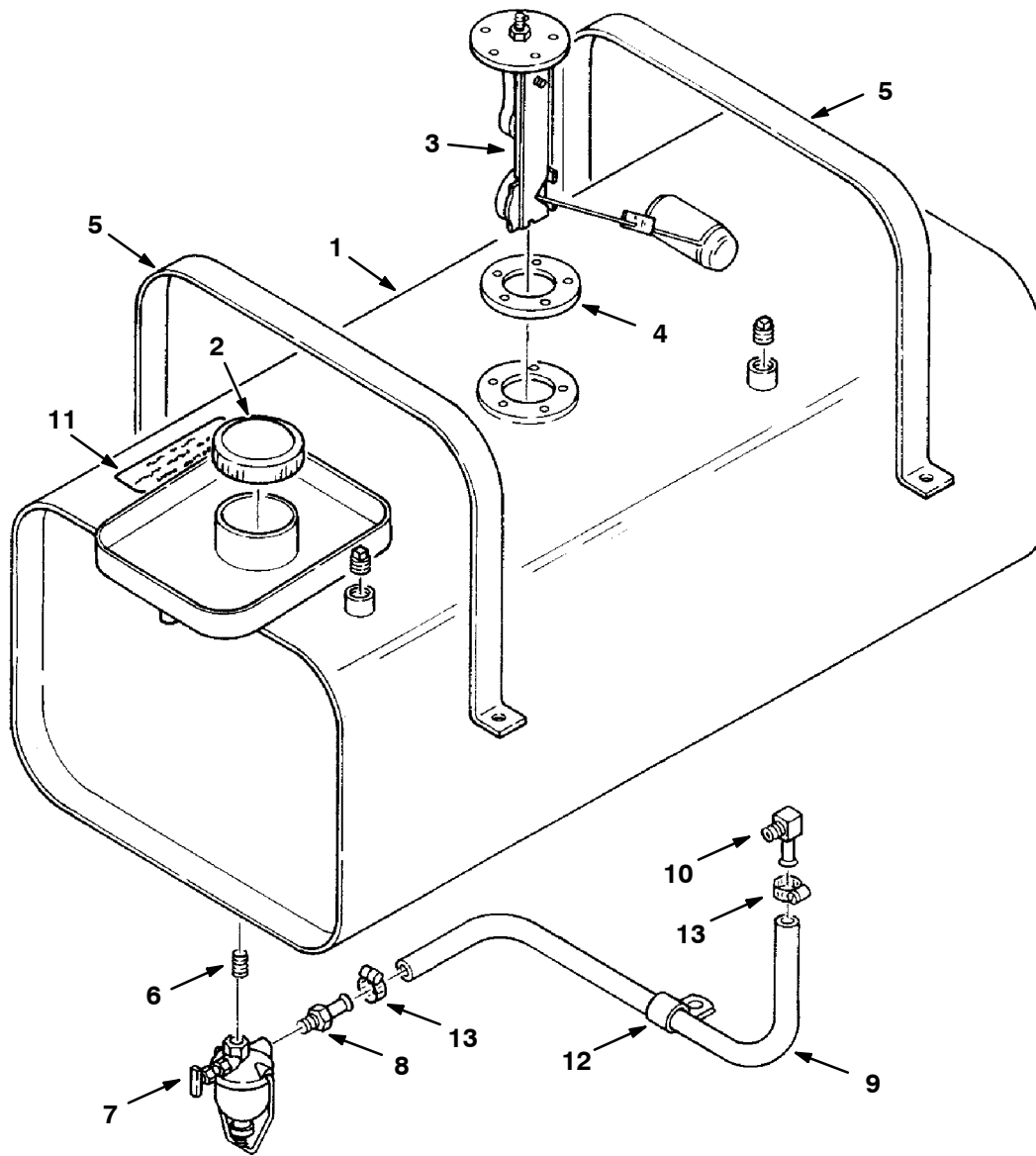


Fig. 49 - Engine Fuel Tank Group, Gas (001000-001423)

	Ref.	Part No.	Serial Number	Description	Qty.
▽	1	03977	(001000-001423)	Tank, Fuel	1
▲	2	48267	(001000-001423)	Cap, Fuel Tank	1
	3	07875	(001000-001423)	Sending Unit, Fuel Tank	1
	4	14131	(001000-001423)	Gasket	1
	5	04020	(001000-001423)	Clamp, Fuel Tank	2
	6	47566	(001000-001423)	Connector	1
	7	04601	(001000-001423)	Strainer, Fuel	1
	8	61686	(001000-001423)	Fitting, Straight	1
	9	61683	(001000-001423)	Hose, Fuel Line	1
	10	61687	(001000-001423)	Fitting, Elbow	1
	11	19048	(001000-001423)	Label, Gasoline Only	1
	12	82829	(001000-001423)	Clamp, Cable	1
	13	54333	(001000-001423)	Clamp, Worm Drive	2

STANDARD PARTS

Fig. 50 - Engine Fuel Tank Group, Gas (001424-001505)

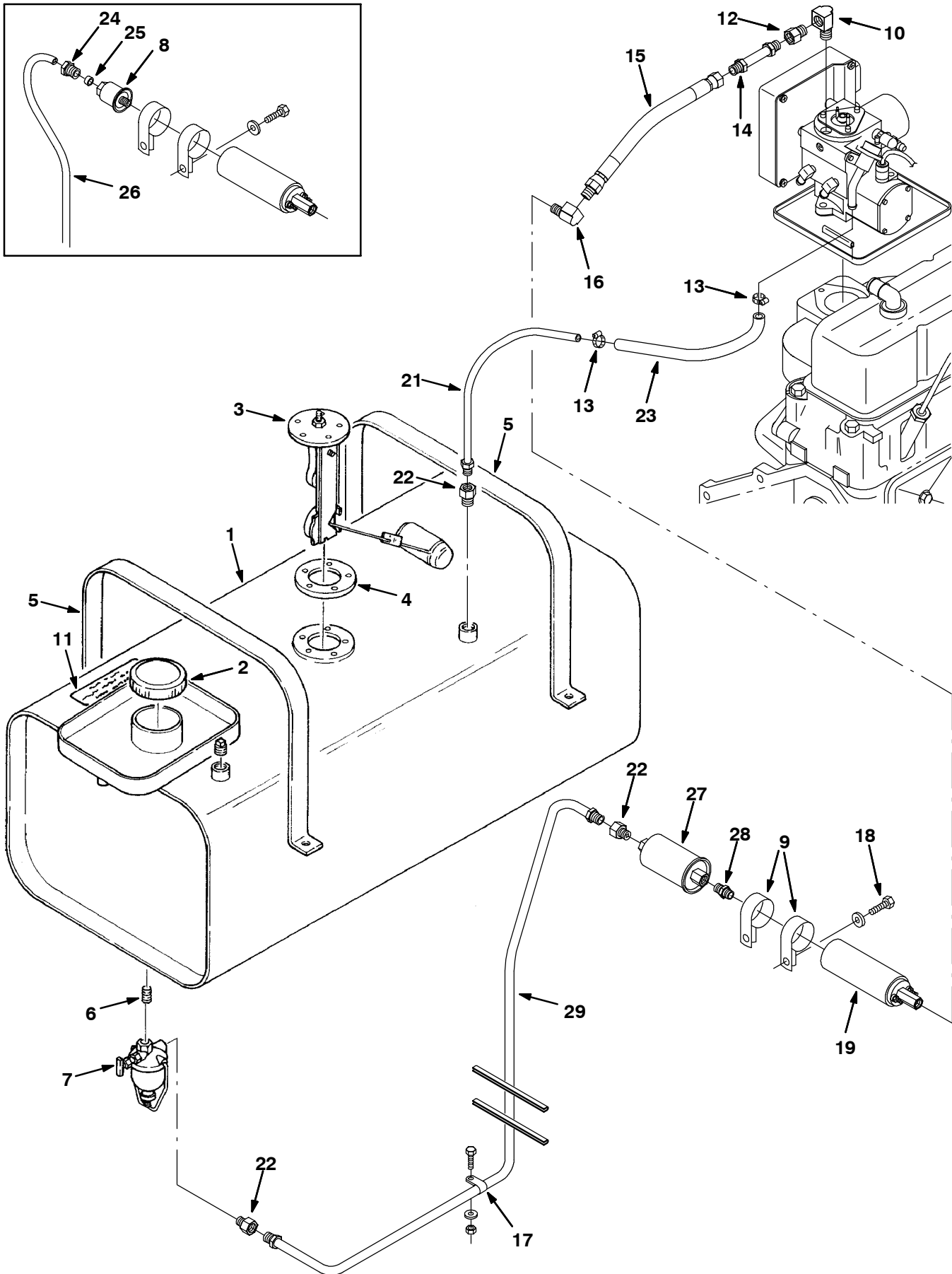


Fig. 50 - Engine Fuel Tank Group, Gas (001424-001505)

Ref.	Part No.	Serial Number	Description	Qty.
▽	1	03977	(001424-001505) Tank, Fuel	1
▲	2	48267	(001424-001505) Cap, Fuel Tank	1
	3	07875	(001424-001505) Sending Unit, Fuel Tank	1
	4	14131	(001424-001505) Gasket	1
	5	04020	(001424-001505) Clamp, Fuel Tank	2
	6	47566	(001424-001505) Connector	1
	7	04601	(001424-001505) Strainer, Fuel	1
	8	36050AM	(001424-001441) Filter, Fuel, In-line, 02pm/08if	1
	9	86328	(001424-001505) Clamp, Cable, Stl, 1.50d X 0.75w, 1h	1
	10	27048	(001424-001505) Fitting, Brs, E90, Pm04/Pf04	1
	11	19048	(001424-001505) Label, Gasoline Only	1
	12	78043	(001424-001505) Fitting, Brs, Str, Pm04/lf05	1
	13	43844	(001424-001505) Clamp, Hose, Wormdrive, 0.25-0.62d	2
	14	382266	(001424-001505) Fuelline, .31d 03.11 05if/05if Stl	1
	15	70173	(001424-001505) Hose, 0050, 04, 1m05str /lf05str , 10.0	1
	16	15555-1	(001424-001505) Fitting, Brs, E90, Pm02/lf05	1
	17	40678	(001424-001505) Clamp, Cable, Stl, 0.44d X 0.62w, 1h	1
	18	02182	(001424-001505) Screw, Hex, .25-20 X 1.00, NI	2
	19	371661	(001424-001505) Pump, Fuel, Gas	1
	20	391823	(001424-001505) Fitting, Brs, Str, Pm04/lf04	1
	21	16563	(001424-001505) Fuelline, Cpr .25d 04if/04if	1
	22	40585	(001424-001505) Fitting, Brs, Str, Pm02/lf05	2
	23	50047	(001424-001505) Hose, Fuel, 0.25id 13.0l	1
	24	32587	(001424-001441) Nut, Water Trap	1
	25	32590	(001424-001441) Olive, Rubber	1
	26	16562	(001424-001441) Tube Assembly	1
	27	21298	(001442-001505) Filter, Fuel, In-Line	1
	28	47566	(001442-001505) Fitting, Hyd, Str, Pm02/Pm02	1
	29	392559	(001442-001505) Fuelline, .31ld 05if/05if Stl	1

Fig. 51 - Engine Fuel Tank Group, Gas (001508-001537)

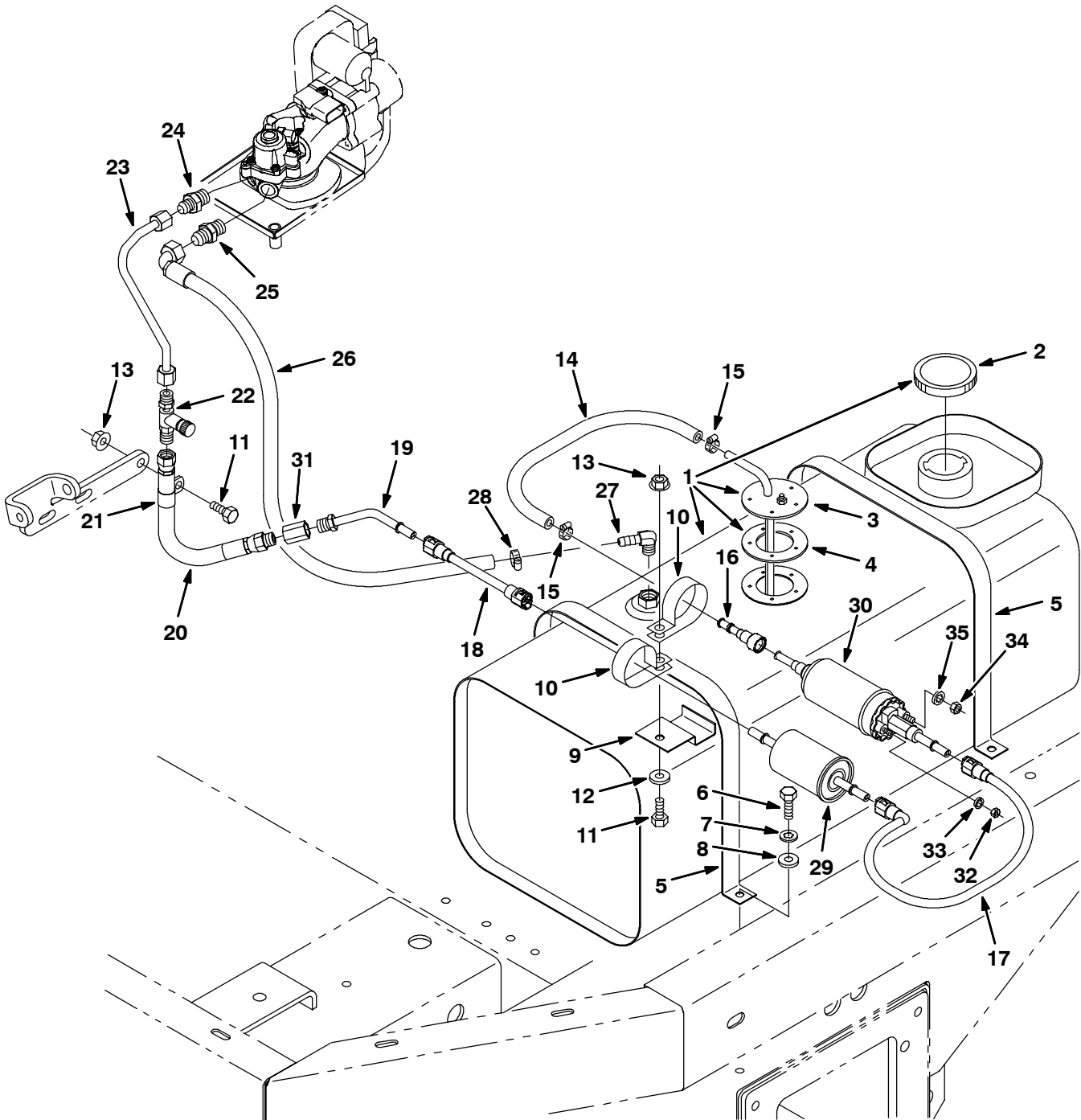


Fig. 51 - Engine Fuel Tank Group, Gas (001508-01537)

Ref.	Part No.	Serial Number	Description	Qty.
▽	1	1012112	(001508-001537) Tank, Fuel, 12 Gas 11.5 10.0 27.0	1
▲	2	48267	(001508-001537) Cap, Tank, Fuel, 2.3neck 2.6d	1
▲	3	372941	(001508-001537) Send-unit, Fuel	1
▲	4	1033897	(001508-001537) Gasket, Sender, Fuel	1
	5	04020	(001508-001537) Strap	2
	6	76955	(001508-001537) Screw, Hex, .31-18 X 1.00, 5	4
	7	32984	(001508-001537) Washer, Lock, Int, .31	4
	8	32491	(001508-001537) Washer, Flat, 0.31 Std	4
	9	1008988	(001508-001537) Bracket, Fltr, Fuel	1
	10	1011895	(001508-001537) Clamp, Cable, Stl, 2.00d X 0.75w, 1h	2
	11	54396	(001508-001537) Screw, Hex, .31-18 X 0.75, 5	2
	12	39349	(001508-001537) Washer, Flat, 0.31 Sae	1
	13	27979	(001508-001537) Nut, Hex, Flng, .31-18	2
	14	83591	(001508-001537) Hose, Fuel, 0.31id 16.0l	1
	15	43844	(001508-001537) Clamp, Hose, Wormdrive, 0.25-0.62d, .31w	2
	16	1013086	(001508-001537) Connector, Fuel, Qf	1
	17	1012314	(001508-001537) Fuelline, .31d E90/Str, Plstc	1
	18	1012248	(001508-001537) Fuelline, .31d Str/Str, Plstc	1
	19	1011980	(001508-001537) Fuelline, .31d 05if/Qm Stl	1
	20	70173	(001508-001537) Hose, 0050, 04, lm05str /lf05str , 10.0	1
	21	82829	(001508-001537) Clamp, Cable, Stl, 0.63d X 0.75w, 1h	1
	22	1014595	(001508-001537) Adapter, Fuelline	1
	23	1012469	(001508-001537) Fuelline, .31d 05if/05jf Stl	1
	24	1012677	(001508-001537) Fitting, Hyd, Str, Jm05/Om06	1
	25	56690	(001508-001537) Fitting, Hyd, Str, Jm06/Om06	1
	26	1013030	(001508-001537) Hose, Fuel, Jf06e90, 20.3l	1
	27	1015815	(001508-001537) Fitting, Brs, E90, Bm06/Pm04	1
	28	54333	(001508-001537) Clamp, Hose, Wormdrive, 0.31-0.88d, .31w	1
	29	372440	(001508-001537) Filter, Fuel [Gm 1.6l/3.0l]	1
	30	1011107	(001508-001537) Pump, Fuel, Hi-Press [Gm 1.6l/3.0l]	1
	31	25610	(001508-001537) Fitting, Brs, Str, lf05/lf05	1
	32	42368	(001508-001537) Nut, Hex, Std, M4 X 0.7, 8	1
	33	32978	(001508-001537) Washer, Lock, Int, #08	1
	34	50335	(001508-001537) Nut, Hex, Std, M5 X 0.8, 8	1
	35	32980	(001508-001537) Washer, Lock, Int, #10	1

Fig. 52 - Engine Fuel Tank Group, Gas (001538-)

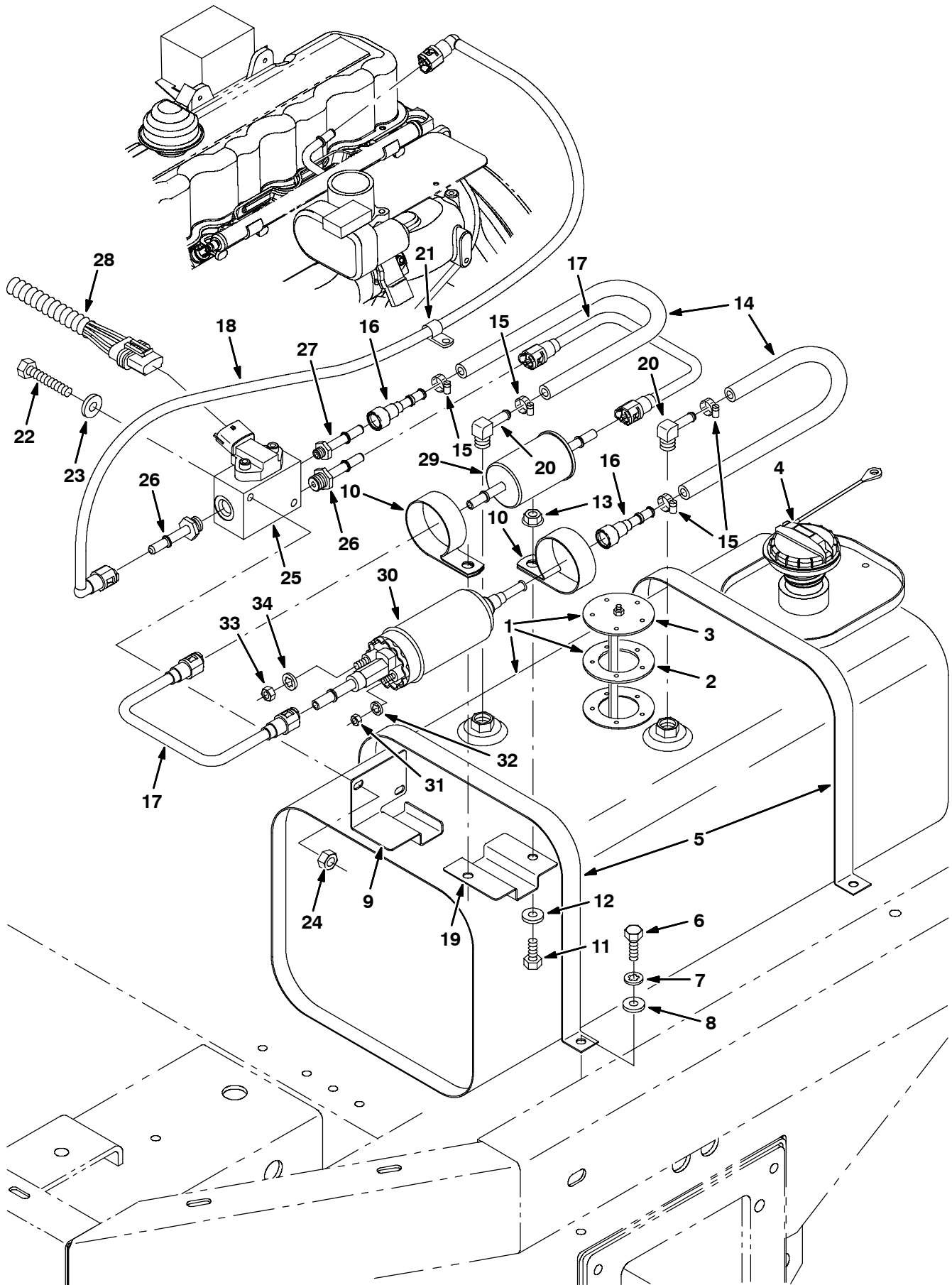
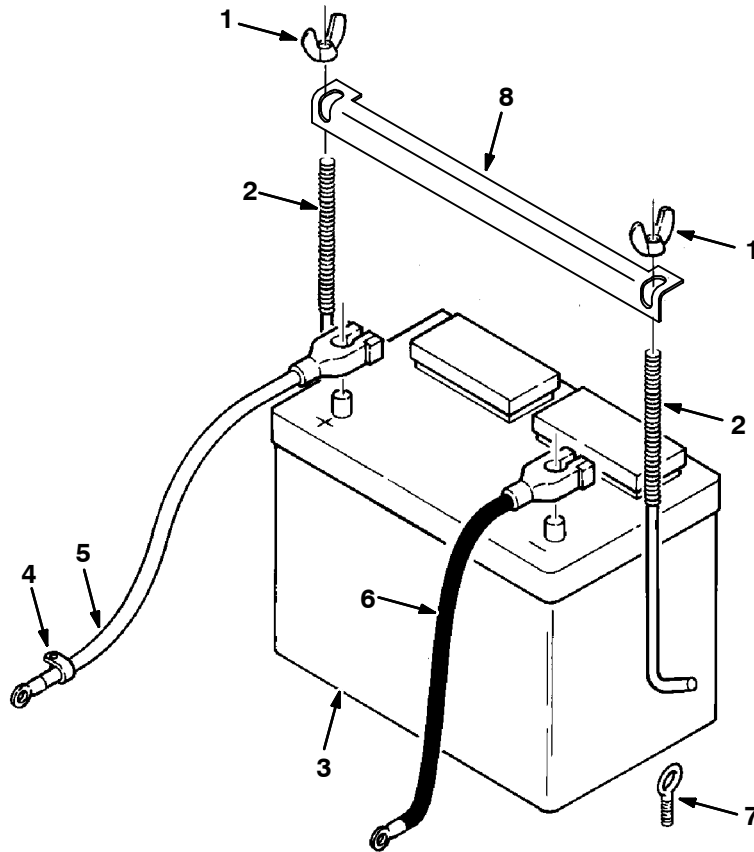


Fig. 52 - Engine Fuel Tank Group, Gas (001538-)

Ref.	Part No.	Serial Number	Description	Qty.
▽	1	1032912	(001538-) Tank, Fuel, 12.2gal, 11.50w 10.0hi 27.0l	1
▲	2	1033897	(001538-) Gasket, Sender, Fuel	1
▲	3	1033899	(001538-) Send-Unit, Fuel	1
▲	4	1032812	(001538-) Cap, Fuel, Tank	1
	5	04020	(001538-) Strap	2
	6	76955	(001538-) Screw, Hex, .31-18 X 1.00, 5	4
	7	32984	(001538-) Washer, Lock, Int, .31	4
	8	32491	(001538-) Washer, Flat, 0.31 Std	4
	9	1032944	(001538-) Bracket, Manifold, Mtg [550/1550 07]	1
	10	1011895	(001538-) Clamp, Cable, Stl, 2.00d X 0.75w, 1h	2
	11	54396	(001538-) Screw, Hex, .31-18 X 0.75, 5	2
	12	39349	(001538-) Washer, Flat, 0.31 Sae	1
	13	27979	(001538-) Nut, Hex, Flng, .31-18	2
	14	1033746	(001538-) Hose, Fuel, 0.31id [Evap Emission 07]	2
	15	43844	(001538-) Clamp, Hose, Wormdrive, 0.25-0.62d, .31w	4
	16	1013086	(001538-) Connector, Fuel, Qf	2
	17	1013509	(001538-) Fuelline, .31d Str/Str, Plstc [8200]	2
	18	1030485	(001538-) Fuelline, .31d E90, 05/06, Plstc	1
	19	1032936	(001538-) Bracket, Mtg, Fuel Tank [550/1550 07]	1
	20	9000355	(001538-) Fitting, Brs, E90, Em05/Pm04	2
	21	46236	(001538-) Clamp, Cable, Stl, 0.25d X 0.56w, 1hole	1
	22	06949	(001538-) Screw, Hex, M6 X 1.00 X 50, 8.8	2
	23	32490	(001538-) Washer, Flat, 0.25, Std	2
	24	08708	(001538-) Nut, Hex, Lock, M6 X 1.00, NI	2
	25	1028924	(001538-) Manifold, Gas, Relief, Valve	1
	26	1029293	(001538-) Fitting, Fuel, Str, 0.56-18 [07 Eng]	2
	27	1029295	(001538-) Fitting, Fuel, Str, 0.38-24 [07 Eng]	1
	28	385009	(001538-) Harness, Manifold, Gas	1
	29	372440	(001538-) Filter, Fuel [Gm 1.6l/3.0l]	1
	30	1011107	(001538-) Pump, Fuel, Hi-Press [Gm 1.6l/3.0l]	1
	31	42368	(001538-) Nut, Hex, Std, M4 X 0.7, 8	1
	32	32978	(001538-) Washer, Lock, Int, #08	1
	33	50335	(001538-) Nut, Hex, Std, M5 X 0.8, 8	1
	34	32980	(001538-) Washer, Lock, Int, #10	1

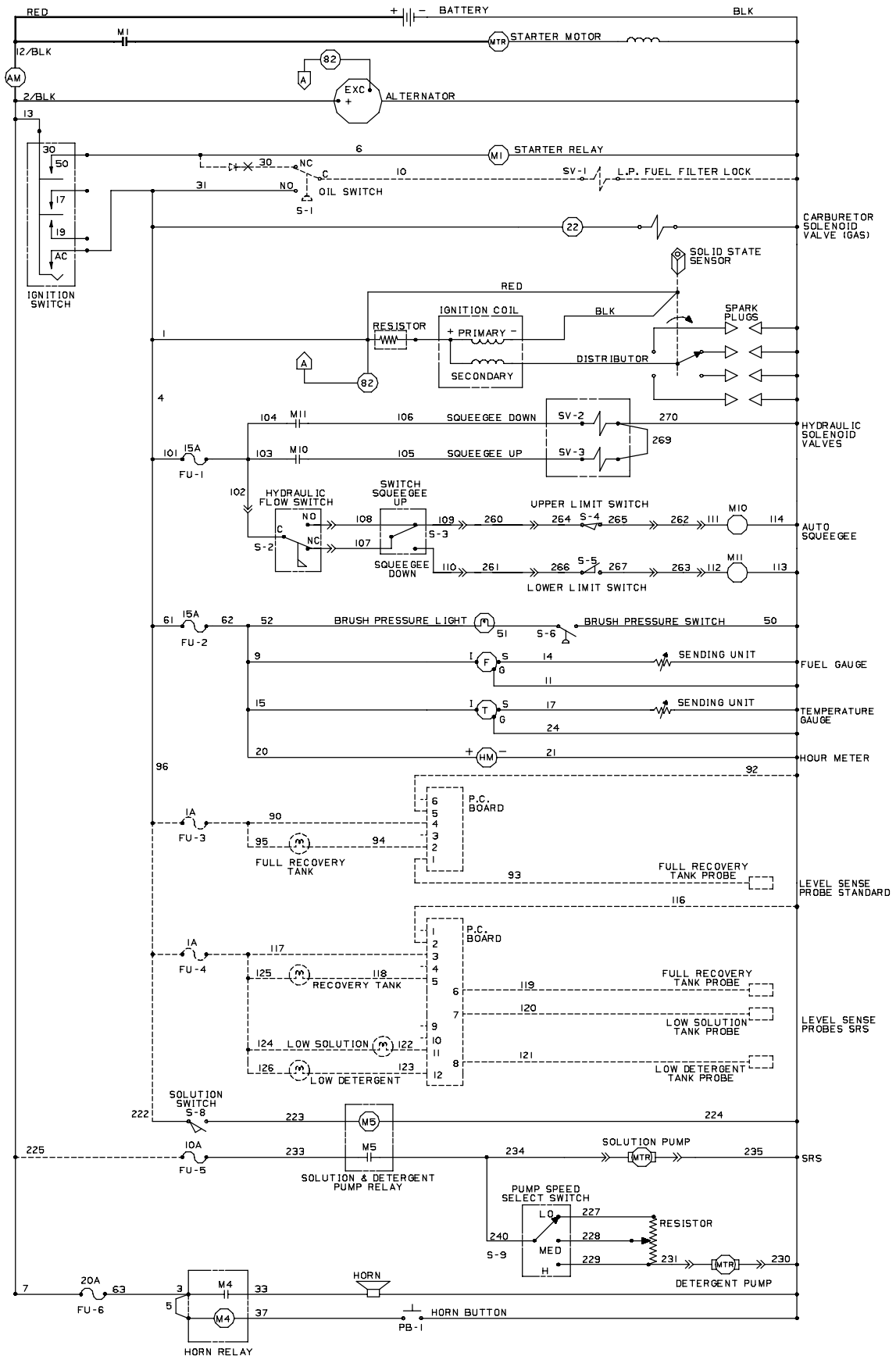
Fig. 53 - Engine Battery Group, Gas/LPG



02376 - 1550, 550, G, LP

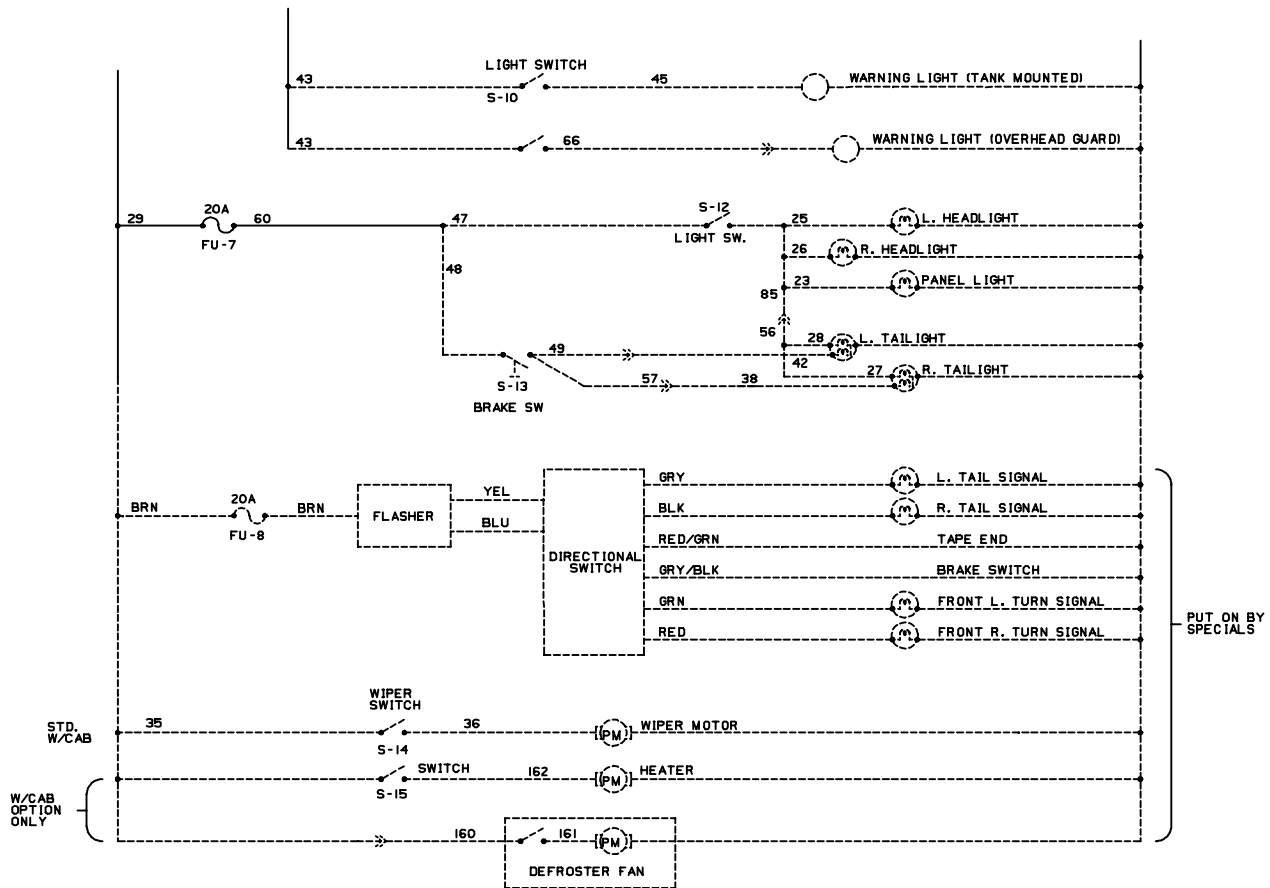
Ref.	Part No.	Serial Number	Description	Qty.
1	39272	(001000-) Nut, Wing	2
2	13015	(001000-) Bolt, Hold Down	2
3	10143	(001000-) Battery, 540 CCA	1
4	76736	(001000-) Clamp, Cable	3
5	48899	(001000-001423) Cable, Positive Battery	1
5	60294	(001424-) Cable, Positive Battery	1
6	29831-6	(001000-001505) Cable, Negative Battery	1
6	60295	(001508-) Cable, Negative Battery	1
7	11893	(001000-) Eyebolt	2
8	72977	(001000-) Bracket, Angle, Hold-down, Battery	1

Fig. 54 - Electrical Schematic, Gas/LPG (001000-001423)



06182 - 550, 1550, G, LP

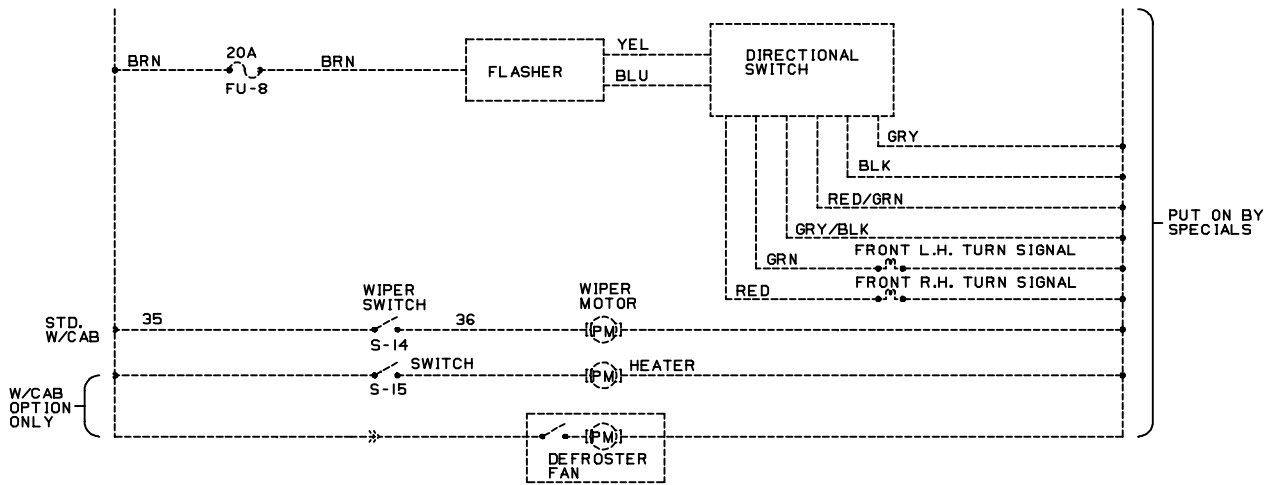
Fig. 55 - Electrical Schematic, Options (001000-001505)



LEGEND			
M	POWER RELAY	HM	HOURLMETER
MTR	MOTOR	SV	SOLENOID VALVE
CB	CIRCUIT BREAKER	S	SWITCH
PM	PERMANENT MAGNET	ACC	ACCESSORY
J	JACK-FEM. SOCKET	GND	GROUND CHASSIS
P	PLUG-MALE PIN	C	COMMON
PB	PUSHBUTTON	N.O.	NORMALLY OPEN
VM	VOLTMETER	N.C.	NORMALLY CLOSED
FU	FUSE		

06182 - 550, 1550

Fig. 56 - Electrical Schematic, Specials (001000-001505)



PAGE 2 OF 2

LEGEND			
M	POWER RELAY	HM	HOURLMETER
MTR	MOTOR	SV	SOLENOID VALVE
CB	CIRCUIT BREAKER	S	SWITCH
PM	PERMANENT MAGNET	ACC	ACCESSORY
J	JACK-FEM. SOCKET	GND	GROUND CHASSIS
P	PLUG-MALE PIN	C	COMMON
PB	PUSHBUTTON	N.O.	NORMALLY OPEN
VM	VOLTMETER	N.C.	NORMALLY CLOSED
FU	FUSE		

00363 - 550, 1550

Fig. 57 - Electrical Schematic, Gas/LPG (001424-001505)

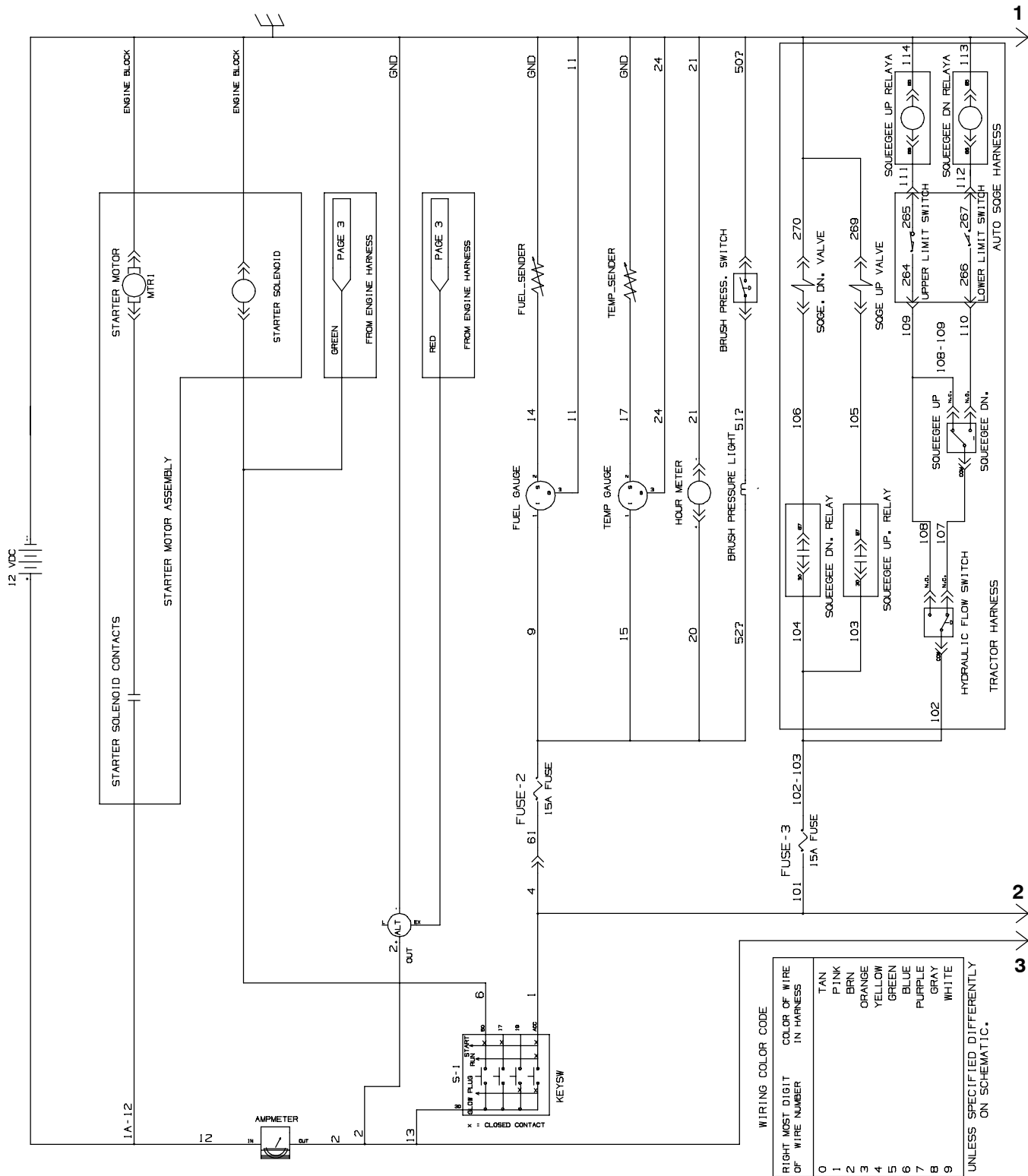


Fig. 57 - Electrical Schematic, Gas/LPG (001424-001505)

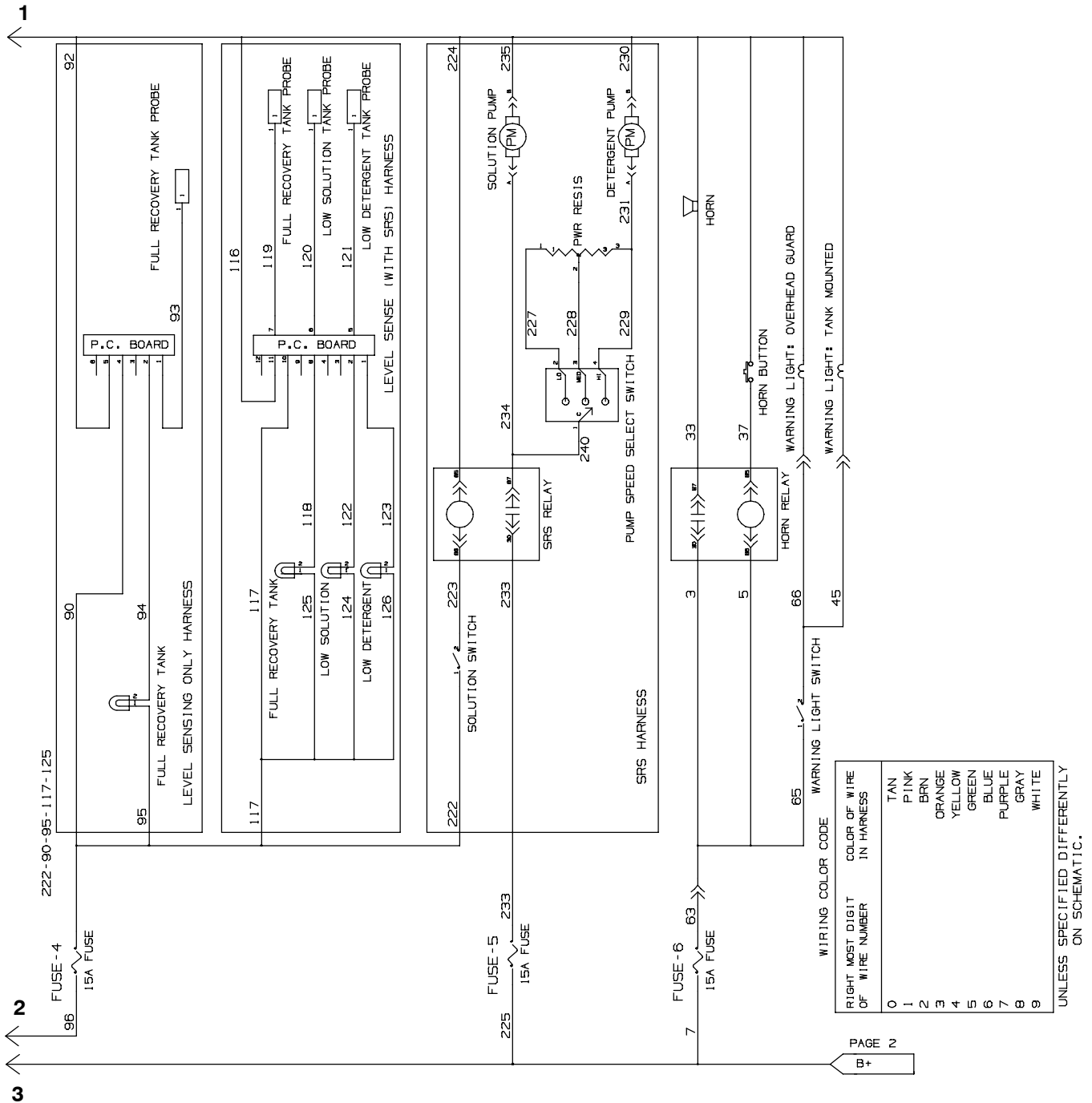
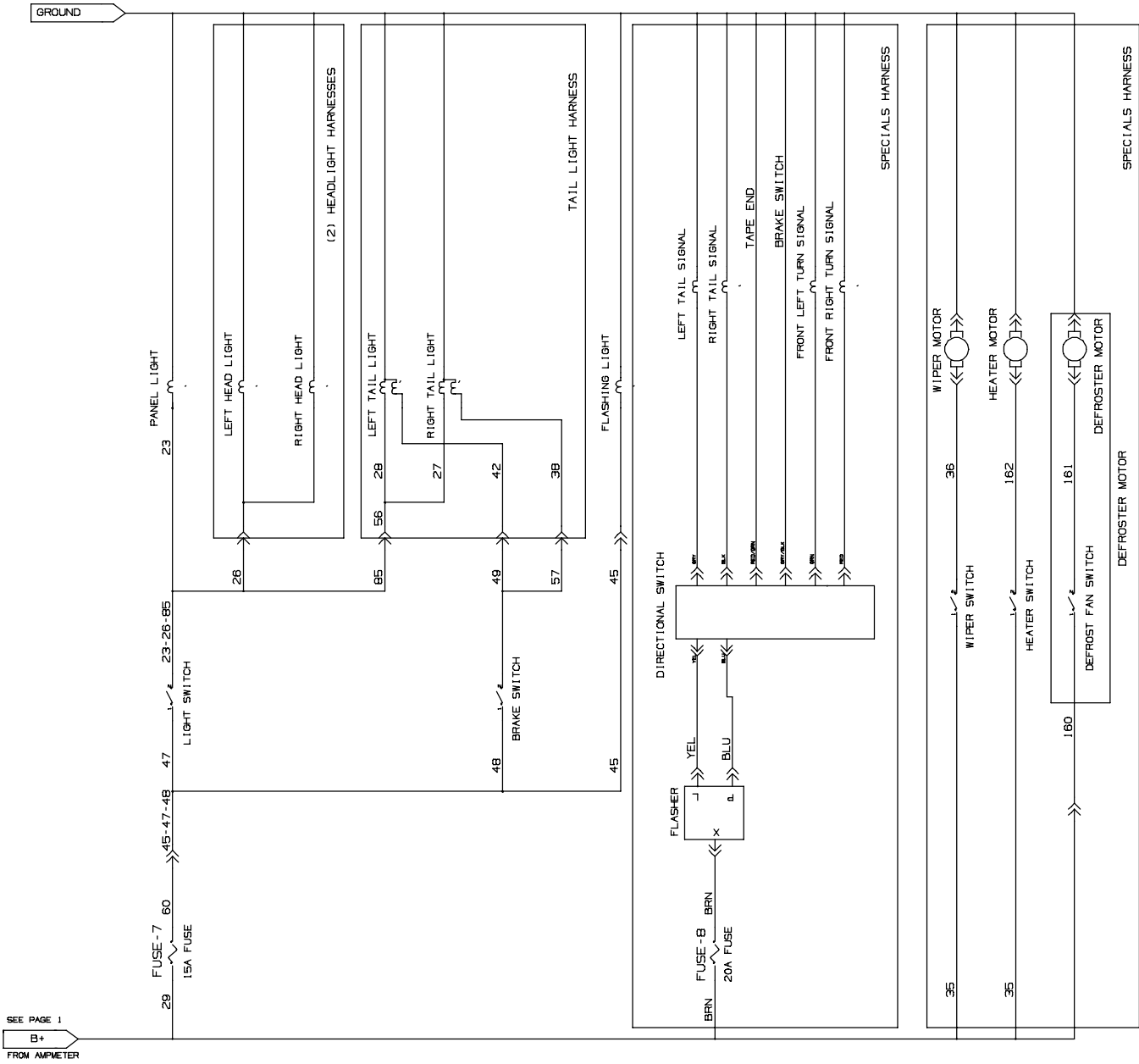


Fig. 57 - Electrical Schematic, Gas/LPG (001424-001505)



1013550 - 550, 1550, G, LP, Zeems

Fig. 57 - Electrical Schematic, Gas/LPG (001424-001505)

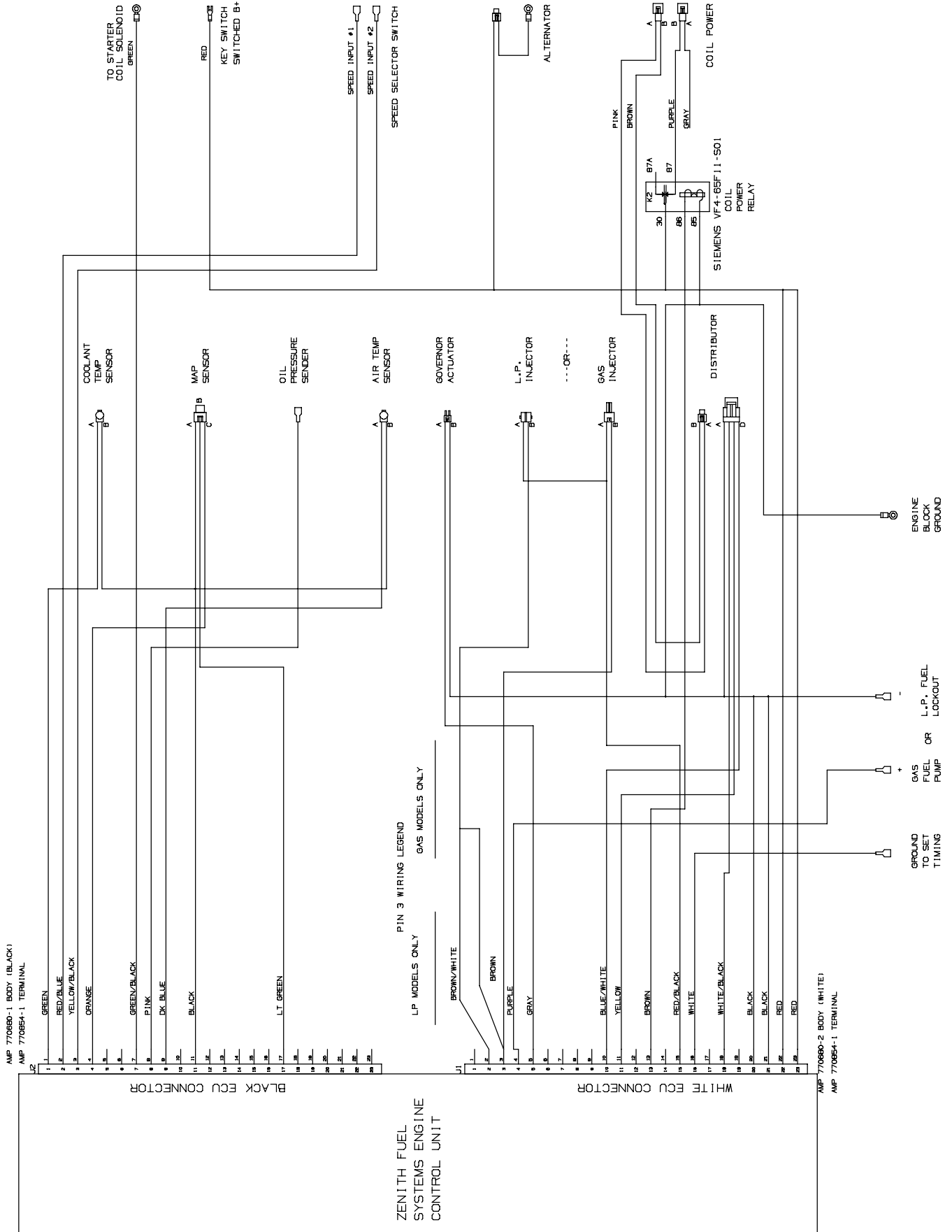
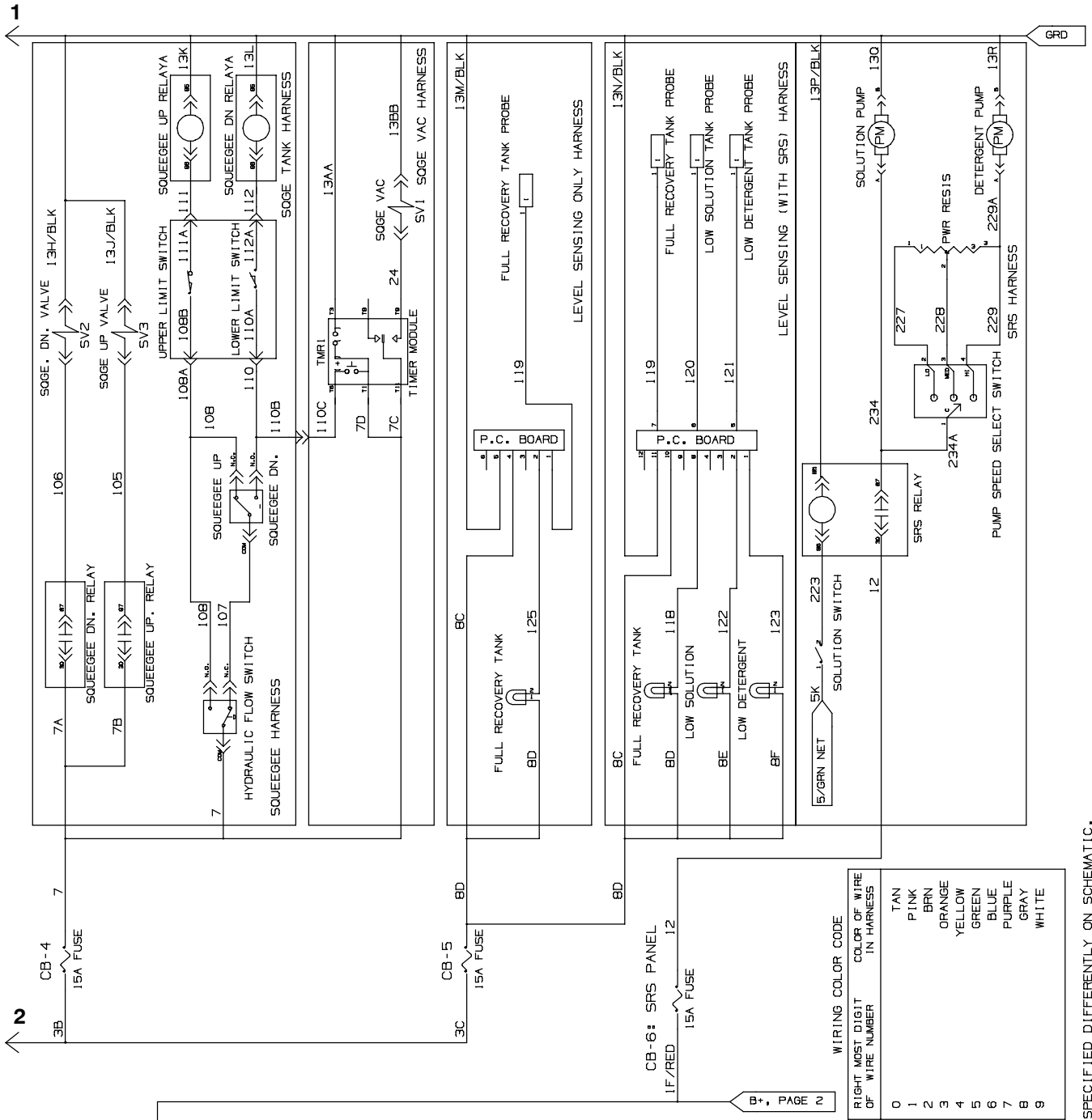


Fig. 58 - Electrical Schematic, Gas/LPG (001508-001537)



UNLESS SPECIFIED DIFFERENTLY ON SCHEMATIC.

Fig. 58 - Electrical Schematic, Gas/LPG (001508-001537)

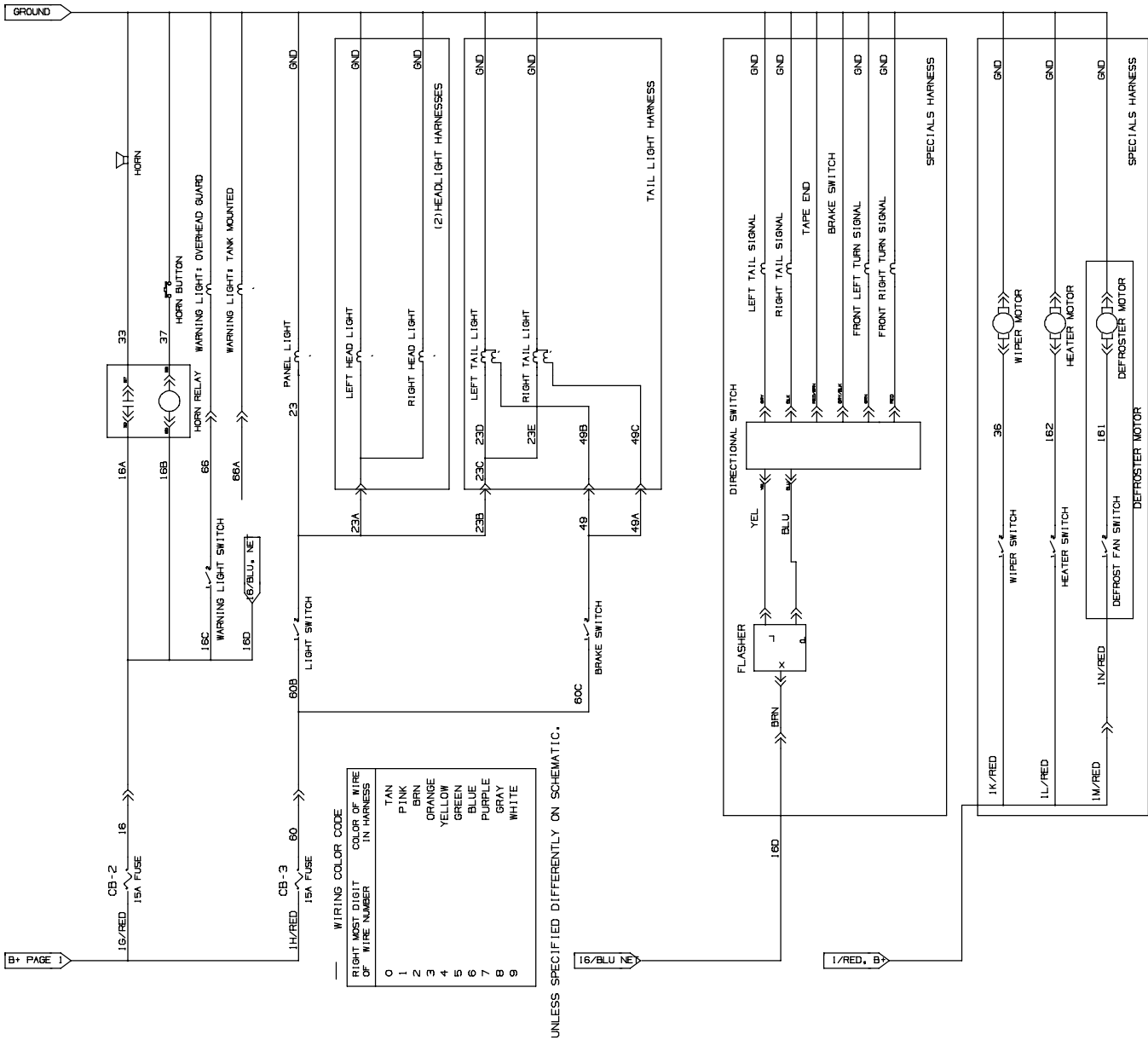


Fig. 58 - Electrical Schematic, Gas/LPG (001508-001537)

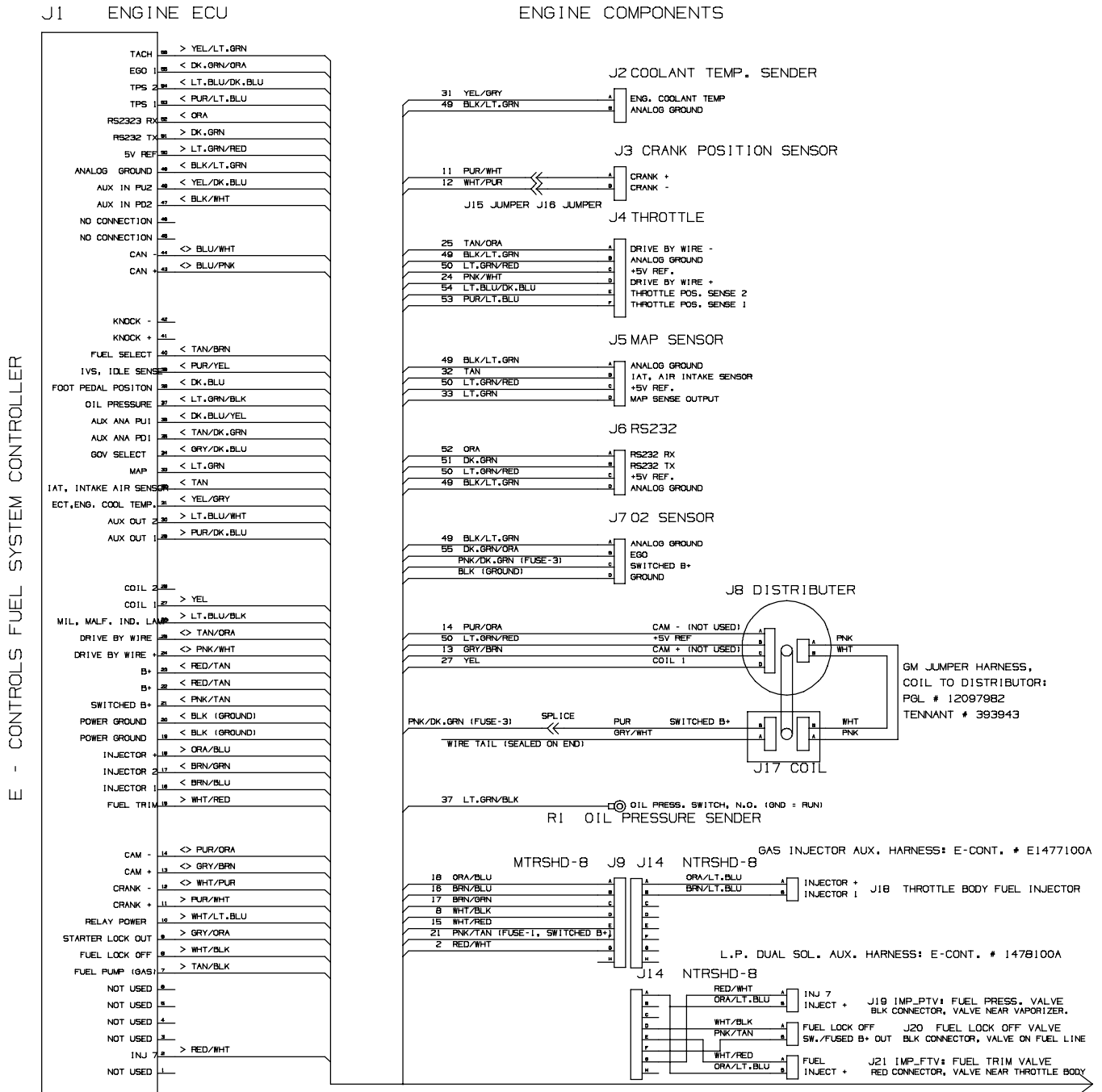
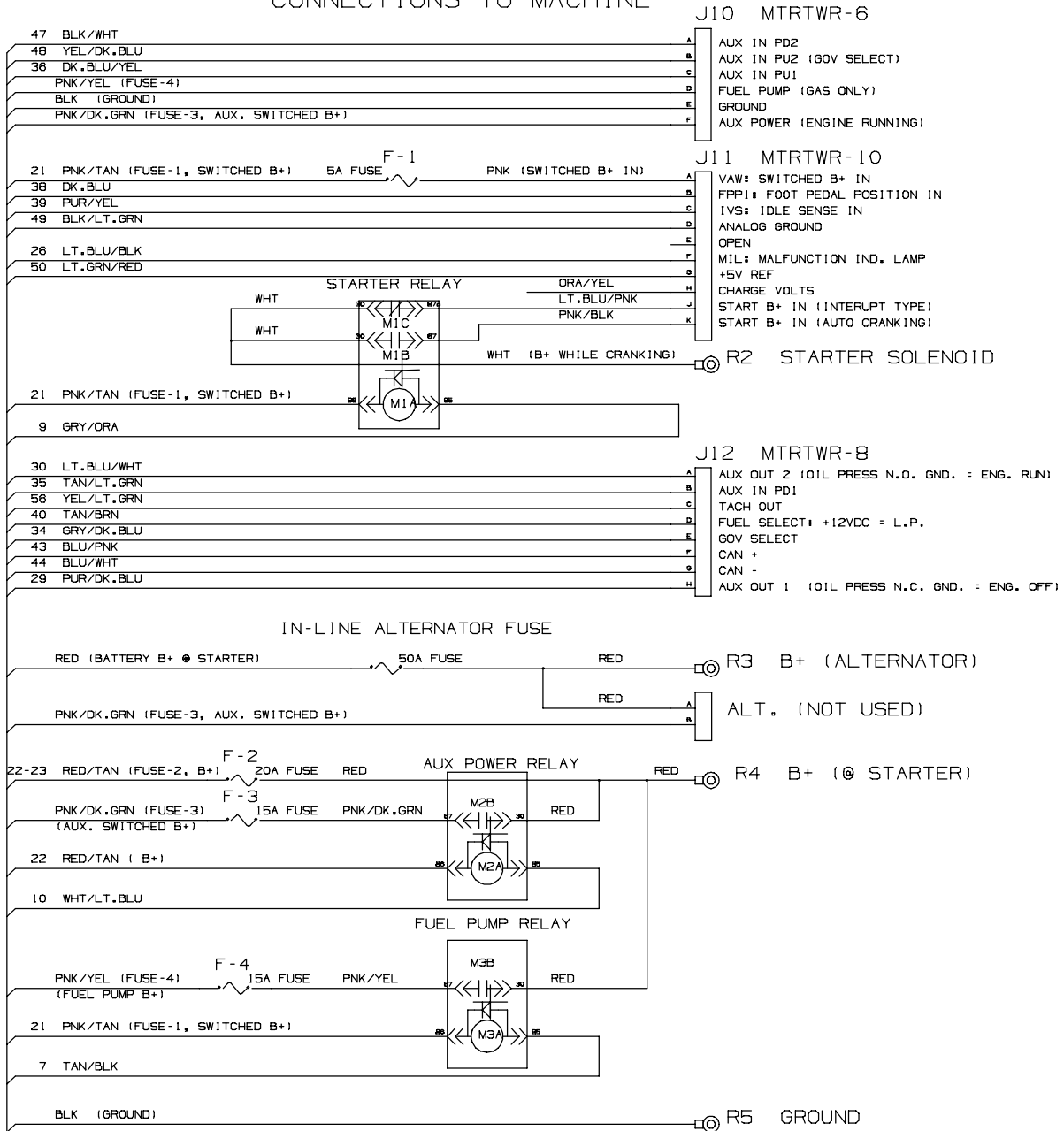


Fig. 58 - Electrical Schematic, Gas/LPG (001508-001537)

CONNECTIONS TO MACHINE



NOTES:

- 1) VENDOR: E-CONTROLS #E1350010E
- 2) ALL WIRE TO BE: SAE J1128 TXL
- 3) 3.0L GAS ENGINES INC. AUX. INJECTOR HARNESS:
E-CONTROLS #E1477100A
- 4) L.P. ENGINES INCLUDE AUX. INJECTOR HARNESS:
E-CONTROLS #E1478100

Fig. 59 - Electrical Schematic (001538-)

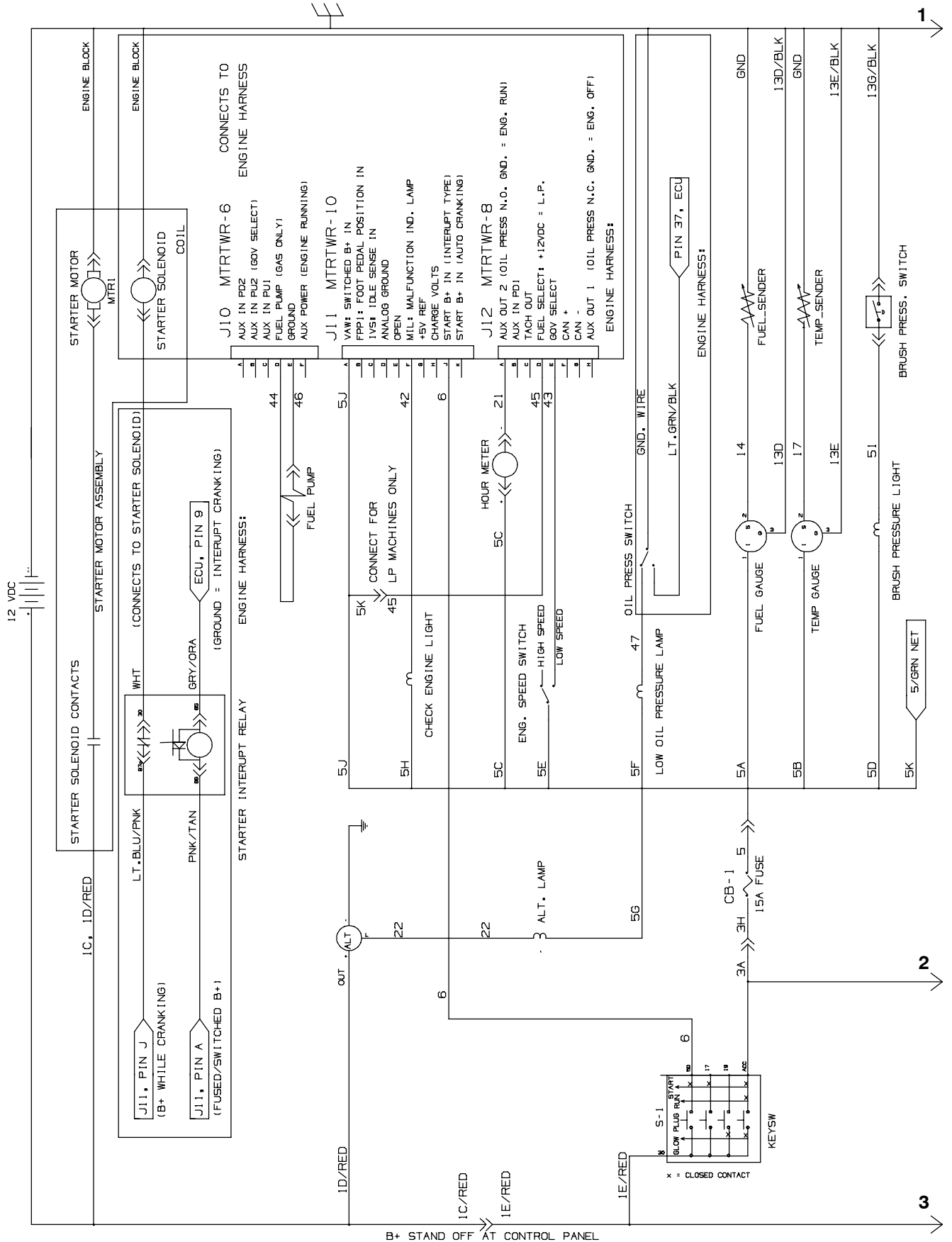
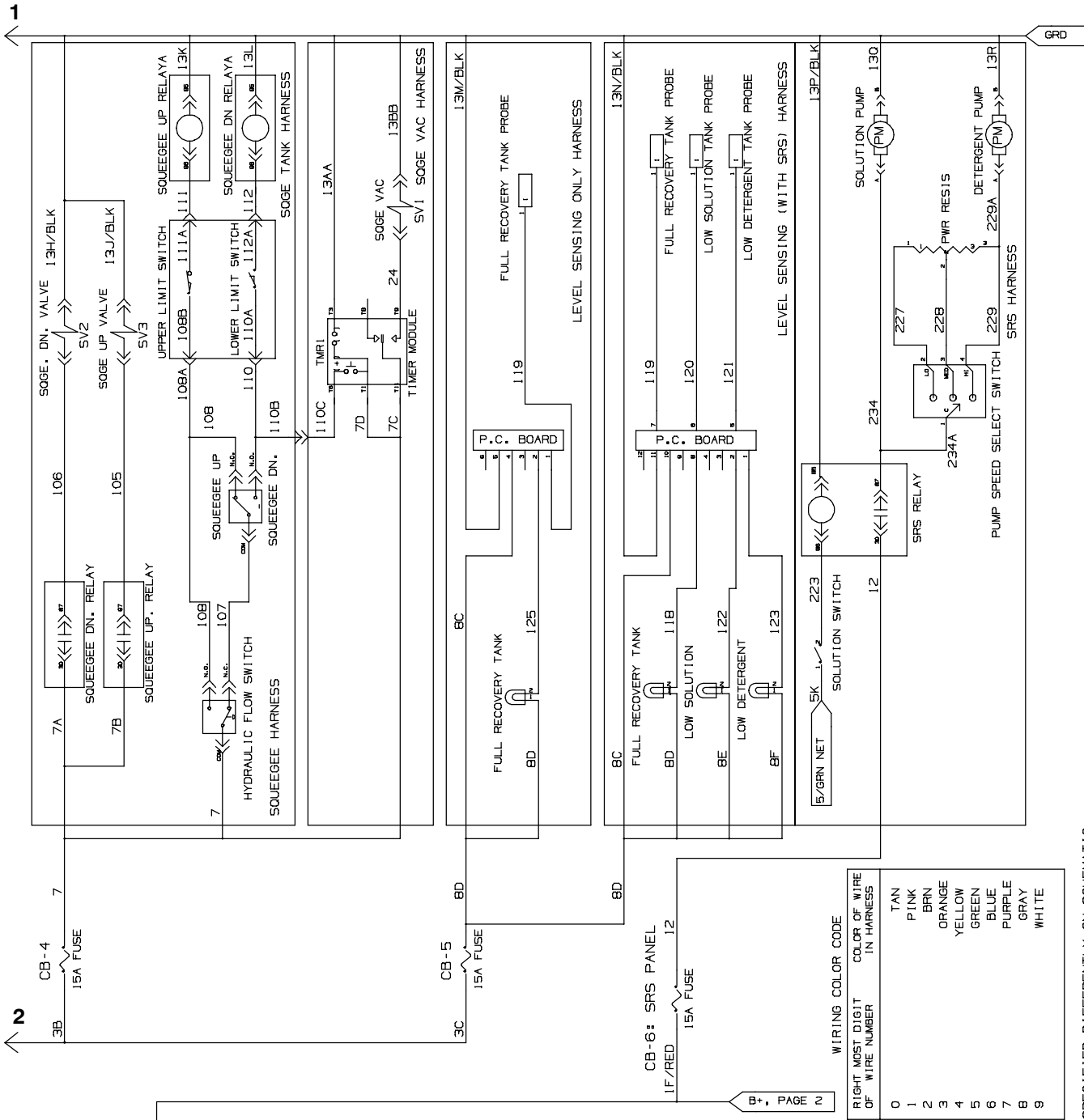


Fig. 59 - Electrical Schematic (001538-)



UNLESS SPECIFIED DIFFERENTLY ON SCHEMATIC.

Fig. 59 - Electrical Schematic (001538-)

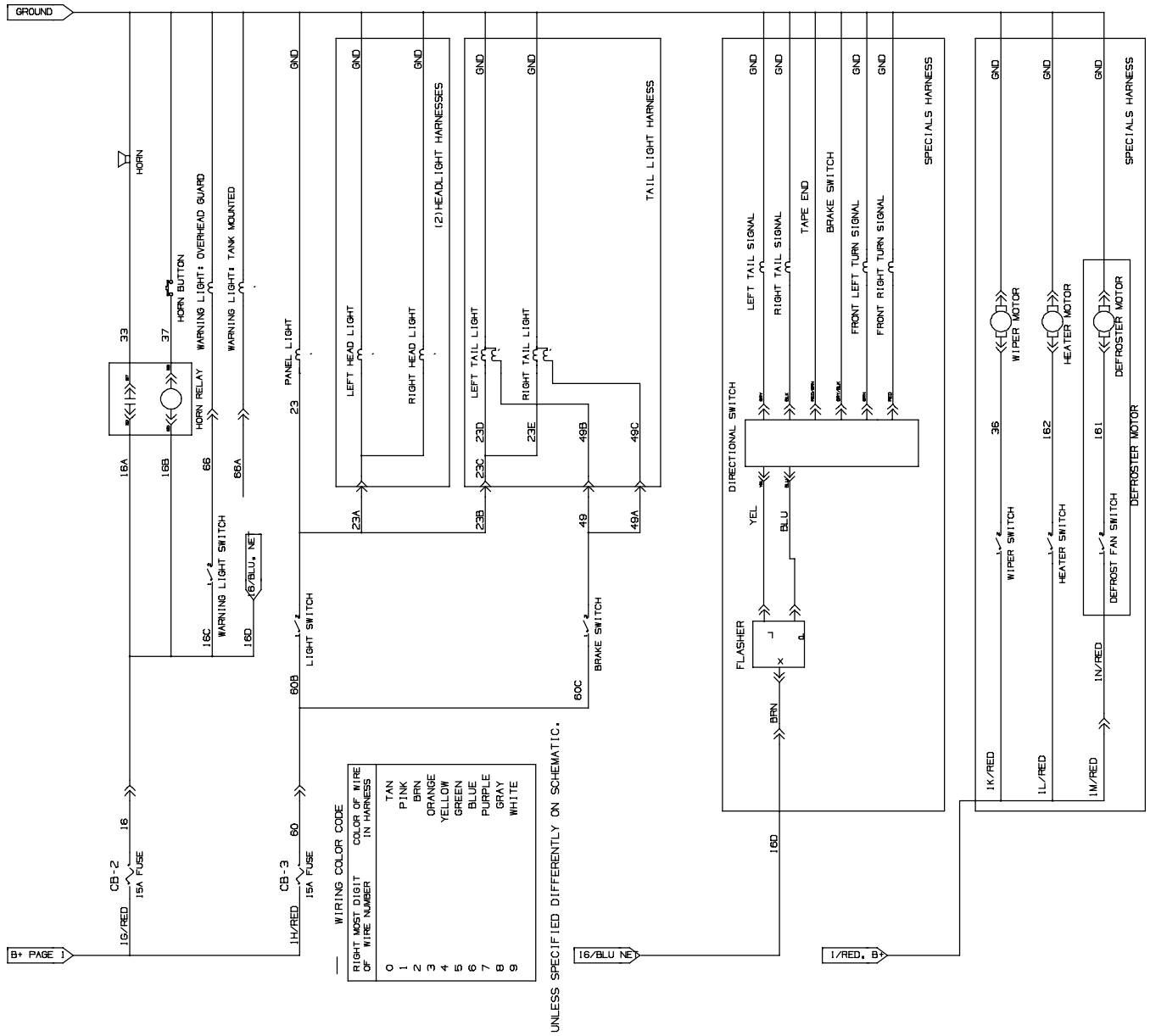


Fig. 59 - Electrical Schematic (001538-)

Gas Engine Harness Schematic

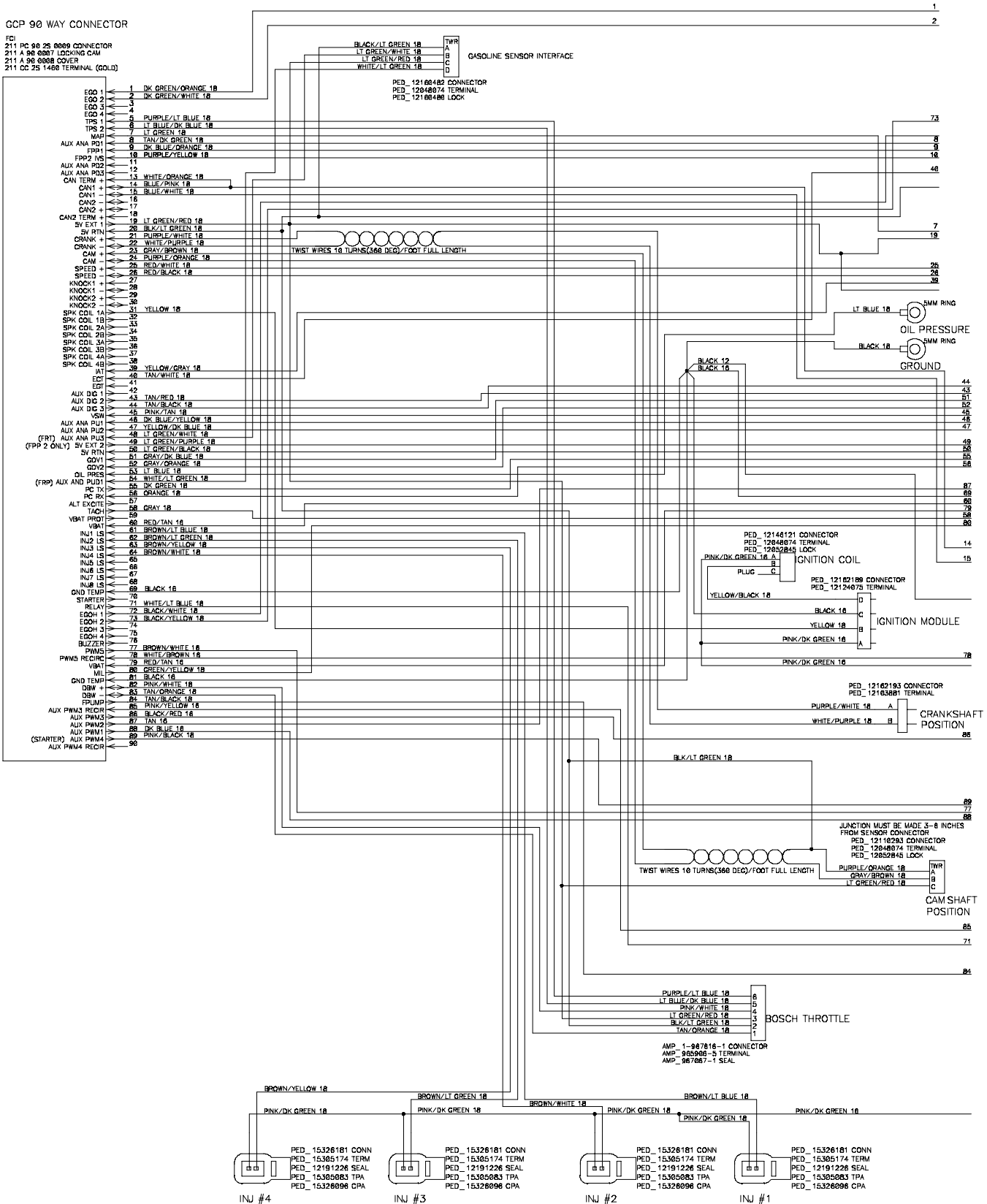


Fig. 59 - Electrical Schematic (001538-)

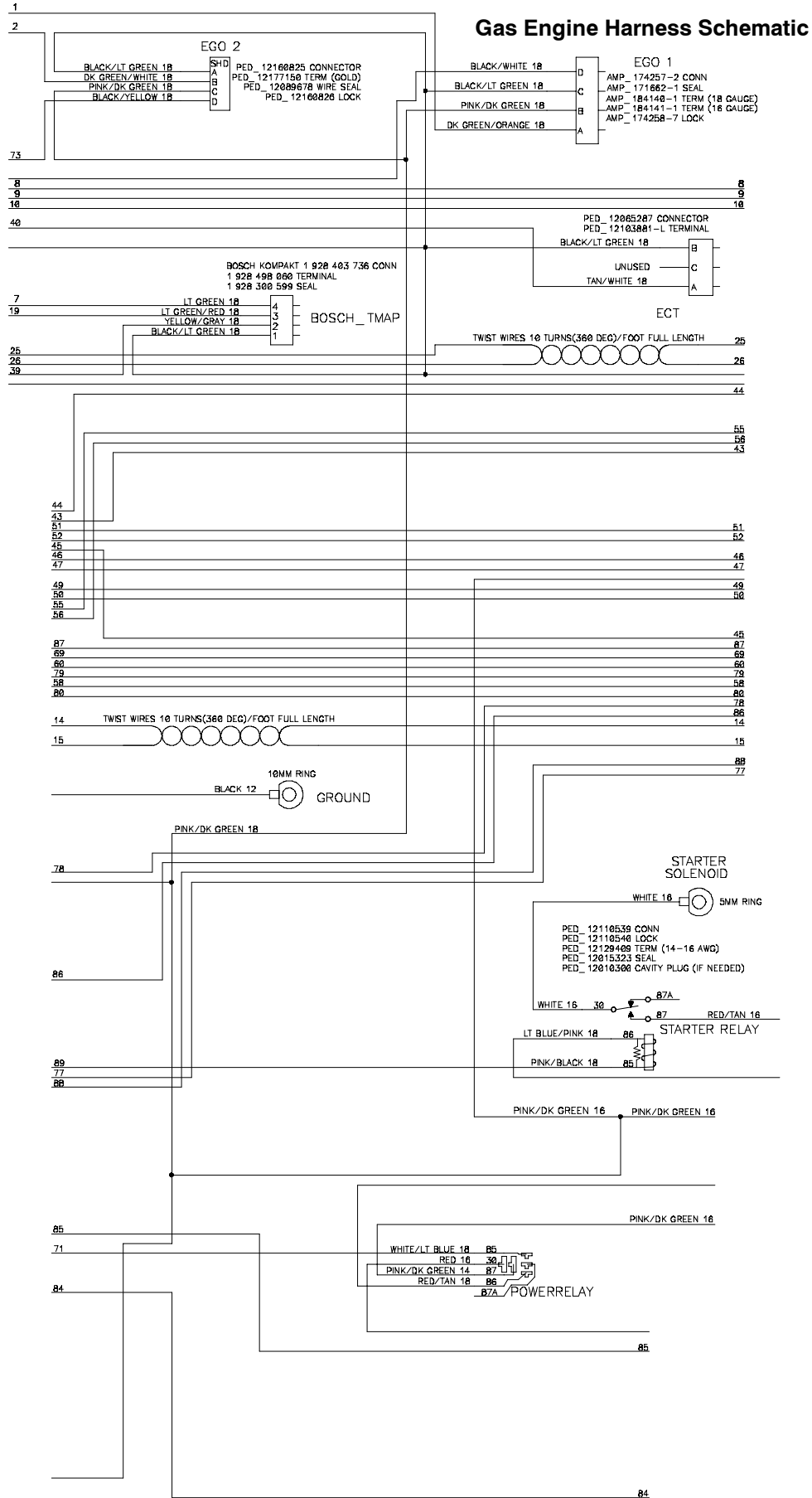


Fig. 59 - Electrical Schematic (001538-)

Gas Engine Harness Schematic

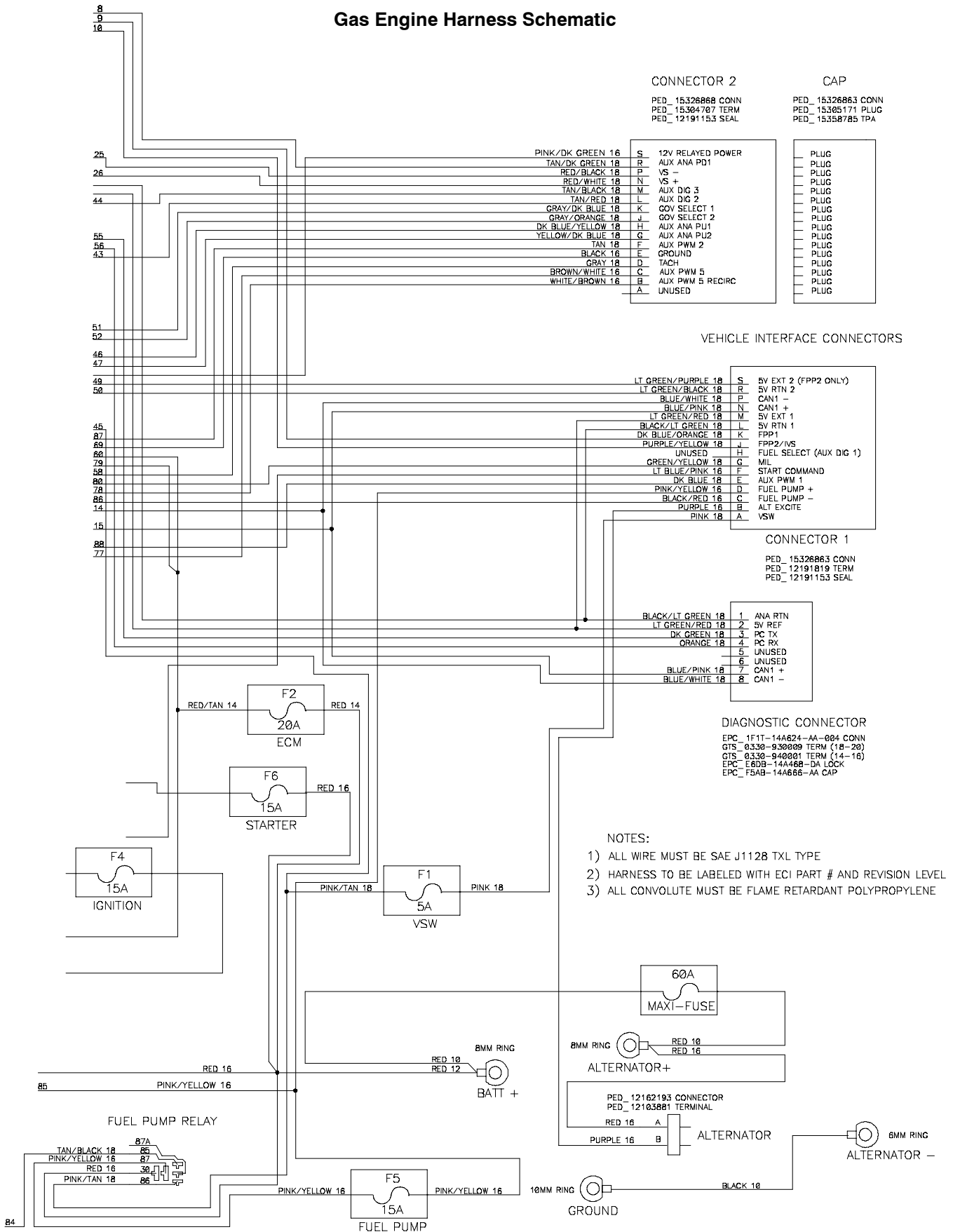
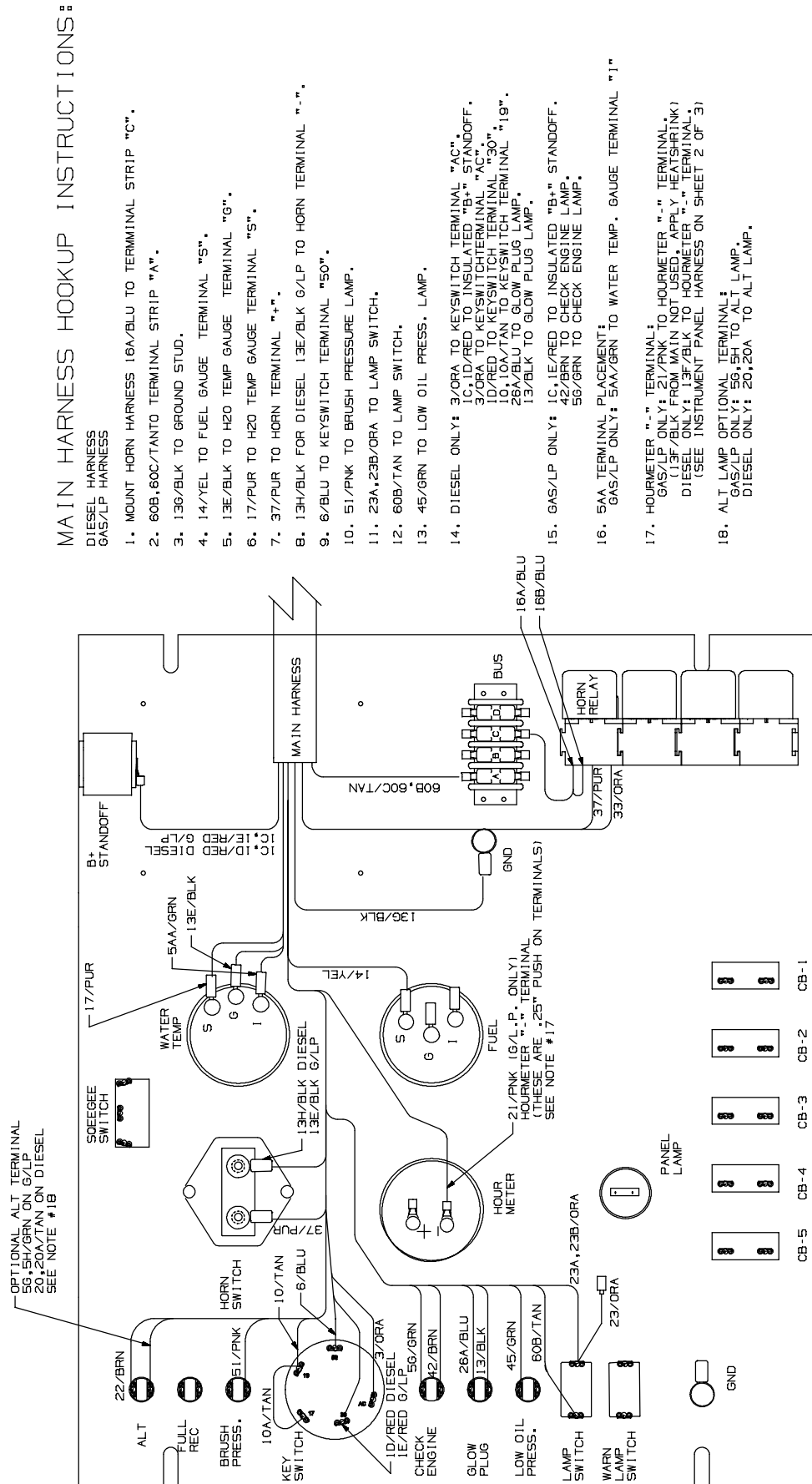


Fig. 60 - Electrical Wiring Diagram, Instrument Panel (001508-)



15A 15A 15A 20A 15A
 CB-5 CB-4 CB-3 CB-2 CB-1
DETAIL 1
 WIRING DIAGRAM FOR
 MAIN HARNESS WIRES
 SEE SHIT 2 FOR CONTROL
 PANEL HARNESS

Fig. 60 - Electrical Wiring Diagram, Instrument Panel (001508-)

PANEL HARNESS HOOKUP INSTRUCTIONS:

- PANEL HARNESS
1. 5/GRN TO CB-1
 2. 3H/ORR TO CB-1
 3. 1G/RED TO CB-2
 4. 16/BLU TO CB-2
 5. 60/TAN TO CB-3
 6. 1H/RED TO CB-3
 7. 3B/ORR TO CB-4
 8. 3C/ORR TO CB-5
 9. 13F/BLK TO HOURMETER "-" TERMINAL
 10. 5F,5C/GRN TO HOURMETER "+," TERMINAL
 11. 5F/GRN TO LOW OIL PRESSURE LAMP
 12. 13A,13/D,13/F BLK TO GROUND STUD
 13. 13D/BLK TO FUEL GAUGE "G" TERMINAL
 14. 60/TAN TO BUS TERMINAL "A"
 15. 3A,3H/ORR TO BUS TERMINAL "B"
 16. 16,16C/BLU TO BUS TERMINAL "C"
 17. 5,5D/GRN TO BUS TERMINAL "D"
 18. 5A,5B/GRN TO BUS TERMINAL "D"
 19. 3A,3B,3C/ORR TO KEYSWITCH "AC"
 20. 5D/GRN TO BRUSH PRESS. LAMP
 21. 5C,5B/GRN TO WATER TEMP GAUGE "I," TERMINAL
 22. 13A/BLK TO WATER TEMP GAUGE "G" TERMINAL
 23. 1G,1H/RED TO INSULATED "B+," STANDOFF
 24. WARNING LAMP OPTION: 66/BLU TO WARNING LAMP SWITCH
16C/BLU TO WARNING LAMP SWITCH
66/BLU TO REVERSE LAMP
 25. PANEL LAMP OPTION: PANEL LAMP WHITE WIRE TO LAMP SWITCH
PANEL LAMP BLACK WIRE TO GROUND STUD

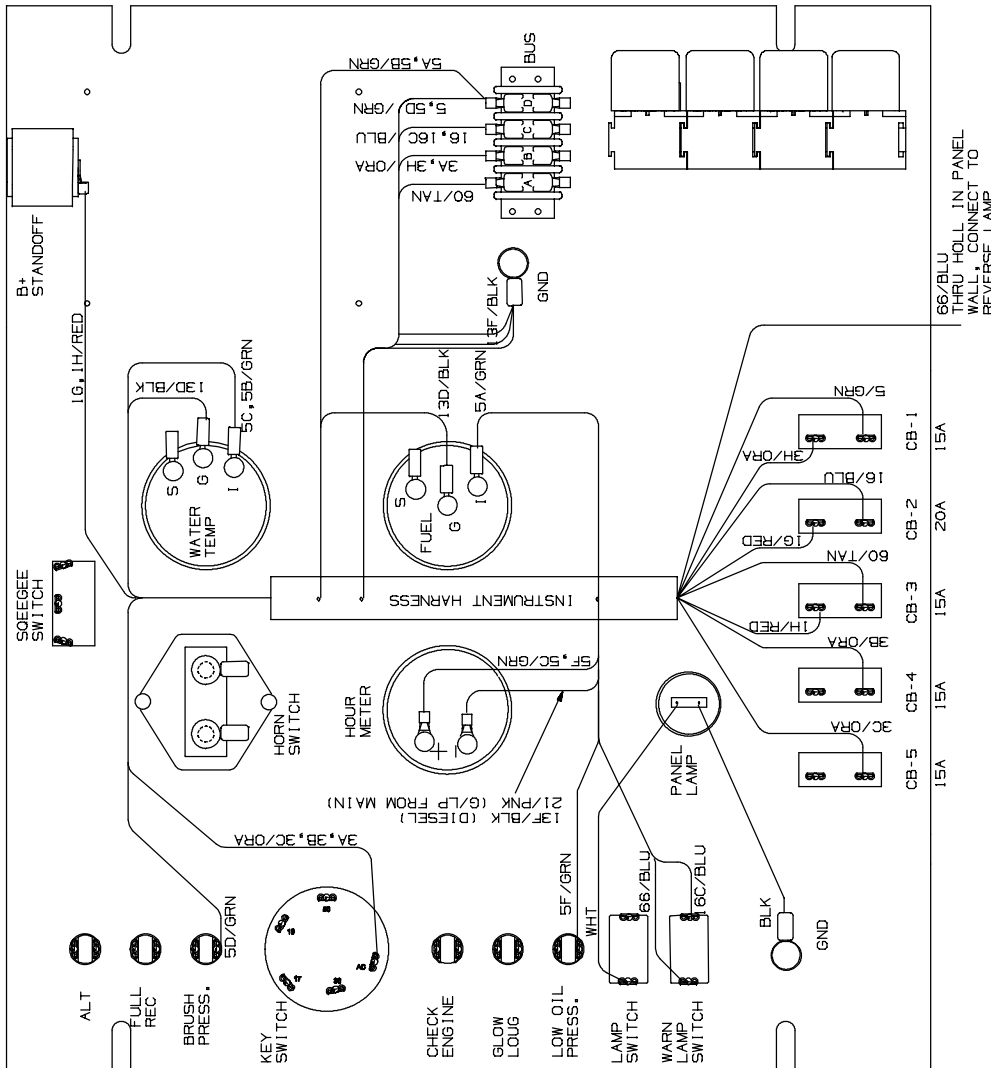


Fig. 60 - Electrical Wiring Diagram, Instrument Panel (001508-)

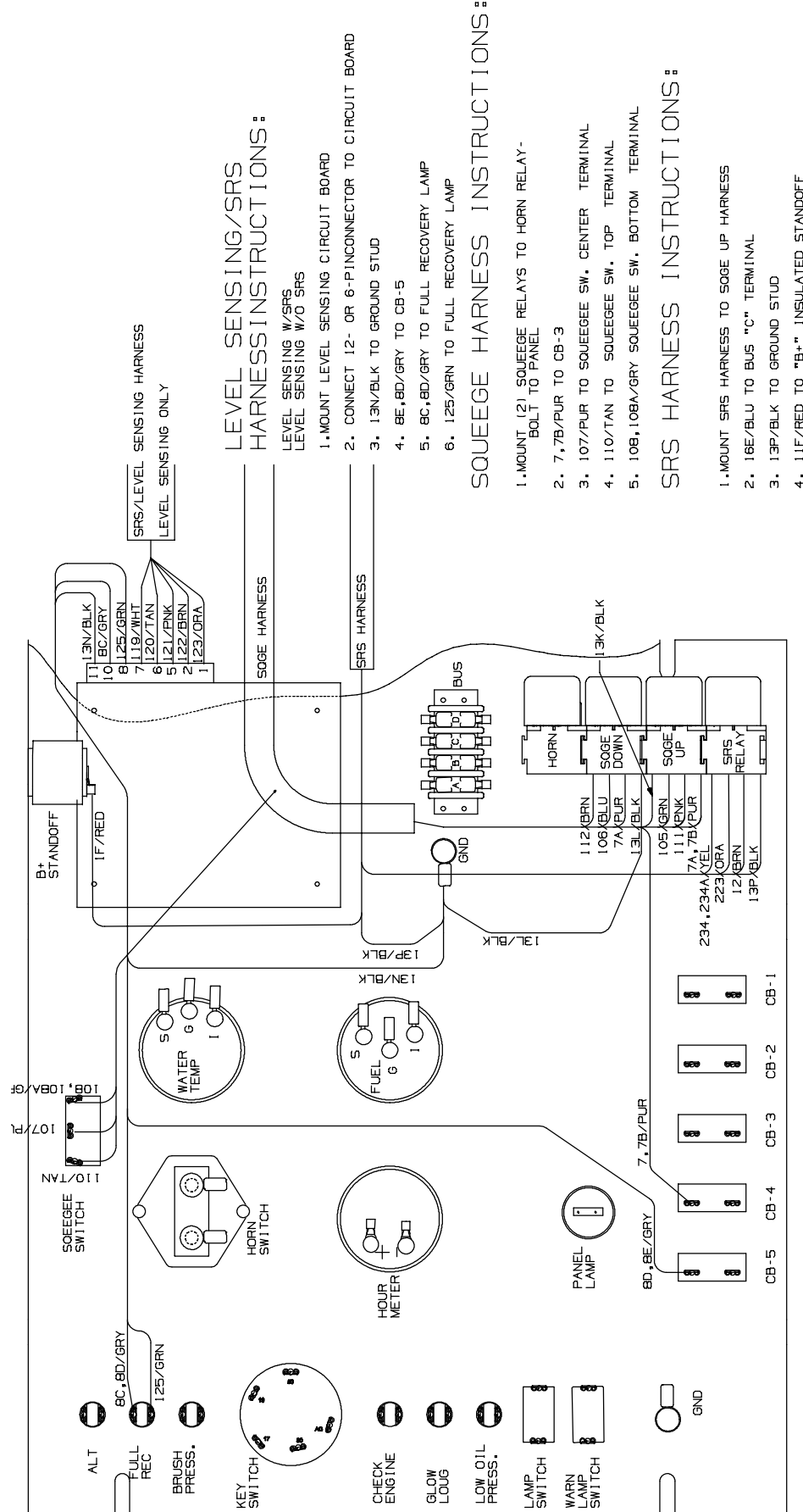


Fig. 61 - Electrical Wire Harnesses Group (001000-001505)

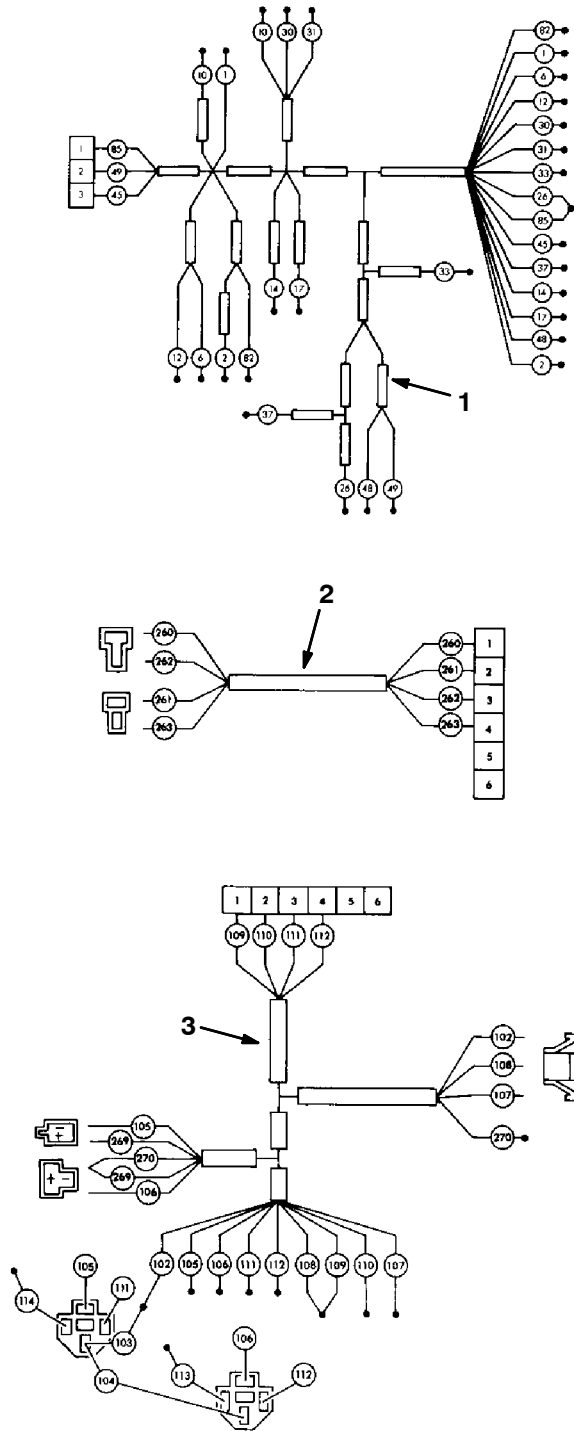


Fig. 61 - Electrical Wire Harnesses Group (001000-001505)

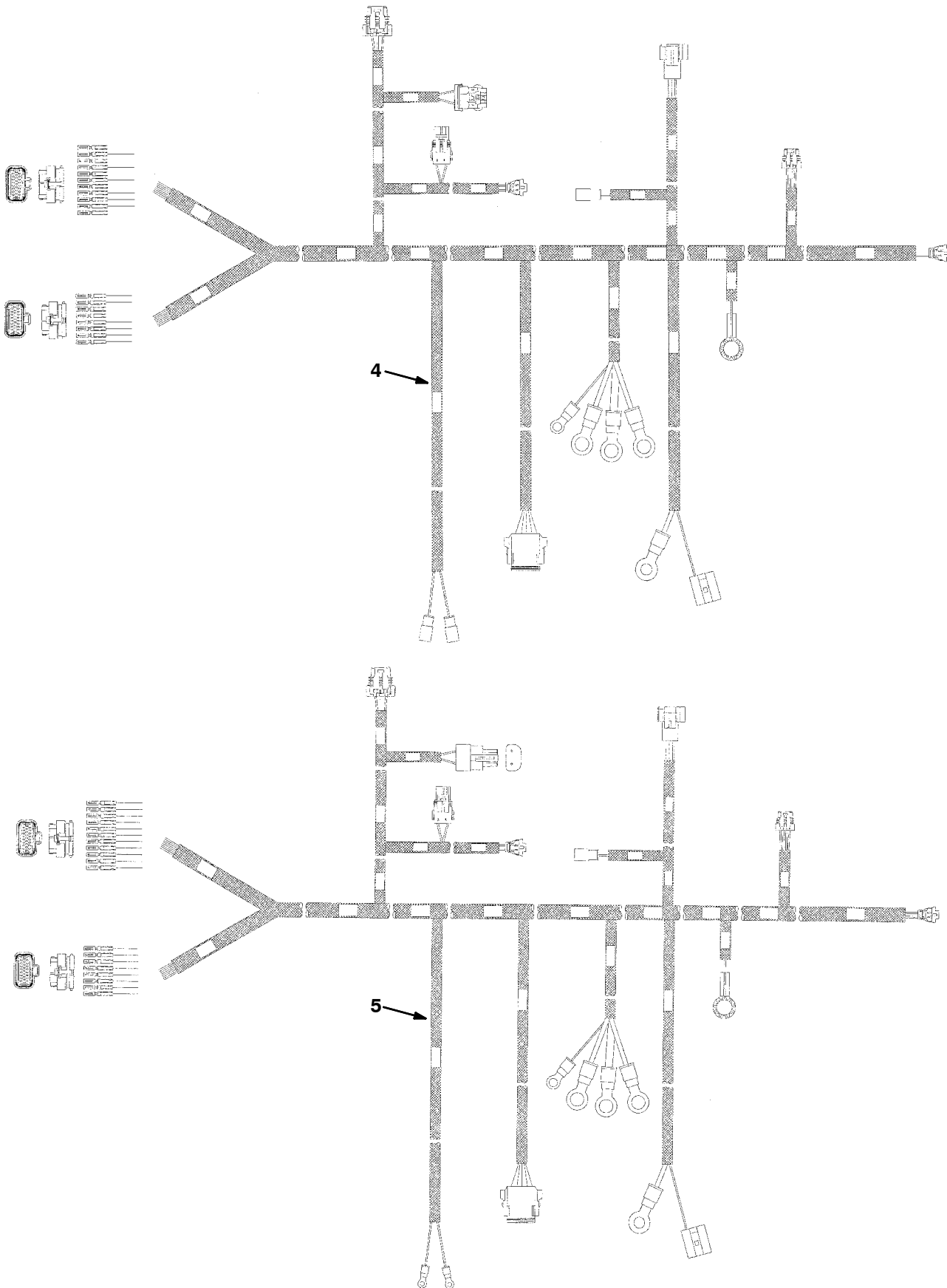


Fig. 61 - Electrical Wire Harness Group (001000-001505)

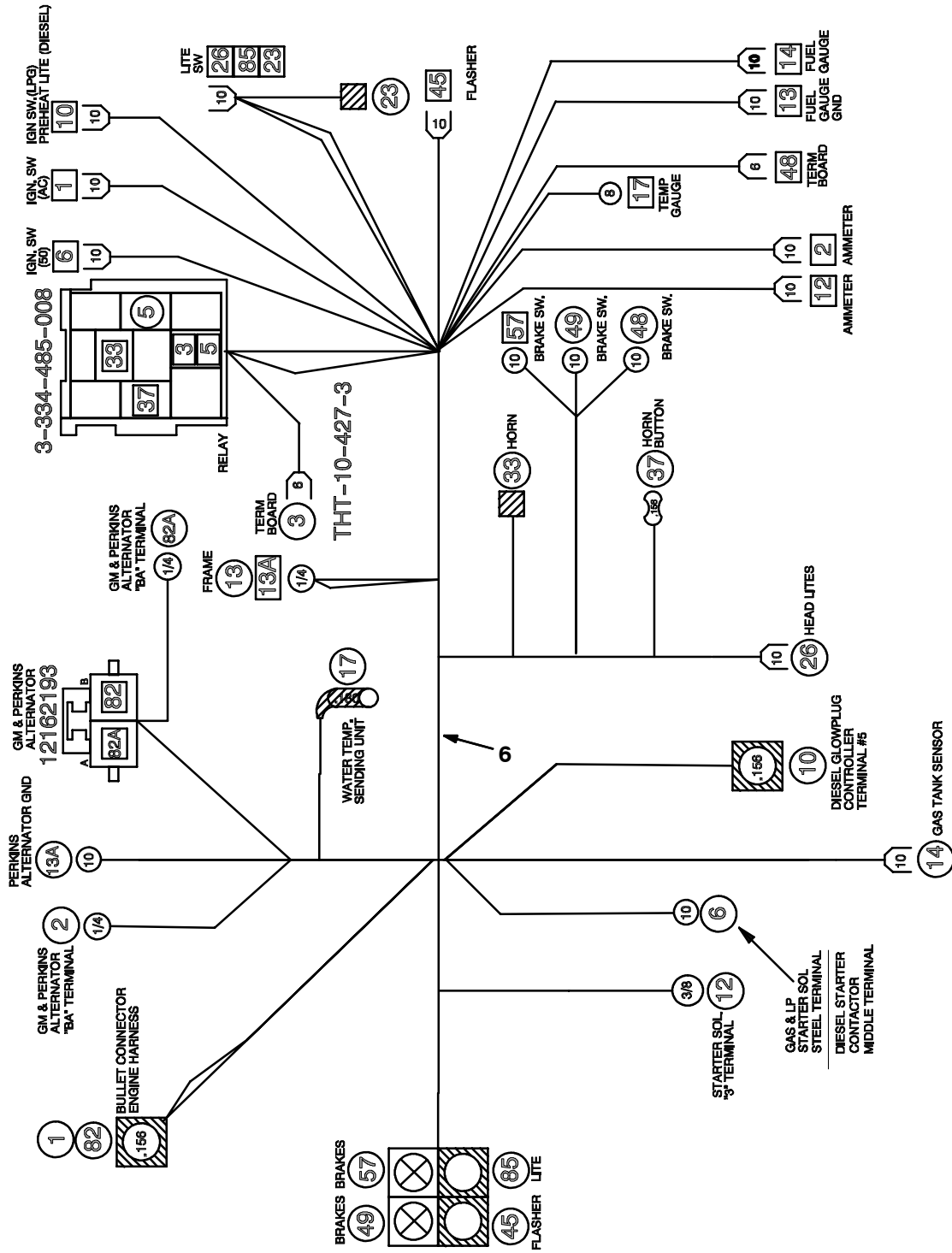


Fig. 61 - Electrical Wire Harnesses Group (001000-001505)

Ref.	Part No.	Serial Number	Description	Qty.
1	25181	(001000-001423)	Wire Harness, Main, Gasoline and LPG	1
2	61653	(001000-001505)	Wire Harness, Auto Squeegee	1
3	25182	(001000-001505)	Wire Harness, Tractor, Auto Squeegee	1
3	61654	(001000-001505)	Wire Harness, Control Box	1
4	393976	(001424-001505)	Wire Harness, Engine, LPG	1
5	371548	(001424-001505)	Wire Harness, Engine, Gas	1
6	392528	(001424-001505)	Harness, Main, Perkins/Gm, [550/1550]	1

Fig. 62 - Electrical Wire Harnesses Group, Gas/LPG (001508-)

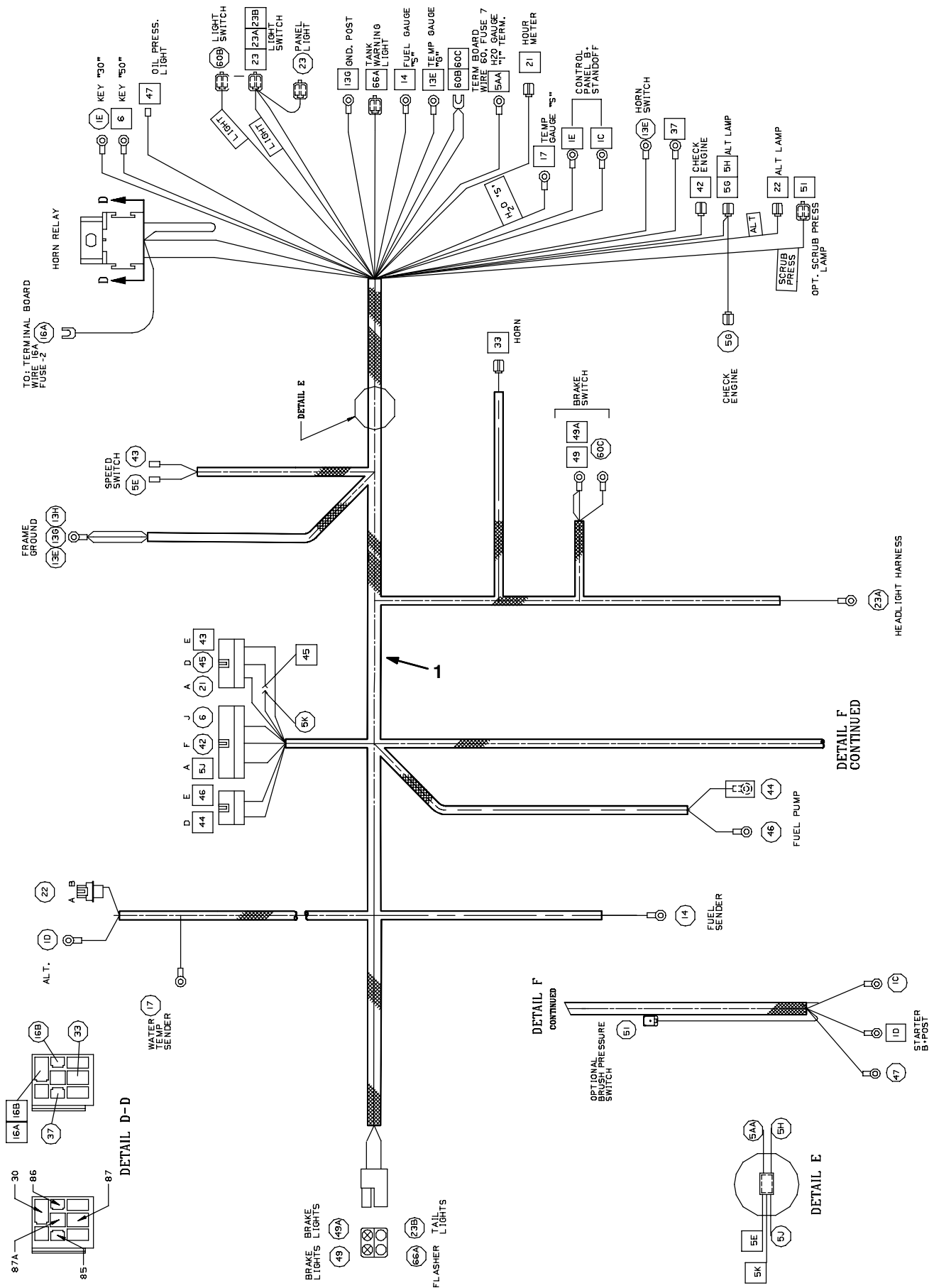


Fig. 62 - Electrical Wire Harnesses Group, Gas/LPG (001508-)

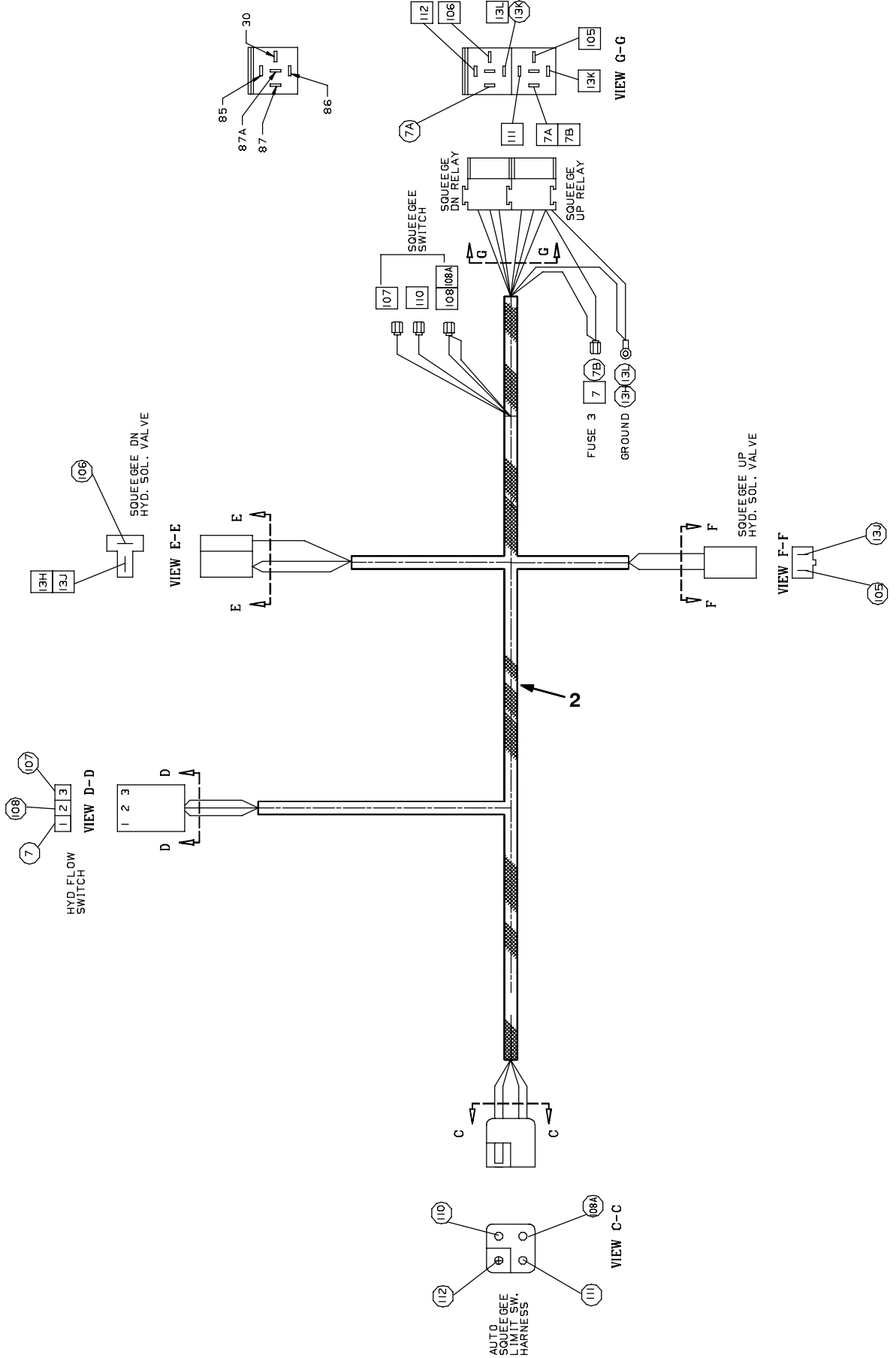


Fig. 62 - Electrical Wire Harness Group, Gas/LPG (001508-)

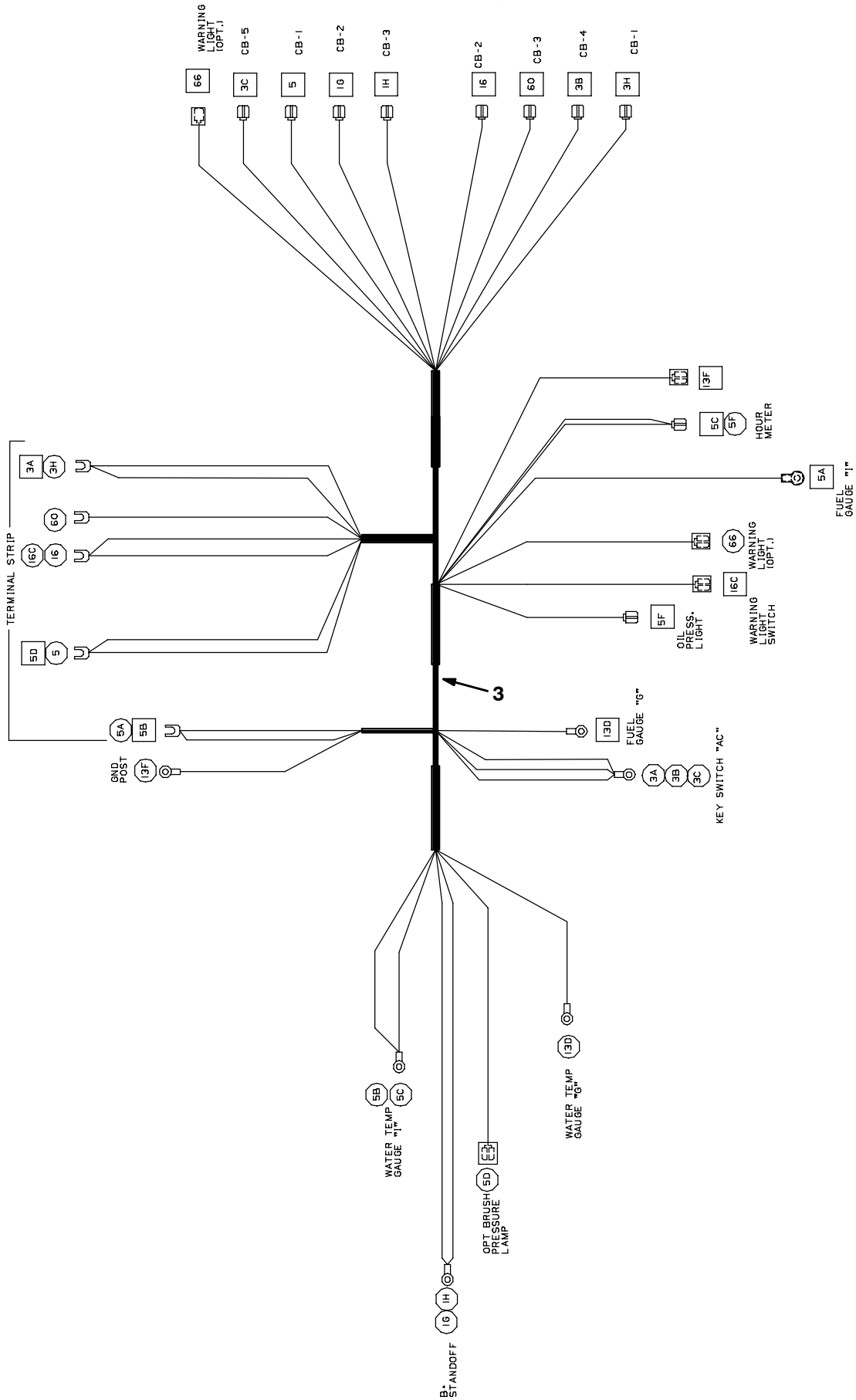


Fig. 62 - Electrical Wire Harnesses, Gas/LPG Group (001508-)

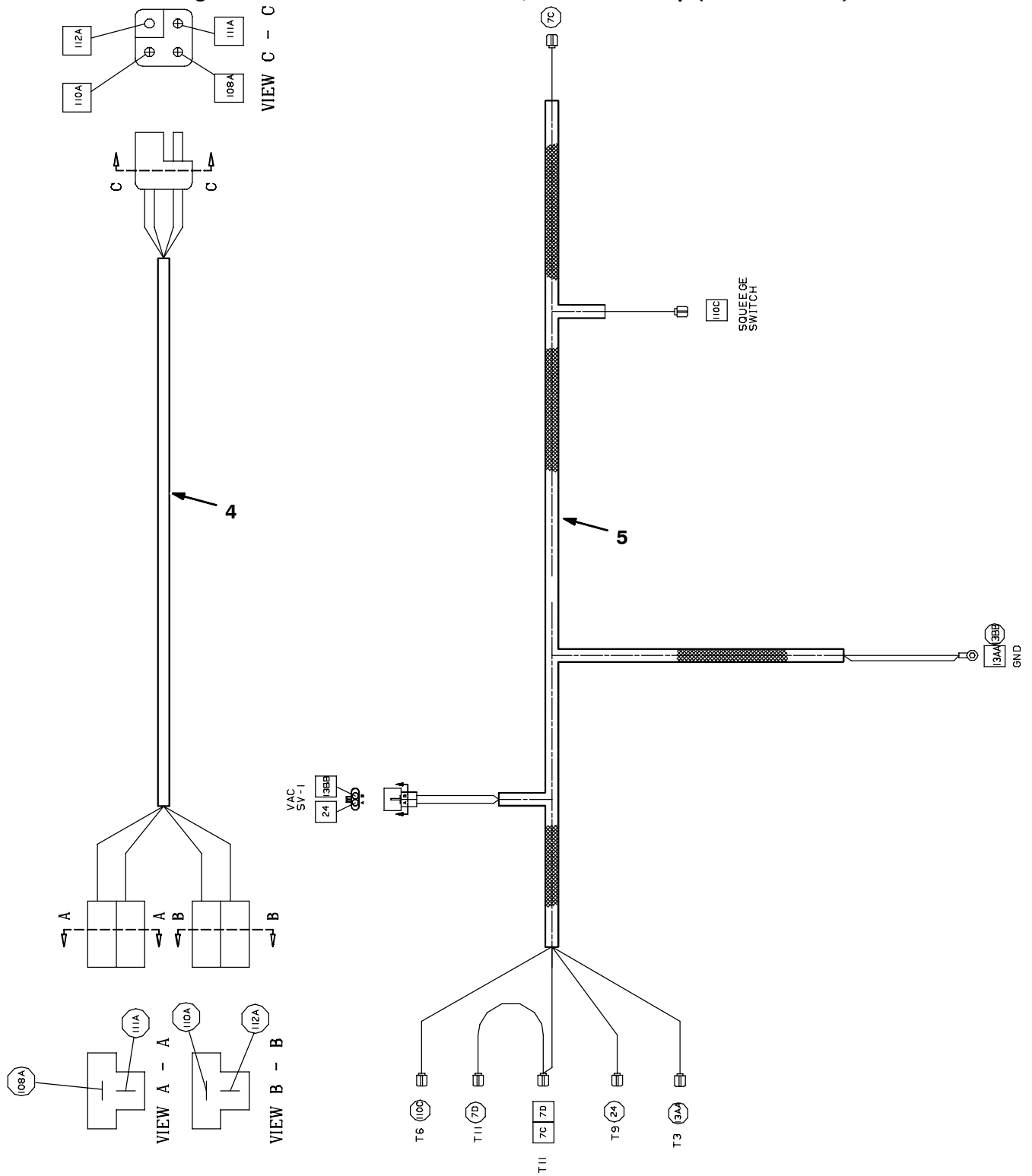


Fig. 62 - Electrical Wire Harnesses Group, Gas/LPG (001508-)

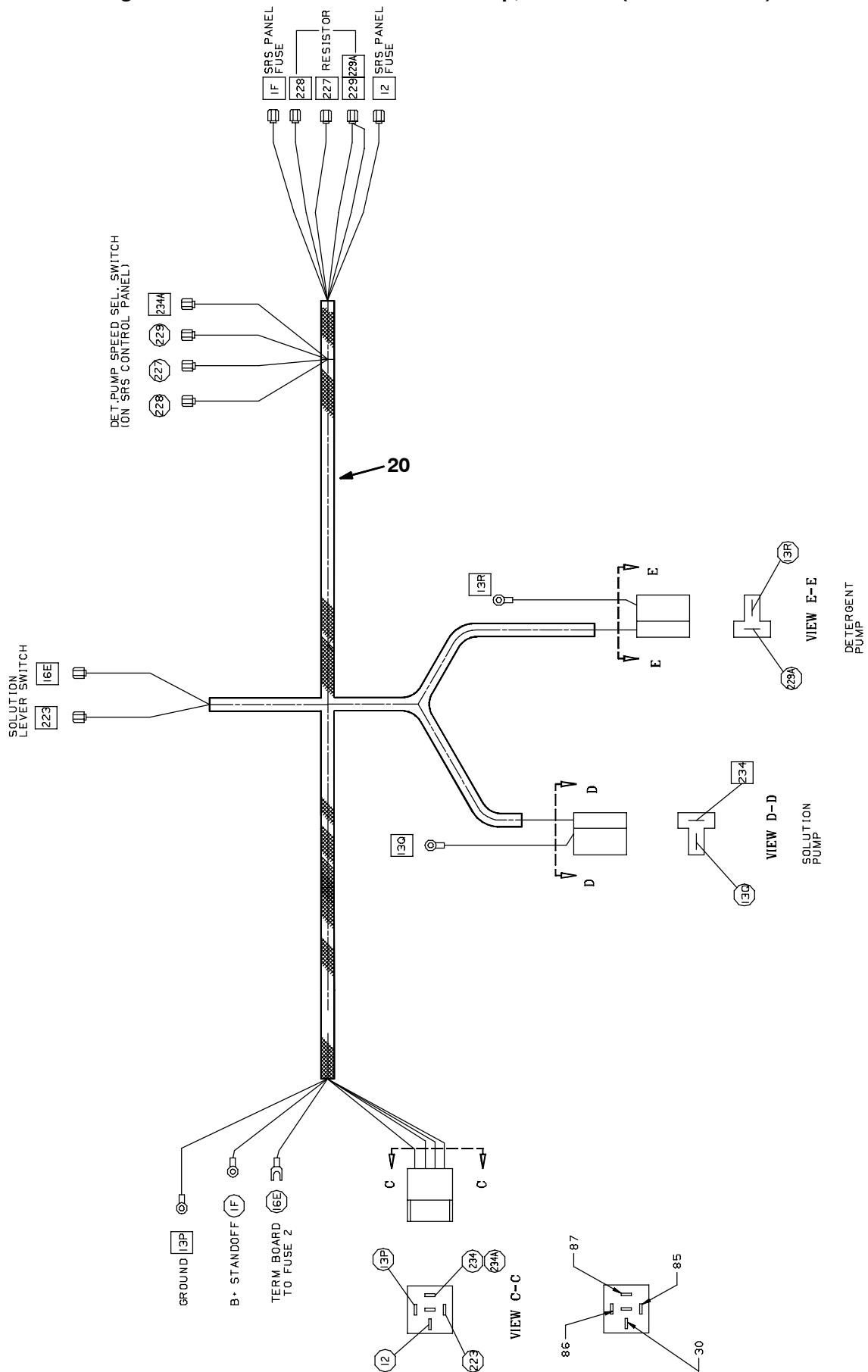


Fig. 62 - Electrical Wire Harnesses Group, Gas/LPG (001508-)

Engine Wire Harness

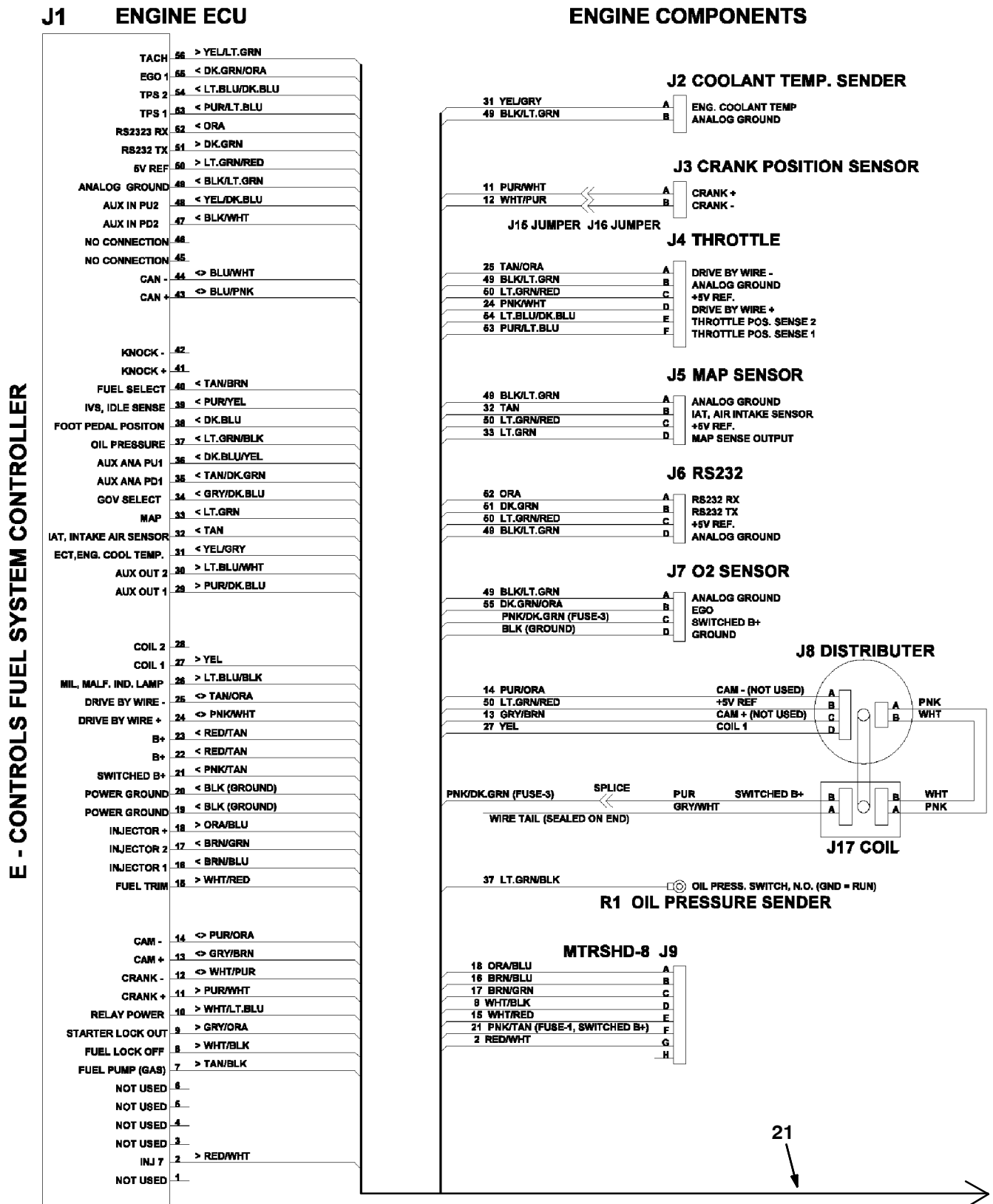


Fig. 62 - Electrical Wire Harnesses Group, Gas/LPG (001508-)

Engine Wire Harness
CONNECTIONS TO MACHINE

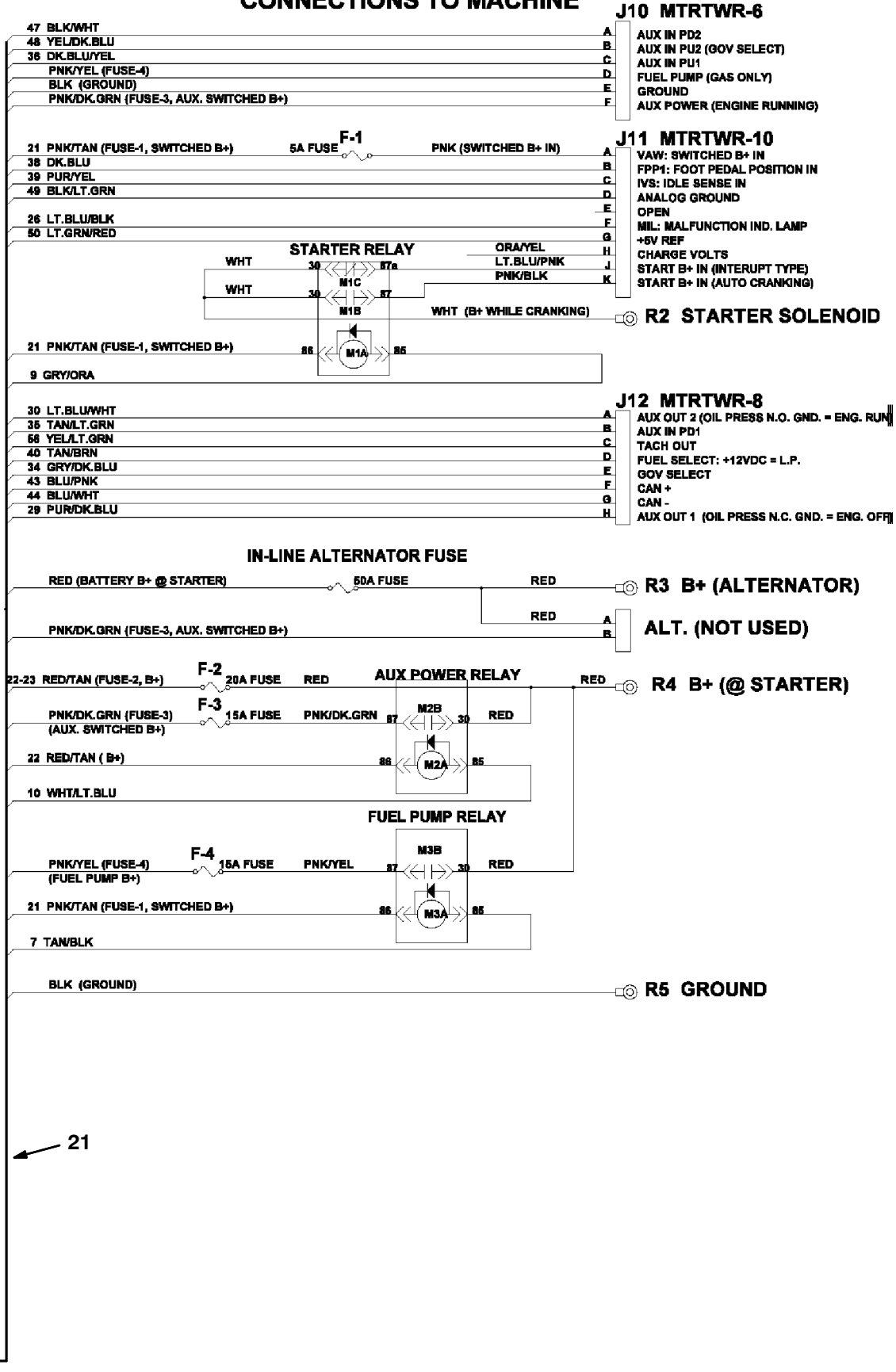


Fig. 62 - Electrical Wire Harnesses Group, Gas/LPG (001508-)

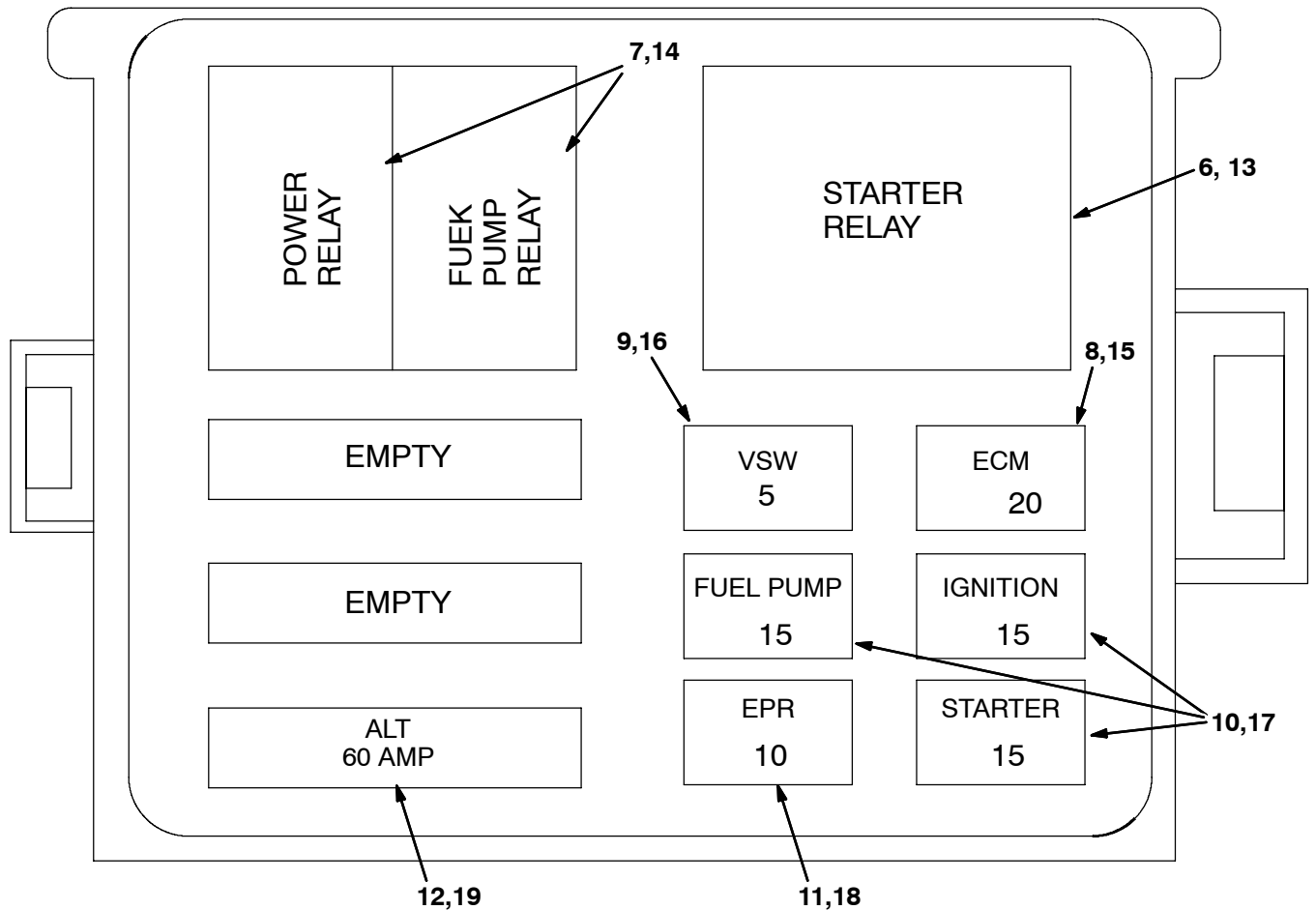
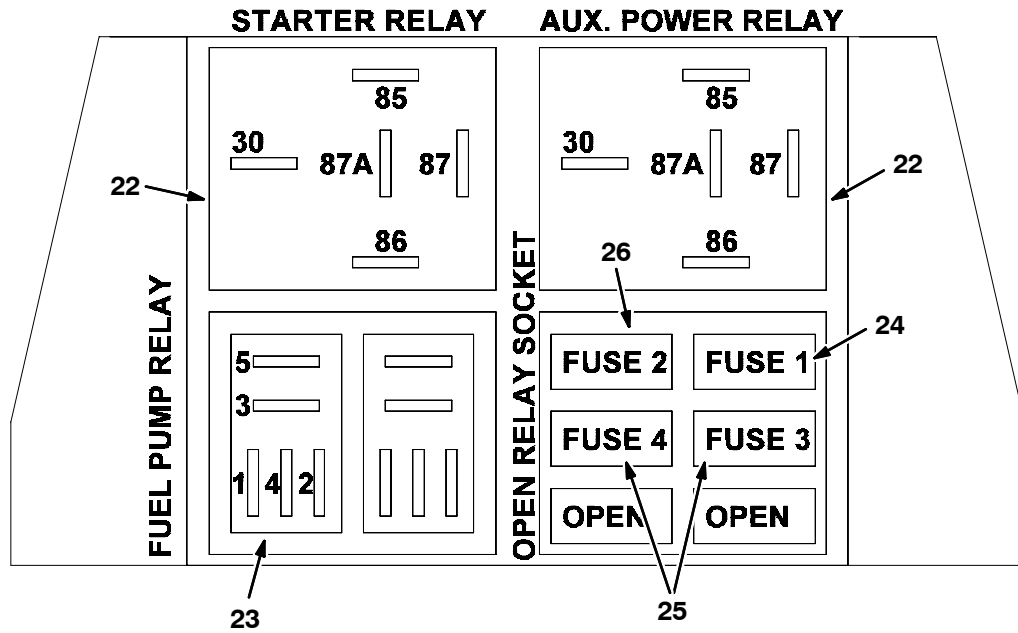
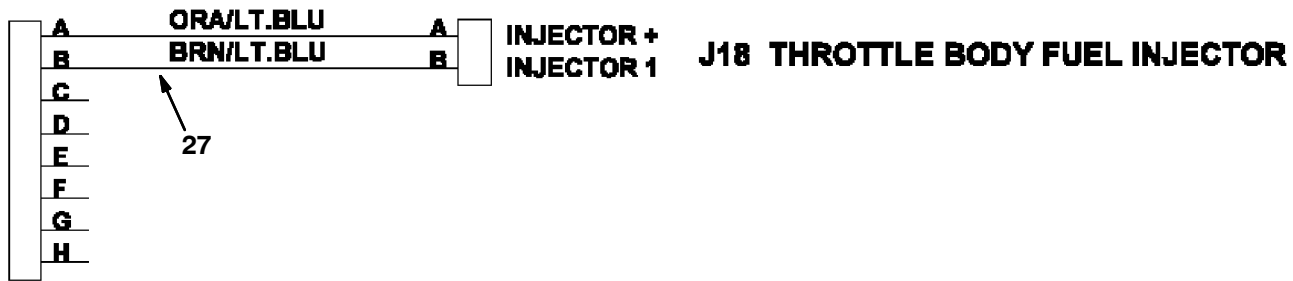


Fig. 62 - Electrical Wire Harnesses Group, Gas/LPG (001508-)

GAS INJECTOR AUX. HARNESS

J14 NTRSHD-8



L.P. DUAL SOL. AUX. HARNESS

J14 NTRSHD-8

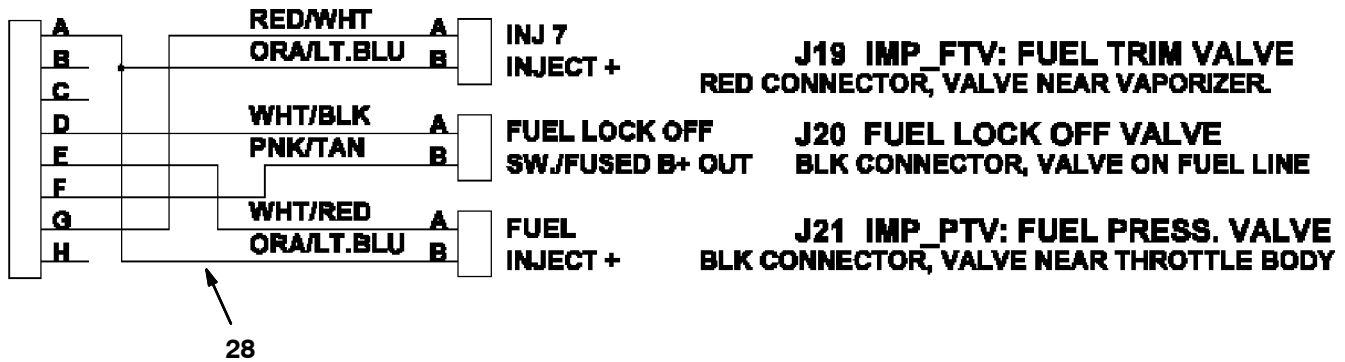


Fig. 62 - Electrical Wire Harnesses Group, Gas/LPG (001508-)

Ref.	Part No.	Serial Number	Description	Qty.	
1	391901	(001508-) Harness, Main, Gas/Lpg [550/1550]	1	
2	391907	(001508-) Harness, Tractor [550/1550]	1	
3	391902	(001508-) Harness, Panl, Cntrl [550]	1	
4	391909	(001508-) Harness, Tank, Sqge [1550]	1	
5	363992	(001508-) Harness, Sqge, Vacuum	1	
▽	385010	(001538-) Harness, Eng, Gas [3.0l 2007]	1	
▲	6	394916	(001538-) Relay, 12vdc, 20a, Spdt	1
▲	7	57804	(001538-) Relay, 12vdc, 40a, Spdt	2
▲	8	372237	(001538-) Fuse, 20 Amp, [Min-20]	1
▲	9	372235	(001538-) Fuse, 5 Amp, [Min-5]	1
▲	10	372236	(001538-) Fuse, 15 Amp, [Min-15]	2
▲	11	384999	(001538-) Fuse, 10 Amp	1
▲	12	384998	(001538-) Fuse, 60 Amp	1
▽	385018	(001538-) Harness, Eng, Lpg [3.0l 2007]	1	
▲	13	394916	(001538-) Relay, 12vdc, 20a, Spdt	1
▲	14	57804	(001538-) Relay, 12vdc, 40a, Spdt	2
▲	15	372237	(001538-) Fuse, 20 Amp, [Min-20]	1
▲	16	372235	(001538-) Fuse, 5 Amp, [Min-5]	1
▲	17	372236	(001538-) Fuse, 15 Amp, [Min-15]	2
▲	18	384999	(001538-) Fuse, 10 Amp	1
▲	19	384998	(001538-) Fuse, 60 Amp	1
	20	391908	(001508-) Harness, Srs [1550]	1
▽	21	1011011	(001508-001537)	Harness, Eng [3.0l, Gm, E-cntrl]	1
▲	22	57804	(001508-001537)	Relay, 12vdc, 40a, Spdt	2
▲	23	394916	(001508-001537)	Relay, 12vdc, 20a, Spdt	1
▲	24	372235	(001508-001537)	Fuse, 5 Amp, [Min-5]	1
▲	25	372236	(001508-001537)	Fuse, 15 Amp, [Min-15]	2
▲	26	372237	(001508-001537)	Fuse, 20 Amp, [Min-20]	1
	27	1011017	(001508-001537)	Harness, Injector, Gas[3.0l Gm,E-Cntrl]	1
	28	1011015	(001508-001537)	Harness, Lpg Injector [3.0l, Gm,E-Cont]	1

Fig. 63 - Instrument Panel Group, Gas/LPG (001000-001505)

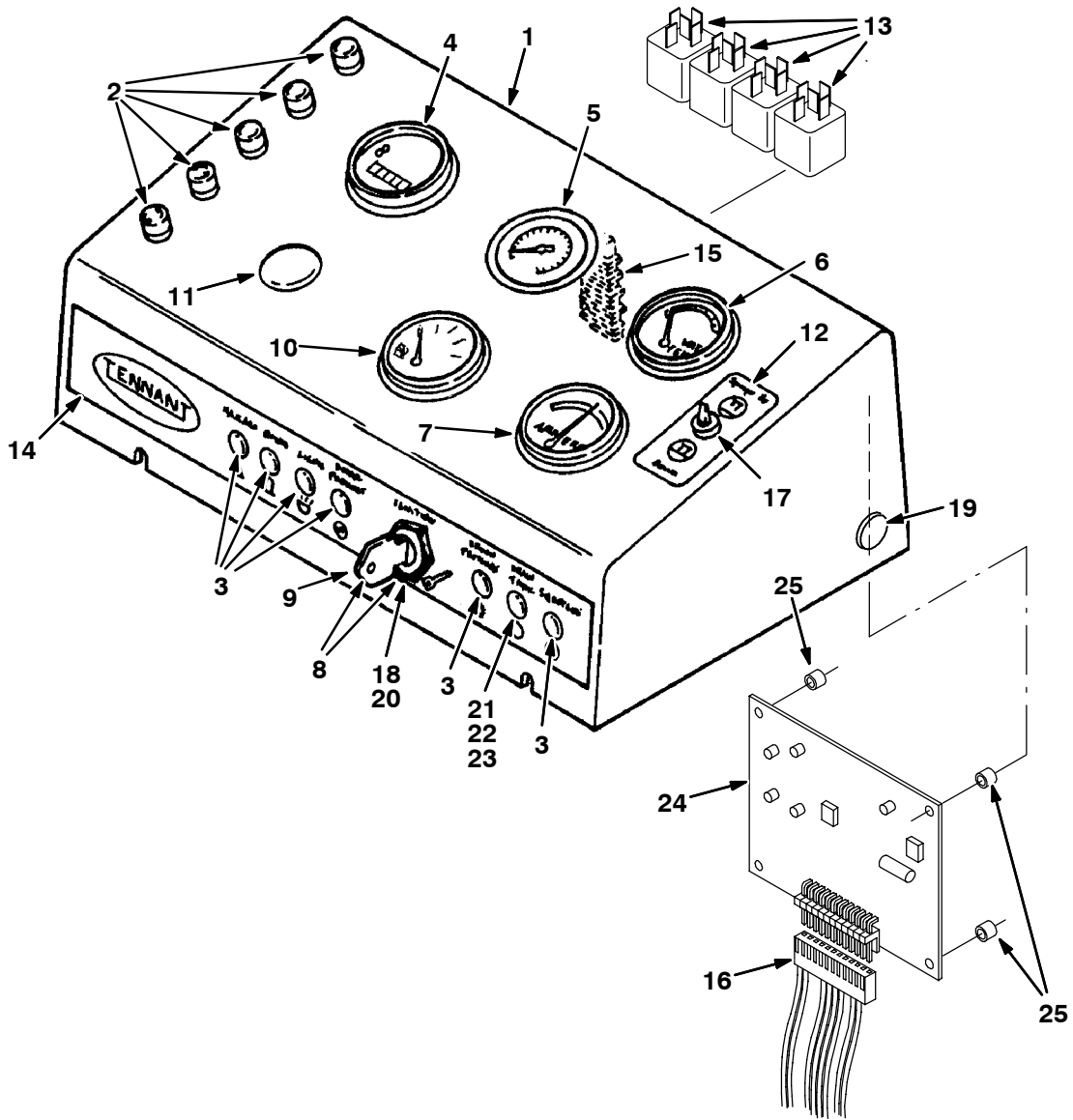


Fig. 63 - Instrument Panel Group, Gas/LPG (001000-001505)

Ref.	Part No.	Serial Number	Description	Qty.	
1	378997	(001000-001505)	Console, Instrument	1	
2	07422	(001000-001505)	Holder, Fuse	5	
	383723	(001000-001508)	Circuitbreaker, 20.0a, Resettable	1	
	07423	(001000-001505)	Fuse, 15 A	2	
	59984	(001000-001505)	Fuse, 1 A	1	
3	56992	(001000-001505)	Plug Button, 0.50 in (13 mm)	6	
4	34810	(001000-001505)	Meter, Hour	1	
5	21693	(001000-001126)	Replacement Kit, Oil Pressure Gauge	1	
5	21690	(001127-001505)	Gauge, Oil Pressure	1	
6	50330	(001000-001505)	Gauge, Water Temperature	1	
7	54180	(001000-001505)	Ammeter	1	
▽	8	87536	(001000-001505)	Switch, Ign [Ku]	1
▲	9	87866	(001000-001505)	Key, Ignition Switch (Set of 2)	1
10	34813	(001000-001505)	Gauge, Fuel Level	1	
11	47178-13	(001000-001505)	Plug Button, 1.25 in (32 mm)	1	
12	76234	(001000-001505)	Label, Switch, Squeegee Lift	1	
13	57804	(001000-001505)	Relay, Horn	4	
14	16667	(001000-001505)	Label, Instrument Console	1	
15	26523	(001000-001505)	Board, Terminal	1	
16	61651	(001000-001505)	Wire Harness, Level Warning	2	
17	76306	(001000-001505)	Switch, On-Off, Squeegee Lift	1	
	76536	(001000-001505)	Wire Kit, Instrument Panel	1	
	47178-12	(001000-001505)	Plugbutton, 2.0 in (50 mm)	1	
18	382516	(001000-001505)	Boot, Switch	1	
19	02431	(001000-001505)	Plug Button	2	
20	73736	(001000-001505)	Washer, 1.15B 1.75D .08Stl	1	
21	374119	(001000-001505)	Lamp Assy, Indicator, Red, 14Vdc	1	
22	45333	(001000-001505)	Terminal	1	
23	45224	(001000-001505)	Terminal, Quick Disconnect	1	
24	64795C-1	(001000-001505)	Board, P.C.	1	
25	64921	(001000-001505)	Spacer	4	

STANDARD PARTS

Fig. 64 - Instrument Panel Group, Gas (001508-)

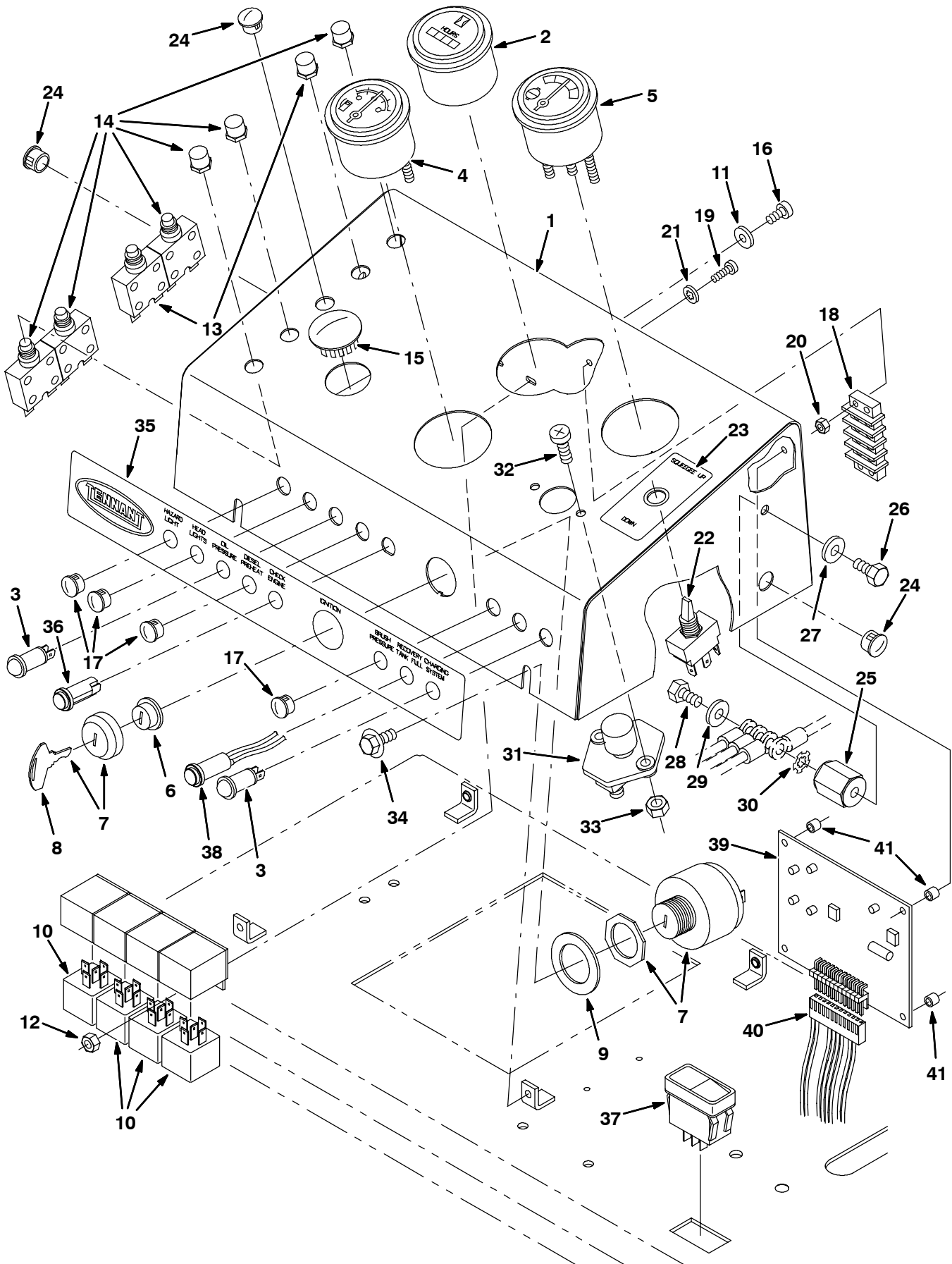
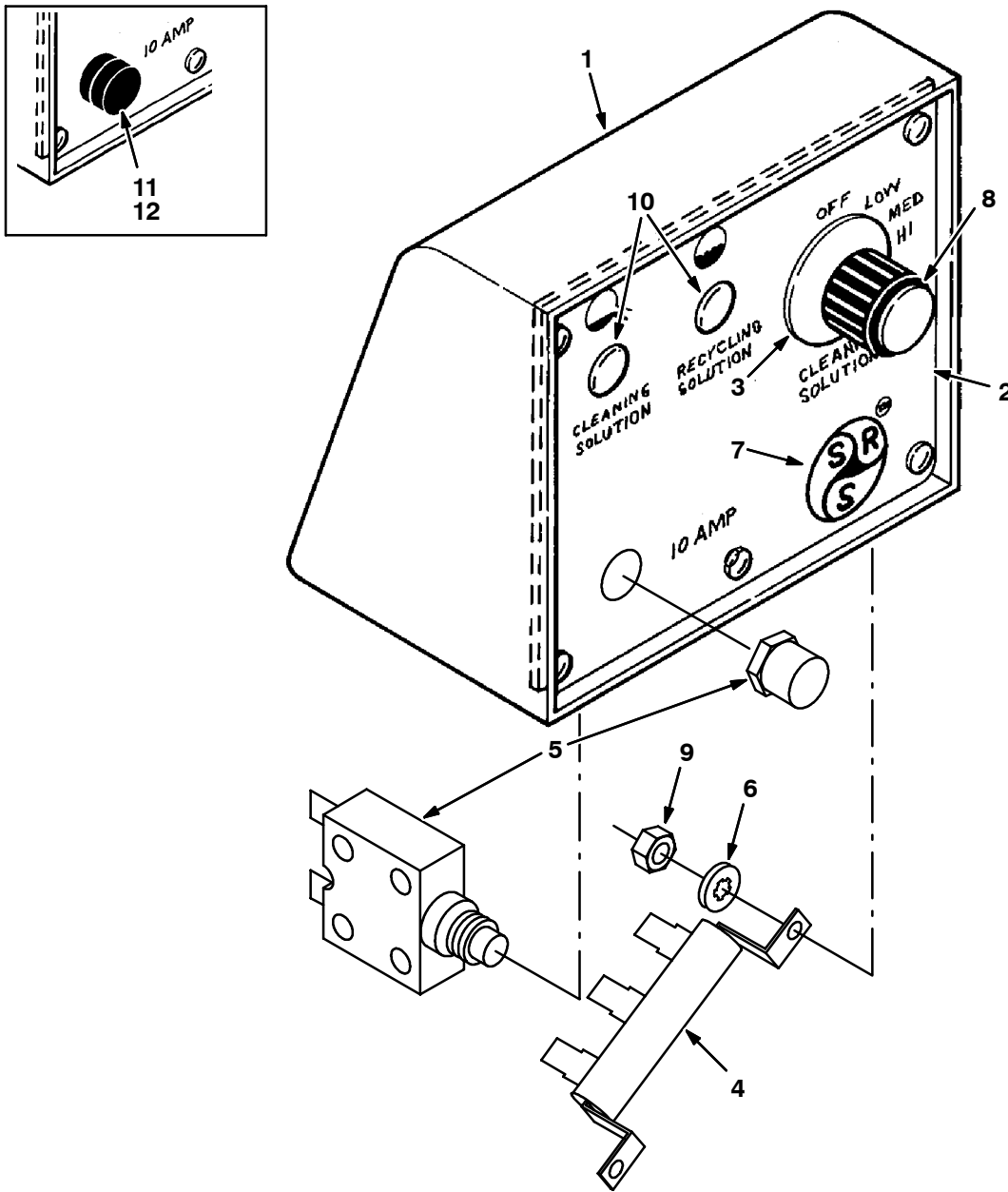


Fig. 64 - Instrument Panel Group, Gas (001508-)

Ref.	Part No.	Serial Number	Description	Qty.	
1	1015379	(001508-) Panel Wldt, Console, Instmt [550]	1	
2	34810	(001508-) Hourmeter, 12-24vdc, Analog, Rnd	1	
3	34820	(001508-) Light, Panl, 14vdc, Red, 0.6d	2	
4	34813	(001508-) Gauge, Fuel, 0-90ohm 8-18vdc	1	
5	50330	(001508-) Gauge, Temp, 100-260 2.3d 12vdc	1	
6	382516	(001508-) Boot, Switch	1	
▽	7	87536	(001508-) Switch, Ign [Ku]	1
▲	8	87866	(001508-) Key, Ignition, [Set Of 2]	1
9	73736	(001508-) Washer, 1.15b 1.75d .08, Stl	1	
10	57804	(001508-) Relay, 12vdc, 40a, Spdt, [Potter]	4	
11	19065	(001508-) Washer, Flat, #08	4	
12	45181	(001508-) Nut, Hex, Lock, #10-24, NI	4	
13	383723	(001508-) Circuitbreaker, 20.0a, Resetable	1	
14	383722	(001508-) Circuitbreaker, 15.0a	3	
15	47178-13	(001508-) Button, Plug, 1.25h .06-.09 [Chrome Stl]	1	
16	39648	(001508-) Screw, Pan, #10-24 X 0.38, 1	4	
17	56992	(001508-) Button, Plug, 0.50h .03-.12 [Black Nyl]	4	
18	26523	(001508-) Block, Terminal, 4 Connector	1	
19	32517	(001508-) Screw, Pan, #08-32 X 0.62, 1	1	
20	19310	(001508-) Nut, Hex, Std, #08-32	1	
21	32978	(001508-) Washer, Lock, Int, #08	1	
22	76306	(001508-) Switch, Toggle, 250vac 10a On/On	1	
23	76234	(001508-) Label, Control, Sqge	1	
24	02431	(001508-) Button, Plug, 0.56h .03-.12 [Black Nyl]	3	
25	76062	(001508-) Insulator, Panel & Switchboard	1	
26	19316	(001508-) Screw, Hex, .25-20 X 0.62, 5	1	
27	41185	(001508-) Washer, Belleville, .25	1	
28	19315	(001508-) Screw, Hex, .25-20 X 0.50, 5	1	
29	32490	(001508-) Washer, Flat, 0.25 Std	1	
30	41141	(001508-) Washer, Lock, Int-Ext, .31	1	
31	44078	(001508-) Switch, Push, 12vdc 80a Spst No	1	
32	39712	(001508-) Screw, Pan, .25-20 X 0.75, 2	2	
33	75934	(001508-) Nut, Hex, Lock, .25-20, NI	2	
34	16949	(001508-) Screw, Hex, .25-20 X 0.75, Sems	4	
35	1015389	(001508-) Label, Console, Instmt	1	
36	1012185	(001508-) Light, Warning, Check Engine, Amb, 14 Vdc	1	
37	371580	(001508-) Switch, Speed, Eng	1	
38	374119	(001508-) Light, Indicator, 14vdc Red	1	
	45333	(001508-) Terminal, Spade, #10stud, 14/16awg	1	
	45224	(001508-) Terminal, Qdc, [.25f, Insf,14]	1	
39	64795C-1	(001508-) P.c.board, Level Sensing-compl	1	
40	391905	(001508-) Harness, Sensing, Level, Srs [1550]	1	
41	64921	(001508-) Spacer	4	

Fig. 65 - SRS Control Panel Assembly



00351, 354285 - 550, 1550

Ref.	Part No.	Serial Number	Description	Qty.
▽	79318	(001000-) Control Panel Assembly	1
▲	1 79314	(001000-) Console, Instrument	1
▲	2 32798	(001000-) Panel, Front	1
▲	3 63837	(001000-) Switch, Cleaning Solution Metering	1
▲	4 16440	(001000-) Resistor	1
▲	5 383722	(001508-) Circuitbreaker, 15.0a	1
▲	6 02938	(001000-) Washer, Lock, Int, 08, Ss	2
▲	7 79410	(001000-) Decal, Control Panel	1
▲	8 63814	(001000-) Knob	1
▲	9 19310	(001000-) Nut, Hex, Std, #08-32	2
	10 374119	(001000-) Light, Indicator, 14vdc Red	2
	11 07422	(001000-001505) Holder, Fuse	1
	12 45595	(001000-001505) Fuse, 10 A	1

Fig. 66 - Hydraulic Schematic (001000-001103)

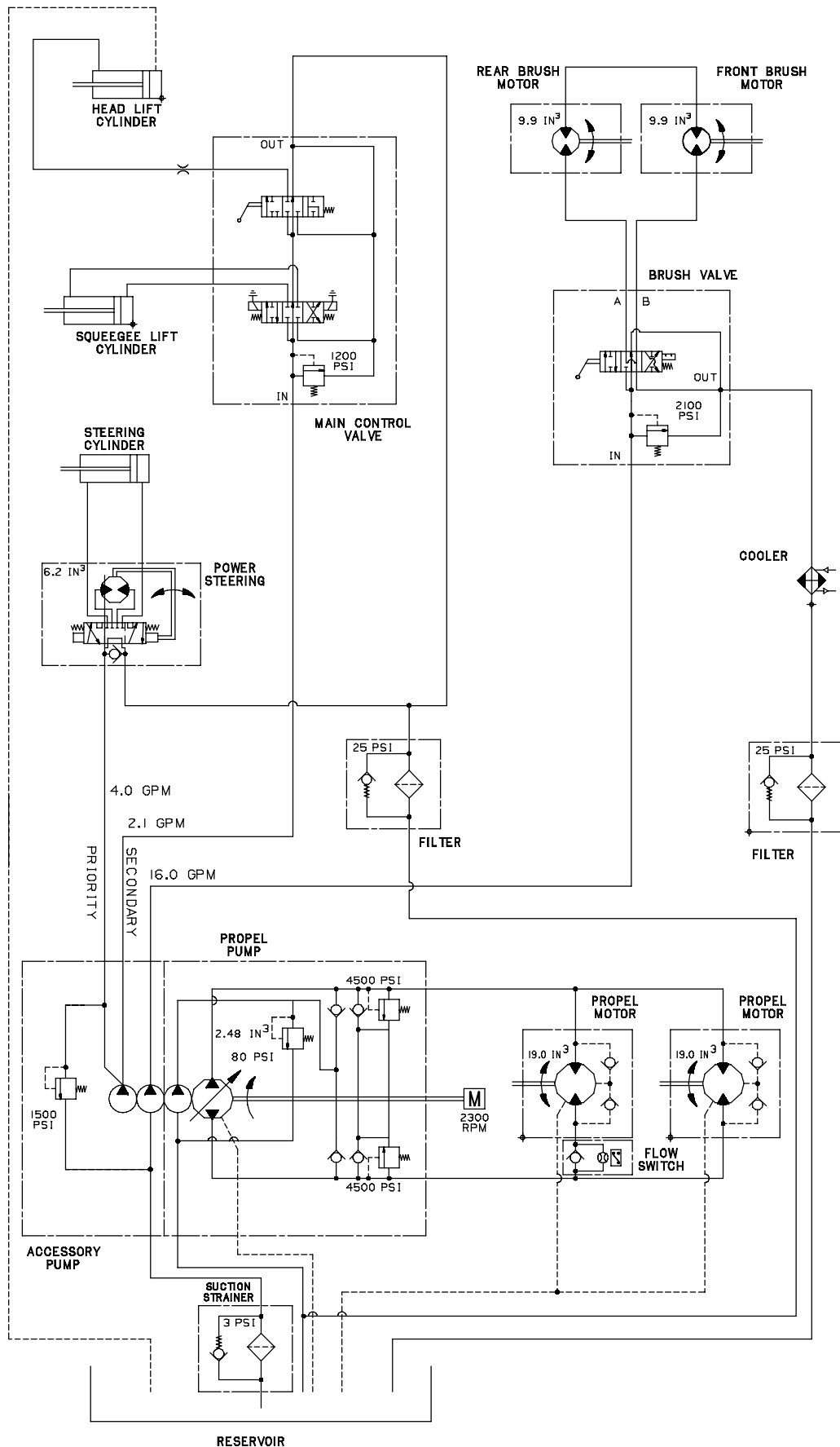
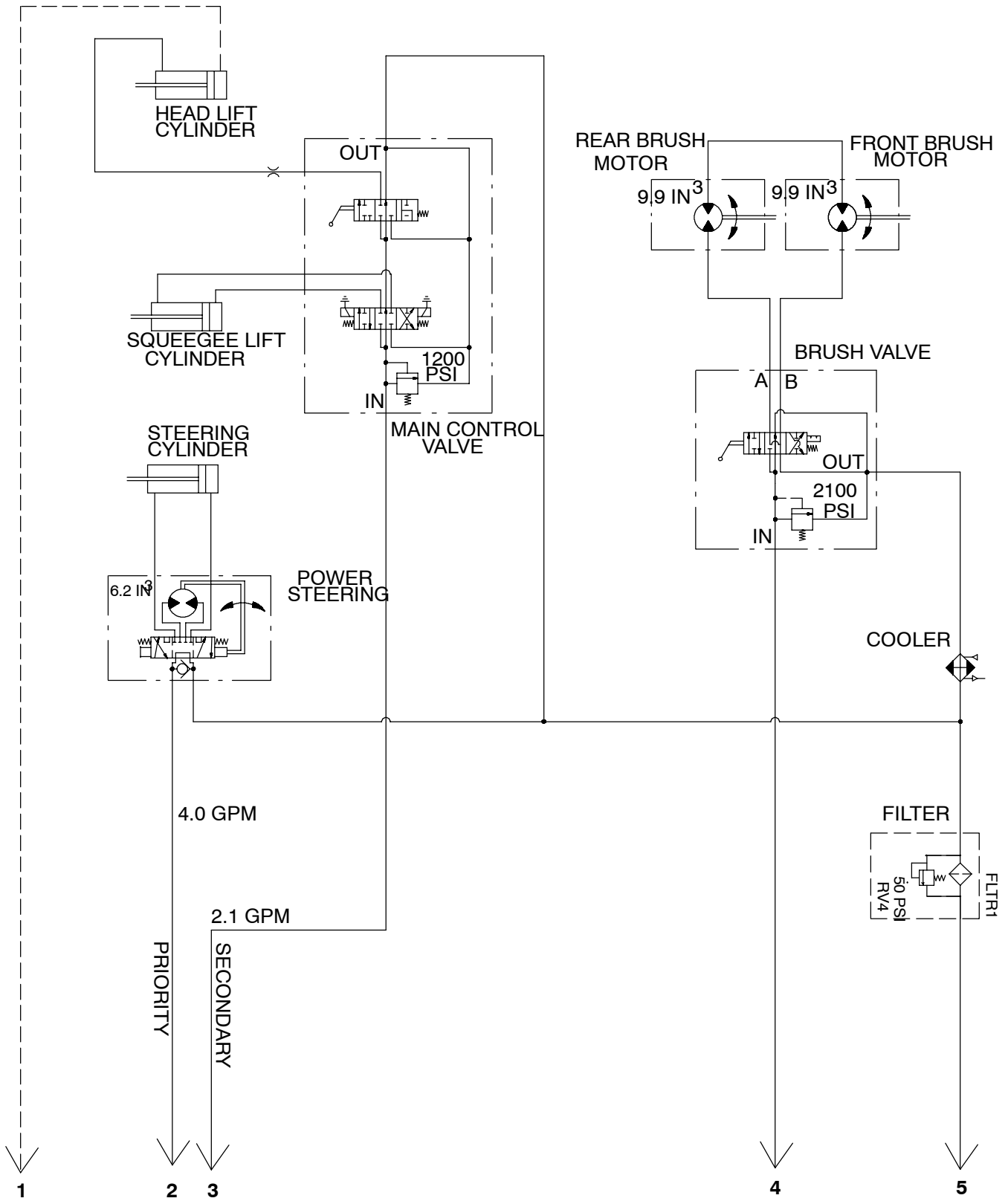
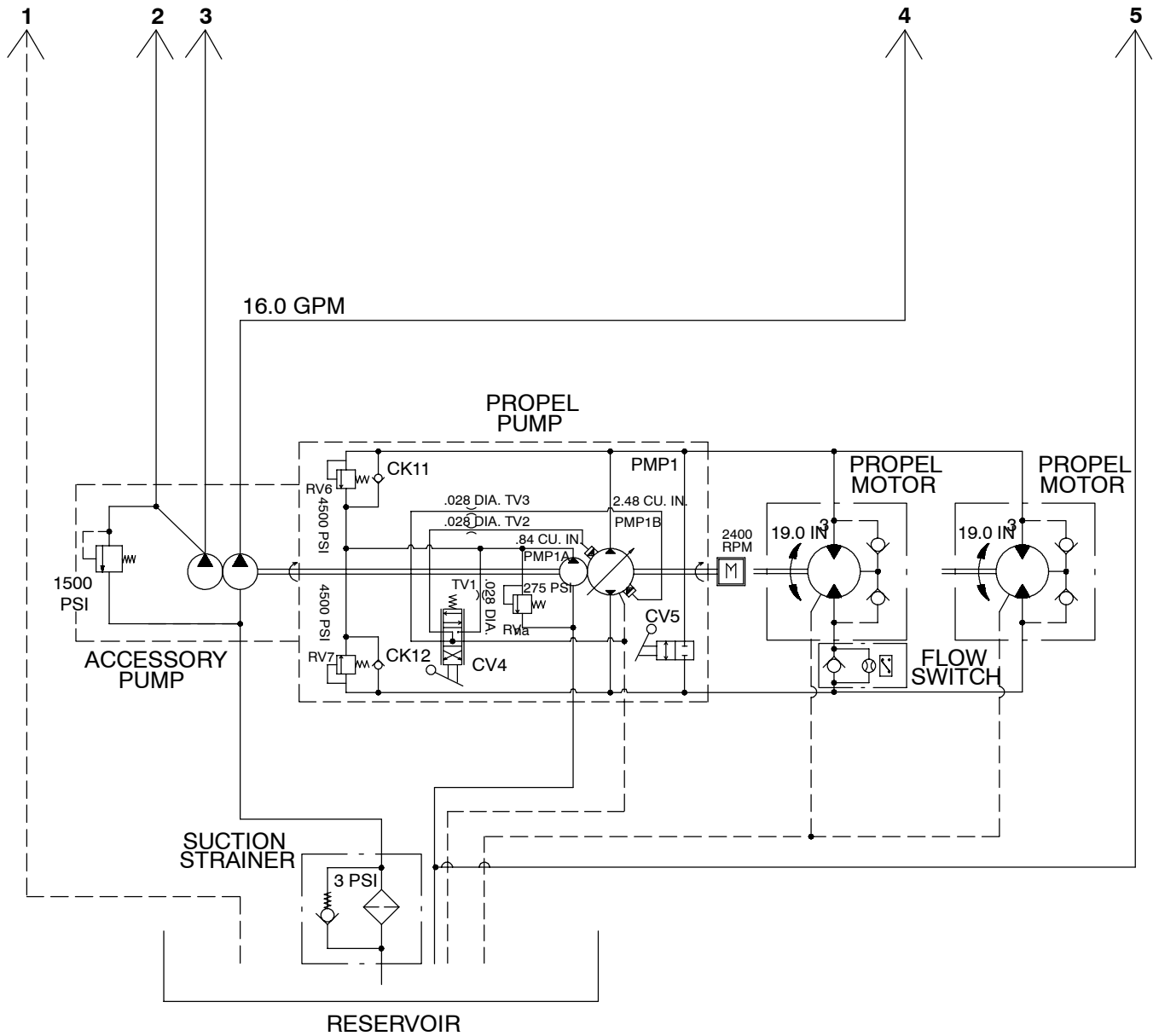


Fig. 67 - Hydraulic Schematic (001104-001505)



11122 - 550, 1550

Fig. 67 - Hydraulic Schematic (001104-001505)



11122 - 550, 1550

Fig. 68 - Hydraulic Schematic, Gas/LPG (001508-)

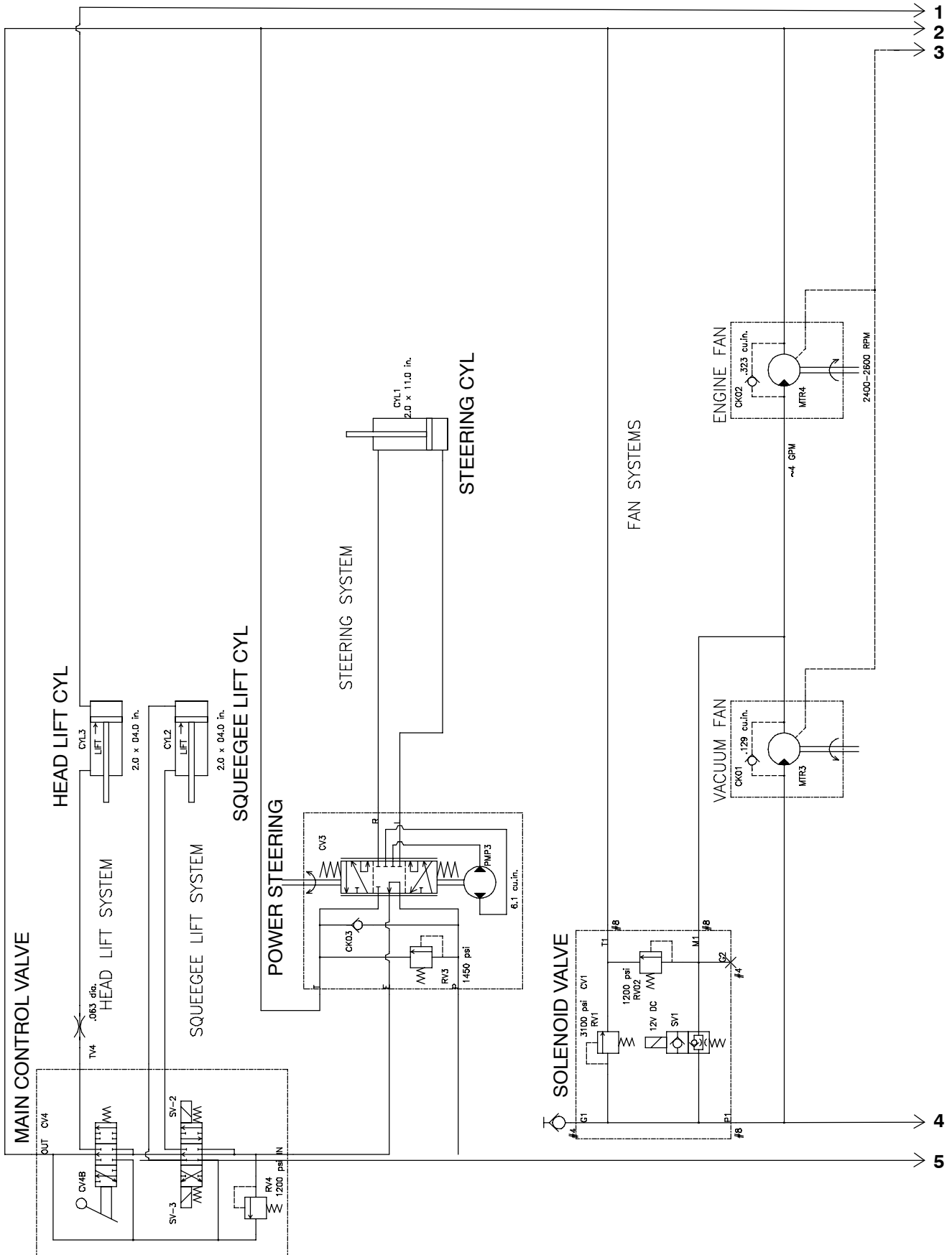
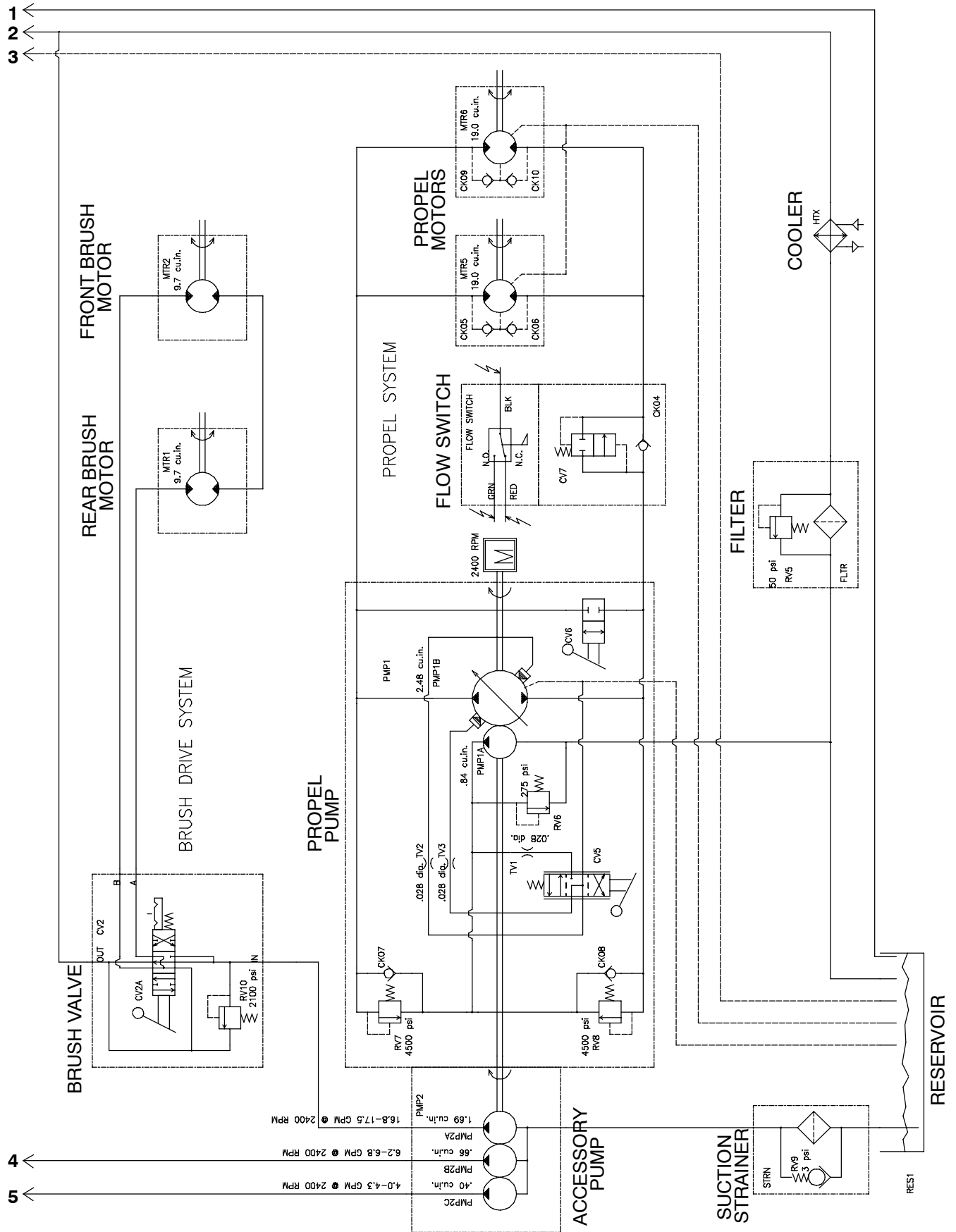


Fig. 68 - Hydraulic Schematic, Gas/LPG (001508-)



1023221 - 550, 1550

Fig. 69 - Hydraulic Hoses Group (001000-001103)

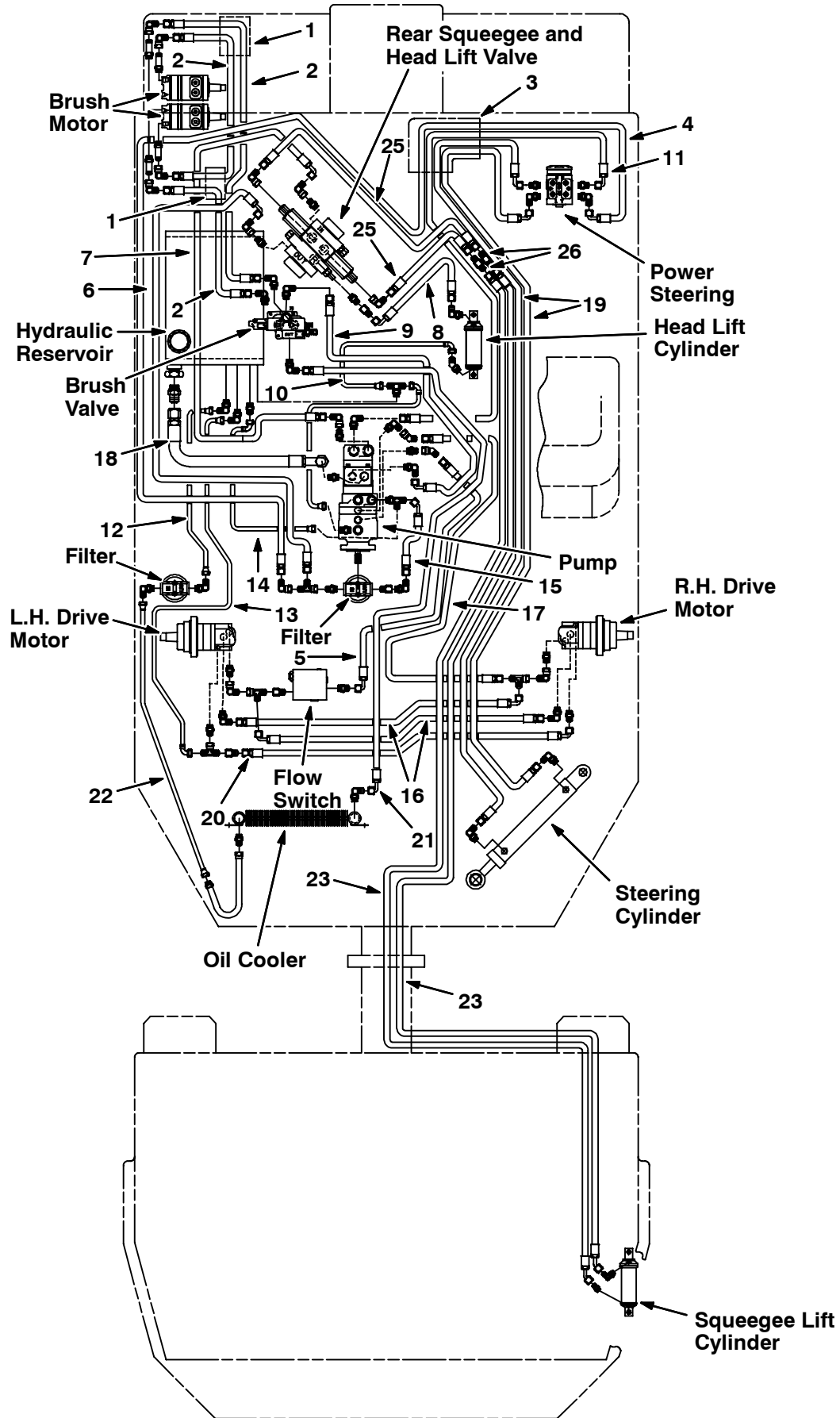


Fig. 69 - Hydraulic Hoses Group (001000-001103)

Ref.	Part No.	Serial Number	Description	Qty.
1	82832	(001000-001103)	Sleeve, Hose	2
2	31606	(001000-001103)	Hose, Hydraulic	3
3	31672	(001000-001103)	Sleeve, Hose	1
4	02469	(001000-001103)	Hose, Hydraulic	1
5	02468	(001000-001103)	Hose, Hydraulic	1
6	31597	(001000-001103)	Hose, Hydraulic	1
7	31598	(001000-001103)	Hose, Hydraulic	1
8	57964	(001000-001103)	Hose, Hydraulic	1
9	31612	(001000-001103)	Hose, Hydraulic	1
10	31600	(001000-001103)	Hose, Hydraulic	1
11	31597	(001000-001103)	Hose, Hydraulic	1
12	82835	(001000-001103)	Hose, Hydraulic	1
13	31603	(001000-001103)	Hose, Hydraulic	1
14	55705	(001000-001103)	Hose, Hydraulic	1
15	34422	(001000-001103)	Hose, Hydraulic	1
16	31608	(001000-001103)	Hose, Hydraulic	2
17	34387	(001000-001103)	Hose, Hydraulic	1
18	34351	(001000-001103)	Hose, Hydraulic	1
19	31565	(001000-001103)	Hose, Hydraulic	2
20	31602	(001000-001103)	Hose, Hydraulic	1
21	31610	(001000-001103)	Hose, Hydraulic	1
22	31611	(001000-001103)	Hose, Hydraulic	1
23	31570	(001000-001103)	Hose, Hydraulic	2
24	34420	(001000-001103)	Hose, Hydraulic	1
25	34380	(001000-001103)	Hose, Hydraulic	2
26	27774	(001000-001103)	Fitting, Straight	2

Fig. 70 - Hydraulic Hoses Group (001104-001505)

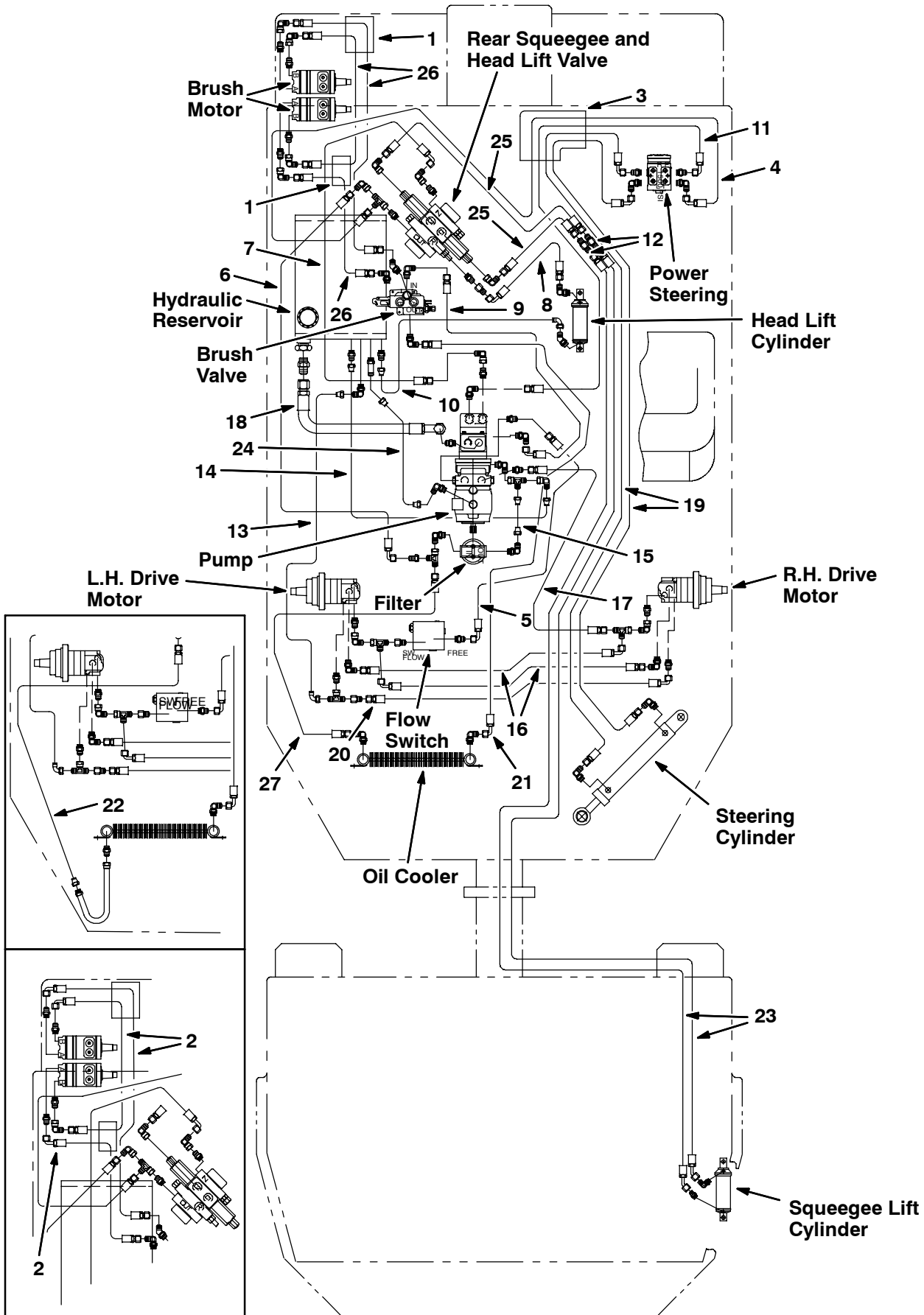


Fig. 70 - Hydraulic Hoses Group (001104-001505)

Ref.	Part No.	Serial Number	Description	Qty.
1	82832	(001104-001505)	Sleeve, Hose	2
2	79079	(001104-001351)	Hose, Hydraulic	3
3	31672	(001104-001505)	Sleeve, Hose	1
4	02683	(001104-001505)	Hose, Hydraulic	1
5	79106	(001104-001505)	Hose, Hydraulic	1
6	59560	(001104-001505)	Hose, Hydraulic	1
7	31598	(001104-001505)	Hose, Hydraulic	1
8	57964	(001104-001505)	Hose, Hydraulic	1
9	79104	(001104-001505)	Hose, Hydraulic	1
10	31600	(001104-001505)	Hose, Hydraulic	1
11	31597	(001104-001505)	Hose, Hydraulic	1
12	27774	(001104-001505)	Fitting, Straight	2
13	31603	(001104-001505)	Hose, Hydraulic	1
14	55775	(001104-001505)	Hose, Hydraulic	1
15	82835	(001104-001505)	Hose, Hydraulic	1
16	79105	(001104-001505)	Hose, Hydraulic	2
17	79107	(001104-001505)	Hose, Hydraulic	1
18	34351	(001104-001505)	Hose, Hydraulic	1
19	31565	(001104-001505)	Hose, Hydraulic	2
20	31602	(001104-001505)	Hose, Hydraulic	1
21	31610	(001104-001505)	Hose, Hydraulic	1
22	31611	(001104-001423)	Hose, Hydraulic	1
23	31570	(001104-001505)	Hose, Hydraulic	2
24	57568	(001104-001109)	Hose, Hydraulic	1
24	13113	(001110-001505)	Hose, Hydraulic	1
25	34380	(001104-001505)	Hose, Hydraulic	2
26	375761	(001352-001505)	Hose, Hydraulic	3
27	42208	(001424-001505)	Hose, Hydraulic	1

Fig. 71 - Hydraulic Hoses Group, Gas/LPG (001508-)

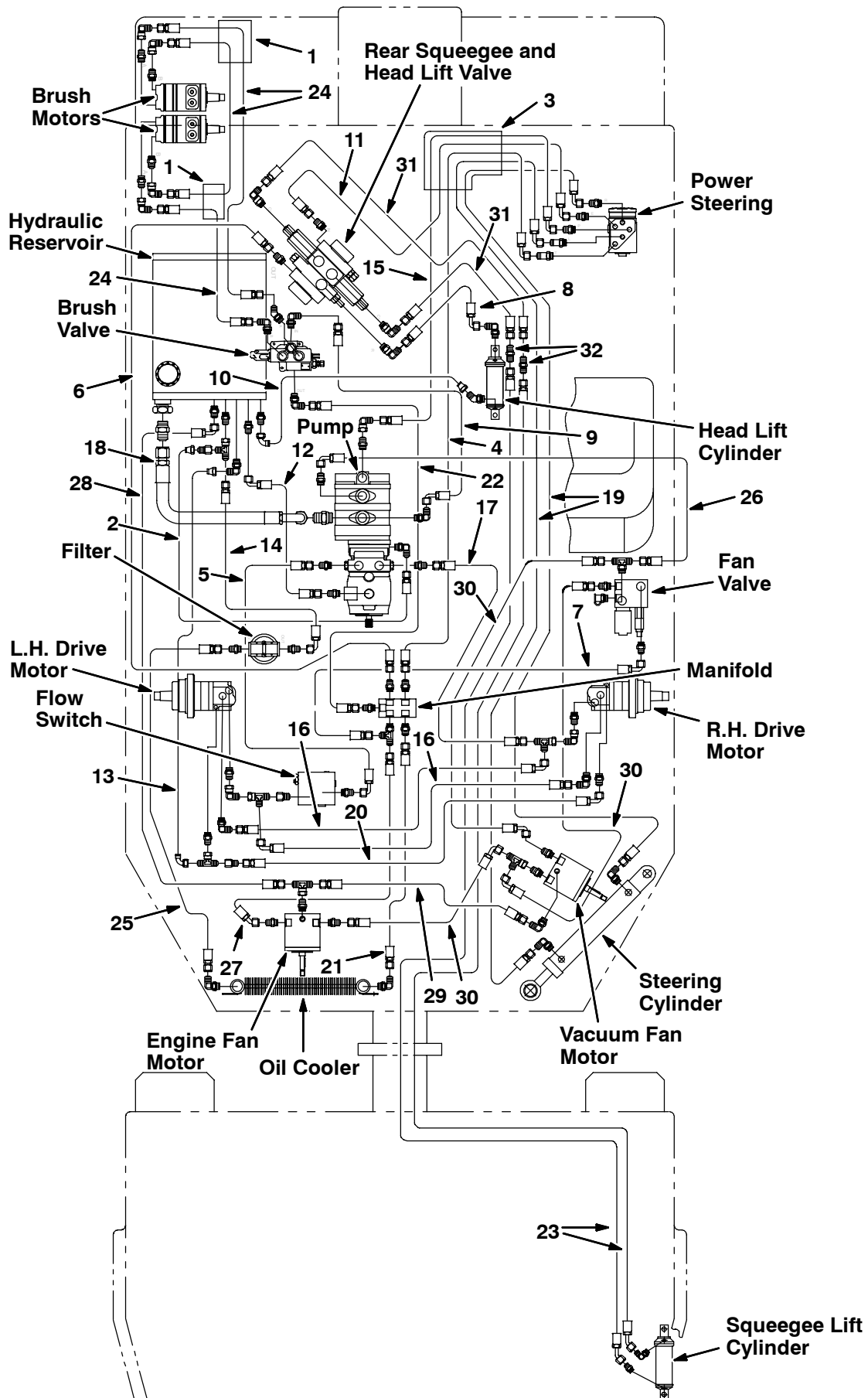
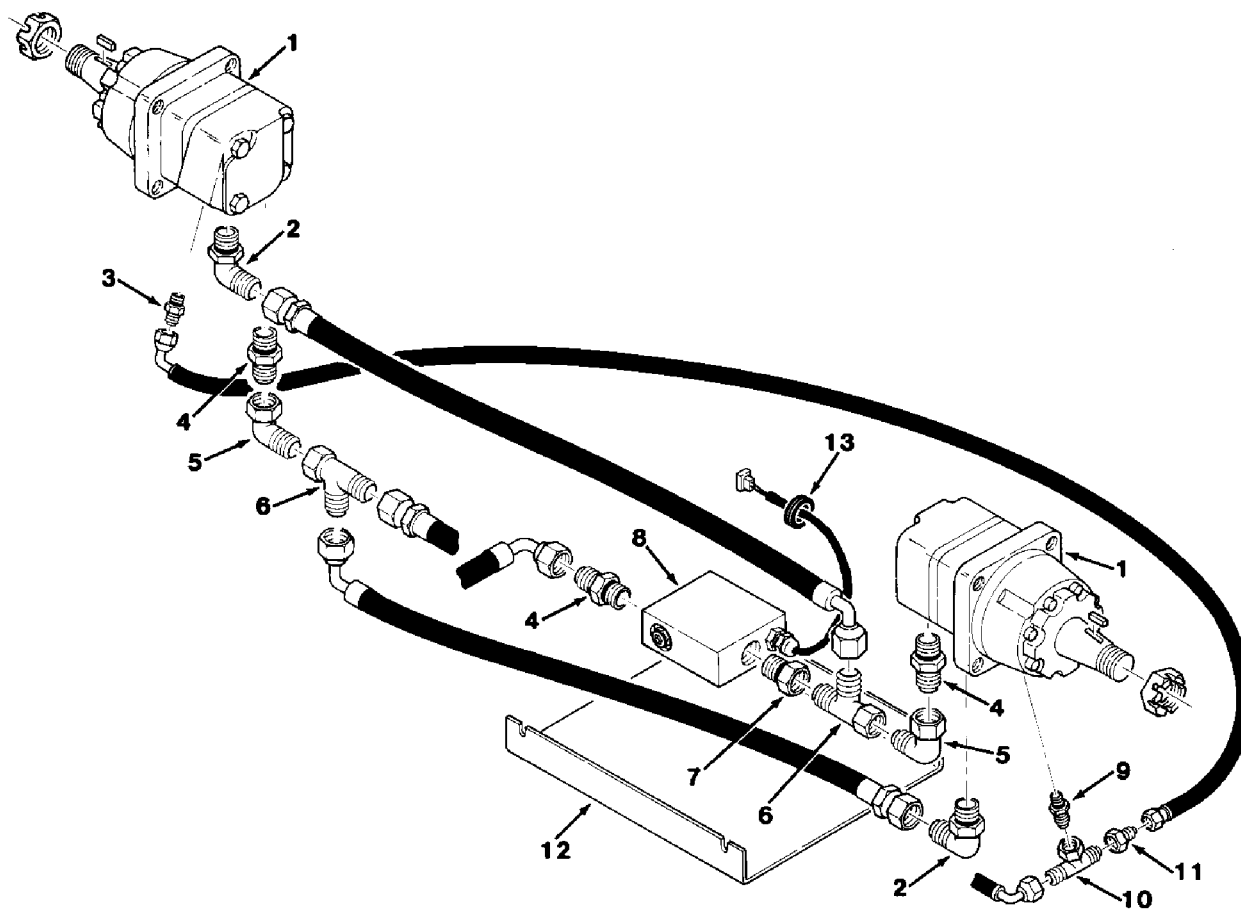


Fig. 71 - Hydraulic Hoses Group, Gas/LPG (001508-)

Ref.	Part No.	Serial Number	Description	Qty.
1	82832	(001508-) Sleeve, Nyl, 37 25.0l	2
2	65205	(001508-) Hose, Hyd,Low12, Jf12str /Jf12str , 27.0	3
3	31672	(001508-) Sleeve, Nyl, #58 35.0l	1
4	1016468	(001508-) Hose, Hyd, Med06, Jf06str /Jf06e90, 84.0	1
5	79106	(001508-) Hose, Hyd,Hi 12, Jf12str/Jf12e90, 30.0	1
6	1016471	(001508-) Hose, Hyd, Med06, Jf06str /Jf06str, 66.0	1
7	1016466	(001508-) Hose, Hyd, Med08, Jf08str /Jf08e90, 24.0	1
8	57964	(001508-) Hose, Hyd,Med04, Jf04str /Jf04e90 , 42.0	1
9	79104	(001508-) Hose, Hyd,Hi 12, Jf12str /Jf12e90 , 32.0	1
10	31600	(001508-) Hose, Hyd,Low04, Jf04str /Jf04e90 , 25.0	1
11	1016469	(001508-) Hose, Hyd, Tc 06, Jf06str /Jf06e90, 70.0	1
12	1016462	(001508-) Hose, Hyd, Med10, Jf10str /Jf10e90, 24.0	1
13	31603	(001508-) Hose, Hyd,Low06, Jf06str /Jf06e90 , 52.0	1
14	1016460	(001508-) Hose, Hyd, Med16, Jf16str /Jf16e90, 29.0	1
15	31597	(001508-) Hose, Hyd,Med06, Jf06str /Jf06e90 , 68.0	1
16	79105	(001508-) Hose, Hyd,Hi 12, Jf12str/Jf12e90, 26.0	2
17	79107	(001508-) Hose, Hyd,Hi 12, Jf12str /Jf12str , 40.0	1
18	1016484	(001508-) Hose, Hyd, Suc24, Jf24str /Jf24e90, 33.0	1
19	31565	(001508-) Hose, Hyd,Med06, Jf06str /Jf06e90l,115.0	2
20	31602	(001508-) Hose, Hyd,Low04, Jf04str /Jf04e90 , 30.0	1
21	1016459	(001508-) Hose, Hyd, Med16, Jf16str /Jf16str, 36.0	1
22	1016472	(001508-) Hose, Hyd, Med12, Jf12str /Jf12str, 48.0	1
23	31570	(001508-) Hose, Hyd,Med04, Jf04str /Jf04e45 ,165.0	2
24	375761	(001508-) Hose, Hyd, Str/Str, 68l	3
25	1016456	(001508-) Hose, Hyd, Med16, Jf16str/Jf16str, 54.0	1
26	71741	(001508-) Hose, Hyd,Tc 08, Jf08str /Jf08e90 , 46.0	1
27	1016464	(001508-) Hose, Hyd, Med08, Jf08str /Jf08e45, 64.0	1
28	1016465	(001508-) Hose, Hyd, Med06, Jf06str / Jf06e90,66.0	1
29	1016467	(001508-) Hose, Hyd, Med06, Jf06str / Jf06str,26.0	1
30	381856	(001508-) Hose, Hyd,Tc 08, Jf08str /Jf08e90 , 36.0	3
31	34380	(001508-) Hose, Hyd,Med04, Jf04str /Jf04str , 36.0	2
32	27774	(001508-) Fitting, Hyd, Str, Jm04/Jm04	2

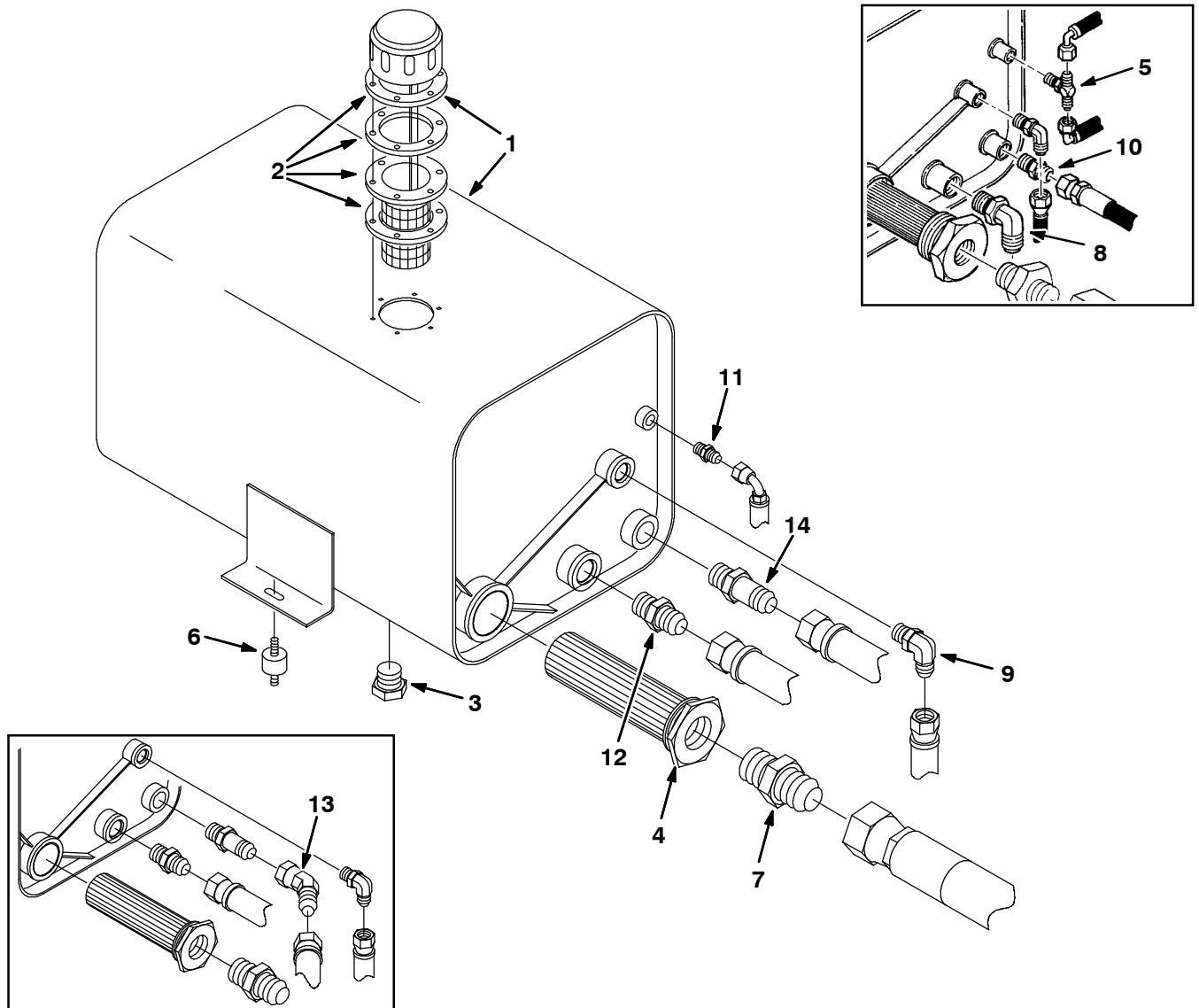
Fig. 72 - Hydraulic Propelling Motors Group



09875 - 1550

Ref.	Part No.	Serial Number	Description	Qty.
1	48663	(001000-001093)	Motor, Hydraulic (See Breakdowns) (Replaced by 378710)	2
1	74162	(001094-001162)	Motor, Hydraulic (See Breakdowns) (Replaced by 378710)	2
1	22604	(001163-	Motor, Hydraulic (See Breakdowns)	1
2	46481	(001000-	Fitting, Elbow	2
3	55586	(001000-	Fitting, Straight	1
4	42260	(001000-	Fitting, Straight	3
5	35033	(001000-	Fitting, Elbow	2
6	40514	(001000-	Fitting, Tee	2
7	67832	(001000-	Fitting, Straight	1
8	31556	(001000-	Switch, Flow (See Breakdowns)	1
9	50960	(001000-	Fitting, Straight	1
10	35586	(001000-	Fitting, Tee	1
11	47752	(001000-	Fitting, Straight	1
12	02543	(001000-	Guard, Flow Switch	1
13	10632-1	(001000-	Grommet	1

Fig. 73 - Hydraulic Reservoir Group (001000-001505)

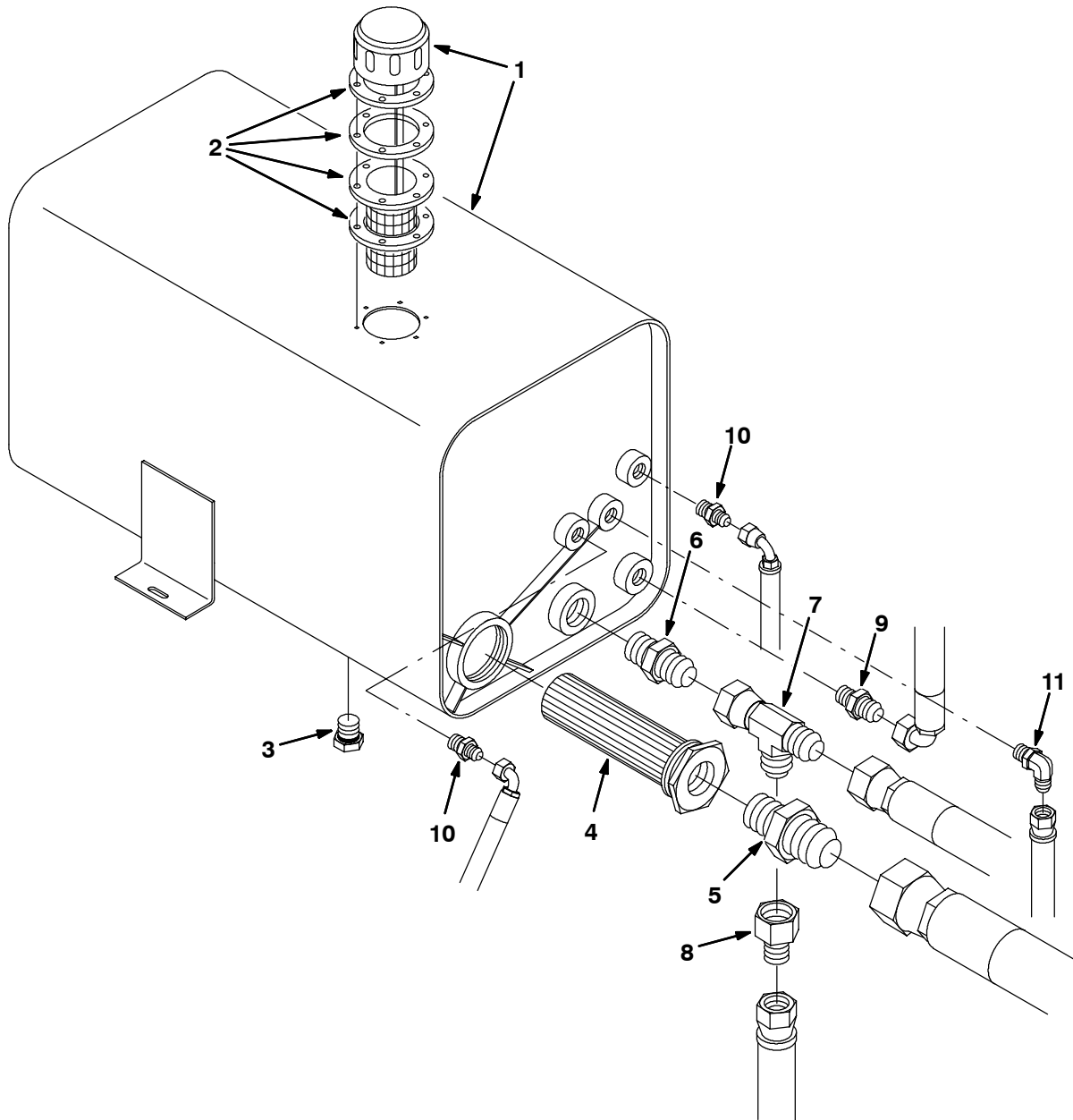


09876 - 1550

Ref.	Part No.	Serial Number	Description	Qty.
▽ 1	31557	(001000-001505)	Reservoir Assembly, Hydraulic	1
▲ 2	31559	(001000-001505)	Breather, Filler	1
▲ 3	40362	(001000-001505)	Fitting, Plug	1
4	31613	(001000-001505)	Strainer, Suction	1
5	31599	(001000-001103)	Fitting, Tee	1
6	82661	(001000-001505)	Isolator, Vibration	4
7	58858	(001000-001505)	Fitting, Straight	1
8	46481	(001000-001103)	Fitting, Elbow	1
9	56820	(001000-001505)	Fitting, Elbow	1
10	44869	(001000-001103)	Fitting, Straight	1
11	55586	(001104-001505)	Fitting, Straight	1
12	42260	(001104-001505)	Fitting, Straight	1
13	07934	(001104-001109)	Fitting, Elbow, 45°	1
14	62390	(001104-001505)	Fitting, Straight	1

STANDARD PARTS

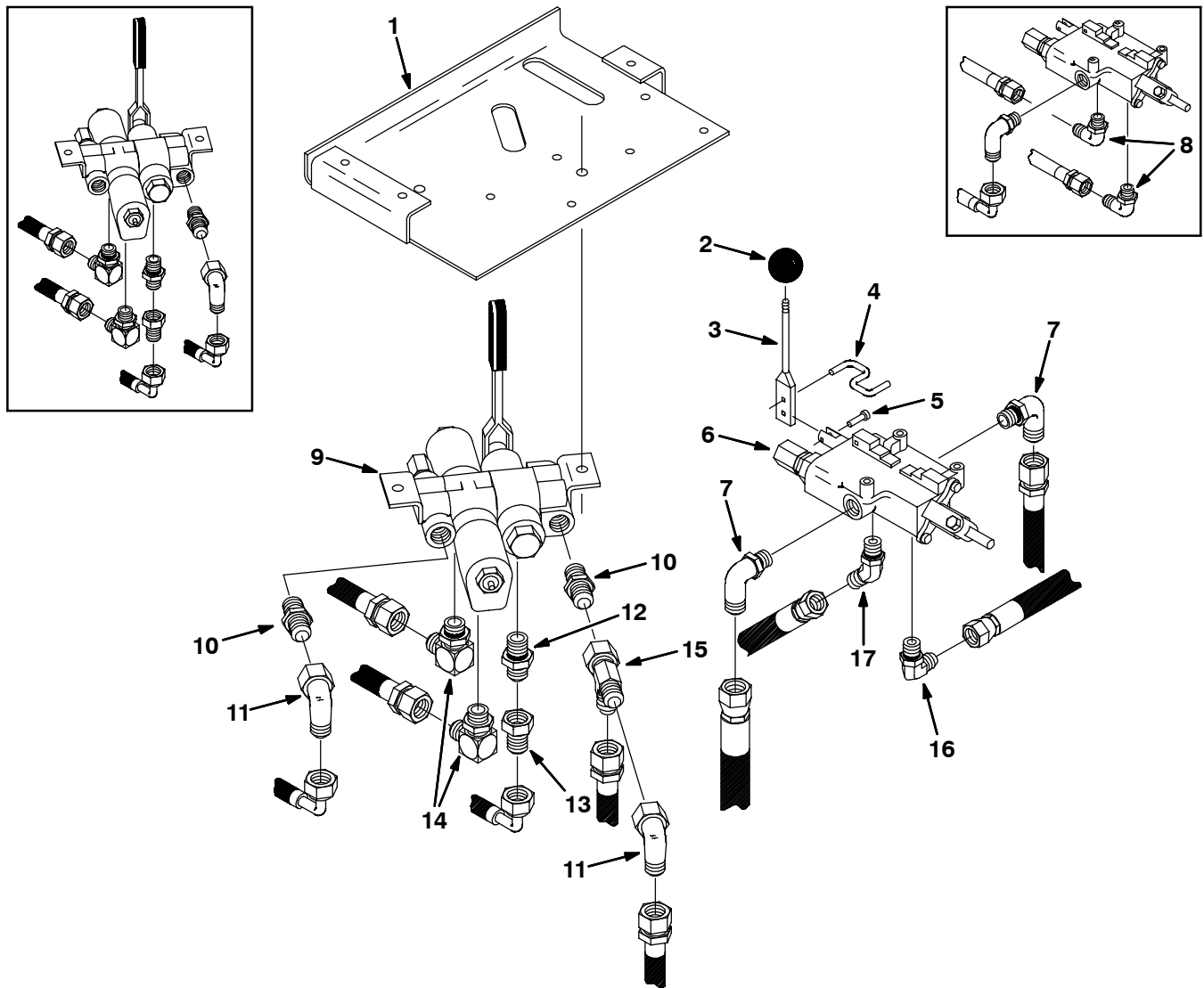
Fig. 74 - Hydraulic Reservoir Group Gas/LPG (001508-)



354303 - 550, 1550, G, LP, Impco

Ref.	Part No.	Serial Number	Description	Qty.
▽	1	1015313	(001508-) Reservoir Assy, 18.3 Gal	1
▲	2	31559	(001508-) Cap, Breather, Hyd, W/ Basket, 5.3 Ds	1
▲	3	40362	(001508-) Fitting, Hyd, Plug, Om10	1
	4	31613	(001508-) Strainer, Hyd, 25gpm 100mesh Psi	1
	5	1016771	(001508-) Fitting, Hyd, Str, Jm24/Om20	1
	6	52929	(001508-) Fitting, Hyd, Str, Jm16/Om16	1
	7	73113	(001508-) Fitting, Hyd, Tee, Jf16/Jm16/Jm16, Run	1
	8	35002	(001508-) Fitting, Hyd, Str, Jf16/Jm12	1
	9	47518	(001508-) Fitting, Hyd, Str, Jm10/Om08	1
	10	55685	(001508-) Fitting, Hyd, Str, Jm04/Om06	2
	11	56820	(001508-) Fitting, Hyd, E90, Jm06/Om06	1

Fig. 75 - Hydraulic Control Valves Group (001000-001505)



02371 - 550, 1550

Ref.	Part No.	Serial Number	Description	Qty.
1	31632	(001000-001505)	Bracket, Control Valves	1
2	26565	(001000-001505)	Knob	1
3	62234	(001000-001505)	Rod and Link	1
4	32759	(001000-001505)	Link, Hook	1
5	14605	(001000-001505)	Pin, Clevis	1
6	32761	(001000-001505)	Valve, Hydraulic (See Breakdowns)	1
7	47498	(001000-001505)	Fitting, Elbow	2
8	44868	(001000-001103)	Fitting, Elbow	2
9	31575	(001000-001505)	Valve, Hydraulic (See Breakdowns)	1
10	56690	(001000-001505)	Fitting, Straight	2
11	47504	(001000-001505)	Fitting, Elbow	2
12	55685	(001000-001505)	Fitting, Straight	1
13	16456	(001000-001505)	Fitting, Restrictor	1
14	47638	(001000-001505)	Fitting, Elbow	2
15	42215	(001104-001505)	Fitting, Tee	1
16	56827	(001104-001505)	Fitting, Elbow	1
17	77099	(001104-001505)	Fitting, Elbow, 45°	1

Fig. 76 - Hydraulic Control Valves Group, Gas/LPG (001508-)

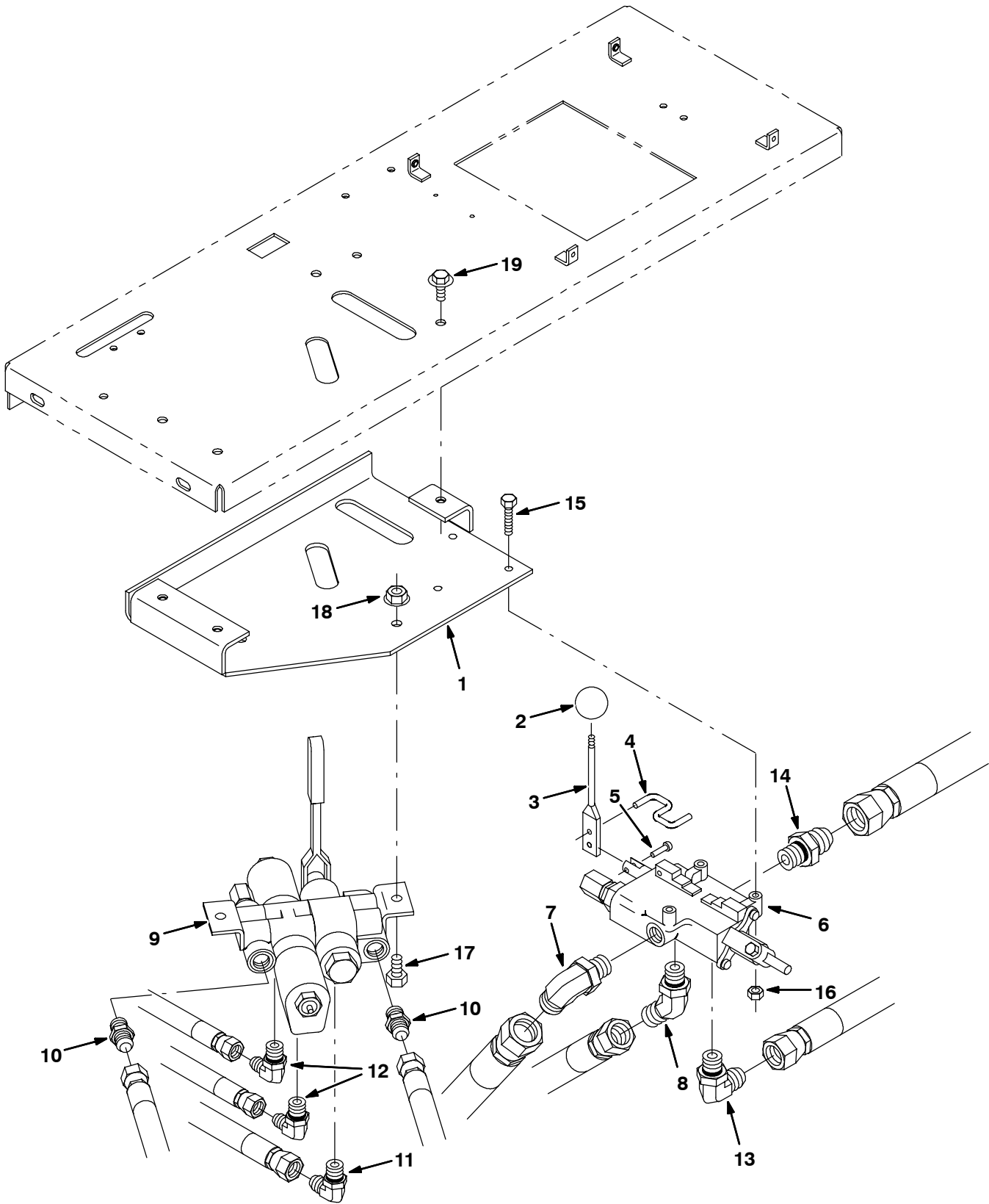
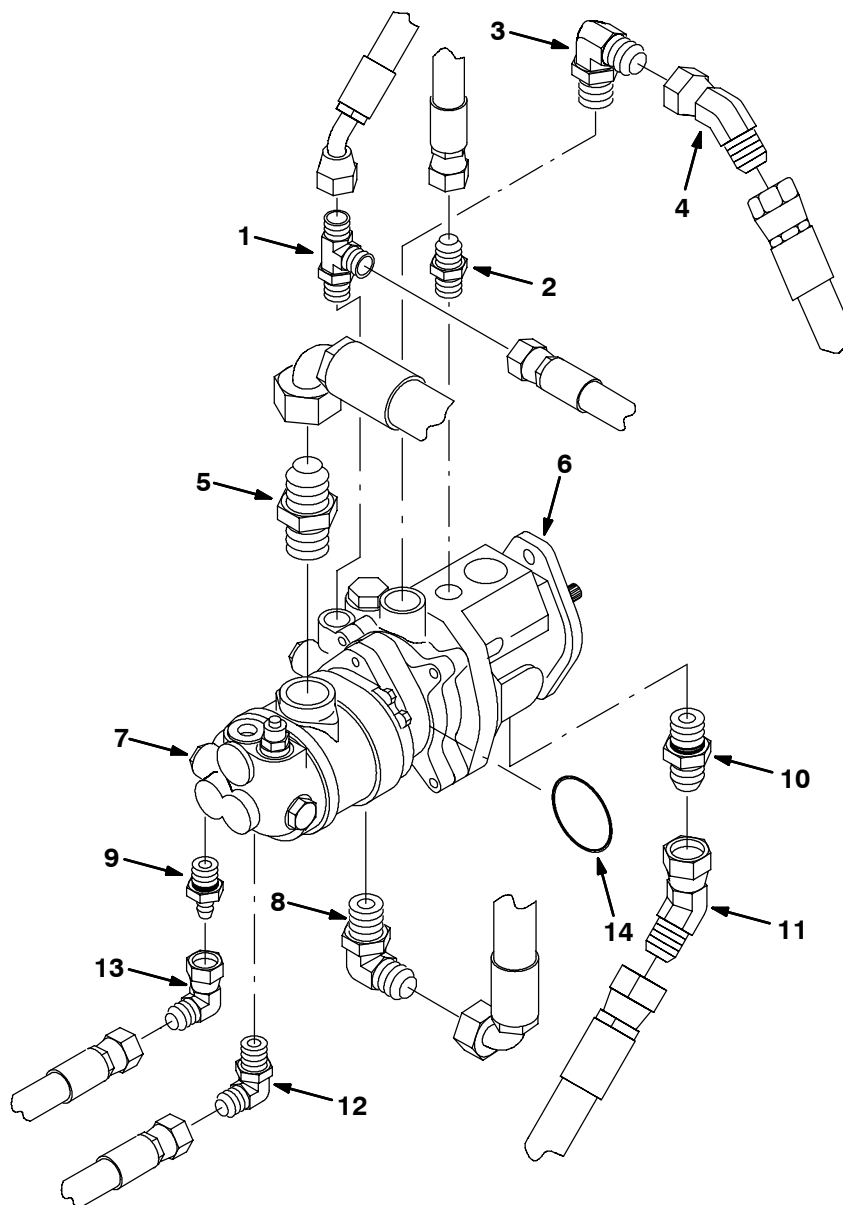


Fig. 76 - Hydraulic Control Valves Group, Gas/LPG (001508-)

Ref.	Part No.	Serial Number	Description	Qty.
1	1016010	(001508-) Bracket Wldt, Mtg, Valve	1
2	26565	(001508-) Knob, Ball, 1.25d 0.38-16 Plstc	1
3	62234	(001508-) Handle, Valve, Cntrl	1
4	32759	(001508-) Link, Hook	1
5	14605	(001508-) Pin, Clevis, 0.25 D X 0.75l	1
6	32761	(001508-) Valve, Hyd, Man, 1sp 20gpm 2400psi (See Breakdowns)	1
7	47498	(001508-) Fitting, Hyd, E90, Jm12/Om10	1
8	77099	(001508-) Fitting, Hyd, E45, Jm10/Om08	1
9	31575	(001508-) Valve, Hyd, Man/Sol, 12vdc 05gpm 1200psi (See Breakdowns)	1
10	56690	(001508-) Fitting, Hyd, Str, Jm06/Om06	2
11	56820	(001508-) Fitting, Hyd, E90, Jm06/Om06	1
12	47638	(001508-) Fitting, Hyd, E90, Jm04/Om06	2
13	56827	(001508-) Fitting, Hyd, E90, Jm10/Om08	1
14	06750	(001508-) Fitting, Hyd, Str, Jm12/Om10	1
15	25048	(001508-) Screw, Hex, .25-20 X 1.50, 5	3
16	32981	(001508-) Nut, Hex, Lock, .25-20, NI	3
17	21195	(001508-) Screw, Hex, .38-16 X 0.75, 5	2
18	27980	(001508-) Nut, Hex, Flng, .38-16	2
19	16953	(001508-) Screw, Hex, .31-18 X 0.75, Sems	3

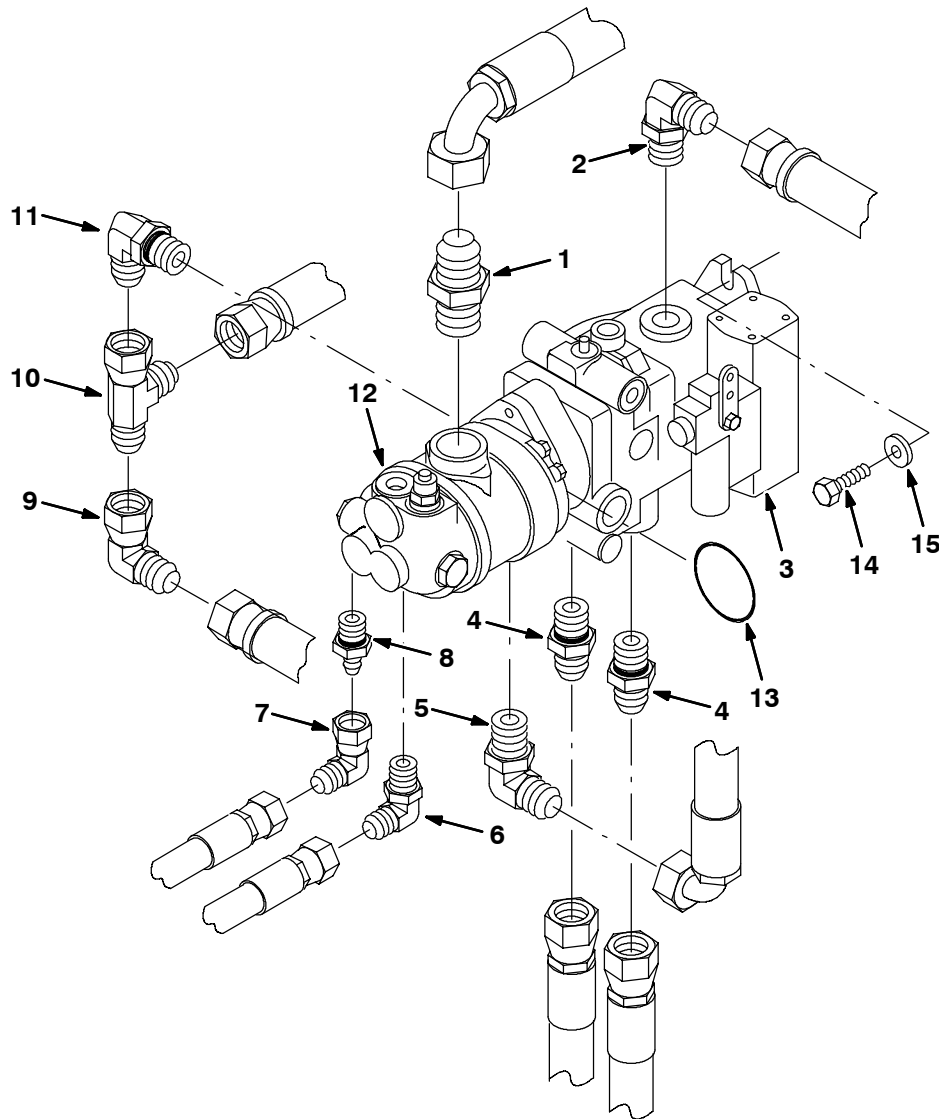
Fig. 77 - Hydraulic Pumps Group (001000-001103)



06019 - 550, 1550

Ref.	Part No.	Serial Number	Description	Qty.
1	40755	(001000-001103)	Fitting, Tee	1
2	55685	(001000-001103)	Fitting, Straight	1
3	46481	(001000-001103)	Fitting, Elbow	1
4	07934	(001000-001103)	Fitting, Elbow, 45°	1
5	58858	(001000-001103)	Fitting, Straight	1
6	34310	(001000-001103)	Pump, Hydrualic (See Breakdowns) (Replaced by 397689)	1
7	48880	(001000-001103)	Pump, Hydrualic (See Breakdowns)	1
8	47498	(001000-001103)	Fitting, Elbow	1
9	47508	(001000-001103)	Fitting, Straight	1
10	42260	(001000-001103)	Fitting, Straight	1
11	07934	(001000-001103)	Fitting, Elbow, 45°	1
12	47512	(001000-001103)	Fitting, Elbow	1
13	47504	(001000-001103)	Fitting, Elbow	1
14	65145-1	(001000-001103)	Seal, O-Ring	1

Fig. 78 - Hydraulic Pumps Group (001104-001505)

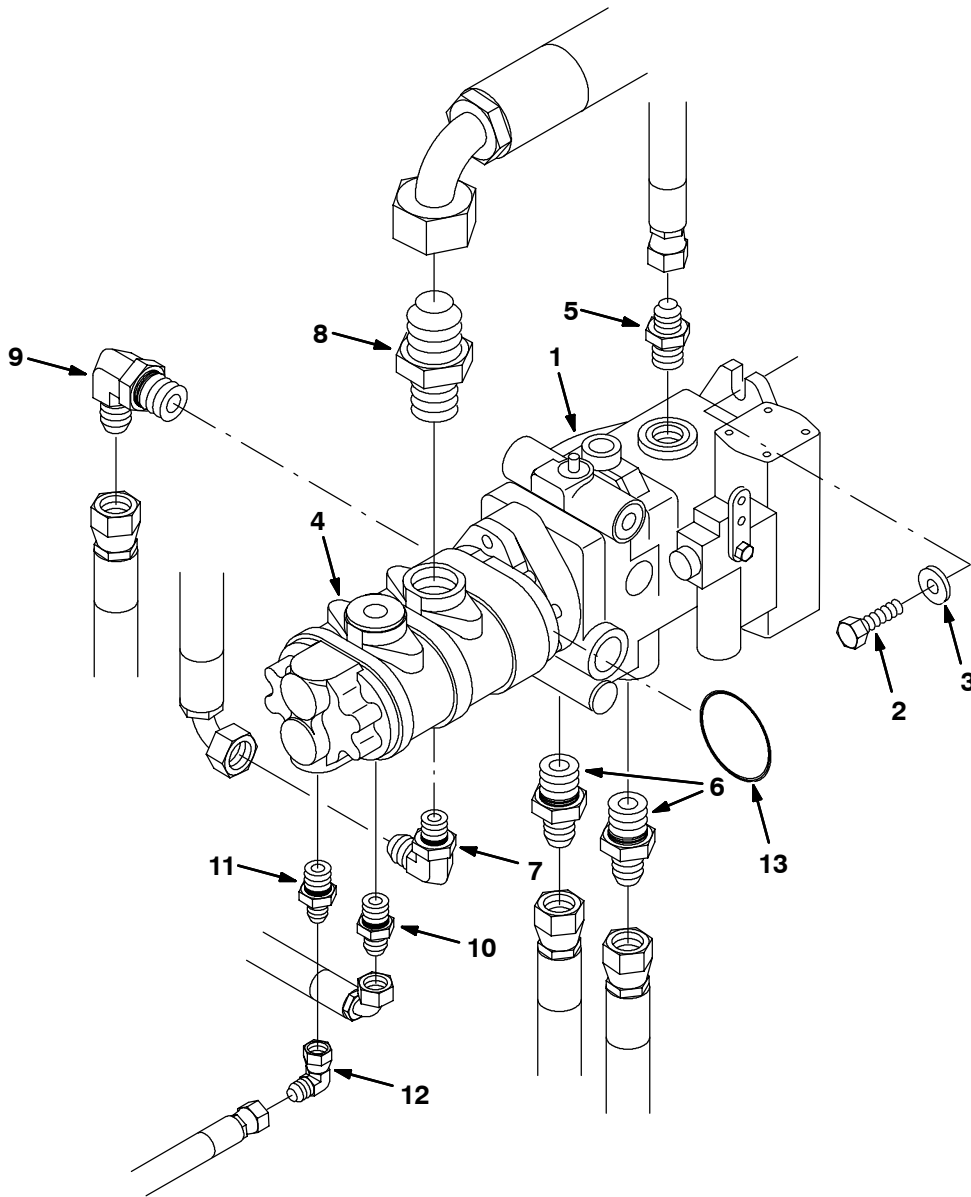


10144 - 550, 1550

Ref.	Part No.	Serial Number	Description	Qty.
1	58858	(001104-001505)	Fitting, Straight	1
2	46481	(001104-001505)	Fitting, Elbow	1
3	74163	(001104-001369)	Pump, Hydrualic (See Breakdowns)	1
3	373404	(001370-001505)	Pump, Hydrualic (See Breakdowns)	1
4	67310	(001104-001505)	Fitting, Straight	2
5	47498	(001104-001505)	Fitting, Elbow	1
6	47512	(001104-001505)	Fitting, Elbow	1
7	47504	(001104-001505)	Fitting, Elbow	1
8	47508	(001104-001505)	Fitting, Elbow	1
9	35033	(001104-001505)	Fitting, Elbow	1
10	40514	(001104-001505)	Fitting, Tee	1
11	52911	(001104-001505)	Fitting, Elbow	1
12	79078	(001104-001423)	Pump, Hydrualic (See Breakdowns) (Replaced by 373245)	1
12	373245	(001424-001505)	Pump, Hydrualic (See Breakdowns)	1
13	65145-1	(001104-001505)	Seal, O-Ring	1
14	68768	(001104-001505)	Screw, Hex, .50-20 X 1.25, NI	2
15	32486	(001104-001505)	Washer, Flat, 0.50 Sae	2

STANDARD PARTS

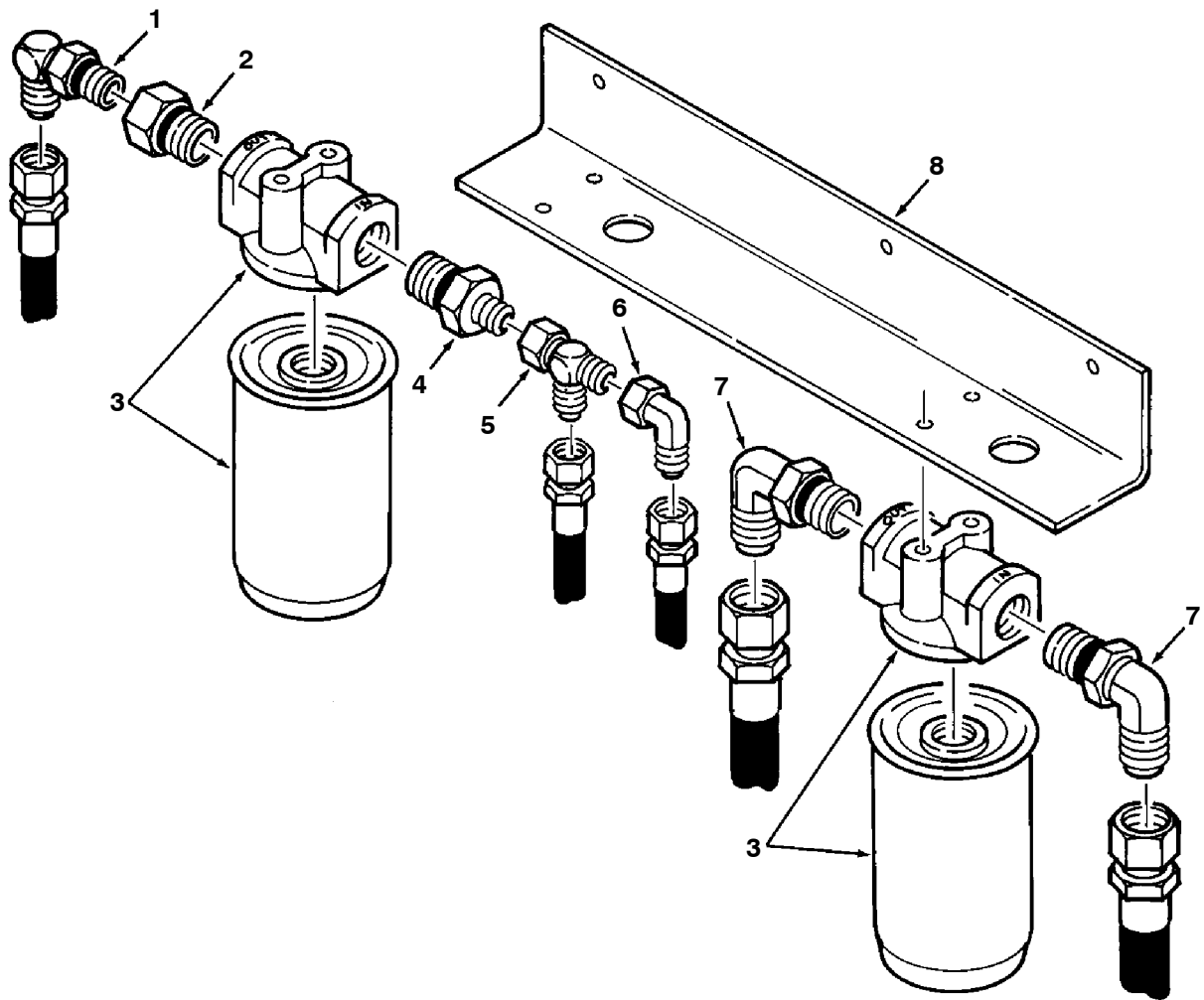
Fig. 79 - Hydraulic Pumps Group, Gas/LPG (001508-)



10144 - 550, 1550, G, LP, Impco

Ref.	Part No.	Serial Number	Description	Qty.
1	373404	(001508-)	Pump, Hyd, Piston [V] 2.48 [R] 4500 (See Breakdowns)	1
2	68768	(001508-)	Screw, Hex, .50-20 X 1.25, NI	2
3	32486	(001508-)	Washer, Flat, 0.50 Sae	2
4	1014956	(001508-)	Pump, Hyd, Gear, [Ex3] 1.69 [R] 3000 (See Breakdowns)	1
5	42223	(001508-)	Fitting, Hyd, Str, Jm10/Om12	1
6	67310	(001508-)	Fitting, Hyd, Str, Jm12/Om16	2
7	47498	(001508-)	Fitting, Hyd, E90, Jm12/Om10	1
8	1016771	(001508-)	Fitting, Hyd, Str, Jm24/Om20	1
9	52911	(001508-)	Fitting, Hyd, E90, Jm12/Om16	1
10	56692	(001508-)	Fitting, Hyd, Str, Jm08/Om10	1
11	47508	(001508-)	Fitting, Hyd, Str, Jm06/Om10	1
12	47504	(001508-)	Fitting, Hyd, E90, Jf06/Jm06	1
13	65145-1	(001508-)	Seal, O-Ring, .069 X 03.06id	1

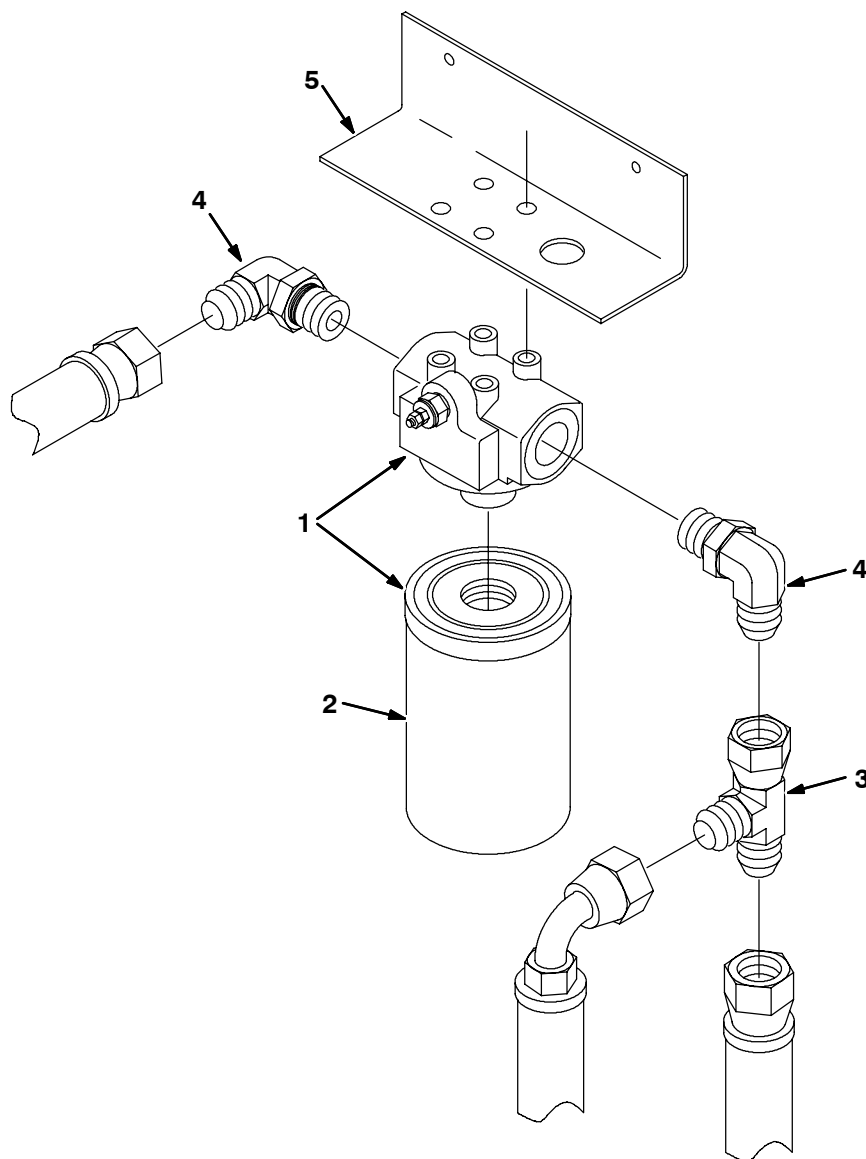
Fig. 80 - Hydraulic Filters Group (001000-001103)



02382 - 550, 1550

Ref.	Part No.	Serial Number	Description	Qty.	
1	44868	(001000-001103)	Fitting, Elbow	1	
2	47519	(001000-001103)	Fitting, Straight	1	
▽	3	55619	(001000-001103)	Filter Assembly, Hydraulic	2
▲		55740	(001000-001103)	Element, Filter	1
4	31572	(001000-001103)	Fitting, Straight	1	
5	42215	(001000-001103)	Fitting, Tee	1	
6	47504	(001000-001103)	Fitting, Elbow	1	
7	46481	(001000-001103)	Fitting, Elbow	2	
8	31593	(001000-001103)	Bracket, Filters Mounting	1	

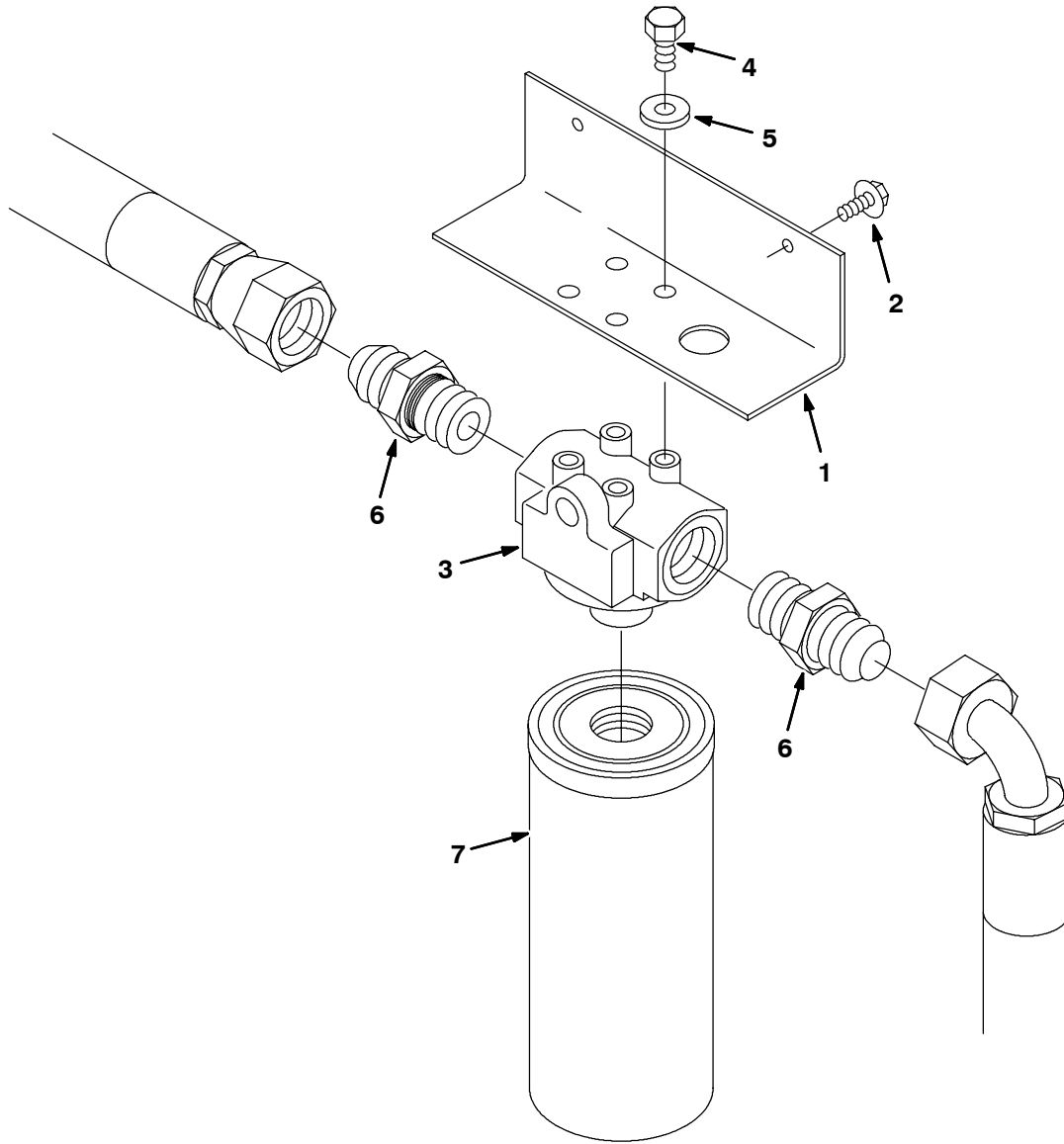
Fig. 81 - Hydraulic Filter Group (001104-001505)



10149 - 550, 1550

Ref.	Part No.	Serial Number	Description	Qty.
▽	1	10664	(001104-001505) Filter Assembly, Hydraulic	1
▲	2	65221	(001104-001505) Element, Filter	1
	3	40514	(001104-001505) Fitting, Tee	1
	4	46481	(001104-001505) Fitting, Elbow	2
	5	79075	(001104-001505) Bracket, Filters Mounting	1

Fig. 82 - Hydraulic Filter Group, Gas/LPG (001508-)



10149 - 550, 1550, G, LP, Impco

Ref.	Part No.	Serial Number	Description	Qty.
1	79075	(001508-)	Bracket, Mtg, Fltr, Oil, Hyd	1
2	87783	(001508-)	Screw, Hex, .25-20 X 0.62, Fmg	2
3	1015018	(001508-)	Head Assy, Fltr, Hyd	1
4	21195	(001508-)	Screw, Hex, .38-16 X 0.75, 5	4
5	41187	(001508-)	Washer, Belleville, .38	4
6	52929	(001508-)	Fitting, Hyd, Str, Jm16/Om16	2
7	1015933	(001508-)	Element, Fltr, Oil, Spin-on [Dn]	1

STANDARD PARTS

Fig. 83 - Hydraulic Solenoid Valve and Manifold Group, Gas/LPG (001508-)

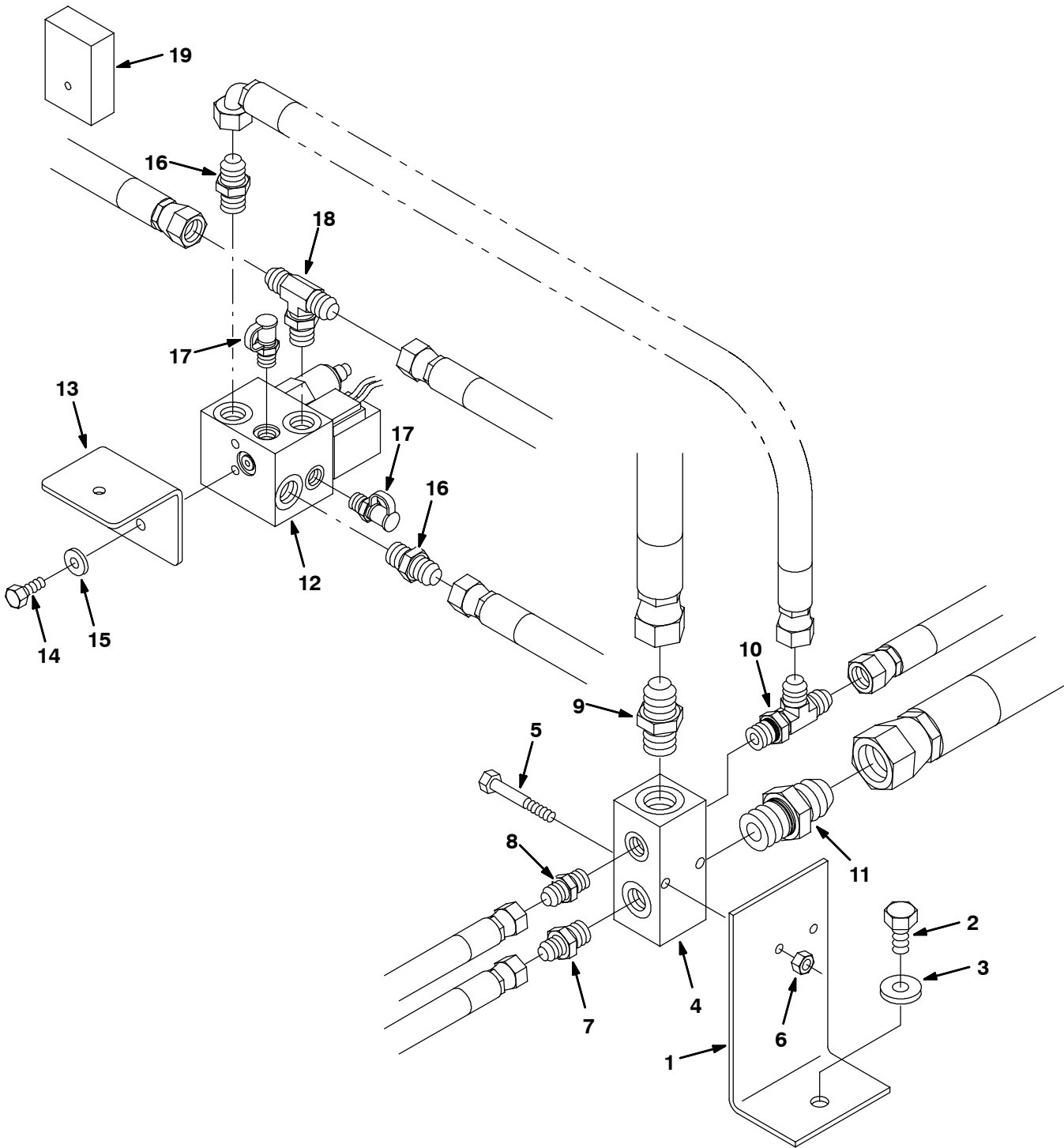
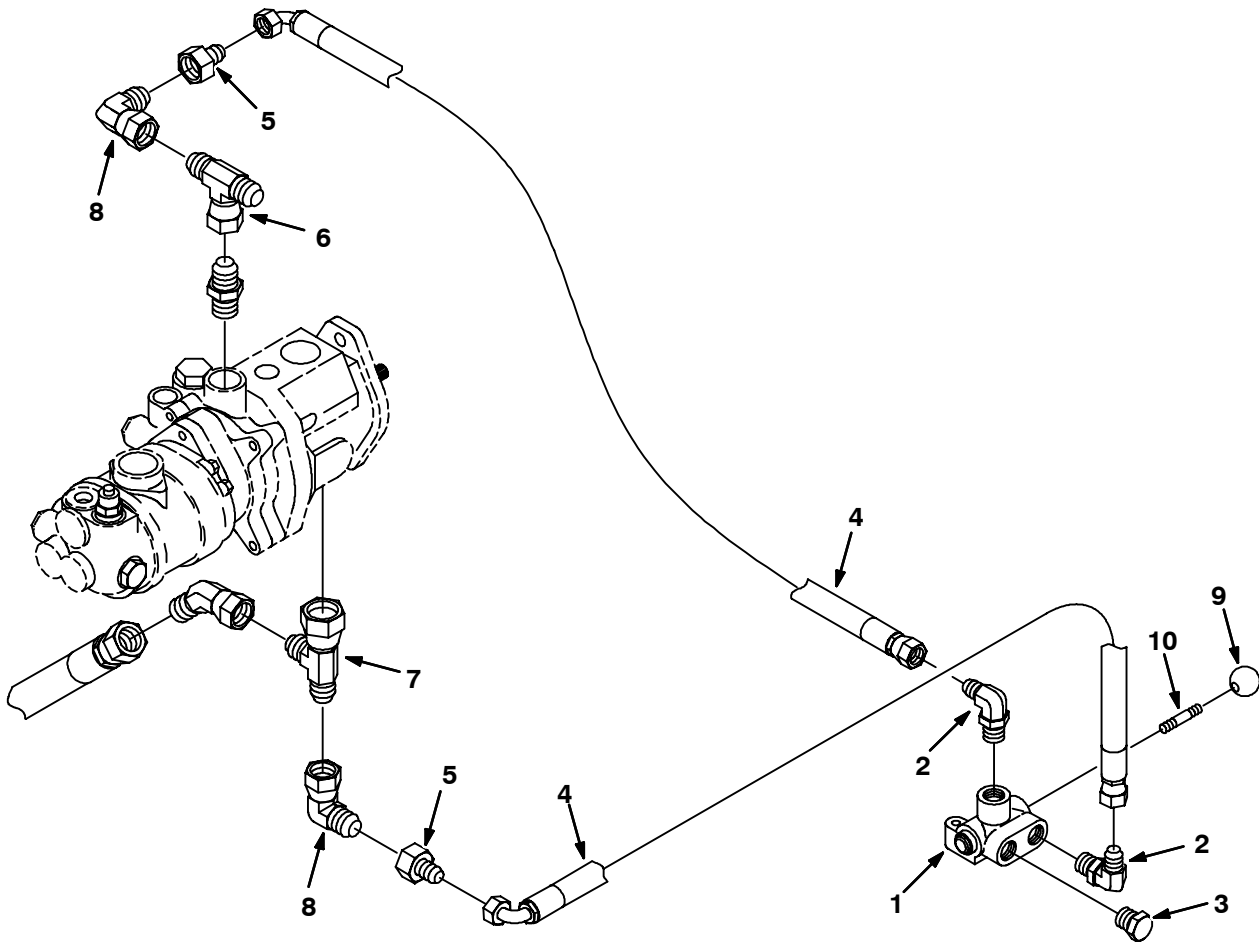


Fig. 83 - Hydraulic Solenoid Valve and Manifold Group, Gas/LPG (001508-)

Ref.	Part No.	Serial Number	Description	Qty.
1	1015307	(001508-) Bracket, Mtg, Manifold	1
2	39807	(001508-) Screw, Hex, .50-13 X 0.75, 5	1
3	36328	(001508-) Washer, Belleville, .50	1
4	73108	(001508-) Manifold, Hyd, Collector	1
5	19572	(001508-) Screw, Hex, .31-18 X 2.50, 5	2
6	32983	(001508-) Nut, Hex, Lock, .31-18, NI	2
7	52402	(001508-) Fitting, Hyd, Str, Jm06/Om08	1
8	56690	(001508-) Fitting, Hyd, Str, Jm06/Om06	1
9	42260	(001508-) Fitting, Hyd, Str, Jm12/Om12	1
10	40755	(001508-) Fitting, Hyd, Tee, Jm08/Jm08/Om08, Run	1
11	52929	(001508-) Fitting, Hyd, Str, Jm16/Om16	1
12	1020194	(001508-001537) Valve, Hyd, Solenoid [01S15G3100] (See Breakdowns)	1
12	1042535	(001538-) Valve, Cntrl, Hyd, Solenoid, 12vdc 15gpm (See Breakdowns)	1
13	1015991	(001508-) Bracket, Mtg, Valve	1
14	54396	(001508-) Screw, Hex, .31-18 X 0.75, 5	2
15	39349	(001508-) Washer, Flat, 0.31 Sae	2
16	44869	(001508-) Fitting, Hyd, Str, Jm08/Om08	2
17	395973	(001508-) Fitting, Hyd, Str, Om04/Qm04	2
18	49933	(001508-) Fitting, Hyd, Tee, Jm08/Jm08/Om08, Br	1
19	1016408	(001508-) Timer, 12vdc, 15s	1

STANDARD PARTS

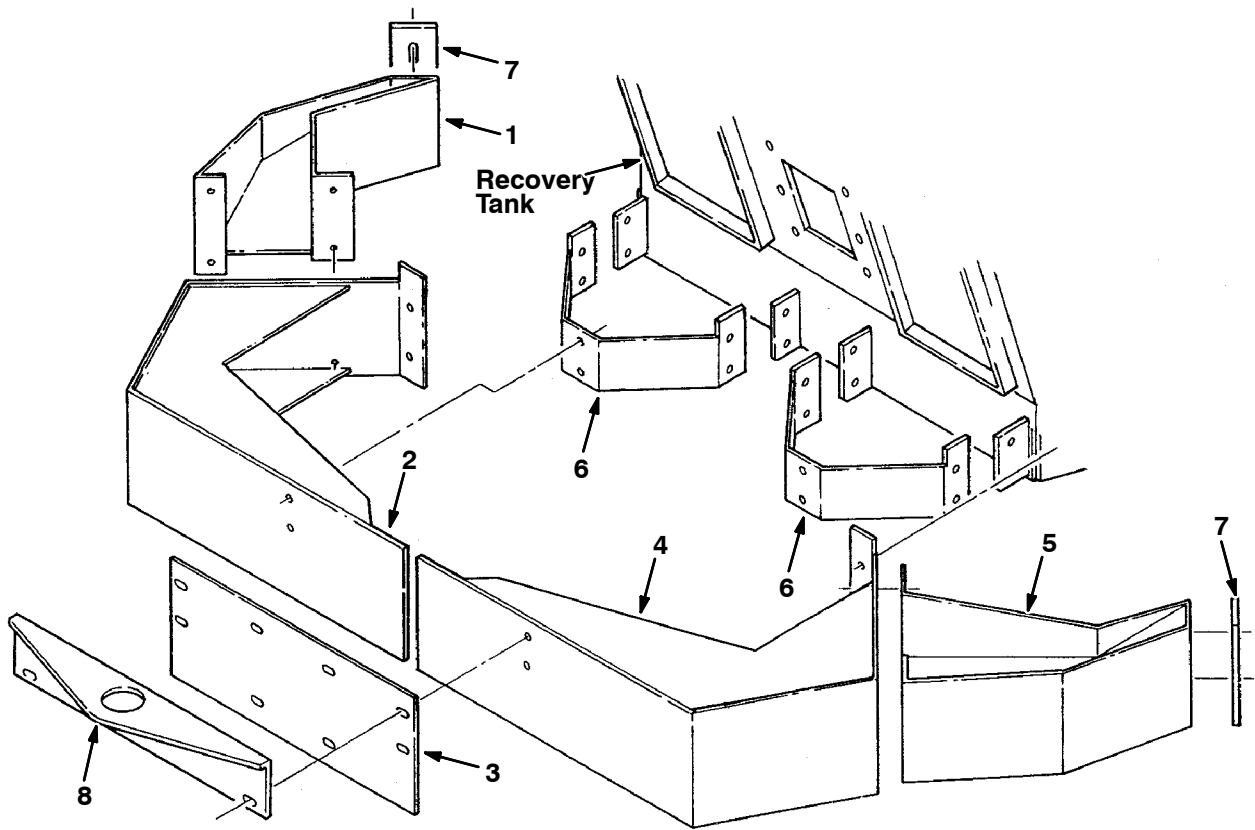
Fig. 84 - Hydraulic Tow Bypass Group (001061-001103)



09752 - 550, 1550

Ref.	Part No.	Serial Number	Description	Qty.
1	48108A	(001061-001103)	Valve, Hydraulic (See Breakdowns)	1
2	56821	(001061-001103)	Fitting, Elbow	2
3	40362	(001061-001103)	Fitting, Plug	1
4	57196	(001061-001103)	Hose, Hydraulic	2
5	78143	(001061-001103)	Fitting, Straight	2
6	62389	(001061-001103)	Fitting, Tee	1
7	40514	(001061-001103)	Fitting, Tee	1
8	35033	(001061-001103)	Fitting, Elbow	2
9	26565	(001061-001103)	Knob	1
10	36829	(001061-001103)	Stud	1

Fig. 85 - Rear Bumper Group



06949 - 1550

Ref.	Part No.	Serial Number	Description	Qty.
1	78673	(001000-) Guard, L.H.	1
2	61259	(001000-) Bumper, Rear, L.H., 1550	1
3	75132	(001000-) Plate, Bumper	1
4	61260	(001000-) Bumper, Rear, R.H., 1550	1
5	78670	(001000-) Guard, R.H.	1
6	61261	(001000-) Bracket, Mounting, 1550	2
7	75190	(001000-) Guard, Squeegee	2
8	32117	(001061-) Bracket, Tow Bypass	1

Fig. 86 - Vacuum Fan Assembly, Gas/LPG (001000-001505)

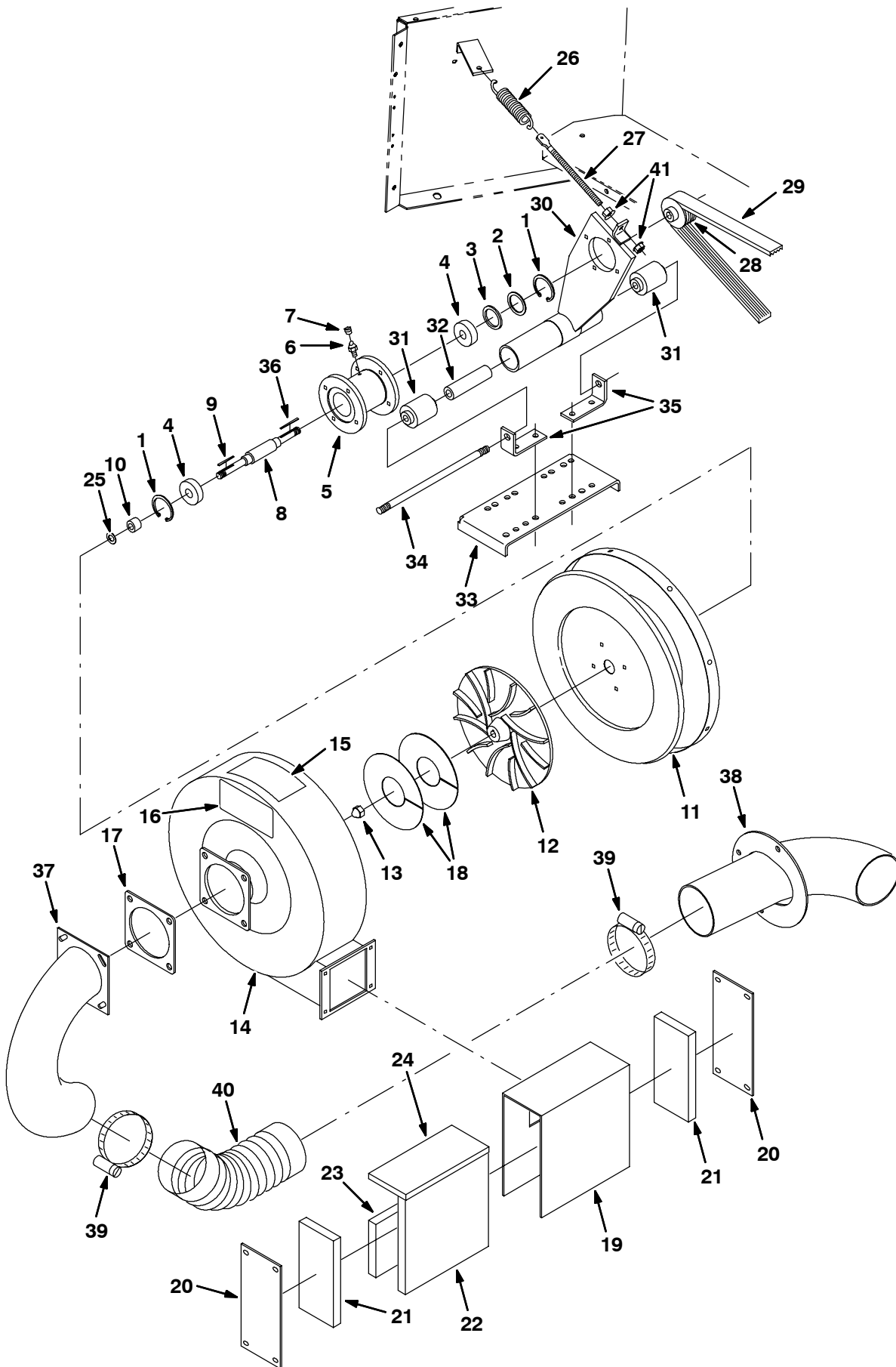


Fig. 86 - Vacuum Fan Assembly, Gas/LPG (001000-001505)

Ref.	Part No.	Serial Number	Description	Qty.
▽	61701	(001000-001505)	Fan Assembly, Vacuum	1
▲	1 10464	(001000-001505)	Ring, Retaining	2
▲	2 75454	(001000-001505)	Shim	1
▲	3 42809	(001000-001505)	Washer, Wavy	1
▲	4 40496	(001000-001505)	Bearing, Ball	2
▲	5 16400	(001000-001505)	Housing, Bearing	1
▲	6 47801	(001000-001505)	Fitting, Grease	1
▲	7 40390	(001000-001505)	Cover, Grease	1
▲	8 375613	(001000-001505)	Shaft, Fan	1
▲	9 00966	(001000-001505)	Key, Square	1
▲	10 75461	(001000-001505)	Sleeve	1
▲	11 58107	(001000-001505)	Housing, Rear	1
▲	12 03922	(001000-001505)	Impeller	1
▲	13 41130	(001000-001505)	Nut, Low Crown	1
▲▽	25383	(001000-001505)	Housing Assembly, Front	1
▲▲	14 25189	(001000-001505)	Housing, Front	1
▲▲	15 41007	(001000-001505)	Label, Lubricating Instructions	1
▲▲	16 40052	(001000-001505)	Label, Danger, Fan Suction	1
▲▲	17 25216	(001000-001505)	Gasket, Fan	1
▲	18 58114	(001000-001505)	Repair Kit, Fan Assembly	1
▲▽	09314	(001000-001505)	Muffler Assembly	1
▲▲	19 25207	(001000-001505)	Frame, Muffler	1
▲▲	20 391854	(001000-001505)	Plate, Side	2
▲▲	21 25373	(001000-001505)	Foam, Acoustic	2
▲▲	22 25359	(001000-001505)	Foam, Acoustic	1
▲▲	23 25364	(001000-001505)	Foam, Acoustic	1
▲▲	24 25365	(001000-001505)	Foam, Acoustic	1
▲	25 75456	(001000-001505)	Shim, 0.003 in (0.07 mm)	1
▲	75456-1	(001000-001505)	Shim, 0.005 in (0.12 mm)	1
▲	75456-2	(001000-001505)	Shim, 0.010 in (0.25 mm)	2
▲	75456-3	(001000-001505)	Shim, 0.020 in (0.50 mm)	2
▲	75456-4	(001000-001505)	Shim, 0.060 in (1.52 mm)	2
	26 50864	(001000-001505)	Spring, Tension	1
	27 42331-1	(001000-001505)	Bolt, Eye	1
	28 375614	(001000-001505)	Sheave, Fan	1
	29 391844	(001000-001505)	V-Belt	1
▽	25640	(001000-001505)	Bracket Mounting Assembly, Fan	1
▲	30 25632	(001000-001505)	Bracket, Mounting	1
▲	31 25384	(001000-001505)	Bearing	2
▲	32 25636	(001000-001505)	Spacer	1
	33 378967	(001000-001505)	Mount, Fan	1
	34 25637	(001000-001505)	Rod, Threaded	1
	35 25639	(001000-001505)	Bracket, Angle	2
	36 00911	(001000-001505)	Key, Square	1
	37 25212	(001000-001505)	Tube, Intake	1
	38 09311	(001000-001505)	Tube, Inlet	1
	39 23498	(001000-001505)	Clamp, Wormdrive	2
	40 40870-2	(001000-001505)	Hose Assembly	1
	41 27980	(001000-001505)	Nut, Hex, Fling, .38-16	2

Fig. 87 - Vacuum Fan Group, Gas/LPG (001508-)

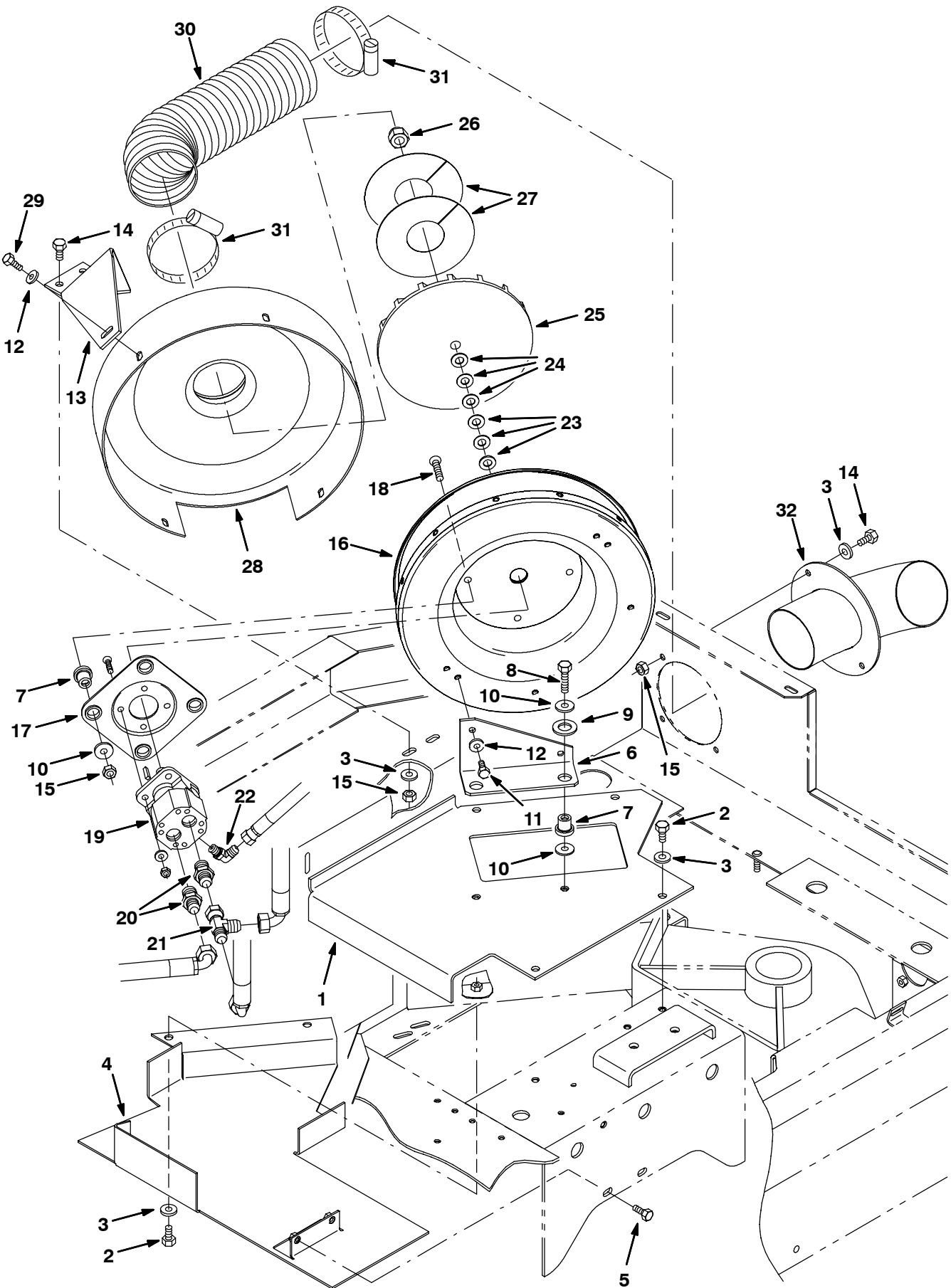


Fig. 87 - Vacuum Fan Group, Gas/LPG (001508-)

Ref.	Part No.	Serial Number	Description	Qty.
1	1015034	(001508-) Plate, Exhaust, Vac Fan	1
2	02994	(001508-) Screw, Hex, .38-16 X 0.75, Ss	6
3	32492	(001508-) Washer, Flat, 0.38 Std	11
4	1015035	(001508-) Plate, Shield, Heat	1
5	54396	(001508-) Screw, Hex, .31-18 X 0.75, 5	2
6	1015467	(001508-) Bracket, Mtg, Vac Fan	1
7	54274	(001508-) Isolator, Vib, Bshg, 1.1d 0.6l .4b 0.78h	6
8	36845	(001508-) Screw, Hex, .38-16 X 1.50, Ss	2
9	39350	(001508-) Washer, Flat, 0.75 Sae	2
10	13248	(001508-) Washer, Flat, 0.40b 1.12d .12, Stl, Pl	8
11	15675	(001508-) Screw, Hex, M8 X 1.25 X 16, Ss	2
12	41186	(001508-) Washer, Belleville, .31	8
13	1015473	(001508-) Bracket, Mtg, Vac Fan	1
14	21195	(001508-) Screw, Hex, .38-16 X 0.75, 5	5
15	50902	(001508-) Nut, Hex, Lock, .38-16, NI	9
16	73270	(001508-) Housing Wldt, Vacfan, Rear, 9.0impeller	1
17	54275A	(001508-) Bracket, Mtg, Motor	1
18	54861	(001508-) Screw, Flt, .38-16 X 1.50, Al	4
19	1023322	(001508-) Motor, Hyd, Gear, Ex 0.13 L 3000 (See Breakdowns)	1
20	56692	(001508-) Fitting, Hyd, Str, Jm08/Om10	2
21	45482	(001508-) Fitting, Hyd, Tee, Jf08/Jm08/Jm08, Run	1
22	77097	(001508-) Fitting, Hyd, E90, Jm04/Om04	1
23	75456-3	(001508-) Shim, Washer, 0.88d 0.51b .020	3
24	75456-4	(001508-) Shim, Washer, 0.88d 0.51b .060	3
25	03922	(001508-) Impeller, 9.5d, 18 Blade Mach	1
26	41130	(001508-) Nut, Low Crown, .50-20	1
27	58114	(001508-) Kit, Repair, Reassembly, Fan	1
28	25821	(001508-) Housing, Vacfan, Front, W/ Label	1
29	16931	(001508-) Screw, Hex, M8 X 1.25 X 20, 8.8	6
30	1015850	(001508-) Hose, Flex, Vacuum, 4.0d 15.0l	1
31	23498	(001508-) Clamp, Hose, Wormdrive, 3.56-4.50d, .50w	2
32	1015996	(001508-) Tube Wldt, Fan, Vacuum	1

Fig. 88 - Trunnion Group

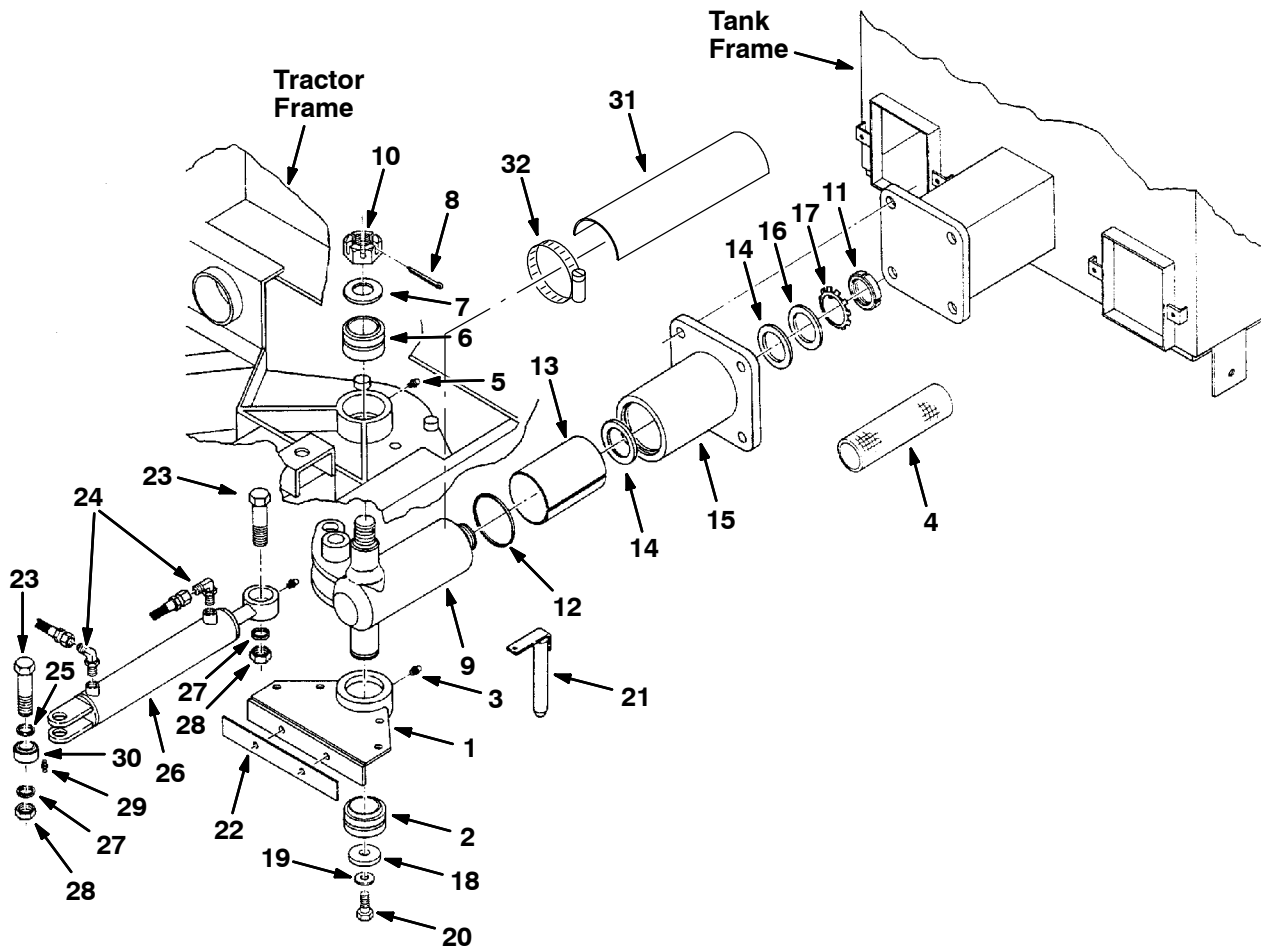


Fig. 88 - Trunnion Group

Ref.	Part No.	Serial Number	Description	Qty.
▽	42399	(001000-) Support Assembly, Lower Bearing	1
▲	1 42311	(001000-) Support, Lower Bearing	1
▲	2 42120-2	(001000-) Bearing	1
▲	3 07259	(001000-) Fitting, Grease	1
	4 82833	(001000-) Sleeve, Nylon	1
	5 07259	(001000-) Fitting, Grease	1
	6 42120-2	(001000-) Bearing	1
	7 41066	(001000-) Washer	3
	8 08298	(001000-) Pin, Cotter	1
▽	08100	(001000-) Housing Assembly, Bearing	1
▲▽	9 06846	(001000-) Pivot, Shaft	1
▲▲	10 13611	(001000-) Nut, Slotted Hex	1
▲▲	11 41073	(001000-) Nut, Lock	1
▲	12 41082	(001000-) O-Ring	1
▲	13 41083	(001000-) Bearing, Liner	1
▲	14 41084	(001000-) Bearing, Thrust	2
▲	15 32724	(001000-) Housing, Pivot	1
▲	16 41081	(001000-) Washer	1
▲	17 369701	(001000-) Washer, Lock	1
▲	18 06845	(001000-) Washer, Spacer	1
▲	19 15331	(001000-) Washer	1
▲	20 08099	(001000-) Screw, Hex	1
	21 75296	(001000-) Pin, Articulating Locking	1
	22 76540	(001000-) Shim	1
	44961	(001000-) Tie, Cable	2
	23 39912	(001000-) Screw, Hex	2
	24 56820	(001000-) Fitting, Elbow	2
	25 76915	(001000-) Washer	1
	26 04431	(001000-) Cylinder, Hydraulic (See Breakdowns)	1
	27 39347	(001000-) Washer, Flat	2
	28 02464	(001000-) Nut, Nylon	2
	29 06418	(001000-) Fitting, Grease	1
	30 42120-4	(001000-) Bearing, Self-Aligning	1
	31 1010537	(001508-) Flap, Wand, Vacuum (Gas/LPG Only)	1
	19659	(001000-) Sleeve, Nylon	1
	32 14432	(001508-) Clamp, Hose, Wormdrive, 1.81-2.75d, .56w (Gas/LPG Only)	1

Fig. 89 - Solution Pumps Group

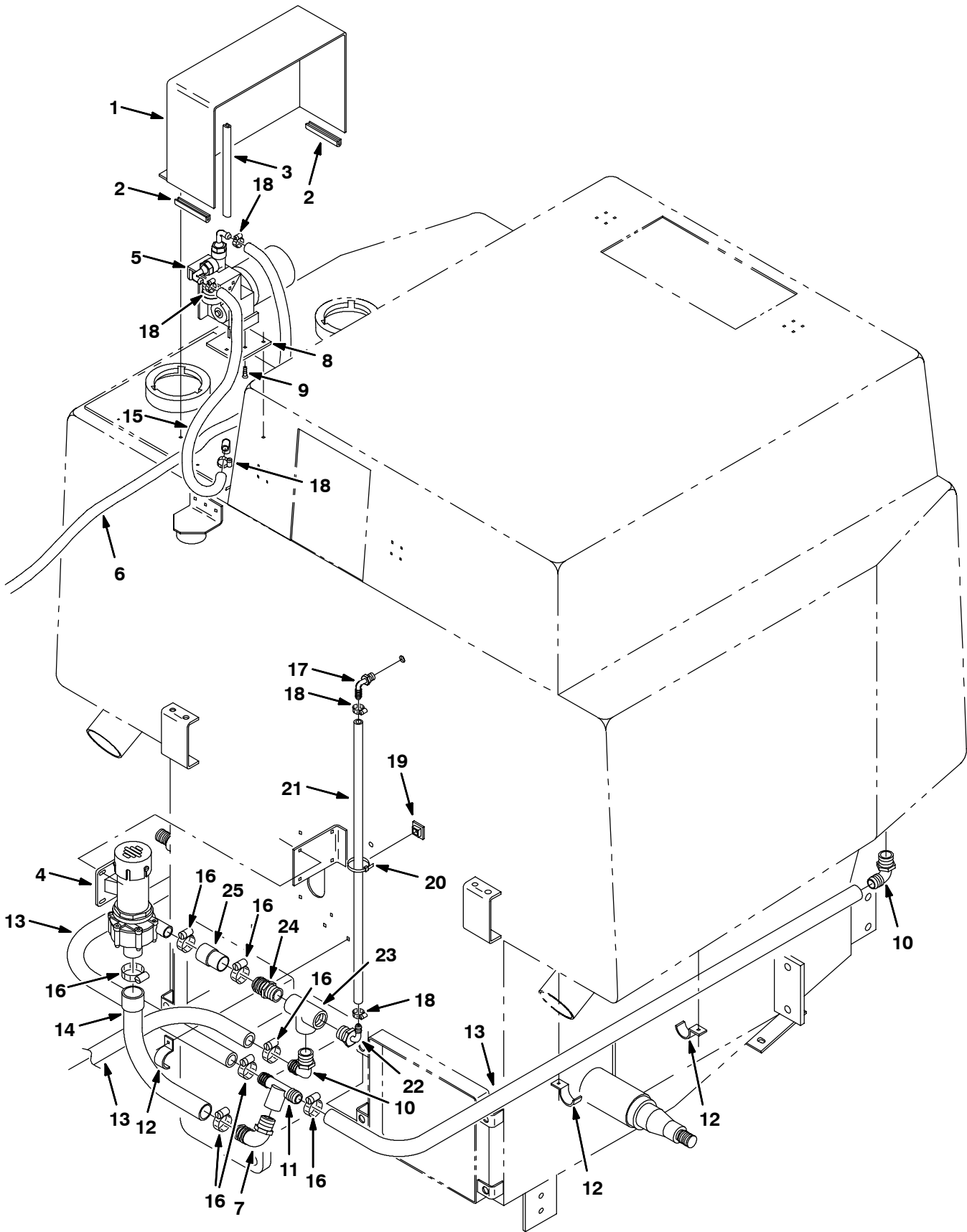


Fig. 89 - Solution Pumps Group

Ref.	Part No.	Serial Number	Description	Qty.
1	03393	(001000-) Cover, Pump	1
2	62595-18	(001000-) Molding, Rigid	2
3	62595-6	(001000-) Molding, Rigid	1
4	33327	(001000-) Pump, Solution (See Breakdowns)	1
5	16485	(001000-) Pump, Metering (See Breakdowns)	1
6	61254	(001000-) Hose, Vinyl	1
7	18595	(001000-) Fitting, Elbow	1
8	02597	(001000-) Plate, Pump Mounting	1
9	03391	(001000-) Screw, Flat	3
10	14877	(001000-) Fitting, Elbow	3
11	76075	(001000-) Fitting, Plstc, Tee, Bm12/Pf12/Bm12	1
12	44031	(001000-) Clamp	9
13	47846	(001000-) Hose, Rubber	2
14	57378	(001000-) Hose, Pump Inlet	1
15	79580	(001000-) Hose, Vinyl	1
16	11399	(001000-) Clamp, Worm Drive	9
17	03401	(001000-) Fitting, Elbow	1
18	54333	(001000-) Clamp, Worm Drive	5
19	55248	(001000-) Mount, Cable Tie	12
20	49263	(001000-) Tie, Cable	14
21	68301	(001000-) Hose, Vinyl	1
22	79484	(001000-) Fitting, Elbow	1
23	42133A	(001000-) Fitting, Tee	1
24	57379	(001000-) Fitting, Straight	1
25	57377	(001000-) Hose, Pump Outlet	1

Fig. 90 - Solution and Recovery Tank Group, Front Side

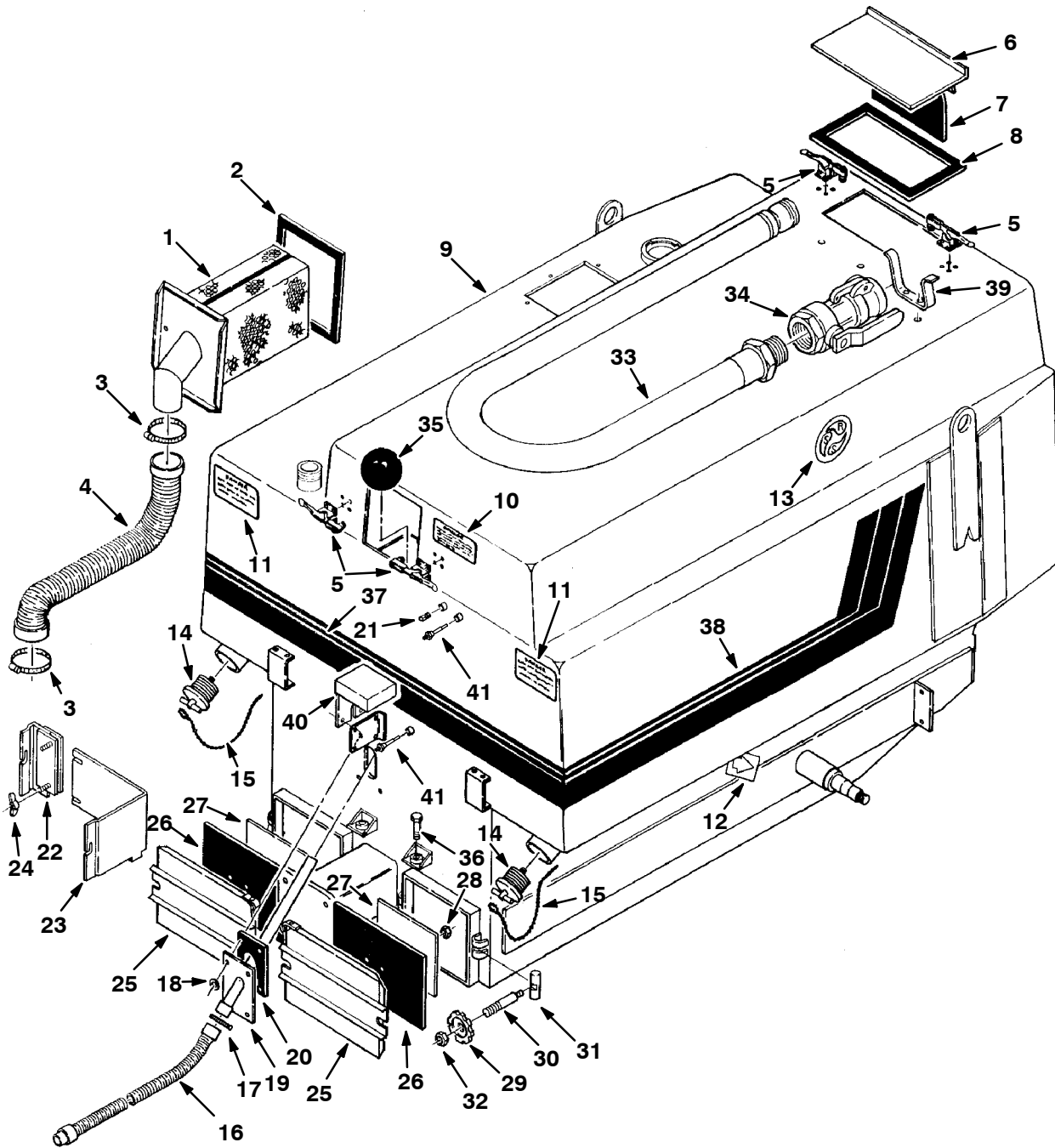


Fig. 90 - Solution and Recovery Tank Group, Front Side

Ref.	Part No.	Serial Number	Description	Qty.
1	79558	(001000-) Screen, Debris	1
2	79557	(001000-) Gasket, Screen	1
3	23498	(001000-) Clamp, Vacuum Hose	2
4	25360	(001000-) Hose, Vacuum	1
5	03823	(001000-) Clamp, Toggle	4
6	76403	(001000-) Cover, Sandblast	1
7	79500	(001000-) Sheet, Cover	1
8	76395	(001000-) Gasket, Cover	1
9	60981	(001000-) Tank, Recovery	1
10	40052	(001000-) Decal, Fan Suction	1
11	57630	(001000-) Decal, Danger, Keep Out	2
12	76157	(001000-) Decal, Jack Only On Pad	2
	09905	(001000-) Decal, TENNANT Logo	2
13	79475	(001000-) Decal, SRS	2
14	398205	(001000-) Plug, Expandable, 1.5D	2
15	79567	(001000-) Chain, Drain Plug	2
	43363	(001000-) Hook	2
16	75635	(001000-) Hose Assy, W/1cuff, 1.5d 120l 1.5/	1
17	11531	(001000-) Clamp, Pickup Hose	1
18	76426	(001000-) Washer, Seal	4
19	61157	(001000-) Tube, Front Suction	1
20	76532	(001000-) Gasket, Front Suction Tube	1
21	63511	(001000-) Plug, Sensor Hole	1
22	61276	(001000-) Dam, Sand, L.H.	1
23	61249	(001000-) Dam, Sand, R.H.	1
24	31703	(001000-) Nut, Wing	2
25	61176	(001000-) Door	2
26	61174	(001000-) Gasket, Door	2
27	61175	(001000-) Plate, Door	2
28	41169	(001000-) Nut, Stainless Steel	4
29	82958	(001000-) Knob, Door Latch	4
30	61171	(001000-) Stud, Door Latch	4
31	61170	(001000-) Rod, Door Latch	4
32	36644	(001000-) Nut, Locking	4
33	61268	(001000-) Hose, Suction Drain	1
34	61265	(001000-) Coupling, Suction Hose	1
35	03706	(001000-) Ball, Float	1
36	61181	(001000-) Pivot, Upper Door Hinge	2
37	75810	(001000-) Label, Stripe, Front	2
38	75816	(001000-) Label, Stripe, L.H.	1
	75815	(001000-) Label, Stripe, R.H. (not shown)	1
39	61257	(001000-) Retainer, Hose	4
40	61628	(001000-) Cover, Pump	1
41	76089-2	(001000-) Probe, Liquid Level	2

Fig. 91 - Solution and Recovery Tank Group, Rear Side

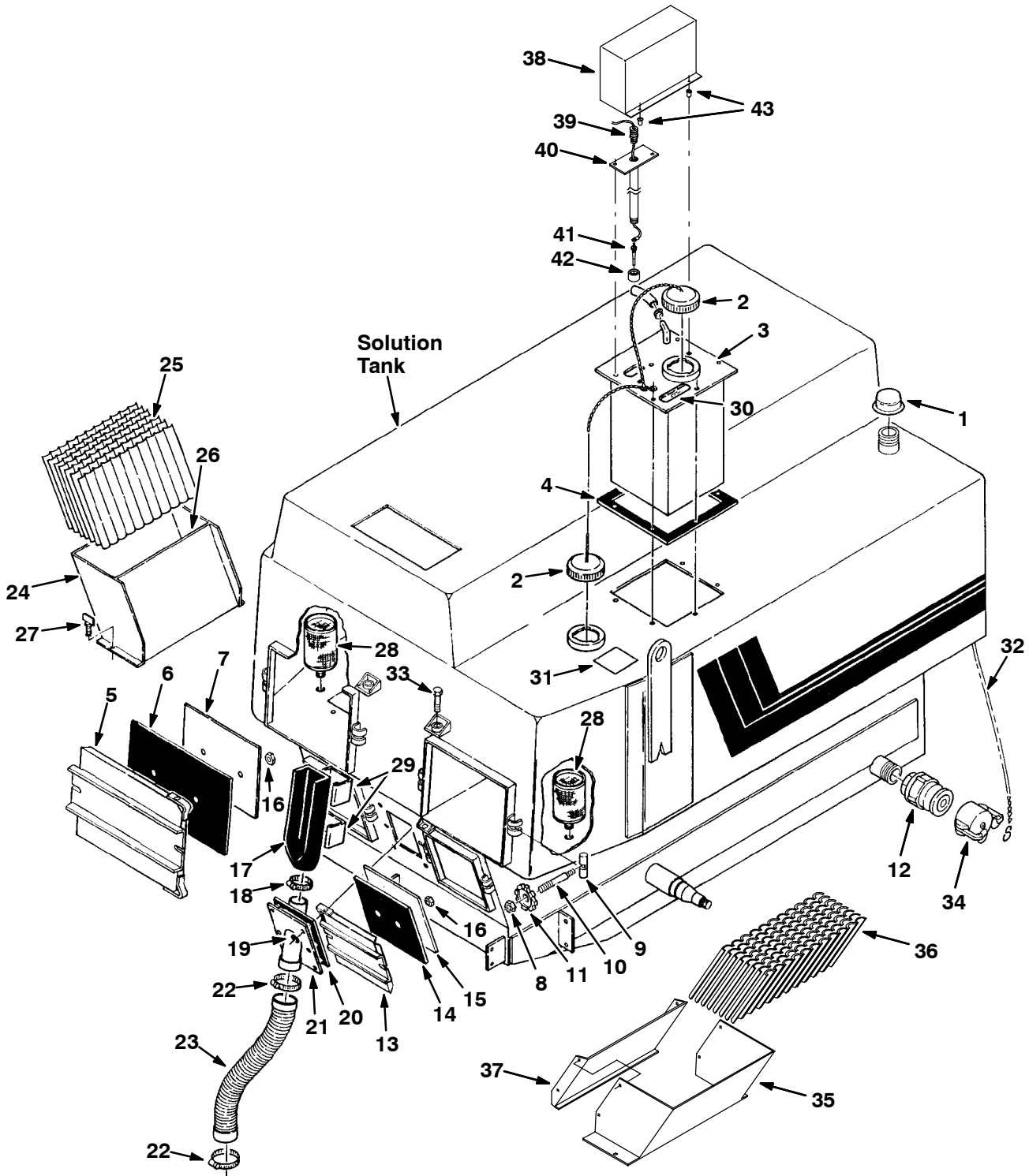
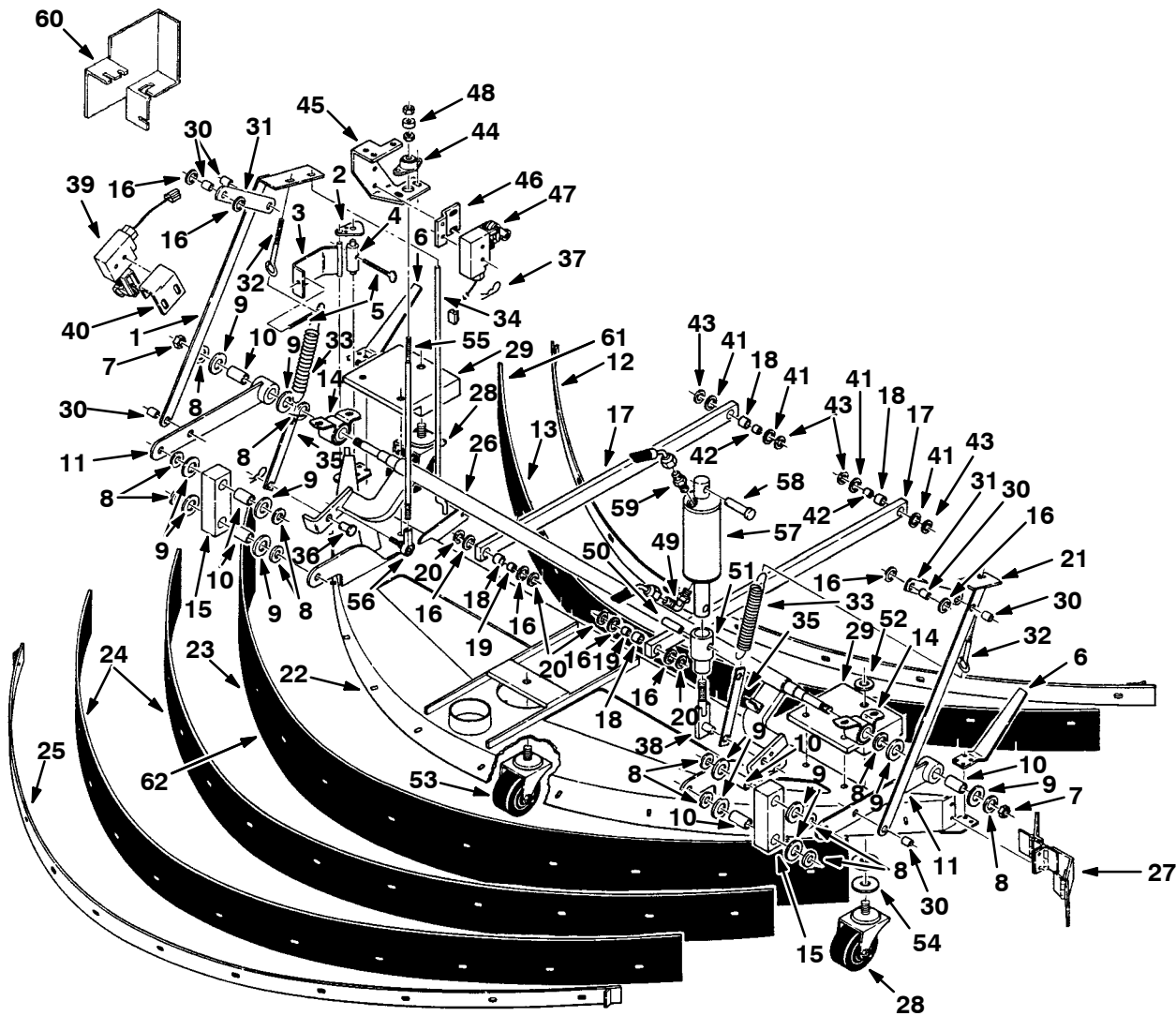


Fig. 91 - Solution and Recovery Tank Group, Rear Side

Ref.	Part No.	Serial Number	Description	Qty.	
1	61271	(001000-) Cap	1	
2	375724	(001000-) Cap, Filler	2	
3	03404	(001000-) Tank, Detergent	1	
4	79367	(001000-) Gasket, Tank	1	
5	61189	(001000-) Door, Upper	2	
6	61187	(001000-) Gasket, Upper Door	2	
7	61188	(001000-) Plate, Upper Door	2	
8	36644	(001000-) Nut, Locking	8	
9	61170	(001000-) Rod, Latch	8	
10	61171	(001000-) Stud, Latch	8	
11	82958	(001000-) Knob	8	
12	61262	(001000-) Adapter	1	
13	61245	(001000-) Door, Lower	2	
14	61174	(001000-) Gasket, Lower Door	2	
15	61175	(001000-) Plate, Lower Door	2	
16	41169	(001000-) Nut, Locking	8	
17	79500	(001000-) Deflector, Spray	1	
18	23498	(001000-) Clamp, Deflector	1	
19	76426	(001000-) Washer, Rubber	6	
20	79545	(001000-) Seal, Suction Tube	1	
21	61160	(001000-) Tube, Real Squeegee Suction	1	
22	43555	(001000-) Clamp, Suction Tube	2	
23	25649	(001000-) Hose, Squeegee Suction	1	
▽	79477	(001000-) Filter Assembly, Laminar Flow, L.H.	1	
▲	24	79473-1	(001000-) Housing, Filter, L.H.	1
▲	25	64685	(001000-) Filter, Laminar Flow	2
▲	26	79474	(001000-) Panel, Laminar Flow Housing	2
	27	79464	(001000-) Thumbscrew, Filter Hold-Down	2
	28	79424	(001000-) Filter, Solution Outlet	2
	29	79570	(001000-) Frame, Spray Deflector	2
30	79488	(001000-) Decal, SRS Cleaning Solution	1	
31	79478	(001000-) Decal, Fill Tank	1	
32	61648	(001000-) Chain Assembly	1	
33	61181	(001000-) Pivot, Door Hinge	4	
34	61647	(001000-) Cap, Adapter	1	
▽	79476	(001000-) Filter Assembly, Laminar Flow, R.H.	1	
▲	35	79472-1	(001000-) Housing, Filter, R.H.	1
▲	36	64685	(001000-) Filter, Laminar Flow	2
▲	37	79474	(001000-) Panel, Laminar Flow Housing	2
38	03393	(001000-) Cover, Liquid Level Probe	1	
39	79553	(001000-) Connector	1	
40	79452	(001000-) Housing, Probe	1	
41	76089-2	(001000-) Probe, Liquid Level	3	
42	79451	(001000-) Fitting, Cap	1	
43	42082	(001000-) Rivnut	2	

Fig. 92 - Rear Squeegee Assembly



09874 - 1550

Ref.	Part No.	Serial Number	Description	Qty.
▽	32415	(001000-) Rear Squeegee Assembly	1
▲	1 78096	(001000-) Arm, L.H.	1
▲	2 76922-1	(001000-) Plate, Pivot	1
▲	3 76921	(001000-) Adjuster, Rear	1
▲	4 76927	(001000-) Pivot, Adjuster	1
▲	5 78641	(001000-) Screw, Thumb	2
▲	6 59639A	(001000-) Guide, Spring	2
▲	7 32985	(001000-) Nut	2
▲	8 32493	(001000-) Washer, Flat	12
▲	9 76979	(001000-) Washer, Thrust	12
▲	10 76392	(001000-) Sleeve, Bearing	6
▲▽	11 76984-1	(001000-) Arm Assembly	2
▲▲	76978	(001000-) Bearing, Fiberglide	1
▲	12 76896	(001000-) Band, Front, Squeegee	1
▲	13 60018	(001000-) Blade, Front, Squeegee	1
▲	14 16928	(001000-) Bearing, Pillow Block	2
▲▽	15 76974-1	(001000-) Arm Assembly, Vertical Block	2
▲▲	76978	(001000-) Bearing, Fiberglide	1

Fig. 92 - Rear Squeegee Assembly

Ref.	Part No.	Serial Number	Description	Qty.
▲	16	59633	(001000-) Bearing, Thrust, 0.53b 1.00d 0.03w	8
▲▽	17	33510	(001000-) Link, Rear Drag	2
▲▲	18	59634	(001000-) Sleeve, Bearing	2
▲	19	59632	(001000-) Sleeve	2
▲	20	01686	(001000-) Washer	4
▲	21	76988	(001000-) Arm, R.H.	1
▲	22	10150	(001000-) Frame, Rear	1
▲	23	60016	(001000-) Blade, Rear, Squeegee	1
▲	24	76937	(001000-) Strip, Rear, Backup	2
▲	25	76946	(001000-) Band, Rear, Squeegee	1
▲	26	33749	(001000-) Shaft, Squeegee Lift	1
▲	27	78642	(001000-) Clamp, Squeegee Band	1
▲	28	370133	(001000-) Caster	2
▲	29	10149	(001000-) Mount, Caster	2
▲	30	76390	(001000-) Sleeve	6
▲	31	76391	(001000-) Link	2
	32	76353	(001000-) Bolt, Eye	2
	33	47745	(001000-) Spring	2
	34	78093	(001000-) Rod	1
		20021	(001000-) Pin, Roll	1
	35	78695	(001000-) Strip, Spring	2
	36	51530	(001000-) Pin, Clevis	1
	37	08175	(001000-) Pin, Cotter	4
	38	48884	(001000-) Adaptor, Cylinder	1
	39	76340	(001000-) Switch, Roller	1
	40	76269	(001000-) Bracket, Switch Mounting	1
	41	59633	(001000-) Washer, Fiberglide	4
	42	59632	(001000-) Sleeve	2
	43	32492	(001000-) Washer	4
	44	33743	(001000-) Bearing, Flange	1
	45	33744	(001000-) Bracket, Mounting	1
	46	33745	(001000-) Bracket, Switch	1
	47	33748	(001000-) Switch	1
	48	33747	(001000-) Barrel, Trip	1
	49	77097	(001000-) Fitting, Elbow	1
	50	54041	(001000-) Pin, Roll	1
	51	09626	(001000-) Adapter, Cylinder Rod	1
	52	36328	(001000-) Washer, Belleville	3
	53	370133	(001000-) Caster	1
	54	51564	(001000-) Washer	5
	55	33746	(001000-) Rod, Trip	1
	56	36466	(001000-) Ball Joint	1
	57	1028058	(001000-) Cylinder, Hyd, 2.0b 08.0l 04.00strk 2500	1
	58	51534	(001000-) Pin, Clevis	1
	59	55586	(001000-) Fitting, Straight	1
	60	65946	(001000- xxxxxx) Cover, Switch	1
	61	78560	(001000-) Blade, Front Squeegee, Urethane	1
	62	78561	(001000-) Blade, Rear, Squeegee, Urethane	1

Fig. 93 - Label Group

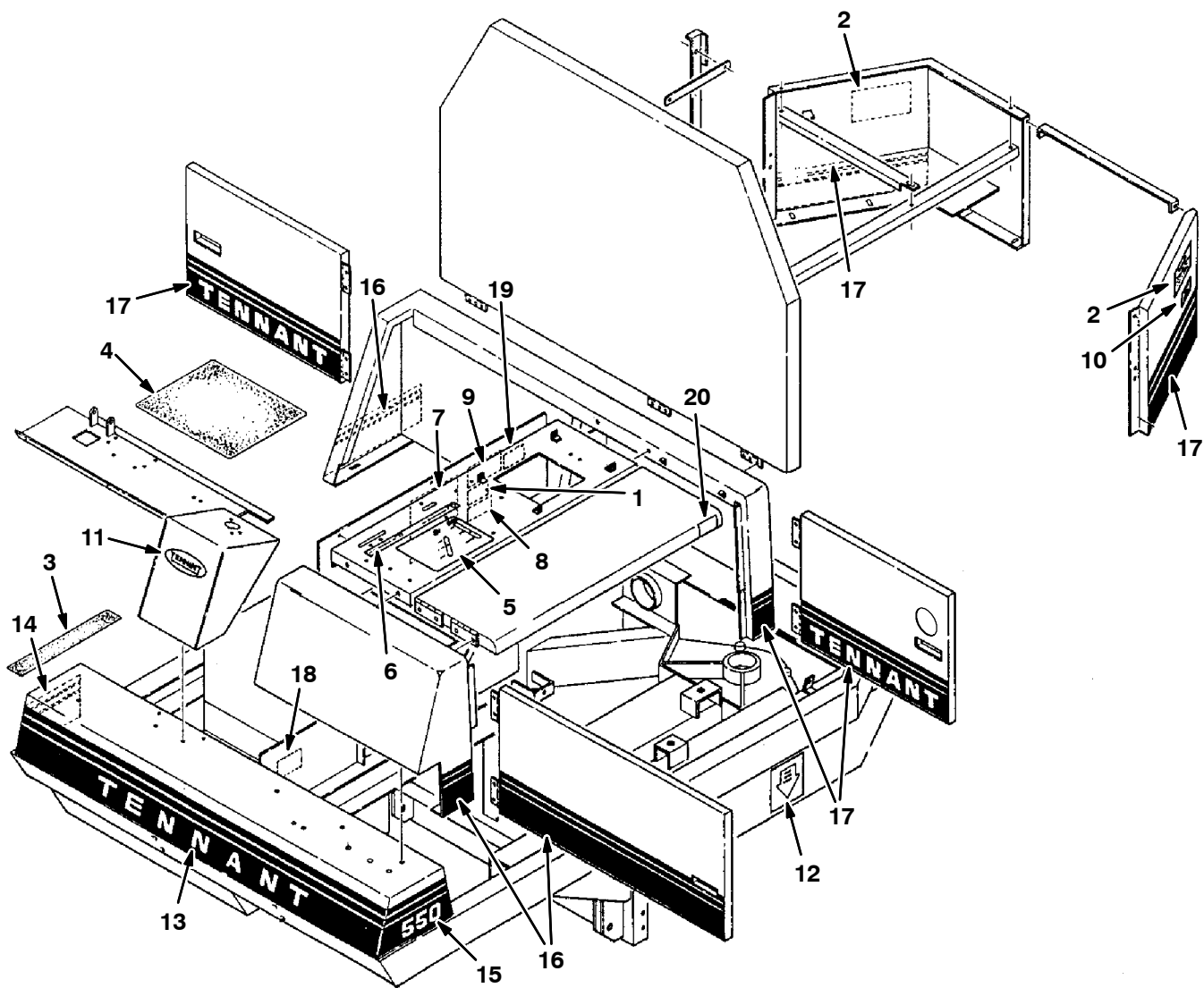


Fig. 93 - Label Group

Ref.	Part No.	Serial Number	Description	Qty.
1	37089	(001508-) Label, [Caution], [Travel Slowly]	1
2	57630	(001508-) Label, Warning, Danger, Pinch Point	2
3	75430	(001508-) Tread, Non-Skid, 02.2w 15.5l	1
4	69571	(001508-) Tread, Non-Skid, 12.0w 14.5l	1
5	76354	(001508-) Label, Opertnl, Instmt Panel, [550]	1
6	76113	(001508-) Label, Control, Throttle	1
7	76156	(001508-) Label, Maint, [550]	1
8	61650	(001508-) Label, Info, [Tire Pressure]	1
9	48242	(001508-) Label, Info, Alternator Equipped	1
10	51368	(001508-) Label, Maint, [Radiator Fins]	1
11	27474	(001508-) Label, Logo, Tennant, Oval, 114l, Blk	1
12	76158	(001508-) Label, Info, Jack Point, Tractor	2
13	75812	(001508-) Label, Stripe, [Tennant],[550]	1
14	75813	(001508-) Label, Stripe, Wing, Rh,[1550]	1
15	75814	(001508-) Label, Stripe, Wing, Lh,[1550]	1
16	75810	(001508-) Label, Stripe, 36.00, [550]	2
17	75811	(001508-) Label, Stripe, [Tennant],[550]	2
18	1008894	(001508-) Label, Patent, Power Scrubber	1
19	1020434	(001508-) Label, Caution, [Apply Parking Brake]	1
20	392551	(001508-) Label, [Warning], Heavy Lpg Tank (LP ONLY)	1

SECTION 7

Contents	Page
Fig. 1 - Fuel Tank and Engine Group, LPG (001000-001423)	7-2
Fig. 2 - Engine Fuel Tank Group, LPG (001424-001505)	7-4
Fig. 3 - Engine Fuel Tank Group, LPG (001508-)	7-6
Fig. 4 - Engine EFI and Vaporizer Group, LPG (001424-001505 version 1)	7-8
Fig. 5 - Engine EFI and Vaporizer Group, LPG (001424-001505 version 2)	7-10
Fig. 6 - Engine EFI and Vaporizer Group, LPG (001508-001537)	7-12
Fig. 7 - Engine EFI and Vaporizer Group, LPG (001538-)	7-16
Fig. 8 - Engine Air Cleaner Group, LPG (001000-001402)	7-18
Fig. 9 - Engine Air Cleaner Group, LPG (001403-001423)	7-19
Fig. 10 - Engine Air Cleaner Group, LPG (001508-)	7-20
Fig. 11 - Instrument Panel Group, LPG (001508-)	7-22
Fig. 12 - Engine Cover Group, LPG (001000-001423)	7-24

Fig. 1 - Fuel Tank and Engine Group, LPG (001000-001423)

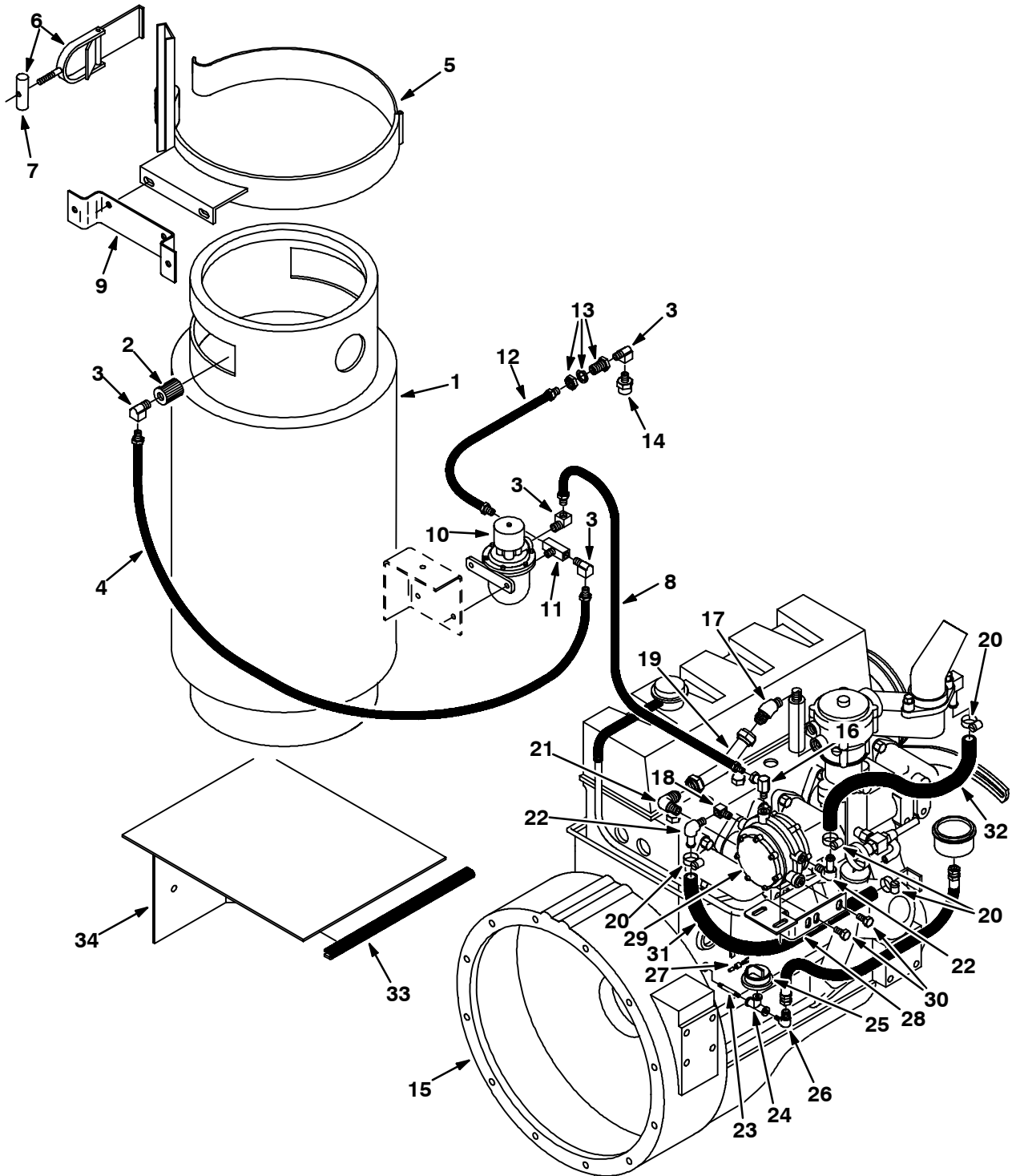


Fig. 1 - Fuel Tank and Engine Group, LPG (001000-001423)

Ref.	Part No.	Serial Number	Description	Qty.
1	24928-1	(001000-001423)	Tank, LPG, with Filler Gauge	1
2	26496	(001000-001423)	Coupling, LPG Tank	1
3	27048	(001000-001423)	Fitting, Elbow	4
4	10754	(001000-001423)	Hose, LPG	1
5	78092	(001000-001423)	Bracket, LPG Tank	1
▽	6	53400-1	(001000-001423) Latch Assembly, LPG Tank	1
▲	7	53400-4	(001000-001423) Nut, Adjustable	1
	8	10756	(001000-001423) Hose, LPG	1
	9	78085	(001000-001423) Mount, Strap	1
▽	10	53395-2	(001000-001423) Fuel Filter Lock	1
▲		SK1444	(001000-001423) Repair Kit, Fuel Filter Lock	1
	11	53268	(001000-001423) Fitting, Tee	1
	12	22308-1	(001000-001423) Hose, LPG	1
	13	78122	(001000-001423) Fitting, Bulkhead	1
	14	24047	(001000-001423) Valve, Pressure Relief	1
	15	61695	(001000-001423) Engine, Lpg, TM27 (See Continental Engine Breakdown, Gasoline, LPG)	1
	16	11442-1	(001000-001423) Fitting, Elbow	1
	17	46485	(001000-001423) Fitting, Elbow, 45°	1
	18	24584	(001000-001423) Fitting, Elbow	1
	19	34880	(001000-001423) Tube, Hydraulic	1
	20	54333	(001000-001423) Clamp, Worm Drive	4
	21	46611	(001000-001423) Fitting, Elbow	1
	22	47388	(001000-001423) Fitting, Elbow	2
	23	48144	(001000-001423) Fitting, Nipple	1
	24	22309	(001000-001423) Fitting, Tee	1
	25	51805	(001000-001423) Switch, Oil Pressure	1
	26	06507	(001000-001423) Fitting, Elbow	1
	27	50565	(001000-001423) Diode Assembly, LPG	1
	28	34881	(001000-001423) Bracket, Mount	1
▽	29	374648	(001000-001423) Vaporizer, LPG	1
▲		374649	(001000-001423) Repair Kit, Vaporizer	1
▲		374532	(001000-001423) Hi Alt Vaporizer Spring	1
	30	16735	(001000-001423) Screw, Hex, M8	2
	31	47826	(001000-001423) Hose, Rubber	1
	32	54027	(001000-001423) Hose, Rubber	1
	33	62595-4	(001000-001423) Molding, Rigid	1
	34	78088	(001000-001423) Support, LPG Tank	1

Fig. 2 - Engine Fuel Tank Group, LPG (001424-001505)

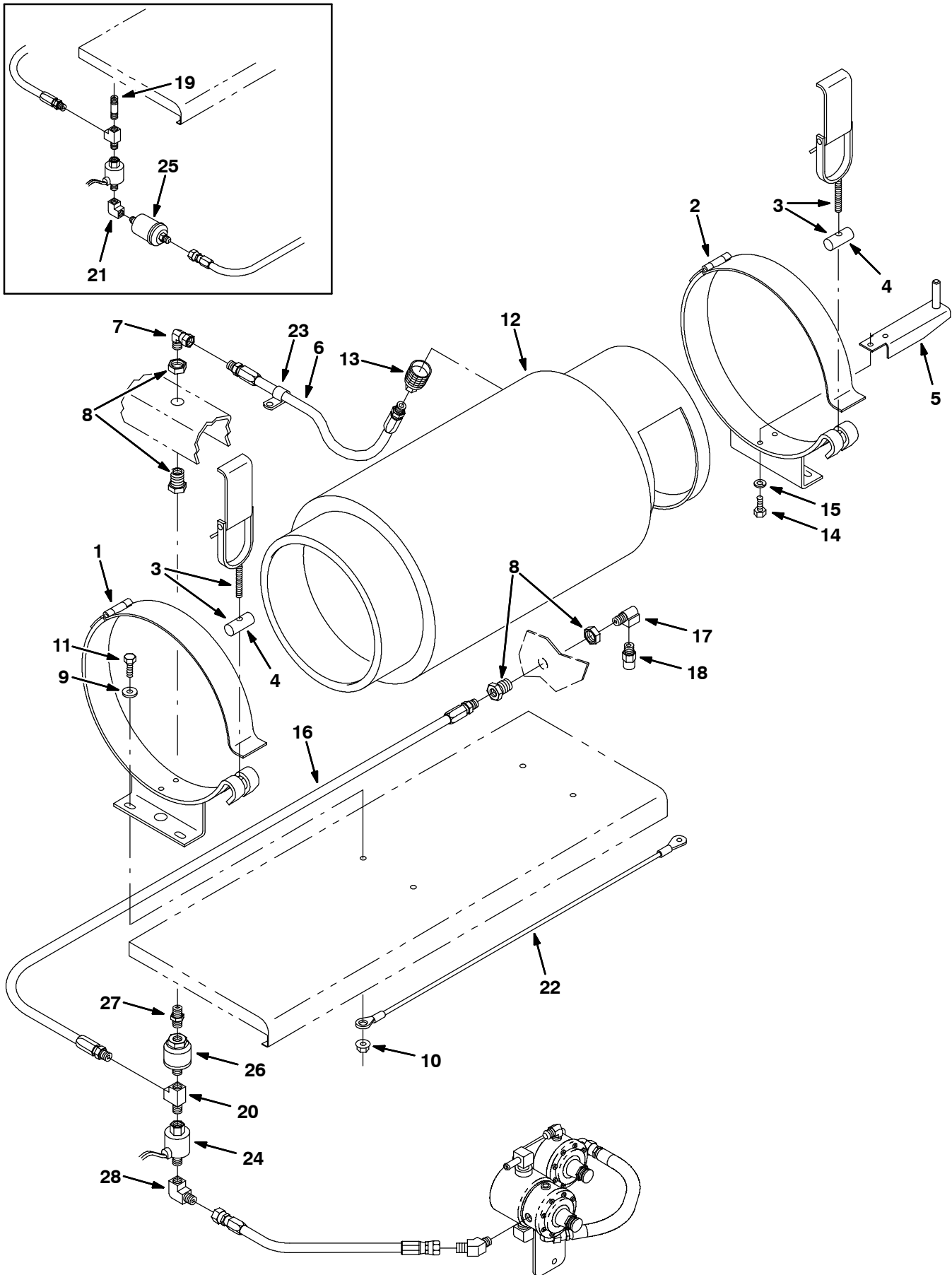


Fig. 2 - Engine Fuel Tank Group, LPG (001424-001505)

Ref.	Part No.	Serial Number	Description	Qty.	
1	53400-3	(001424-001505)	Bracket, Tank	1	
2	53400-2	(001424-001505)	Bracket, Tank	1	
▽	3	53400-1	(001424-001505)	Latch	2
▲	4	53400-4	(001424-001505)	Nut	1
5	53400-5	(001424-001505)	Pin	1	
6	10756	(001424-001505)	Hose, Lpg, Med06, Pm04str/Pm04str, 18.0l	1	
7	11442-1	(001424-001505)	Fitting, Hyd, E90, Swivel Pf04/Pm04	1	
8	78122	(001424-001505)	Fitting, Brs, Str, Pf04/Pf04 Bkhd	2	
9	32491	(001424-001505)	Washer, Flt, .31 Std	4	
10	07791	(001424-001505)	Nut, Hex, Flng, .M08 X 1.25	4	
11	39277	(001424-001505)	Screw, Hex, .M08 X 1.25X 25, 5	4	
12	24928-1	(001424-001505)	Tank, Lpg, 33lb, W/ Fill Gauge, [Liq]	1	
13	26496	(001424-001505)	Fitting, Brs, Qdc, Pf04 Lpg Fem	1	
14	54394	(001424-001505)	Screw, Hex, .31-18 X 0.50, 5	2	
15	32984	(001424-001505)	Washer, Lock, Int, .31	2	
16	371583	(001424-001505)	Hose, Hi Press, Lpg 34L	1	
17	27048	(001424-001505)	Fitting, Elbow	1	
18	24047	(001424-001505)	Valve, Pressure Relief	1	
19	392546	(001424- xxxxxx)	Fitting, Pipe, Str, Pm04/Pm04 02.0l,Blk	1	
20	24929	(001424-001505)	Fitting, Brs, Tee, Pf0j/Pf04/Pm04	1	
21	54179	(001424- xxxxxx)	Fitting, Brs, E90, Pf04/Pf02	1	
22	392537	(001424-001505)	Chain, Sash, #35, 22.2l 40 Link	1	
23	07471	(001424-001505)	Clamp, Cable, Stl, 0.75d X 0.75w, 1h	1	
24	371676	(001424-001505)	Solenoid, Lock Off, Lpg	1	
25	371671	(001424- xxxxxx)	Filter, Fuel, In-line, (Lpg)	1	
26	377337	(xxxxxx-001505)	Filter, Fuel, In-line, (Lpg)	1	
27	398468	(xxxxxx-001505)	Fitting, Brs, Str, Pm04/Pm04	1	
28	398473	(xxxxxx-001505)	Fitting, Brs, E90, Pf04/Sm06	1	

Fig. 3 - Engine Fuel Tank Group, LPG (001508-)

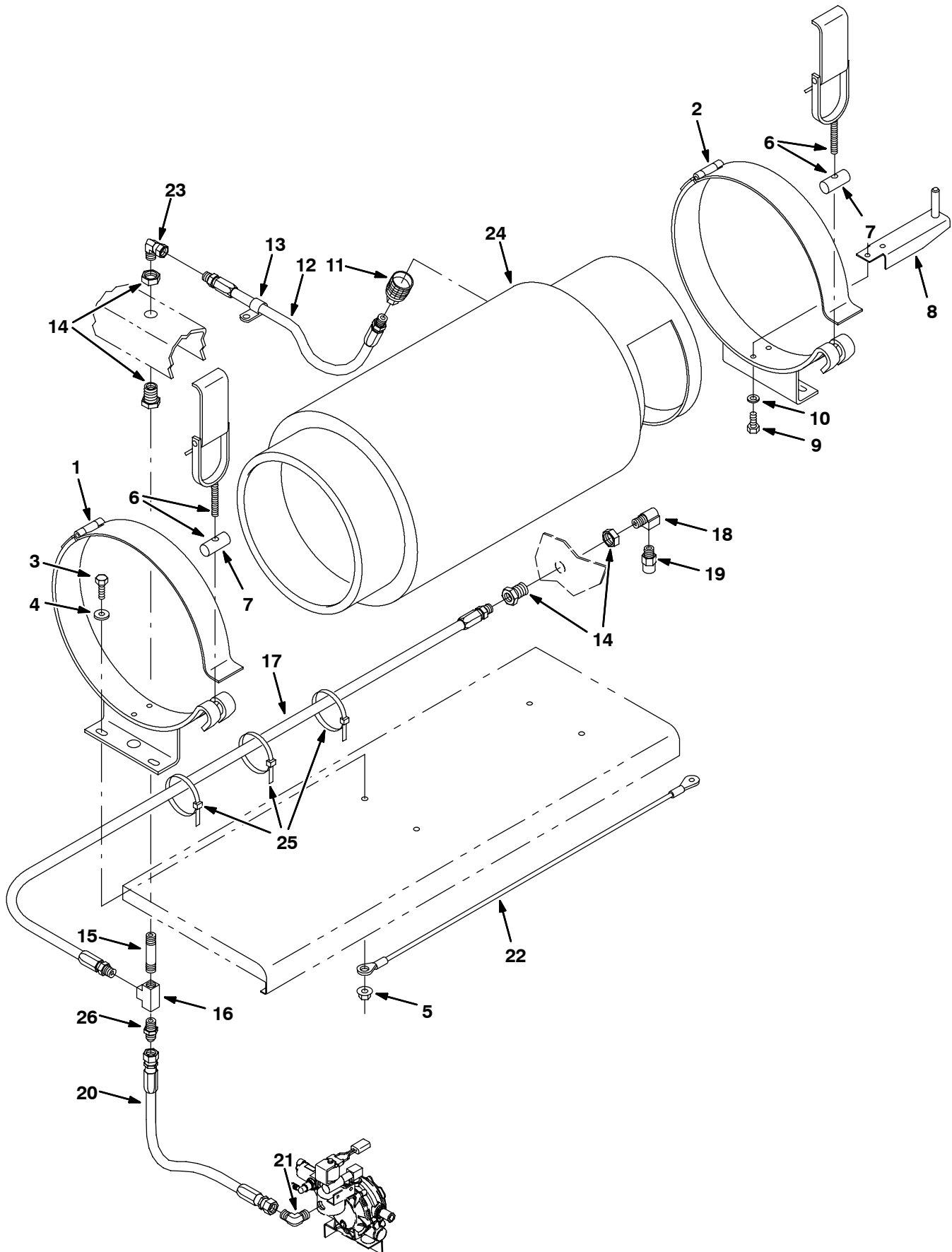


Fig. 3 - Engine Fuel Tank Group, LPG (001508-)

Ref.	Part No.	Serial Number	Description	Qty.	
1	53400-3	(001508-) Bracket Wldt, Mtg, Tank, Lpg	1	
2	53400-2	(001508-) Bracket, Tank	1	
3	76955	(001508-) Screw, Hex, .31-18 X 1.00, 5	4	
4	32491	(001508-) Washer, Flat, 0.31 Std	4	
5	27979	(001508-) Nut, Hex, Flng, .31-18	4	
▽	6	53400-1	(001508-) Latch Assy, Mtg, Tank, Lpg, W/Nut	2
▲	7	53400-4	(001508-) Nut, Adj, Mtg, Tank, Lpg	1
8	53400-5	(001508-) Pin	1	
9	54394	(001508-) Screw, Hex, .31-18 X 0.50, 5	2	
10	32984	(001508-) Washer, Lock, Int, .31	2	
11	26496	(001508-) Fitting, Brs, Qdc, Pf04 Lpg Fem	1	
12	10756	(001508-) Hose, Lpg, Med06, Pm04str/Pm04str, 18.0l	1	
13	07471	(001508-) Clamp, Cable, Stl, 0.75d X 0.75w, 1h	1	
14	78122	(001508-) Fitting, Brs, Str, Pf04/Pf04, Bkhd	2	
15	392546	(001508-) Fitting, Pipe, Str, Pm04/Pm04 02.5l,Blk	1	
16	398474	(001508-) Fitting, Brs, Tee, Pf04/Pf04/Pf04	1	
17	360936	(001508-) Hose, Lpg, Med05, Pm04str/Sm04str, 54.0l	1	
18	27048	(001508-) Fitting, Brs, E90, Pm04/Pf04	1	
19	24047	(001508-) Valve, Lpg, Press Relief, [Rego]	1	
20	56875	(001508-) Hose, Lpg, Med06, Jf06str/Jf06str, 20.0l	1	
21	52424	(001508-) Fitting, Hyd, E90, Jm06/Pm04	1	
22	222227	(001508-) Cable, .13d, 26.7l, .50eye /.25eye	1	
23	11442-1	(001508-) Fitting, Hyd, E90, Spcl	1	
24	24928-1	(001508-) Tank, Lpg, 33lb, W/ Gauge [Empty] [Liq]	1	
25	44961	(001508-) Tie, Cable, Nyl, 14.5l .30w 4.0 Max D	3	
26	15724	(001508-) Fitting, Hyd, Str, Jm06/Pm04	1	

Fig. 4 - Engine EFI and Vaporizer Group, LPG (001424-001505 version 1)

NOTE: Repair parts in this serial number range are identified in Fig. 4 or Fig. 5.

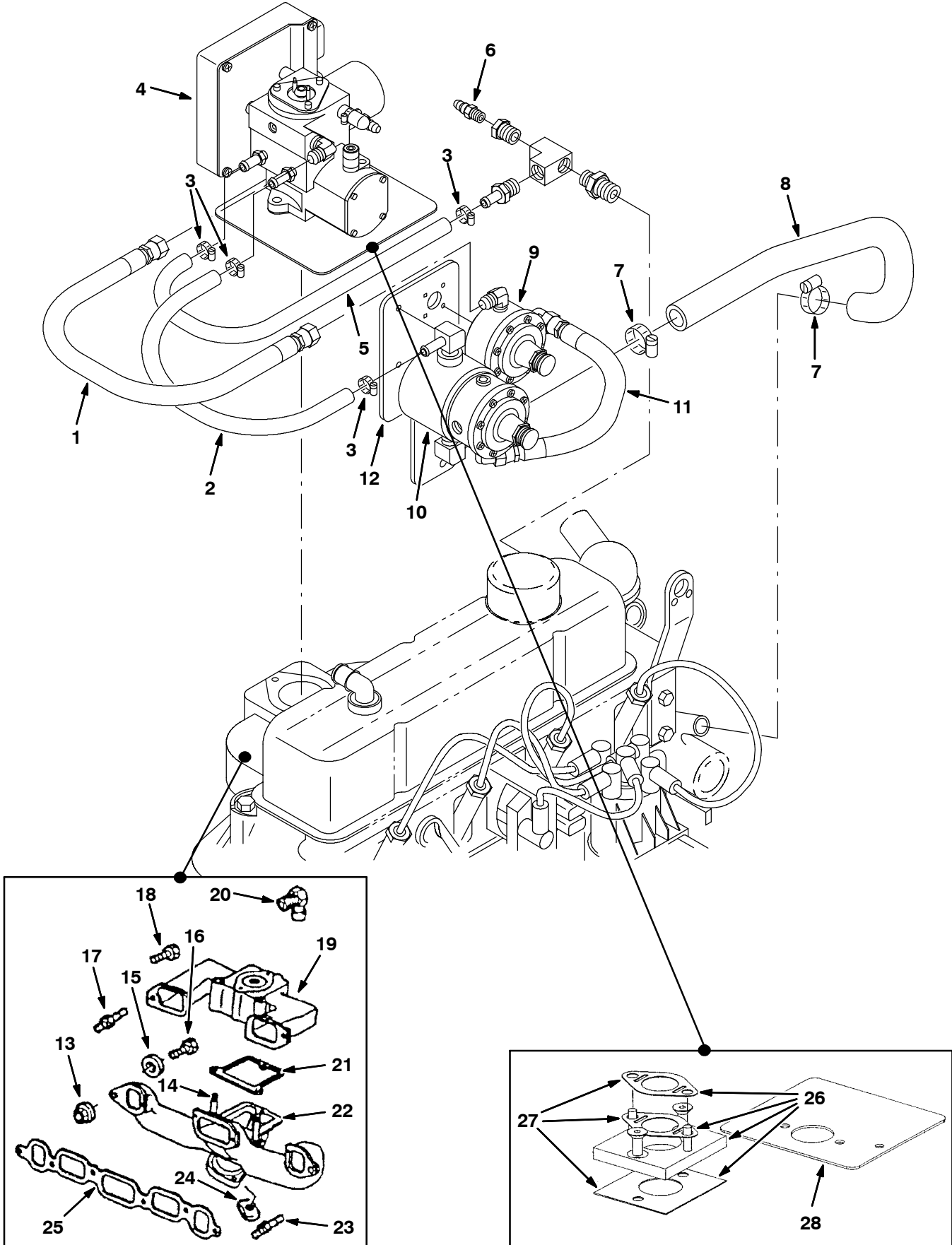


Fig. 4 - Engine EFI and Vaporizer Group, LPG (001424-001505 version 1)*NOTE: Repair parts in this serial number range are identified in Fig. 4 or Fig. 5.*

Ref.	Part No.	Serial Number	Description	Qty.	
1	393981	(001424-001505)	Hose, Hi Press, Lp	1	
2	375132	(001424-001505)	Hose, Heater, .38id 18L	1	
3	371538	(001424-001505)	Clamp, Hose, Wormdrive	4	
4	371663	(001424-001505)	Housing Assy, Throttle, Lpg, [With Ecu] (See Breakdowns)	1	
5	371532	(001424-001505)	Hose, Heater, .38id 21L	1	
6	371764	(001424-001505)	Sensor, Temp, Water	1	
7	11399	(001424-001505)	Clamp, Hose, Wormdrive, 0.81-1.50d, .50w	2	
8	393972	(001424-001505)	Hose, Water	1	
9	371673	(001424-001505)	Regulator Assy, Secondary, W/ Ftg, Lpg	1	
10	371674	(001424-001505)	Regulator Assy, Primary, W/ Ftg, Lpg	1	
11	371675	(001424-001505)	Hose Assy, Primary To Secondary, Lpg	1	
12	371677	(001424-001505)	Bracket, Mtg	1	
13	393905	(001424-001505)	Nut	8	
14	393906	(001424-001505)	Stud	2	
15	393907	(001424-001505)	Washer	-	
16	393898	(001424-001505)	Bolt	3	
17	393908	(001424-001505)	Stud	1	
18	393909	(001424-001505)	Bolt	-	
19	393910	(001424-001505)	Manifold, Intake	1	
20	393911	(001424-001505)	Fitting	1	
21	393912	(001424-001505)	Gasket	1	
22	393913	(001424-001505)	Manifold, Exhaust	1	
23	393914	(001424-001505)	Stud	2	
24	393915	(001424-001505)	Clamp	4	
25	393916	(001424-001505)	Gasket	1	
▽	26	371646	(001424-001505)	Adapter Kit, Manifold	1
▲	27	371647	(001424-001505)	Gasket Kit, Manifold	1
	28	371658	(001424-001505)	Shield, Heat	1

Fig. 5 - Engine EFI and Vaporizer Group, LPG (001424-001505 version 2)

NOTE: Repair parts in this serial number range are identified in Fig. 4 or Fig. 5.

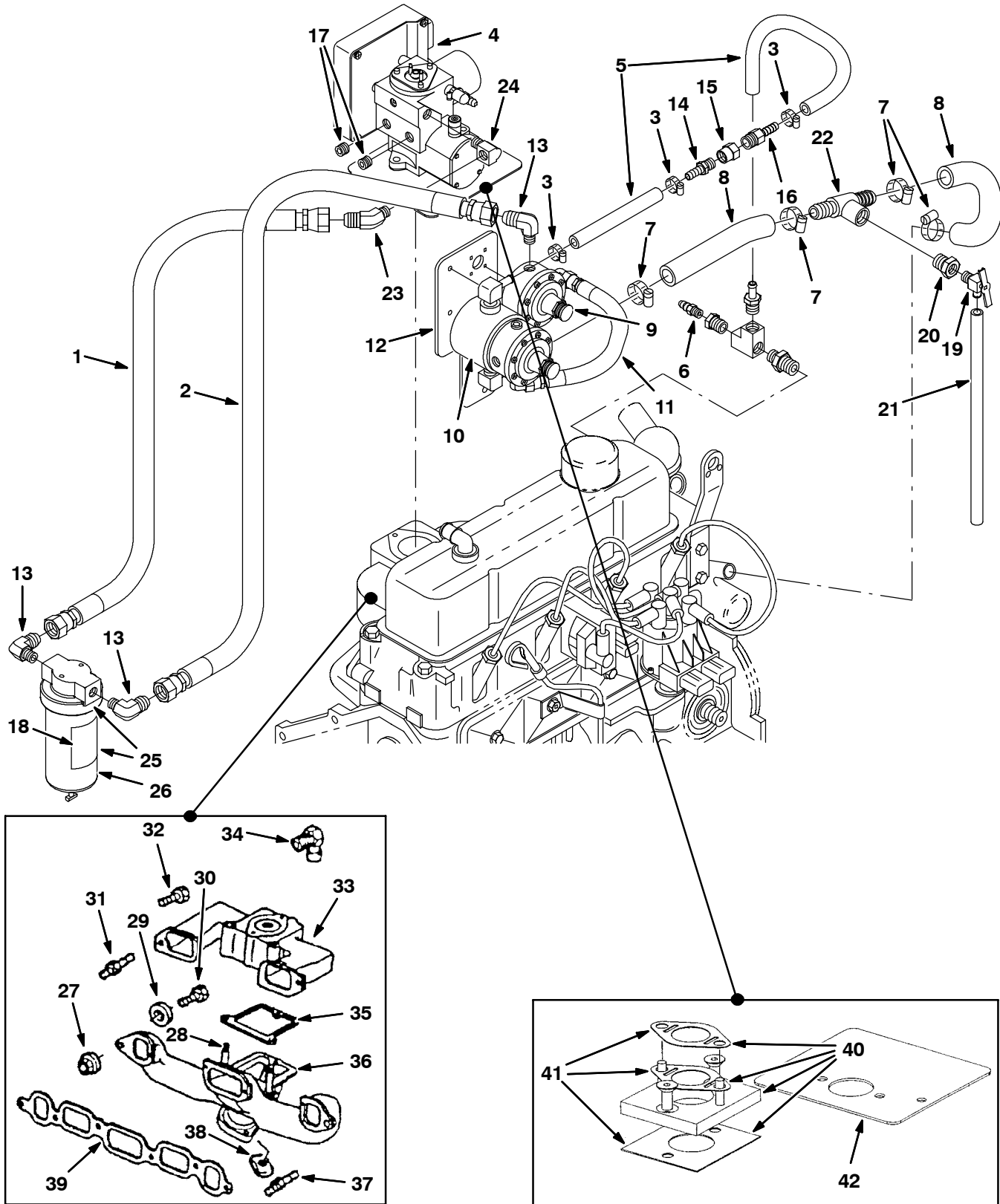


Fig. 5 - Engine EFI and Vaporizer Group, LPG (001424-001505 version 2)*NOTE: Repair parts in this serial number range are identified in Fig. 4 or Fig. 5.*

Ref.	Part No.	Serial Number	Description	Qty.	
1	1017476	(001424-001505)	Hose, Lpg, Med08, Jf08str/Jf08str , 35.0	1	
2	1017819	(001424-001505)	Hose, Lpg, Med08, Jf08str/Jf08str , 41.0	1	
3	371538	(001424-001505)	Clamp, Hose, Wormdrive	3	
4	371663	(001424-001505)	Housing Assy, Throttle, Lpg, (See Breakdowns)	1	
5	371532	(001424-001505)	Hose, Heater, .38id 21L	1	
6	371764	(001424-001505)	Sensor, Temp, Water	1	
7	11399	(001424-001505)	Clamp, Hose, Wormdrive, 0.81-1.50d, .50w	4	
8	393972	(001424-001505)	Hose, Water	1	
9	371673	(001424-001505)	Regulator Assy, Secondary, W/ Ftg, Lpg	1	
10	371674	(001424-001505)	Regulator Assy, Primary, W/ Ftg, Lpg	1	
11	371675	(001424-001505)	Hose Assy, Primary To Secondary, Lpg	1	
12	371677	(001424-001505)	Bracket, Mtg	1	
13	1017272	(001424-001505)	Fitting, Hyd, E90, Jm08/Pm04	3	
14	150516	(001424-001505)	Fitting, Brs, Str, Pm04/Bm06, T	1	
15	1017239	(001424-001505)	Fitting, Brs, Rst, Pf04/.69-16f, .063	1	
16	1017598	(001424-001505)	Fitting, Plstc, Str, Bm06/M.69-16	1	
17	02247	(001424-001505)	Fitting, Pipe, Plug, Pm04 Hex Soc	2	
18	1017662	(001424-001505)	Label, Instr, Filter Drain	1	
19	51305	(001424-001505)	Fitting, Draincock, .25npt 90	1	
20	311828	(001424-001505)	Fitting, Brs, Str, Pm08/Pf04	1	
21	392258	(001424-001505)	Hose, Pvc, Clr, 0.38id 0.56od 13.00l	1	
22	64740	(001424-001505)	Fitting, Plstc, Tee, Bm12/Pf08/Bm12	1	
23	1017432	(001424-001505)	Fitting, Hyd, E45, Jm04/Pm08	1	
24	27048	(001424-001505)	Fitting, Brs, E90, Pm04/Pf04	1	
▽	25	1017500	(001424-001505)	Filter, Fuel, Lpg [Coalescent]	1
▲	26	372937	(001424-001505)	Element, Fitr, Fuel Lpg [Coalescent]	1
	27	393905	(001424-001505)	Nut	8
	28	393906	(001424-001505)	Stud	2
	29	393907	(001424-001505)	Washer	-
	30	393898	(001424-001505)	Bolt	3
	31	393908	(001424-001505)	Stud	1
	32	393909	(001424-001505)	Bolt	-
	33	393910	(001424-001505)	Manifold, Intake	1
	34	393911	(001424-001505)	Fitting	1
	35	393912	(001424-001505)	Gasket	1
	36	393913	(001424-001505)	Manifold, Exhaust	1
	37	393914	(001424-001505)	Stud	2
	38	393915	(001424-001505)	Clamp	4
	39	393916	(001424-001505)	Gasket	1
▽	40	371646	(001424-001505)	Adapter Kit, Manifold	1
▲	41	371647	(001424-001505)	Gasket Kit, Manifold	1
	42	371658	(001424-001505)	Shield, Heat	1

Fig. 6 - Engine EFI and Vaporizer Group, LPG (001508-001537)

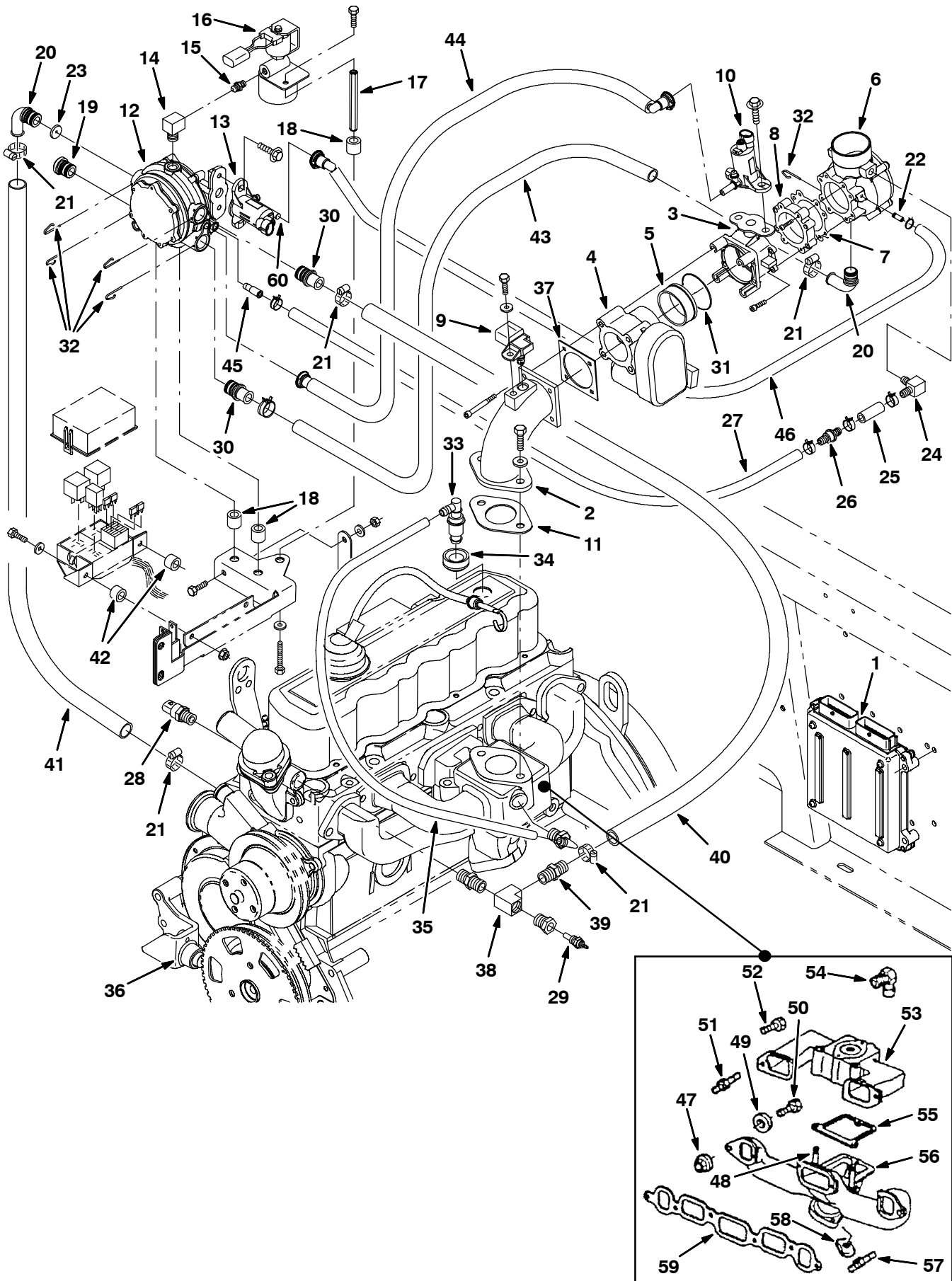


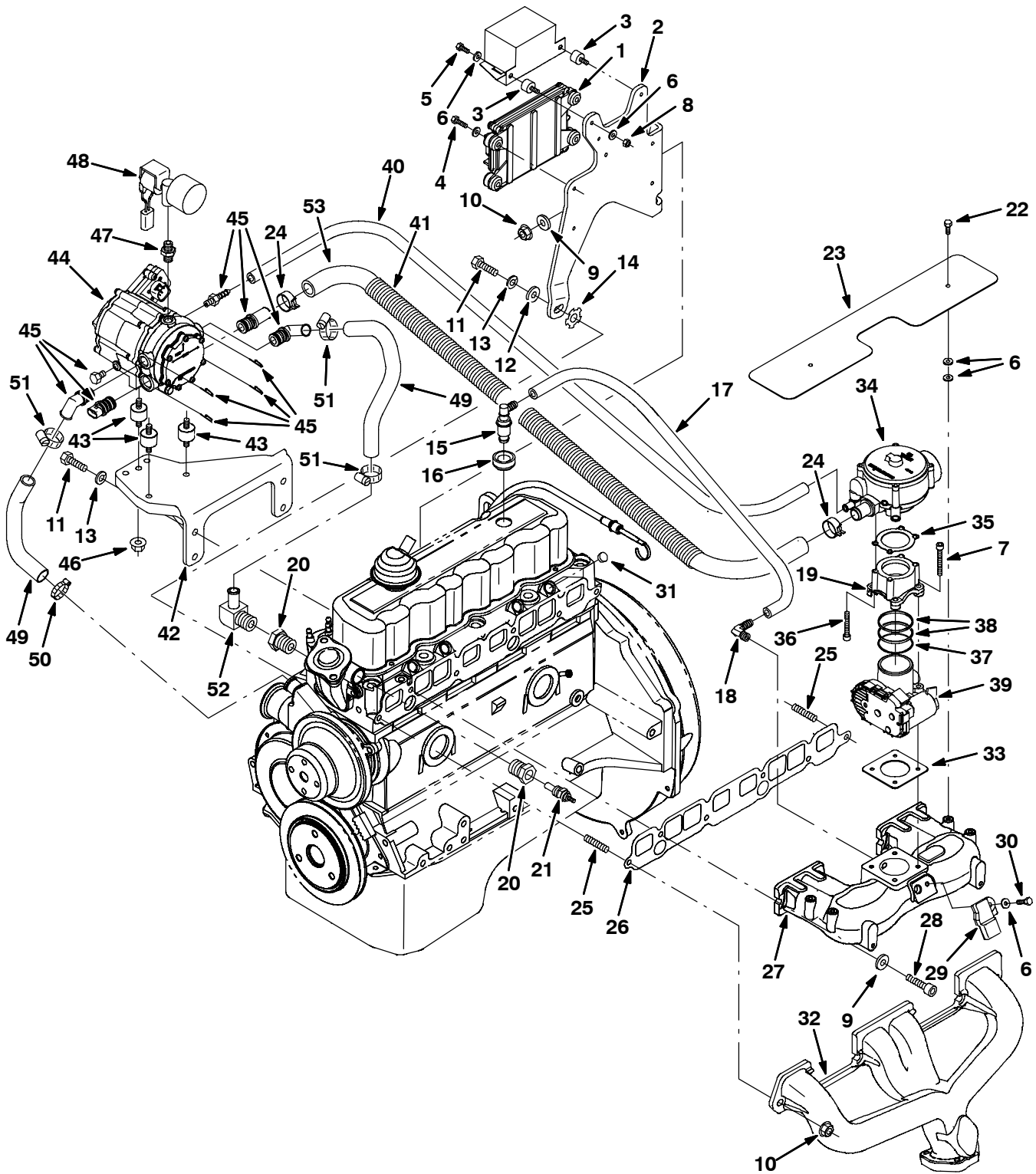
Fig. 6 - Engine EFI and Vaporizer Group, LPG (001508-001537)

Ref.	Part No.	Serial Number	Description	Qty.	
1	372859	(001508-001537)	Module, Ecu, Lpg [GM 3.0]	1	
2	372495	(001508-001537)	Adaptor, Intake, Lpg [3.0]	1	
3	372496	(001508-001537)	Adaptor, Valve, Fuel Trim	1	
4	372482	(001508-001537)	Housing, Throttle, 40mm [Bosch]	1	
5	372498	(001508-001537)	Sleeve, Throttle [Bosch], Plstc	1	
6	372899	(001508-001537)	Housing Assy, Throttle, Lpg [GM 3.0]	1	
7	372608	(001508-001537)	Gasket	1	
8	372612	(001508-001537)	Adapter, Throttle Body	1	
9	372493	(001508-001537)	Sensor, [Tmap]	1	
10	372497	(001508-001537)	Valve, Trim, Fuel, Lpg	1	
11	372490	(001508-001537)	Gasket, Carb	1	
12	372500	(001508-001537)	Converter, Lpg	1	
13	372501	(001508-001537)	Valve, Trim, Press, Lpg	1	
14	372611	(001508-001537)	Fitting, Str, E90, .25npt	1	
15	372610	(001508-001537)	Fitting, Nipple, .25npt, Brs	1	
▽	16	372503	(001508-001537)	Valve, Fuelock, Lpg, W/Wire Connector	1
▲	17	372615	(001508-001537)	Filter Kit, Lpg Lockoff	1
	17	372577	(001508-001537)	Spacer, Sppt, Filter Lock Off	1
	18	372518	(001508-001537)	Isolator Kit, Mtg, Vaporizer, Rbr	3
	19	372515	(001508-001537)	Fitting, Cap	1
	20	372512	(001508-001537)	Fitting, E70	2
	21	63810	(001508-001537)	Clamp, Hose, Wormdrive, 0.56-1.06d	5
	22	372511	(001508-001537)	Fitting, Hose, Vacuum, .25	1
	23	372517	(001508-001537)	Restrictor, Jet, Coolant	1
	24	372510	(001508-001537)	Fitting, E90	1
	25	372507	(001508-001537)	Hose, Balancing, Press, 45mm	1
	26	372569	(001508-001537)	Valve, Check	1
	27	372506	(001508-001537)	Hose, Balancing, Press, 680mm	1
	28	372891	(001508-001537)	Sensor, Temp, Coolant	1
	29	372472	(001508-001537)	Sensor, Temp	1
	30	372514	(001508-001537)	Fitting, Str	2
	31	372484	(001508-001537)	Seal, Org	1
	32	372523	(001508-001537)	Pin, Retainer	5
	33	372483	(001508-001537)	Valve, [Pcv]	1
	34	393984	(001508-001537)	Grommet	1
	35	372489	(001508-001537)	Hose, 9.5mm X 450mm [Pcv]	1
	36	372492	(001508-001537)	Sensor, Speed, Timing Wheel [3.0]	1
	37	372545	(001508-001537)	Gasket, Body, Throttle [1.6]	1
	38	372527	(001508-001537)	Fitting, Pipe, Tee, Pm06/Pf06/Pf06	1
	39	372526	(001508-001537)	Fitting, Hose, 10hose/Pm06	1
	40	372531	(001508-001537)	Hose, Mold, .62 X 37.0	1
	41	372528	(001508-001537)	Hose, Mold, .62 To .75	1
	42	372470	(001508-001537)	Isolator, Box, Relay	1
	43	372508	(001508-001537)	Hose, Fuel, 165mm	1
	44	372504	(001508-001537)	Hose, Valve, Fuel Trim, 325mm	1
	45	372516	(001508-001537)	Fitting, Brs, Adaptor	1
	46	372505	(001508-001537)	Hose, Valve, Press Trim, 405mm	1

Fig. 6 - Engine EFI and Vaporizer Group, LPG (001508-001537)

Ref.	Part No.	Serial Number	Description	Qty.
47	393905	(001508-001537)	Nut	8
48	393906	(001508-001537)	Stud	2
49	393907	(001508-001537)	Washer	-
50	393898	(001508-001537)	Bolt	3
51	393908	(001508-001537)	Stud	1
52	393909	(001508-001537)	Bolt	-
53	393910	(001508-001537)	Manifold, Intake	1
54	393911	(001508-001537)	Fitting	1
55	393912	(001508-001537)	Gasket	1
56	393913	(001508-001537)	Manifold, Exhaust	1
57	393914	(001508-001537)	Stud	2
58	393915	(001508-001537)	Clamp	4
59	393916	(001508-001537)	Gasket	1
60	9004539	(001508-001537)	Clamp, Valve, Trim [Impco]	1

Fig. 7 - Engine EFI and Vaporizer Group, LPG (001538-)



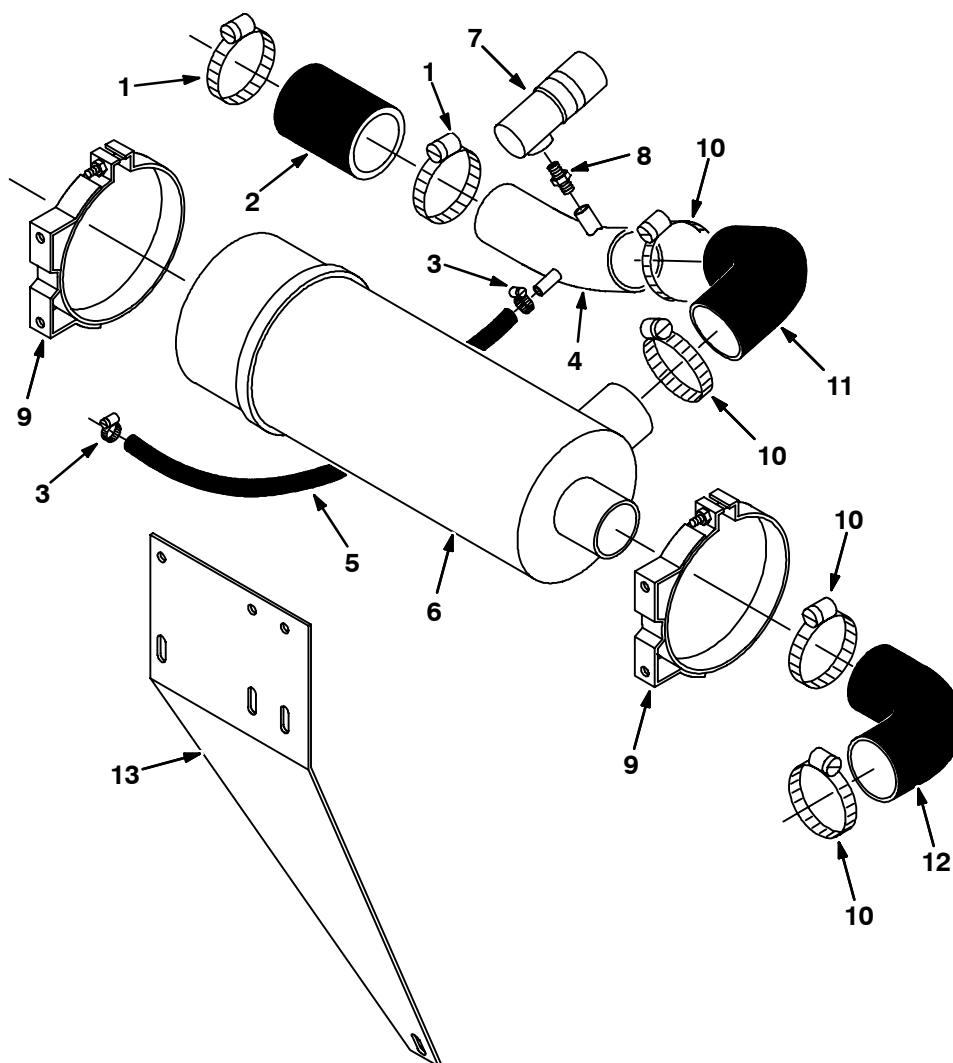
354175 - 550, 1550, 800, LP, Impco

Ref.	Part No.	Serial Number	Description	Qty.
1	1032805	(001538-)	Module, Ecu, Lpg [Gm3.0l 2007]	1
2	385008	(001538-)	Bracket, Box, Relay	1
3	372470	(001538-)	Isolator, Box, Relay	2
4	25047	(001538-)	Screw, Hex, .25-20 X 1.25, G5	4

Fig. 7 - Engine EFI and Vaporizer Group, LPG (001538-)

Ref.	Part No.	Serial Number	Description	Qty.
5	19315	(001538-) Screw, Hex, .25-20 X 0.50, G5	2
6	32490	(001538-) Washer, Flat, 0.25, Std	13
7	385016	(001538-) Screw, Soc, M6 X 1.00 X 70	4
8	19312	(001538-) Nut, Hex, Std, .25-20	2
9	371877	(001538-) Washer, Flat, 0.38, Hardened	5
10	27980	(001538-) Nut, Hex, Flng, .38-16	3
11	371553	(001538-) Screw, .38-16 X 1.00	5
12	371877	(001538-) Washer, Flat, 0.38, Hardened	1
13	371509	(001538-) Washer, Lock, 0.38	5
14	371875	(001538-) Washer, Lock, Int / Ext, 0.38	1
15	372483	(001538-) Valve [Pcv]	1
16	393984	(001538-) Grommet	1
17	385001	(001538-) Hose, Fuel, .38d, Rbr	1
18	385002	(001538-) Fitting, E90	1
19	384996	(001538-) Adapter, Valve, 400mm [Bosch]	1
20	385000	(001538-) Fitting, Bshg	2
21	372472	(001538-) Sensor, Temp	1
22	385007	(001538-) Screw, M6 X 10mm	2
23	385006	(001538-) Shield, Heat, Manifold	1
24	384979	(001538-) Clamp, Hose, Spring, 0.62d	2
25	372466	(001538-) Stud, .38-16 X 1.2l	2
26	385003	(001538-) Gasket, Manifold, Intake	1
27	385004	(001538-) Manifold, Intake [2007]	1
28	10830	(001538-) Screw, Soc, .38-16 X 1.00, Al	4
29	384985	(001538-) Sensor [T Map]	1
30	19317	(001538-) Screw, Hex, .25-20 X 0.75, G5	1
31	372579	(001538-) Plug, Hole, Injector	4
32	385005	(001538-) Manifold, Exhaust [2007]	1
33	372545	(001538-) Gasket, Body, Throttle [1.6l]	1
34	385012	(001538-) Valve, Lpg [Mixer]	1
35	1037313	(001538-) Gasket, Lpg, Adapter [Gm 2007]	1
36	385017	(001538-) Screw, Soc, #12-24 X 1.50	4
37	1037311	(001538-) Seal,Org, Lpg, Mixer [Gm 2007]	1
38	1037312	(001538-) Gasket, Lpg, Mixer [Gm 2007]	2
39	384974	(001538-) Housing, Throttle, 40mm [Bosch]	1
40	384973	(001538-) Hose, Supply, Gas, .25id	1
41	384971	(001538-) Cover, Hose	1
42	385014	(001538-) Bracket [Epr]	2
43	384986	(001538-) Isolator [Epr]	3
44	384977	(001538-) Regulator [Ep]	1
45	384978	(001538-) Fitting Kit [Epr]	1
46	385015	(001538-) Nut, Flng, M8	3
47	372529	(001538-) Fitting, Nipple, .25mal	1
48	384975	(001538-) Valve, Lock Off	1
49	372528	(001538-) Hose, Mold, .62 To .75	2
50	63810	(001538-) Clamp, Hose, Wormdrive, 0.56-1.06d, .56w	1
51	372539	(001538-) Clamp, Hose, 1.0	3
52	385011	(001538-) Fitting, E90	1
53	385013	(001538-) Hose, Mold [Epr To Mixer]	1

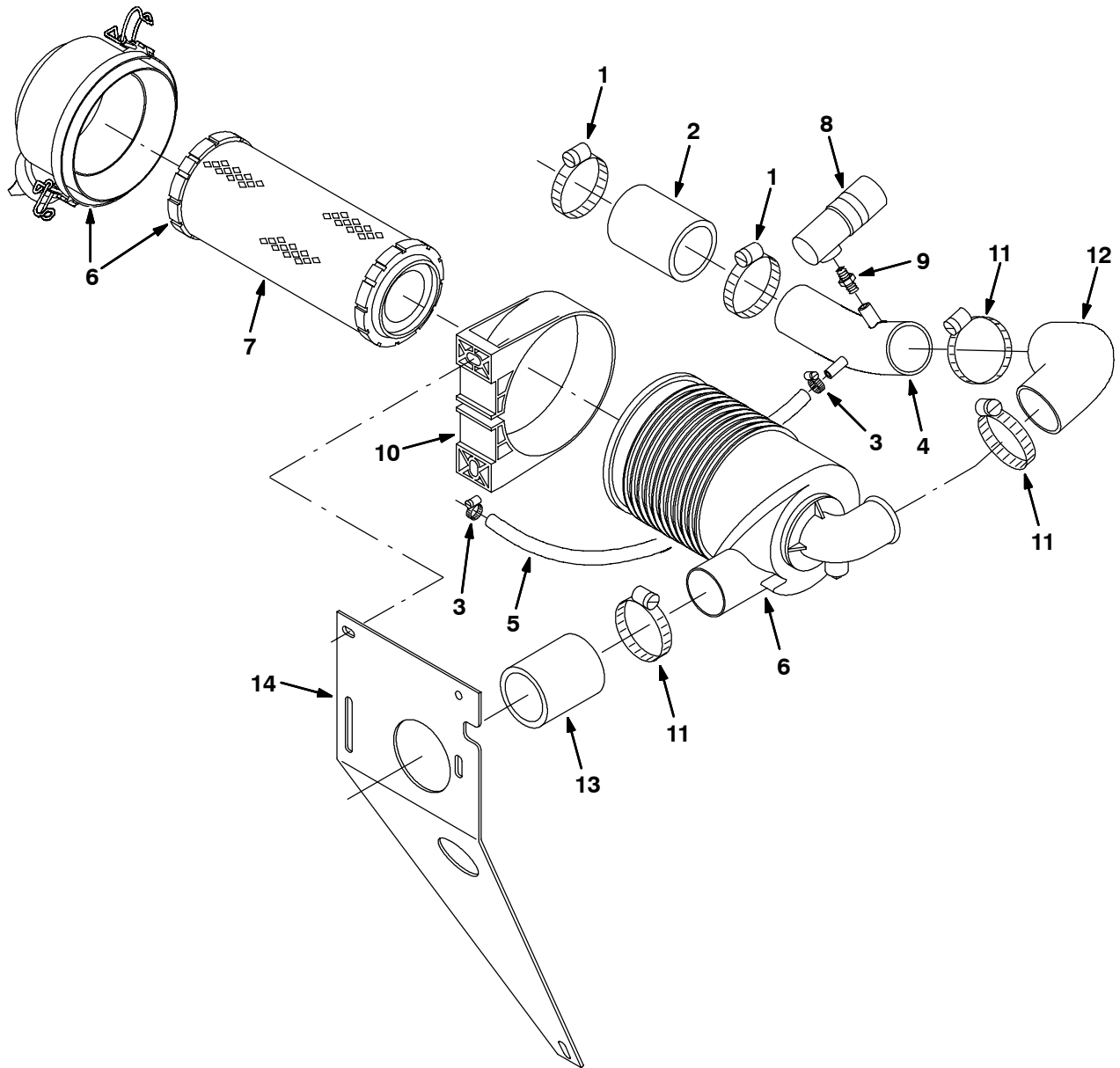
Fig. 8 - Engine Air Cleaner Group, LPG (001000-001402)



00108 - 550, 1550, LP

Ref.	Part No.	Serial Number	Description	Qty.
1	43555	(001000-001402)	Clamp, Worm Drive	2
2	15543-2	(001000-001402)	Coupling, Air Cleaner Tube	1
3	54333	(001000-001402)	Clamp, Worm Drive	2
4	10488	(001000-001402)	Tube, Air Cleaner	1
5	76589-2	(001000-001402)	Hose, Rubber	1
▽	6	398296	Kit, Replacement, Air Cleaner F/76827	1
▲	58120	(001000-001402)	Element, Air Filter	1
7	51658-5	(001000-001402)	Indicator, Filter Service	1
8	51560-5	(001000-001402)	Adapter, Filter, 1/8NPT	1
9	51560-3	(001000-001402)	Clamp, Mounting	2
10	22297	(001000-001402)	Clamp, Worm Drive	4
11	10509	(001000-001402)	Elbow, Air Cleaner	1
12	76825	(001000-001402)	Elbow, Carburetor	1
13	76332	(001000-001402)	Brace, Rear Shroud	1

Fig. 9 - Engine Air Cleaner Group, LPG (001403-001423)



00108 - 550, 1550, LP

Ref.	Part No.	Serial Number	Description	Qty.	
1	43555	(001403-001423)	Clamp, Worm Drive	2	
2	15543-2	(001403-001423)	Coupling, Air Cleaner Tube	1	
3	54333	(001403-001423)	Clamp, Worm Drive	2	
4	10488	(001403-001423)	Tube, Air Cleaner	1	
5	76589-2	(001403-001423)	Hose, Rubber	1	
▽	6	369745	(001403-001423)	Air Cleaner	1
▲	7	369746	(001403-001423)	Element, Air Filter	1
8	51658-5	(001403-001423)	Indicator, Filter Service	1	
9	51560-5	(001403-001423)	Adapter, Filter, 1/8NPT	1	
10	369747	(001403-001423)	Clamp, Mounting	1	
11	22297	(001403-001423)	Clamp, Worm Drive	3	
12	10509	(001403-001423)	Elbow, Air Cleaner	1	
13	15543	(001403-001423)	Elbow, Carburetor	1	
14	369751	(001403-001423)	Brace, Rear Shroud	1	

Fig. 10 - Engine Air Cleaner Group, LPG (001508-)

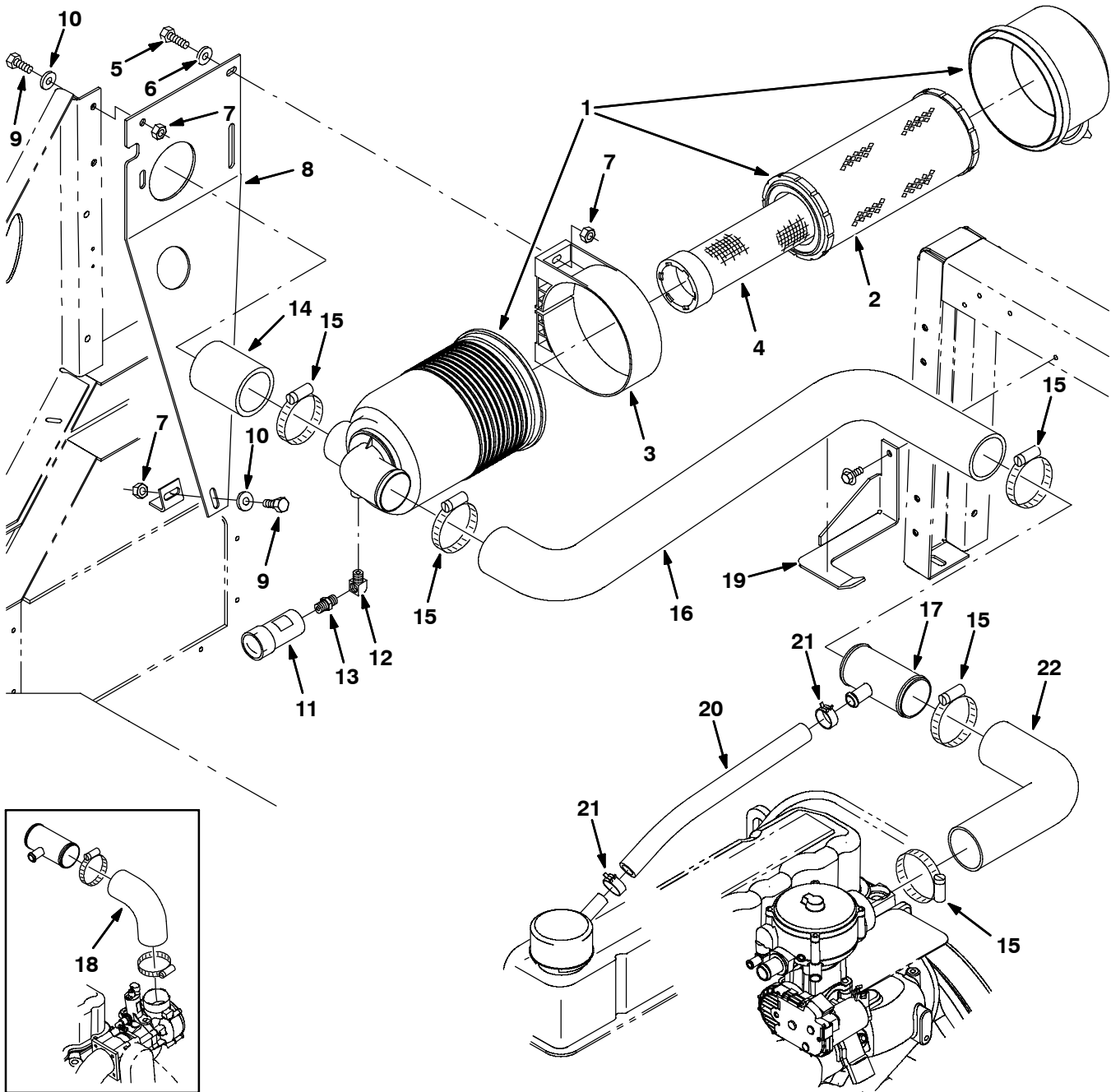


Fig. 10 - Engine Air Cleaner Group, LPG (001508-)

Ref.	Part No.	Serial Number	Description	Qty.
▽	1	369745	(001508-) Filter, Assy, Air	1
▲	2	369746	(001508-) Element, Fltr, Air, [Dn#P831424]	1
	3	369747	(001508-) Clamp, Mtg, Filter, Air	1
	4	398279	(001508-) Element, Fltr, Air, [Dnp822858] Safety	1
	5	76955	(001508-) Screw, Hex, .31-18 X 1.00, 5	2
	6	39349	(001508-) Washer, Flat, 0.31 Sae	2
	7	32983	(001508-) Nut, Hex, Lock, .31-18, NI	5
	8	369751	(001508-) Brace, Rear Shroud	1
	9	54396	(001508-) Screw, Hex, .31-18 X 0.75, 5	3
	10	32491	(001508-) Washer, Flat, 0.31 Std	3
	11	03026	(001508-) Indicator, Service, Air Filter 20h20 Dn	1
	12	11984	(001508-) Fitting, Pipe, E90, Pm02/Pf02	1
	13	51560-5	(001508-) Fitting, Brs, Str, Pm02, Service	1
	14	15543	(001508-) Hose, Rbr, 2.00id 2.50od 03.0l	1
	15	22297	(001508-) Clamp, Hose, Wormdrive, 1.56-2.50d, .50w	5
	16	1014712	(001508-) Hose, Intake, Mold, E90 E90 2.0id 2.0id	1
	17	1011780	(001508-) Tube Wldt, Tee	1
	18	76825	(001508-001537) Hose, Rbr, E90 2.00id 2.00id 03.5 03.5	1
	19	1016171	(001508-) Bracket, Sppt, Hose	1
	20	13124	(001508-) Hose, Heater, 0.62id 18.0l	1
	21	1011899	(001508-) Clamp, Hose, Spring Stl, 0.86d X 0.38w	2
	22	1032757	(001538-) Hose, Intake, Mold, E90, 2.0id[550/1550]	1

Fig. 11 - Instrument Panel Group, LPG (001508-)

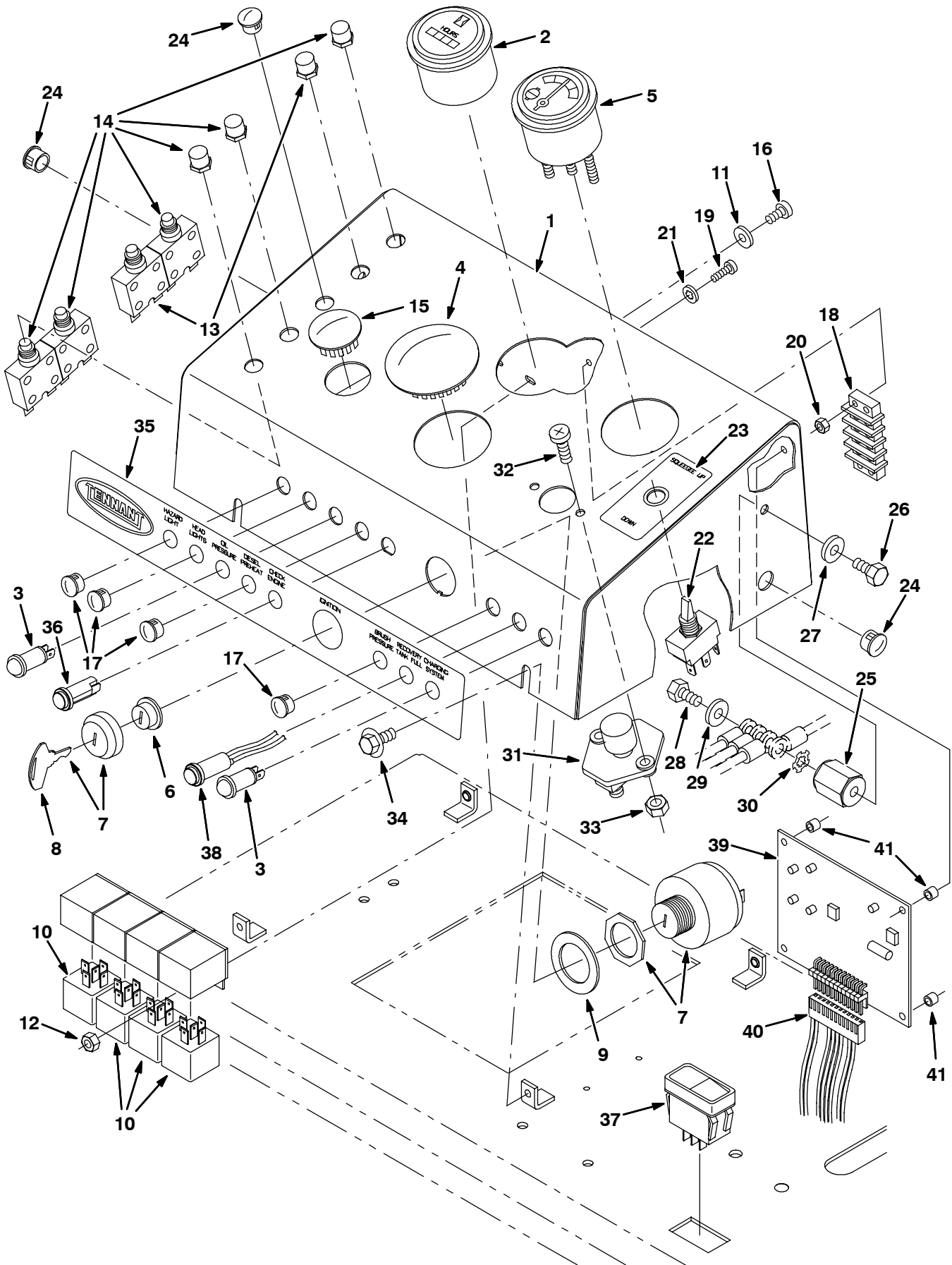
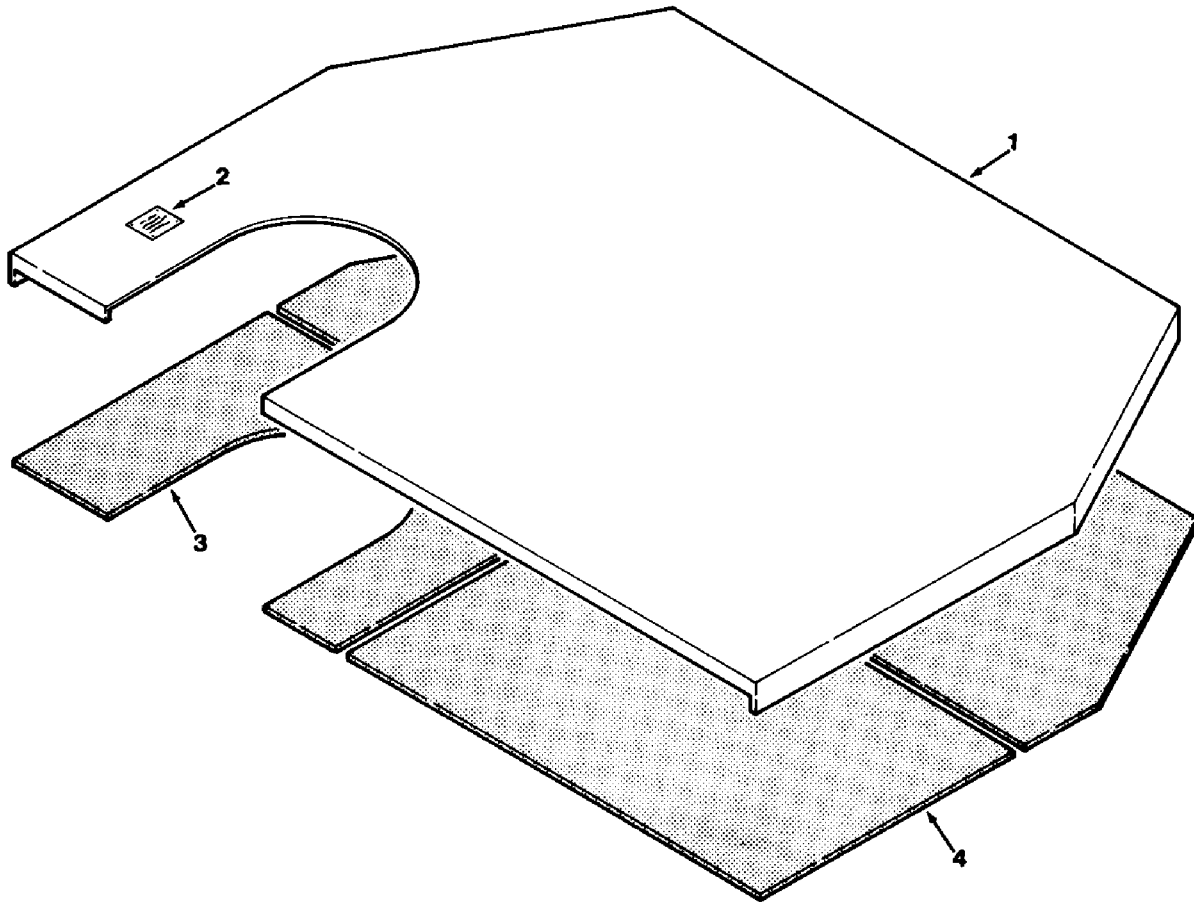


Fig. 11 - Instrument Panel Group, LPG (001508-)

Ref.	Part No.	Serial Number	Description	Qty.	
1	1015379	(001508-) Panel Wldt, Console, Instmt [550]	1	
2	34810	(001508-) Hourmeter, 12-24vdc, Analog, Rnd	1	
3	34820	(001508-) Light, Panl, 14vdc, Red, 0.6d	2	
4	47178-12	(001508-) Button, Plug, 2.09h .05-.06 [Chm Stl]	1	
5	50330	(001508-) Gauge, Temp, 100-260 2.3d 12vdc	1	
6	382516	(001508-) Boot, Switch	1	
▽	7	87536	(001508-) Switch, Ign [Ku]	1
▲	8	87866	(007006) Key, Ignition, [Set Of 2]	1
9	73736	(001508-) Washer, 1.15b 1.75d .08, Stl	1	
10	57804	(001508-) Relay, 12vdc, 40a, Spdt, [Potter]	4	
11	19065	(001508-) Washer, Flat, #08	4	
12	45181	(001508-) Nut, Hex, Lock, #10-24, NI	4	
13	383723	(001508-) Circuitbreaker, 20.0a, Resetable	1	
14	383722	(001508-) Circuitbreaker, 15.0a	3	
15	47178-13	(001508-) Button, Plug, 1.25h .06-.09 [Chrome Stl]	1	
16	39648	(001508-) Screw, Pan, #10-24 X 0.38, 1	4	
17	56992	(001508-) Button, Plug, 0.50h .03-.12 [Black Nyl]	4	
18	26523	(001508-) Block, Terminal, 4 Connector	1	
19	32517	(001508-) Screw, Pan, #08-32 X 0.62, 1	1	
20	19310	(001508-) Nut, Hex, Std, #08-32	1	
21	32978	(001508-) Washer, Lock, Int, #08	1	
22	76306	(001508-) Switch, Toggle, 250vac 10a On/On	1	
23	76234	(001508-) Label, Control, Sqge	1	
24	02431	(001508-) Button, Plug, 0.56h .03-.12 [Black Nyl]	3	
25	76062	(001508-) Insulator, Panel & Switchboard	1	
26	19316	(001508-) Screw, Hex, .25-20 X 0.62, 5	1	
27	41185	(001508-) Washer, Belleville, .25	1	
28	19315	(001508-) Screw, Hex, .25-20 X 0.50, 5	1	
29	32490	(001508-) Washer, Flat, 0.25 Std	1	
30	41141	(001508-) Washer, Lock, Int-Ext, .31	1	
31	44078	(001508-) Switch, Push, 12vdc 80a Spst No	1	
32	39712	(001508-) Screw, Pan, .25-20 X 0.75, 2	2	
33	75934	(001508-) Nut, Hex, Lock, .25-20, NI	2	
34	16949	(001508-) Screw, Hex, .25-20 X 0.75, Sems	4	
35	1015389	(001508-) Label, Console, Instmt	1	
36	1012185	(001508-) Light, Warning, Check Engine, Amb, 14 Vdc	1	
37	371580	(001508-) Switch, Speed, Eng	1	
38	374119	(001508-) Light, Indicator, 14vdc Red	1	
	45333	(001508-) Terminal, Spade, #10stud, 14/16awg	1	
	45224	(001508-) Terminal, Qdc, [.25f, Insf,14]	1	
39	64795C-1	(001508-) P.c.board, Level Sensing-compl	1	
40	391905	(001508-) Harness, Sensing, Level, Srs [1550]	1	
41	64921	(001508-) Spacer	4	

Fig. 12 - Engine Cover Group, LPG (001000-001423)



01733 - 550, 1550, LP

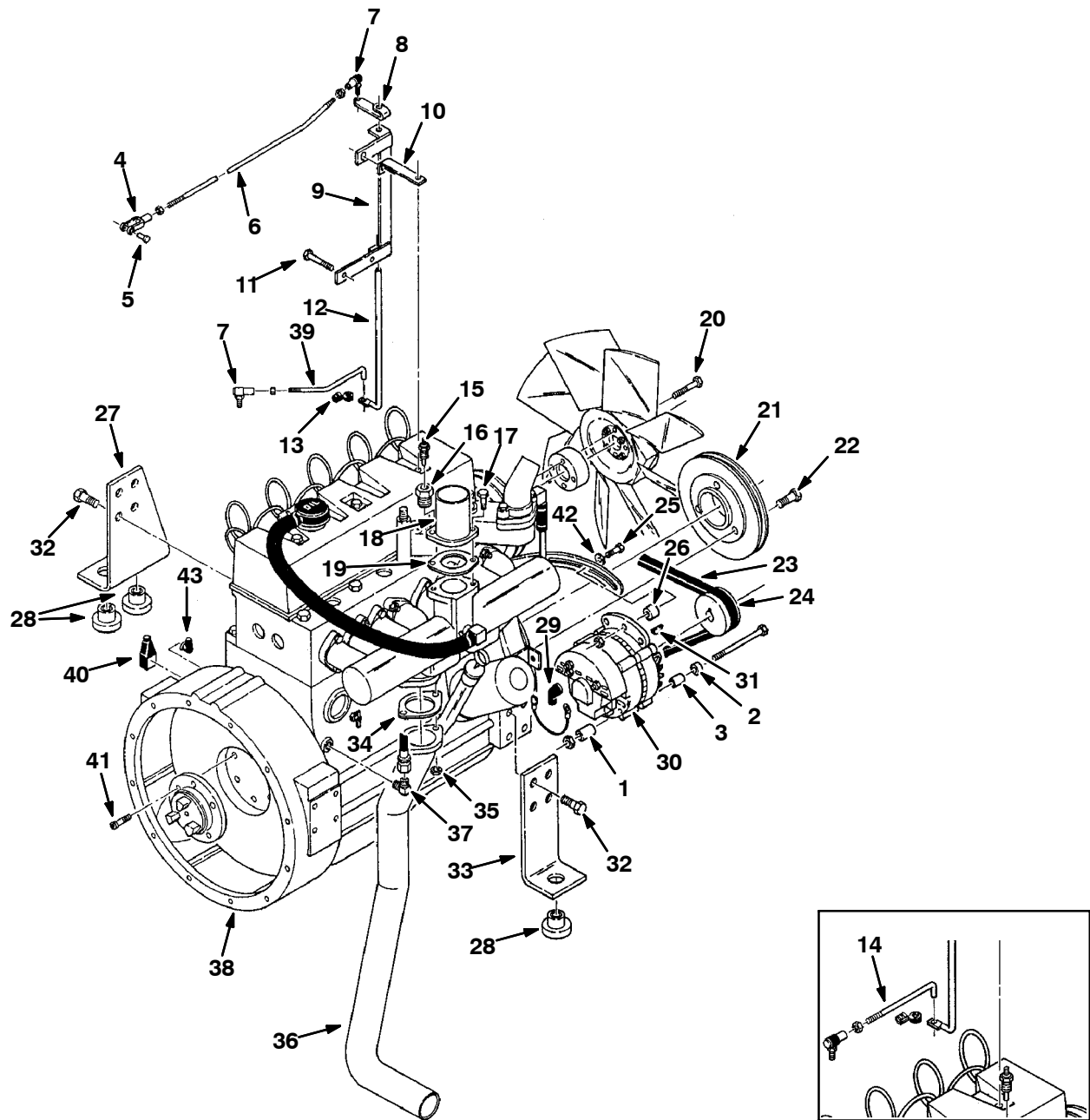
Ref.	Part No.	Serial Number	Description	Qty.
▽	1	78017	(001000-001423) Door, Engine Cover	1
▲	2	58067	(001000-001423) Data Plate, LPG	1
	3	78013	(001000-001423) Insulation, Tank Opening	1
	4	78014	(001000-001423) Insulation, Engine Cover	1

NOTE: To identify parts shown but not listed here, see Section 6, Standard Parts.

SECTION 8

Contents	Page	Contents	Page
Fig. 1 - Engine Group, Diesel (001000-001423) .	8-2	Fig. 29 - Hydraulic Filter Group, Diesel	
Fig. 2 - Engine Group, Diesel (001424-001505) .	8-4	(001104-)	8-48
Fig. 3 - Engine Group, Diesel (001508-) . .	8-6	Fig. 30 - Electrical Schematic, Diesel	
Fig. 4 - Engine Throttle Group, Diesel		(001000-001423)	8-49
(001508-)	8-8	Fig. 31 - Electrical Schematic, Diesel	
Fig. 5 - Engine Oil Filter and Drain Group,		(001424-001505)	8-50
Diesel (001424-001505)	8-10	Fig. 32 - Electrical Schematic, Diesel	
Fig. 6 - Engine Muffler Group, Diesel		(001508-)	8-54
(001424-001505)	8-12	Fig. 33 - Electrical Wire Harnesses Group,	
Fig. 7 - Engine Muffler Group, Diesel		Diesel (001508-)	8-57
(001508-)	8-14	Fig. 34 - Instrument Panel Group, Diesel	
Fig. 8 - Engine Fuel Tank Group, Diesel		(001508-)	8-64
(001000-001423)	8-16	Fig. 35 - Vacuum Fan Assembly, Diesel	
Fig. 9 - Engine Fuel Tank Group, Diesel		(001000-)	8-66
(001424-001505)	8-18		
Fig. 10 - Engine Fuel Tank Group, Diesel			
(001508-)	8-20		
Fig. 11 - Engine Alternator Group, Diesel			
(001424-001505)	8-22		
Fig. 12 - Engine Radiator Group, Diesel			
(001000-001423)	8-23		
Fig. 13 - Engine Radiator and Hydraulic Cooler			
Group, Diesel (001424-001505)	8-24		
Fig. 14 - Engine Radiator and Hydraulic Cooler			
Group, Diesel (001508-)	8-26		
Fig. 15 - Engine Air Cleaner Group, Diesel			
(001000-001423)	8-28		
Fig. 16 - Engine Air Cleaner Group, Diesel			
(001424-001505)	8-29		
Fig. 17 - Engine Air Cleaner Group, Diesel			
(001508-)	8-30		
Fig. 18 - Engine Glow Plug Control Group,			
Diesel (001000- 001423)	8-32		
Fig. 19 - Engine Glow Plug Control Group,			
Diesel (001424-001505)	8-33		
Fig. 20 - Engine Battery Group, Diesel			
(001000-001505)	8-34		
Fig. 21 - Engine Battery Group, Diesel			
(001508-)	8-35		
Fig. 22 - Steering Column Group, Diesel			
(001000-)	8-36		
Fig. 23 - Hydraulic Directional Pedal Group,			
Diesel (001104-)	8-38		
Fig. 24 - Hydraulic Schematic, Diesel			
(001000-)	8-40		
Fig. 25 - Hydraulic Hoses Group, Diesel			
(001104-)	8-42		
Fig. 26 - Hydraulic Control Valves Group,			
Diesel (001000-)	8-44		
Fig. 27 - Hydraulic Reservoir Group, Diesel			
(001000-)	8-47		
Fig. 28 - Hydraulic Pumps Group, Diesel			
(001104-)	8-48		

Fig. 1 - Engine Group, Diesel (001000-001423)



02385 - 1550, D

Ref.	Part No.	Serial Number	Description	Qty.
1	08891	(001000-001423)	Sleeve	1
2	36417	(001000-001423)	Sleeve	1
3	57311	(001000-001423)	Bushing	1
4	14595-1	(001000-001423)	Clevis, Adjustable	1
5	14605	(001000-001423)	Pin, Clevis	1
6	16551	(001000-001423)	Rod, Throttle	1

Fig. 1 - Engine Group, Diesel (001000- 001423)

Ref.	Part No.	Serial Number	Description	Qty.	
7	14601	(001000-001423)	Ball Joint	2	
8	15785	(001000-001423)	Arm	1	
9	16556	(001000-001423)	Bracket, Throttle	1	
10	16557	(001000-001423)	Angle, Mounting Bracket	1	
11	16931	(001000-001423)	Screw, Hex, M8	2	
12	16552	(001000-001423)	Rod, Vertical Throttle	1	
13	15806	(001000-001423)	Clip, Rod End	1	
14	16550	(001000-001423)	Rod, Throttle	1	
15	78005-2	(001000-001423)	Sending Unit, Temperature	1	
16	78170	(001000-001423)	Fitting, Straight	1	
17	39277	(001000-001423)	Screw, Hex, M8	2	
18	16499	(001000-001423)	Tube, Air Intake	1	
19	34954	(001000-001423)	Gasket, Intake	1	
20	39278	(001000-001423)	Screw, Hex, M8	4	
21	391800	(001000-001423)	Sheave	1	
22	39284	(001000-001423)	Screw, Hex, M10	3	
23	34194	(001000-001423)	V-belt	1	
24	34833	(001000-001423)	Pulley, Alternator	1	
25	41342	(001000-001423)	Screw, Hex, M8	1	
26	08892	(001000-001423)	Sleeve	1	
27	65894	(001000-001423)	Mount, Engine, R.H.	1	
28	51176	(001000-001423)	Dampner, Engine	5	
29	34065	(001000-001423)	Boot	1	
▽	30	03233	(001000-001423)	Alternator	1
▲		61515	(001000-001423)	Diode and Rectifier Assembly	1
▲		61516	(001000-001423)	Brush Assembly	2
▲		01844	(001000-001423)	Bearing, Ball	1
▲		61517	(001000-001423)	Regulator, Voltage	1
▲	31	00500-5	(001000-001423)	Key, Woodruff	1
	32	41348	(001000-001423)	Screw, Hex, M14	8
	33	16490	(001000-001423)	Bracket, Engine Mounting	1
	34	34908	(001000-001423)	Gasket, Tail Pipe	1
	35	39312	(001000-001423)	Nut, M10	2
	36	16496	(001000-001423)	Pipe, Exhaust	1
	37	06507	(001000-001423)	Fitting, Elbow	1
	38	61697	(001000-001055)	Engine, (Replaced by 65951) (See 61697 Continental Engine Breakdown, Diesel)	1
	38	65951	(001056-001423)	Engine, Diesel, TM27, (See 65951 Continental Engine Breakdown, Diesel)	1
	39	65967	(001056-001423)	Rod, Throttle	1
	40	68872	(001000-001423)	Boot, Battery	1
	41	41358	(001000-001423)	Screw, Socket, Metric	6
	42	41187	(001000-001423)	Washer, Belleville	1
	43	02076	(001000-001423)	Cover, Terminal	1
		32814	(001000-001423)	Label, Throttle and Solution Control	1
		16933	(001000-001423)	Wire Assembly, No. 46	1
		50456	(001000-001423)	Terminal, Quick-Disconnect	1

Fig. 2 - Engine Group, Diesel (001424-001505)

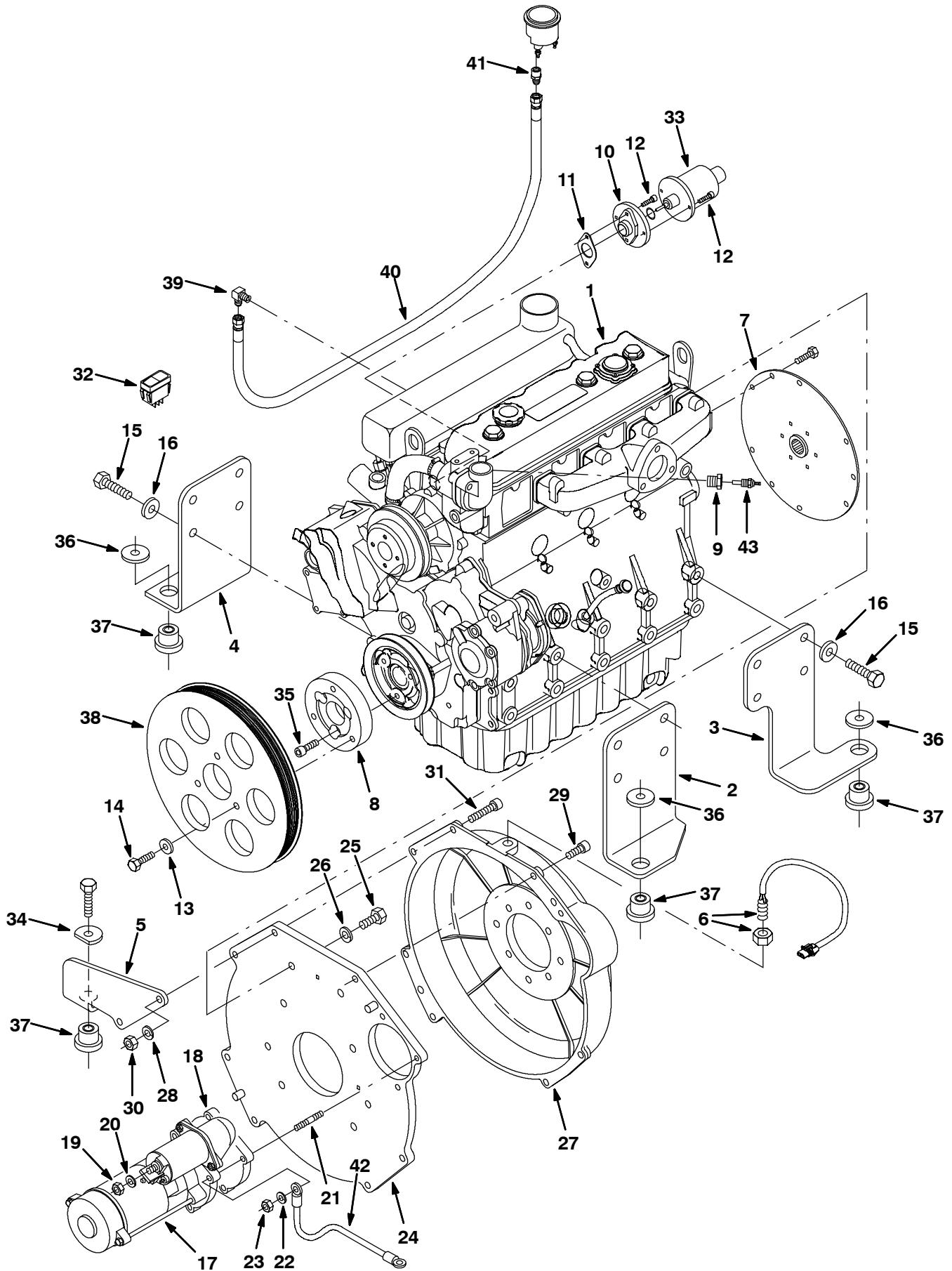


Fig. 2 - Engine Group, Diesel (001424-001505)

Ref.	Part No.	Serial Number	Description	Qty.
1	1049364	(001424-001505)	Block, Long [Reman] (See Perkins Engine Breakdown, Diesel)	1
2	371587	(001424-001505)	Mount, Left Front	1
3	371588	(001424-001505)	Mount, Left Rear	1
4	371589	(001424-001505)	Mount, Right Front	1
5	371590	(001424-001505)	Mount, Right Rear	1
6	371600	(001424-001505)	Sensor, Magnet	1
7	371606	(001424-001505)	Coupling	1
8	371609	(001424-001505)	Adaptor, Cshaft Pulley	1
9	24698	(001424-001505)	Fitting, Brs, Str, Pf02/Pm06	1
10	71384	(001424-001505)	Adaptor, Actuator, Governor/Eng, Dsl	1
11	70165	(001424-001505)	Gasket, Throttle	1
12	71388	(001424-001505)	Screw, Soc, M06 X 1.0 X 16, 12.9	4
13	32491	(001424-001505)	Washer, Flt, .31 Std	3
14	39670	(001424-001505)	Screw, Hex, .38-24 X 1.50, 5	3
15	371618	(001424-001505)	Screw, Hex, M14-20 X 30, 10.9	12
16	371617	(001424-001505)	Washer, M14, Hardened	12
17	371622	(001424-001505)	Starter	1
18	371624	(001424-001505)	Spacer, Starter	1
19	371613	(001424-001505)	Nut, M10-1.50	1
20	371614	(001424-001505)	Washer, Lock, M10	1
21	371625	(001424-001505)	Stud, .38-16 X 2.25, 5	3
22	371626	(001424-001505)	Washer, Lock, .38	3
23	371627	(001424-001505)	Nut, .38-24	3
24	371628	(001424-001505)	Plate, Rear Mounting	1
25	371634	(001424-001505)	Screw, M12-1.75 X 30	8
26	371629	(001424-001505)	Washer, Lock, M12	8
27	371630	(001424-001505)	Housing, [Ktr]	1
28	371631	(001424-001505)	Washer, Lock, .44	2
29	371638	(001424-001505)	Screw, Soc, .44-20 X 1.00, 5	5
30	371632	(001424-001505)	Nut, .44-20	2
31	371640	(001424-001505)	Screw, Soc, .44-20 X 2.00	2
32	371636	(001424-001505)	Switch, Hi Low	1
33	71385	(001424-001505)	Actuator, Governor, Die	1
34	392550	(001424-001505)	Washer, Flat, Perkins, [550/1550]	1
35	39309	(001424-001505)	Screw, Soc, M10 X 1.5 X 25, 12.9	3
36	51564	(001424-001505)	Washer, 0.53b 1.75d .12, Stl, PI	3
37	51176	(001424-001505)	Dampener, Eng	4
38	391800	(001424-001505)	Sheave, [Poly-V], 12.6d, 8grv, 2.50b	1
39	06507	(001424-001505)	Fitting, Brs, E90, Pm02/Sm04	1
40	32552	(001424-001505)	Hose, Lpg, Med04, Jf04str/Jf04str, 48.0l	1
41	11979	(001424-001505)	Fitting, Brs, Str, Pm02/Sm04	1
42	29832-7	(001424-001505)	Cable, Grounding	1
43	78005-2	(001424-001505)	Send-unit, Water, Temp, 04npt	1

Fig. 3 - Engine Group, Diesel (001508-)

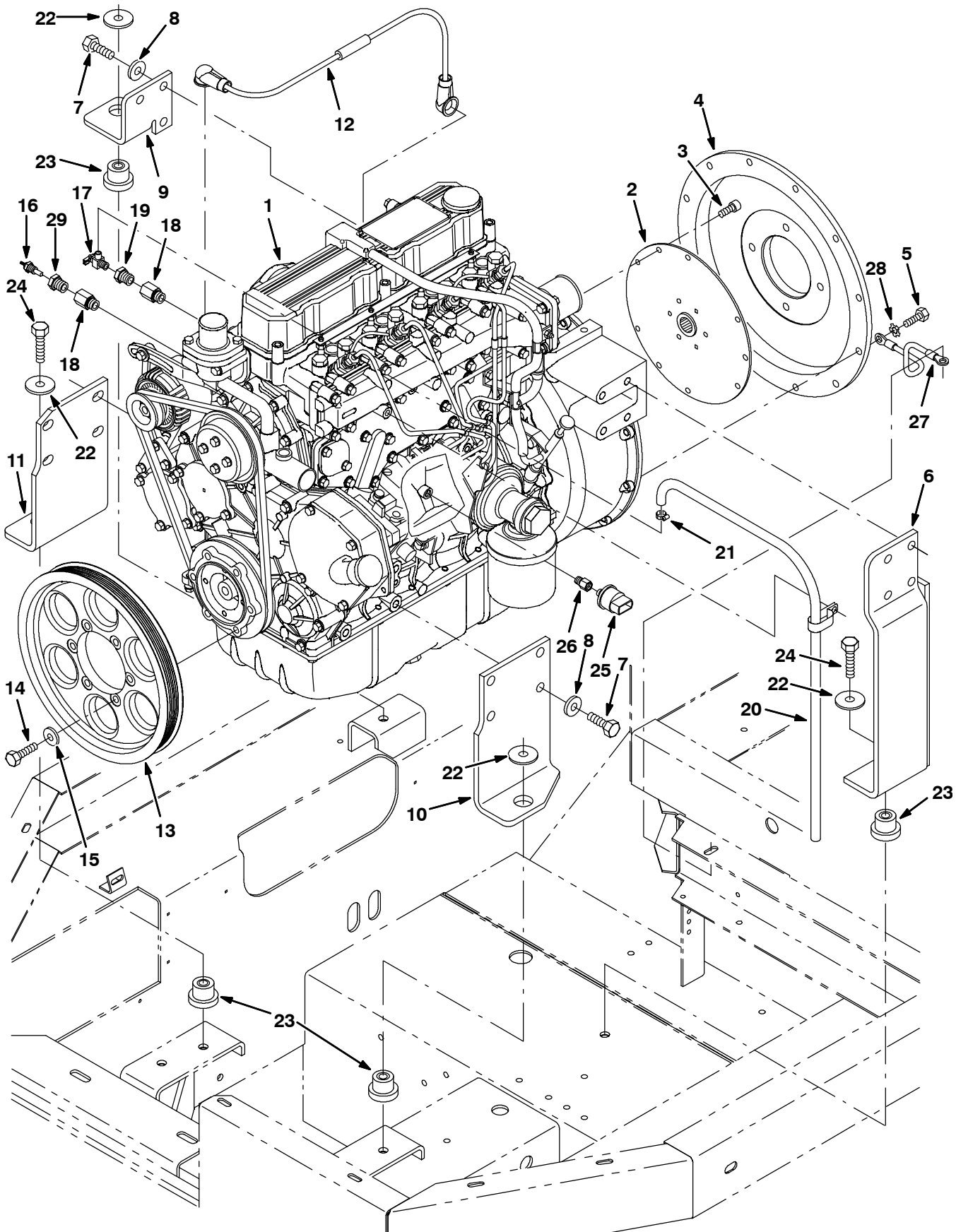


Fig. 3 - Engine Group, Diesel (001508-)

Ref.	Part No.	Serial Number	Description	Qty.
1	1011676	(001508-001546)	Engine Assy, Dsl [550/1550] (See 1011676 Cat Engine Breakdown, Diesel)	1
1	1040607	(001549-)	Engine, Dsl, 63hp [Cat 3.4 2008] [550/1550] (See 1040607 Cat Engine Breakdown, Diesel)	1
2	35980	(001508-)	Coupling, Drive, Flex, 10.3d/15tooth	1
3	39309	(001508-)	Screw, Soc, M10 X 1.5 X 25, 12.9	6
4	380520	(001508-)	Housing, Flywheel, Mach, [704] Perk	1
5	03192	(001508-)	Screw, Hex, M10 X 1.5 X 30, 8.8	12
6	1010843	(001508-)	Bracket Wldt, Mtg, Rear, Rh	1
7	06968	(001508-)	Screw, Hex, M12 X 1.75 X 35, 8.8	15
8	32493	(001508-)	Washer, Flat, 0.50 Std	15
9	1010739	(001508-)	Bracket, Mtg, Rear, Lh	1
10	1010738	(001508-)	Bracket, Mtg, Front, Rh	1
11	1010735	(001508-)	Bracket, Mtg, Front, Lh	1
12	1011701	(001508-)	Wire Assy, 4ga, 150 Amp Fuse	1
13	1012192	(001508-)	Sheave, 8grv, 12.6d, 4.10b	1
14	39284	(001508-)	Screw, Hex, M10 X 1.5 X 35, 8.8	6
15	32492	(001508-)	Washer, Flat, 0.38 Std	6
16	78005-2	(001508-)	Send-unit, Water, Temp, 04npt	1
17	51305	(001508-)	Fitting, Draincock, .25npt 90	1
18	1015762	(001508-)	Fitting, Hyd, Str, Metric, Om16/Pf06	2
19	1016383	(001508-)	Fitting, Brs, Str, Pm06/Pf04	1
20	63182-2	(001508-)	Hose, Pvc, Clr, 0.38id 0.56od 36.00l	1
21	43844	(001508-)	Clamp, Hose, Wormdrive, 0.25-0.62d, .31w	1
22	51564	(001508-)	Washer, Flat, 0.53b 1.75d .12, Stl, Pl	4
23	51176	(001508-)	Isolator, Vib, Dia .50 [Ko]	4
24	48665	(001508-)	Screw, Hex, .50-13 X 2.00, NI	4
25	79399	(001508-)	Switch, Press, 12vdc 02a Dpdt N 0006psi	1
26	1011973	(001508-)	Fitting, Hyd, Str, 02bsppm/Pf02	1
27	57773	(001508-)	Wire Assy, 06ga 13.0l Blk .41h/ .41h	1
28	41142	(001508-)	Washer, Lock, Int-Ext, .38	1
29	24698	(001508-)	Fitting, Brs, Str, Pf02/Pm06	1

Fig. 4 - Engine Throttle Group, Diesel (001508-)

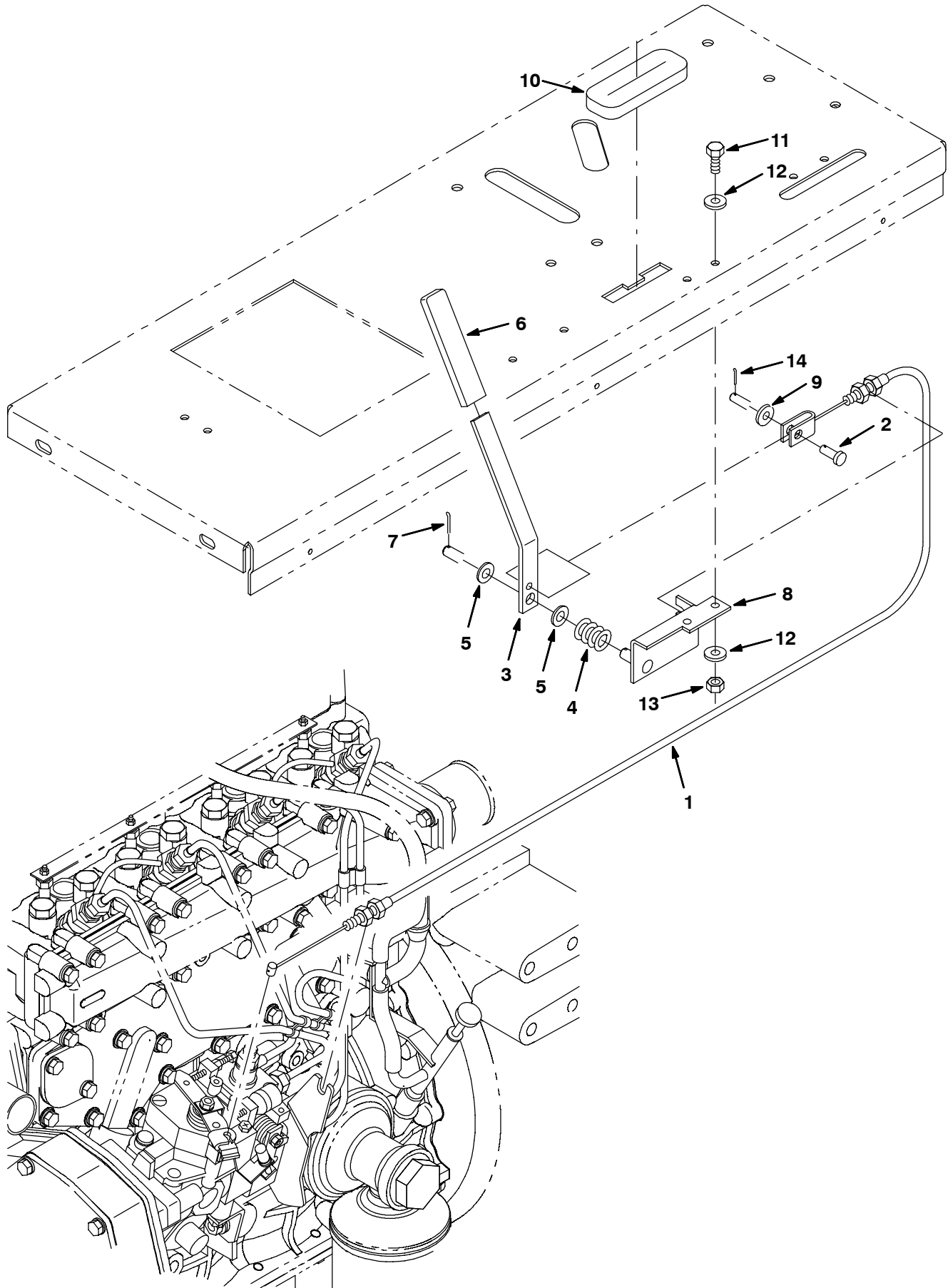


Fig. 4 - Engine Throttle Group, Diesel (001508-)

Ref.	Part No.	Serial Number	Description	Qty.
1	73799	(001508-) Cable, Pull, 70.5l, .3clevis/.23ball	1
2	14605	(001508-) Pin, Clevis, 0.25 D X 0.75l	1
3	70752	(001508-) Handle, Throttle, Dsl	1
4	69495	(001508-) Spring, Cmpr, 18.3d, 2.0w, 16.5l Mw Zn	1
5	43611	(001508-) Washer, Flat, 0.39b 0.75d .06, Nyl	2
6	87246	(001508-) Grip, Vyl, .18 X .75 X 4.00	1
7	39005	(001508-) Pin, Cotter, .094 X 0.75	1
8	77693	(001508-) Plate Wldt, Angle	1
9	32490	(001508-) Washer, Flat, 0.25 Std	1
10	77789	(001508-) Seal, Ure, 0.50th, 1.50w X 05.0l, Slit	1
11	06942	(001508-) Screw, Hex, M6 X 1.0 X 16, 8.8	2
12	19066	(001508-) Washer, Flat, #10	4
13	08708	(001508-) Nut, Hex, Lock, M6 X 1.0, NI	2
14	08178	(001508-) Pin, Cotter, .062 X 0.75	1

Fig. 5 - Engine Oil Filter and Drain Group, Diesel (001424-001505)

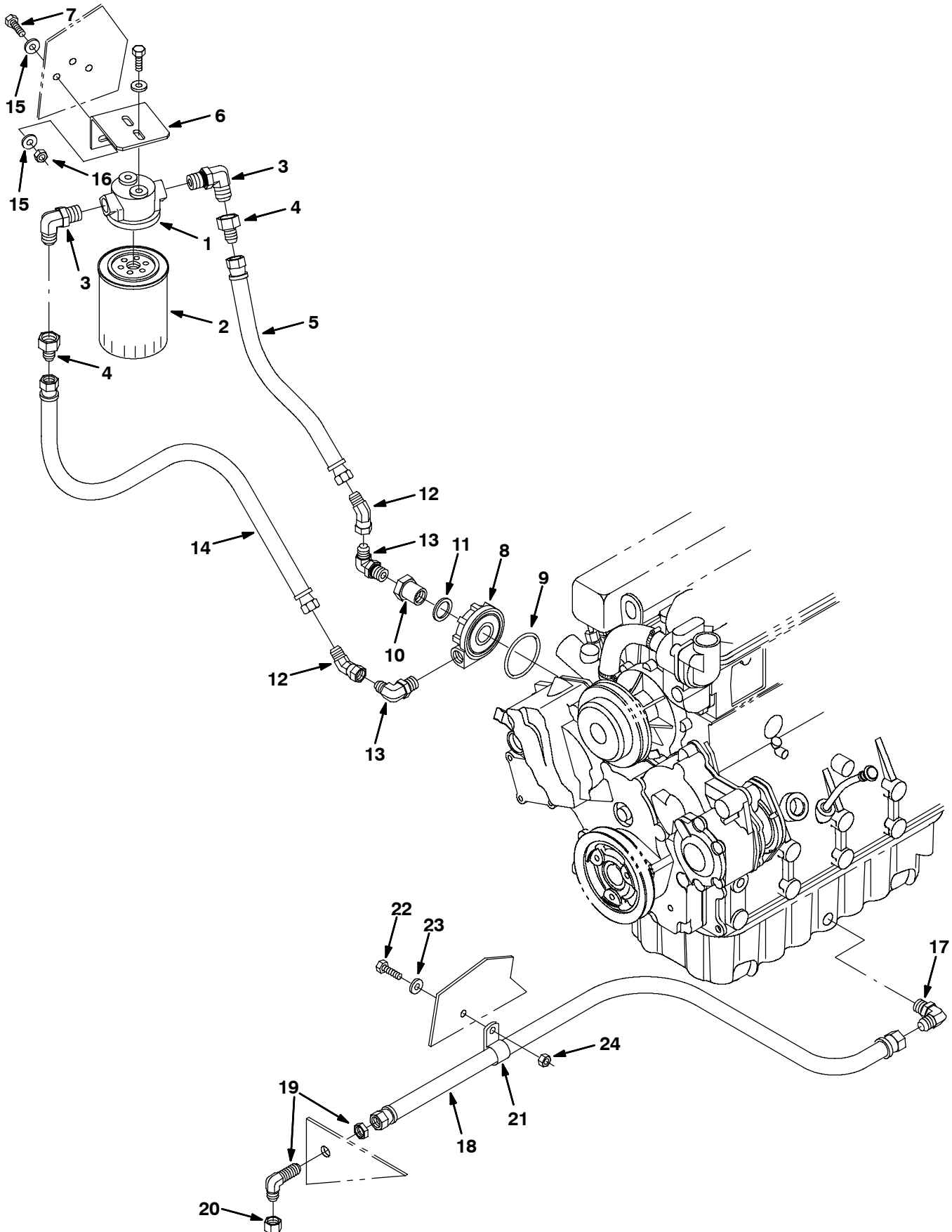


Fig. 5 - Engine Oil Filter and Drain Group, Diesel (001424-001505)

Ref.	Part No.	Serial Number	Description	Qty.
1	380564	(001424-001505)	Filter Head, Oil, Rework	1
2	371637	(001424-001505)	Filter, Oil, (Diesel)	1
3	51782	(001424-001505)	Fitting, Hyd, E90, Jm10/Om10	2
4	47754	(001424-001505)	Fitting, Hyd, Str, Jm06/Jf10	2
5	392552	(001424-001505)	Hose, Hyd,Low06, Jf06str/Jf06str, 13.0	1
6	392547	(001424-001505)	Bracket, Fltr, Oil	1
7	76956	(001424-001505)	Screw, Hex, .31-18 X 1.25, 5	3
8	380547	(001424-001505)	Adaptor, Fltr, Oil, Rework	1
9	73292	(001424-001505)	Seal, O-Ring	1
10	380548	(001424-001505)	Fitting, Adaptor, Fltr, Oil, Rework	1
11	73293	(001424-001505)	Gasket	1
12	16472	(001424-001505)	Fitting, Hyd, E45, Jm06/Jf06	2
13	47512	(001424-001505)	Fitting, Hyd, E90, Jm06/Om08	2
14	62878	(001424-001505)	Hose, Hyd,Low06, Jf06str /Jf06str , 22.0	2
15	32491	(001424-001505)	Washer, Flt, .31 Std	6
16	32983	(001424-001505)	Nut, Hex, Lock, .31-18, NI	3
17	371602	(001424-001505)	Fitting, Pipe, E90, .75-16	1
18	371603	(001424-001505)	Hose, Oil Drain	1
19	34365	(001424-001505)	Fitting, Hyd, E90, Jm08/Jm08 Bh	1
20	60090	(001424-001505)	Fitting, Hyd, Cap Jf08	1
21	82829	(001424-001505)	Clamp, Cable, Stl, 0.63d X 0.75w, 1h	1
22	42370	(001424-001505)	Screw, Hex, .31-18 X 1.25, Ss	1
23	01685	(001424-001505)	Washer, Flt, .31 Ss	1
24	41437	(001424-001505)	Nut, Hex, Lock, .31-18, NI, Ss	1

Fig. 6 - Engine Muffler Group, Diesel (001424-001505)

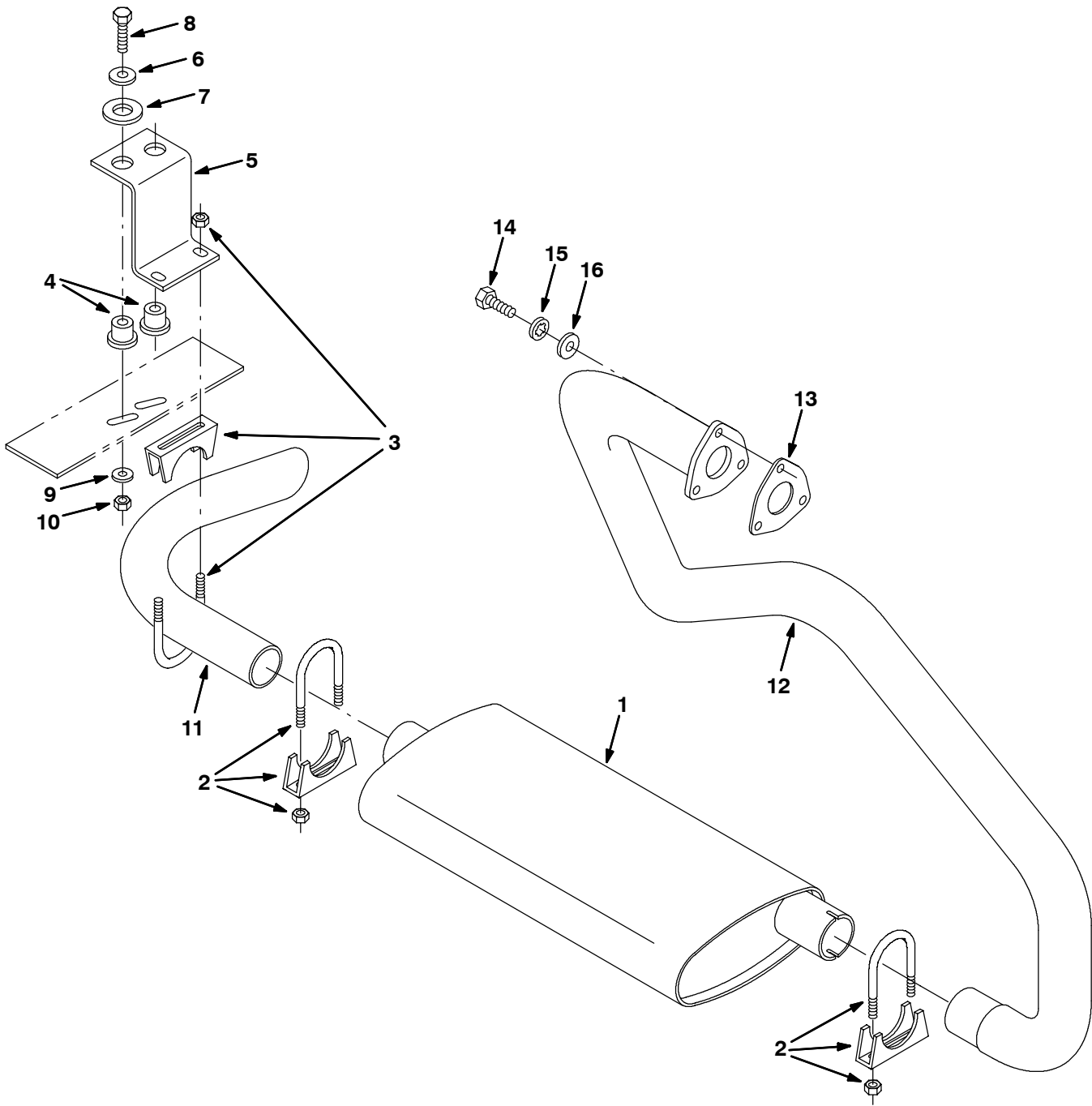


Fig. 6 - Engine Muffler Group, Diesel (001424-001505)

Ref.	Part No.	Serial Number	Description	Qty.
1	21726	(001424-001505)	Muffler, Exhaust	1
2	05880	(001424-001505)	Clamp, Muffler, 1.88d	1
3	24012-1	(001424-001505)	Clamp, Muffler, 1.75d	2
4	54274	(001424-001505)	Isolator, Vib, Bshg, 1.1d 0.6l .4b 0.78h	2
5	12959	(001424-001505)	Bracket, Pipe, Exhaust	1
6	32492	(001424-001505)	Washer, Flt, .38 Std	2
7	39350	(001424-001505)	Washer, Flt, .75 Sae	2
8	76957	(001424-001505)	Screw, Hex, .31-18 X 1.50, 5	2
9	32491	(001424-001505)	Washer, Flt, .31 Std	2
10	32983	(001424-001505)	Nut, Hex, Lock, .31-18, NI	2
11	392543	(001424-001505)	Tube, Exhaust, 1.8d 1.8od Cut-45 E105	1
12	392549	(001424-001505)	Tube, Exhaust, 2.0d Flared W/FIng	1
13	370827	(001424-001505)	Gasket	1
14	21198	(001424-001505)	Screw, Hex, .38-16 X 1.25, 5	3
15	32988	(001424-001505)	Washer, Lock, Int, .38	3
16	32485	(001424-001505)	Washer, Flat, .38 Sae	3

Fig. 7 - Engine Muffler Group, Diesel (001508-)

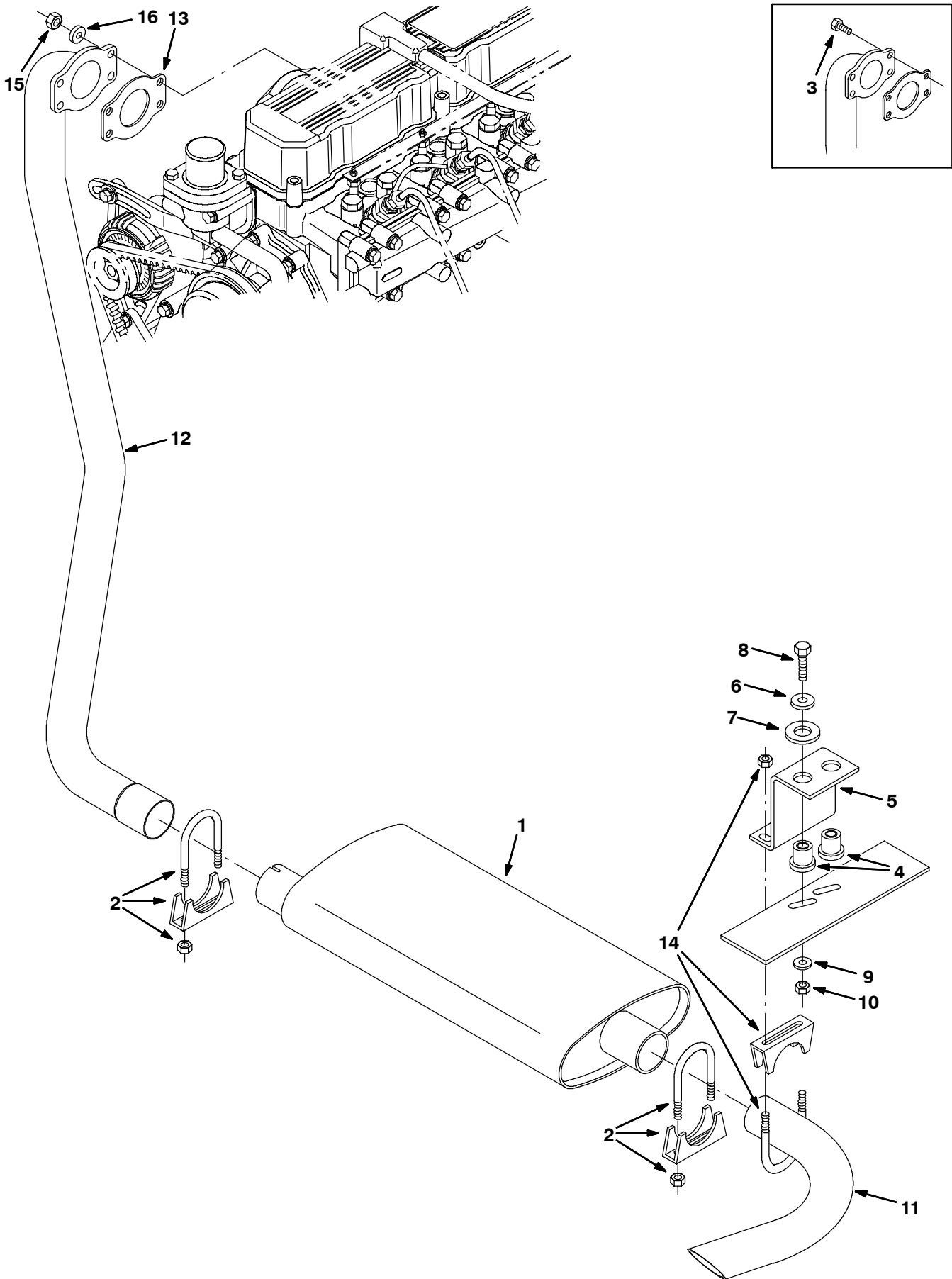


Fig. 7 - Engine Muffler Group, Diesel (001508-)

Ref.	Part No.	Serial Number	Description	Qty.
1	21726	(001508-) Muffler, Exhaust	1
2	05880	(001508-) Clamp, Muffler, 1.88d	2
3	16735	(001508-001546) Screw, Hex, M8 X 1.25 X 16, 8.8	4
4	1013590	(001508-) Isolator, Vib, Bshg, 1.1d 0.6l .4b 0.78h	2
5	12959	(001508-) Bracket, Pipe, Exhaust	1
6	32492	(001508-) Washer, Flat, 0.38 Std	2
7	39350	(001508-) Washer, Flat, 0.75 Sae	2
8	76957	(001508-) Screw, Hex, .31-18 X 1.50, 5	2
9	32491	(001508-) Washer, Flat, 0.31 Std	2
10	32983	(001508-) Nut, Hex, Lock, .31-18, NI	1
11	392543	(001508-) Tube, Exhaust, 1.8d 1.8od Cut-45 E105	1
12	1012146	(001508-) Tube, Exhaust [550d]	1
13	372678	(001508-) Gasket, Exhaust	1
14	24012-1	(001508-) Clamp, Muffler, 1.75d	1
15	08165	(001549-) Nut, Hex, Stover, M8 X 1.25	4
16	1027531	(001549-) Spacer, 0.33b 0.50d 0.15l, PI	4

Fig. 8 - Engine Fuel Tank Group, Diesel (001000-001423)

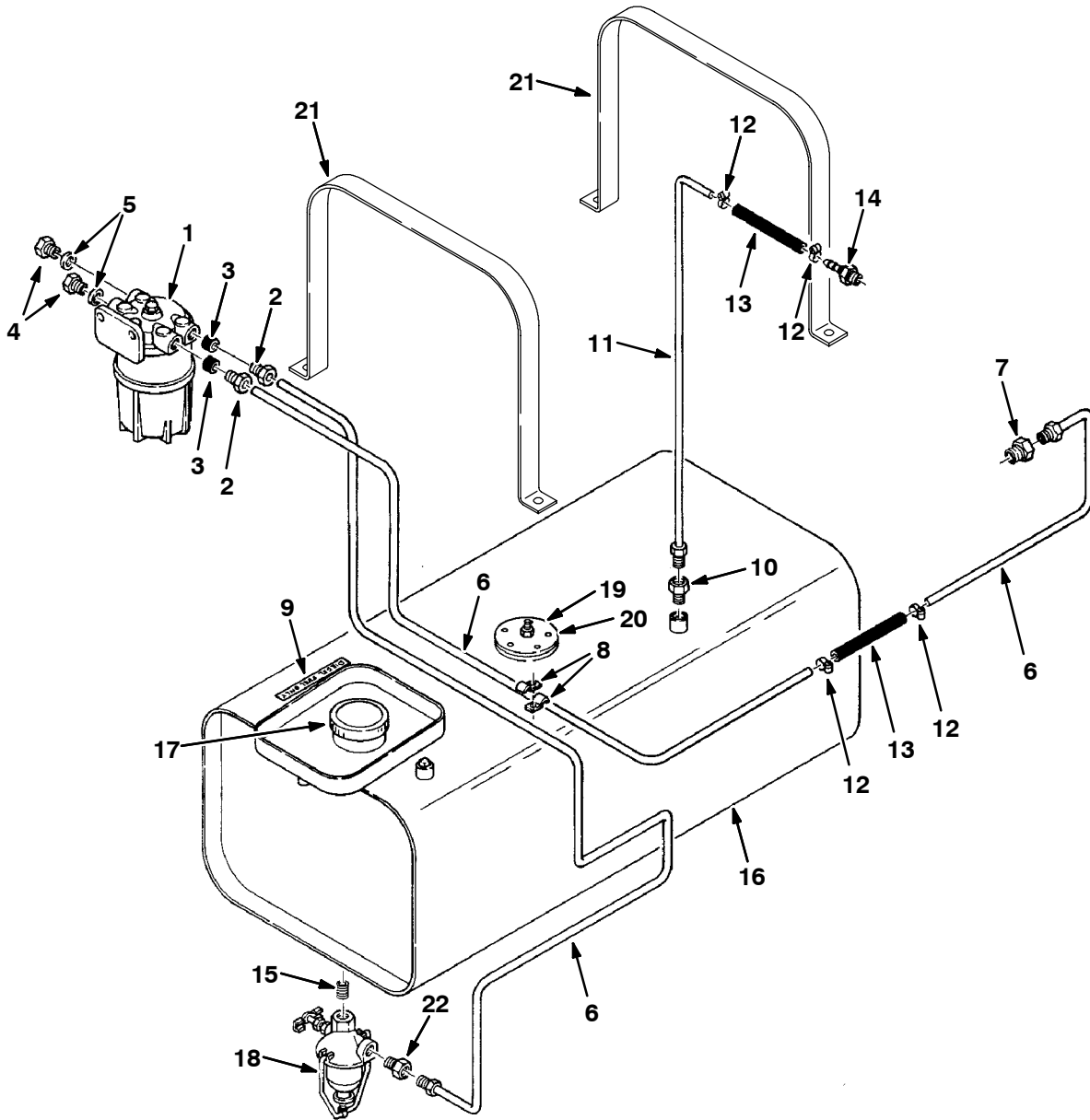


Fig. 8 - Engine Fuel Tank Group, Diesel (001000-001423)

Ref.	Part No.	Serial Number	Description	Qty.	
1	52770-8	(001000-001423)	Watertrap, Fuel	1	
2	32587	(001000-001423)	Nut, Water Trap	2	
3	32590	(001000-001423)	Olive, Rubber	2	
4	32436	(001000-001423)	Plug, Sealing	2	
5	32435	(001000-001423)	Washer, Sealing	2	
6	16562	(001000-001423)	Tube Assembly	2	
7	16713	(001000-001423)	Fitting, Straight	1	
8	46236	(001000-001423)	Clamp, Cable	2	
9	45850	(001000-001423)	Decal, Diesel Fuel Only	1	
10	391823	(001000-001423)	Fitting, Connector	1	
11	16563	(001000-001423)	Tube Assembly	1	
12	43844	(001000-001423)	Clamp, Worm Drive	4	
13	32808	(001000-001423)	Hose, Fuel Line	2	
14	61686	(001000-001423)	Fitting, Straight	1	
15	47566	(001000-001423)	Connector	1	
▽	16	03977	(001000-001423)	Tank, Fuel	1
▲	17	48267	(001000-001423)	Cap, Fuel Tank	1
	18	04601	(001000-001423)	Strainer, Fuel	1
	19	07875	(001000-001423)	Sending Unit, Fuel Tank	1
	20	14131	(001000-001423)	Gasket	1
	21	04020	(001000-001423)	Clamp, Fuel Tank	2
	22	40585	(001000-001423)	Connector	1

Fig. 9 - Engine Fuel Tank Group, Diesel (001424-001505)

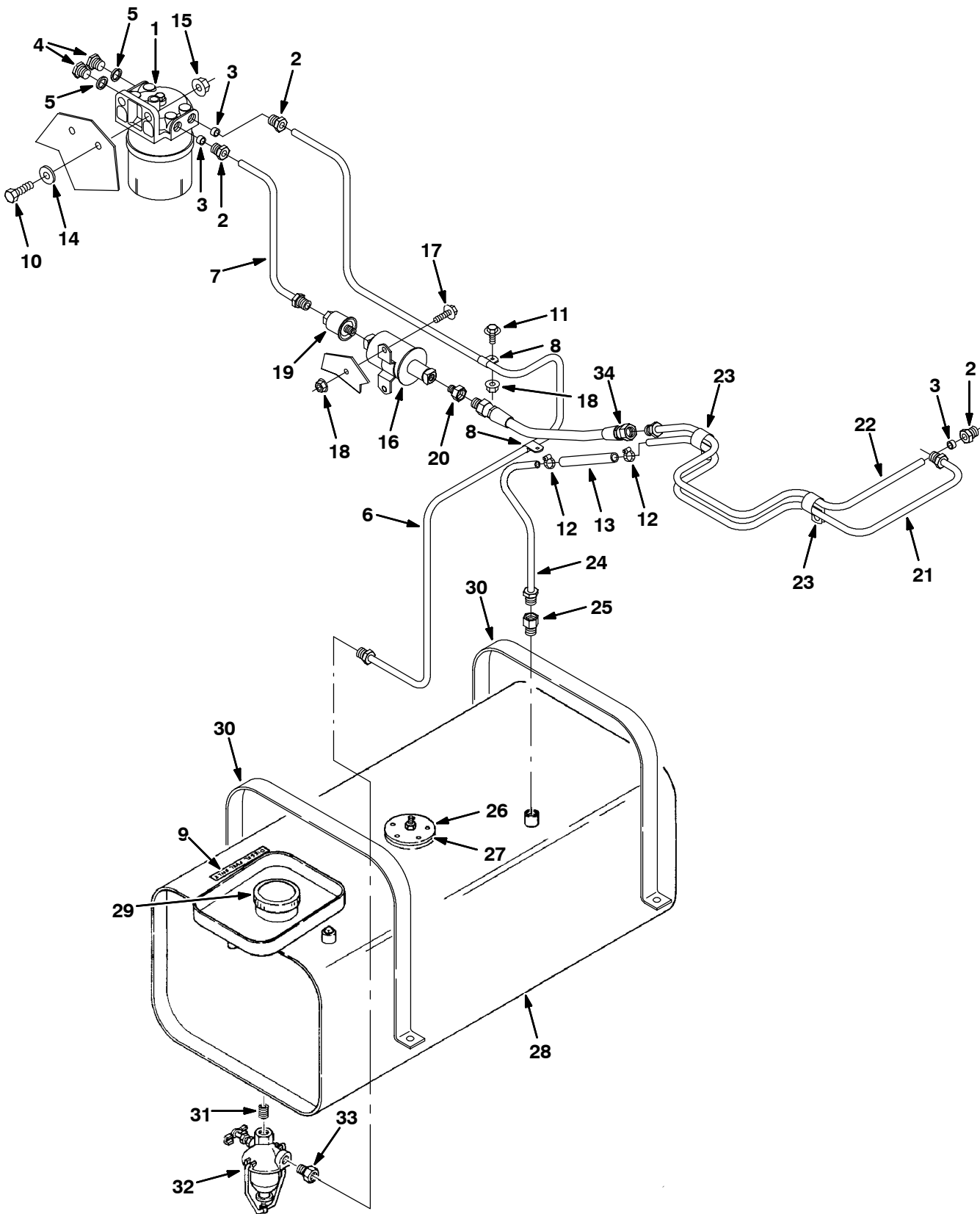


Fig. 9 - Engine Fuel Tank Group, Diesel (001424-001505)

	Ref.	Part No.	Serial Number	Description	Qty.
▽	1	52770-8	(001424-001505)	Watertrap	1
▲		52770-9	(001424-001505)	Element, Fltr, Fuel	1
	2	32587	(001424-001505)	Nut	3
	3	32590	(001424-001505)	Olive, Rubber	3
	4	32436	(001424-001505)	Fitting, Plug, .50-20 Hex	2
	5	32435	(001424-001505)	Washer, Sealing, Eng, Dsl	2
	6	392555	(001424-001505)	Fuelline, .31d 05if/None Stl	1
	7	392548	(001424-001505)	Fuelline, .31d 05if/None Stl	1
	8	46236	(001424-001505)	Clamp, Cable, Stl, 0.25d X 0.56w, 1h	2
	9	45850	(001424-001505)	Label, Caution, [Diesel Fuel Only]	1
	10	21198	(001424-001505)	Screw, Hex, .38-16 X 1.25, 5	2
	11	16949	(001424-001505)	Screw, Hex, .25-20 X 0.75, Sems	2
	12	43844	(001424-001505)	Clamp, Hose, Wormdrive, 0.25-0.62d	2
	13	32808	(001424-001505)	Hose, Fuel, 0.25id 04.0l	1
	14	32491	(001424-001505)	Washer, Flt, .31 Std	2
	15	27980	(001424-001505)	Nut, Hex, Flng, .38-16	2
	16	59015	(001424-001505)	Pump, Fuel	2
	17	16950	(001424-001505)	Screw, Hex, .25-20 X 1.00, Sems	1
	18	27979	(001424-001505)	Nut, Hex, Flng, .31-18	3
	19	36050	(001424-001505)	Filter, Fuel, In-Line	1
	20	40585	(001424-001505)	Fitting, Brs, Str, Pm02/lf05	1
	21	392553	(001424-001505)	Fuelline, .25d None/None Stl	1
	22	392554	(001424-001505)	Fuelline, .31d 05if/None Stl	1
	23	49287	(001424-001505)	Clamp, Cable, Stl, 0.75d X 0.88w, 1h	2
	24	16563	(001424-001505)	Tube Assembly	1
	25	391823	(001424-001505)	Fitting, Connector	1
	26	07875	(001424-001505)	Sending Unit, Fuel Tank	1
	27	14131	(001424-001505)	Gasket	1
▽	28	03977	(001424-001505)	Tank, Fuel	1
▲	29	48267	(001424-001505)	Cap, Fuel Tank	1
	30	04020	(001424-001505)	Clamp, Fuel Tank	2
	31	47566	(001424-001505)	Connector	1
	32	04601	(001424-001505)	Strainer, Fuel	1
	33	40585	(001424-001505)	Connector	1
	34	70173	(001424-001505)	Hose, Fuel	1

Fig. 10 - Engine Fuel Tank Group, Diesel (001508-)

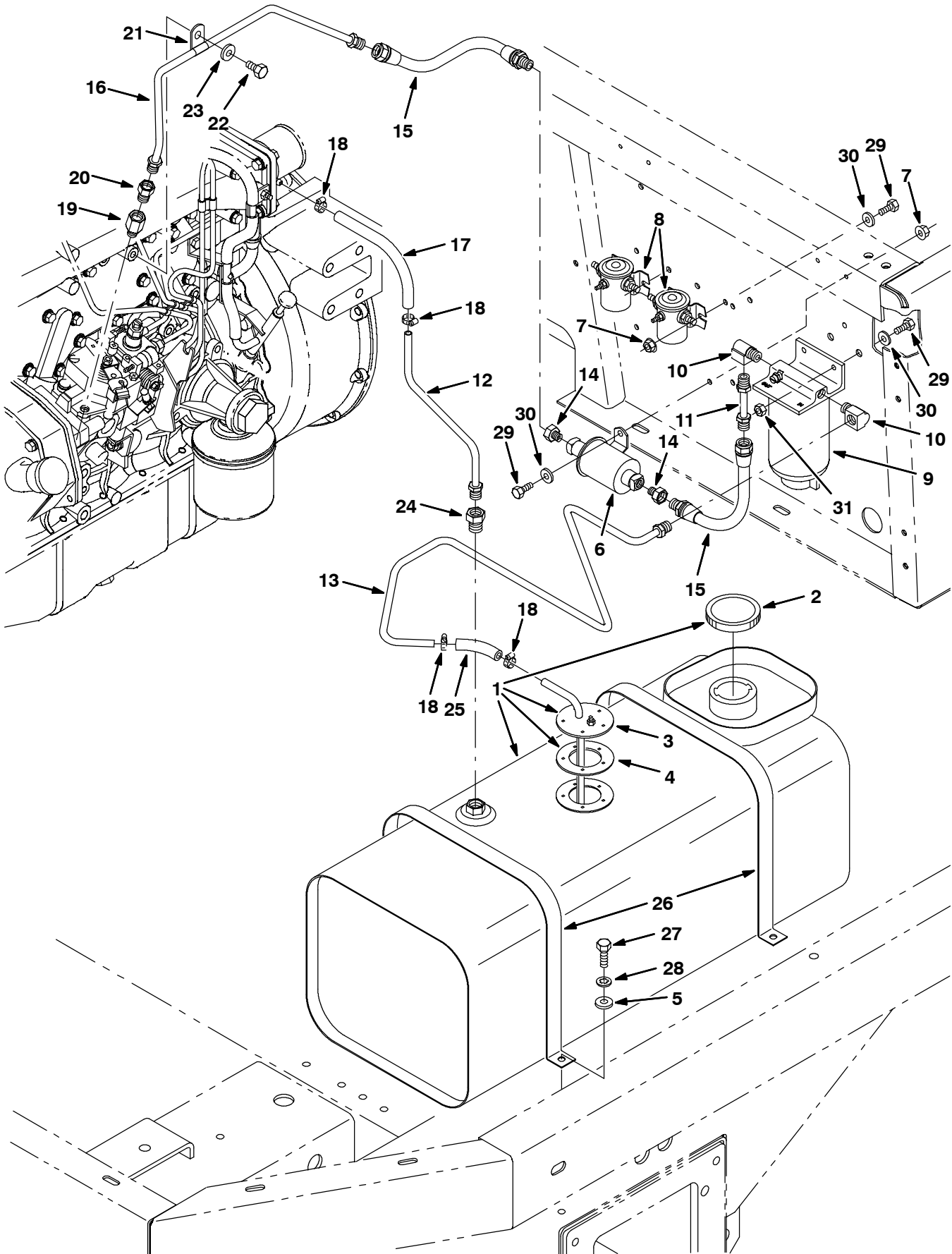
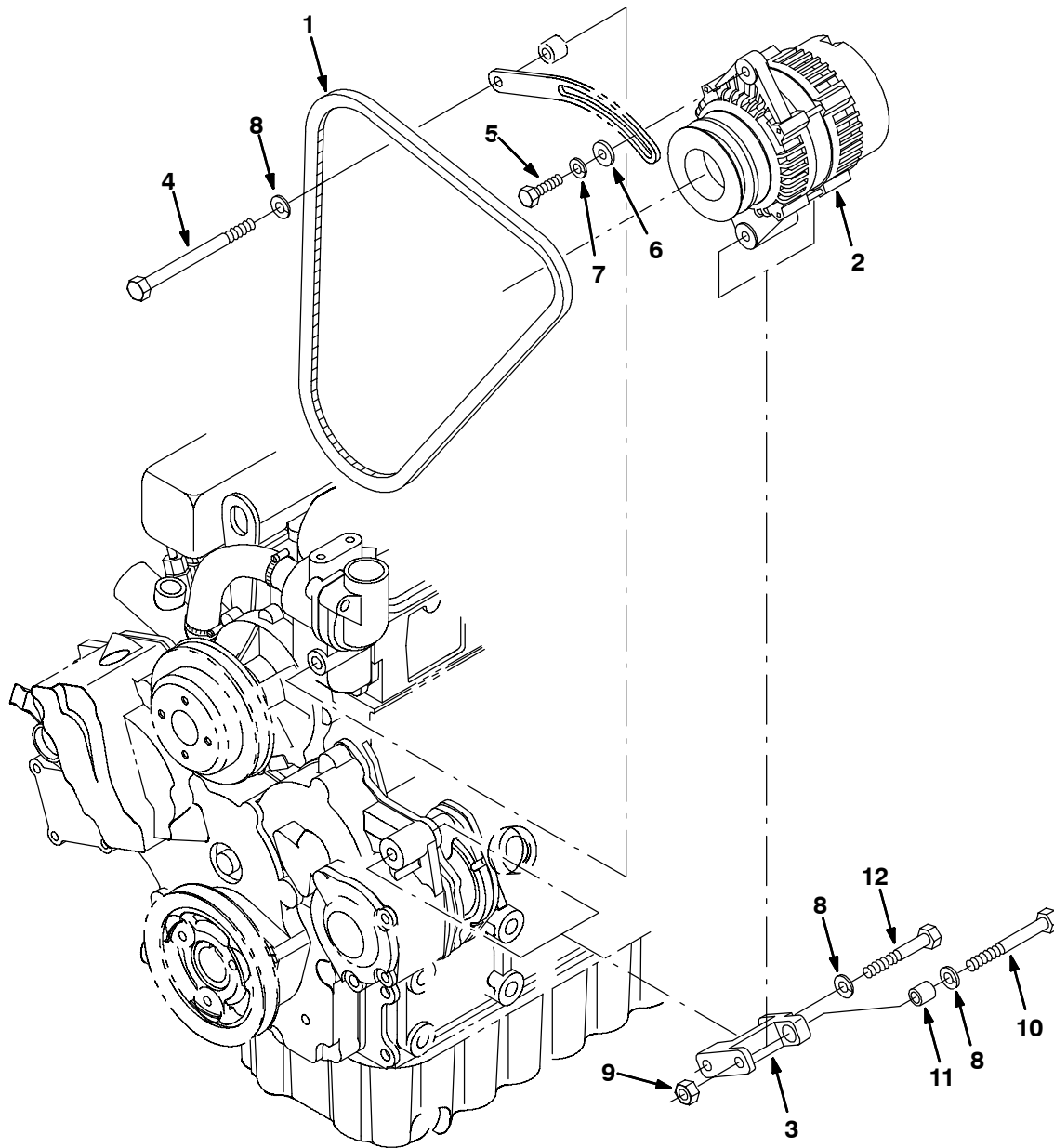


Fig. 10 - Engine Fuel Tank Group, Diesel (001508-)

	Ref.	Part No.	Serial Number	Description	Qty.
▽	1	1012112	(001508-) Tank, Fuel, 12 Gas 11.5 10.0 27.0	1
▲	2	48267	(001508-) Cap, Tank, Fuel, 2.3neck 2.6d	1
▲	3	372941	(001508-) Send-unit, Fuel	1
▲	4	1033897	(001508-) Gasket, Sender, Fuel	1
	5	32491	(001508-) Washer, Flat, 0.31 Std	4
	6	59015	(001508-) Pump, Fuel	1
	7	27978	(001508-) Nut, Hex, Flng, .25-20	5
	8	375117	(001508-) Relay, 12vdc, 100a, Spdt N/O [Camdec]	2
▽	9	1016827	(001508-) Filter Assy, Fuel, Dsl	1
▲		1017126	(001508-) Element, Fltr, Fuel	1
	10	15555-2	(001508-) Fitting, Brs, E90, lf05/Pm04	2
	11	382266	(001508-) Fuelline, .31d 03.1l 05if/05if Stl	1
	12	392548	(001508-) Fuelline, .31d 05if/None Stl	1
	13	1011917	(001508-) Fuelline, Dsl [550]	1
	14	40585	(001508-) Fitting, Brs, Str, lf05/Pm02	2
	15	70173	(001508-) Hose, 0050, 04, lm05str /lf05str , 10.0	2
	16	1011916	(001508-) Fuelline, Dsl [550]	1
	17	82686	(001508-) Hose, Fuel, 0.25id 08.0l	1
	18	43844	(001508-) Clamp, Hose, Wormdrive, 0.25-0.62d, .31w	4
	19	1012738	(001508-) Fitting, Hyd, Str, Metric, Om12/Pf04	1
	20	78043	(001508-) Fitting, Brs, Str, lf05/Pm04	1
	21	380770	(001508-) Clamp, Cable, Stl, 0.31d X 0.88w	1
	22	16931	(001508-) Screw, Hex, M8 X 1.25 X 20, 8.8	1
	23	39349	(001508-) Washer, Flat, 0.31 Sae	1
	24	78043	(001508-) Fitting, Brs, Str, lf05/Pm04	1
	25	82526	(001508-) Hose, Fuel, 0.31id 03.0l	1
	26	04020	(001508-) Strap	2
	27	76955	(001508-) Screw, Hex, .31-18 X 1.00, 5	4
	28	32984	(001508-) Washer, Lock, Int, .31	4
	29	19316	(001508-) Screw, Hex, .25-20 X 0.62, 5	7
	30	32483	(001508-) Washer, Flat, 0.25 Sae	7
	31	32981	(001508-) Nut, Hex, Lock, .25-20, NI	2

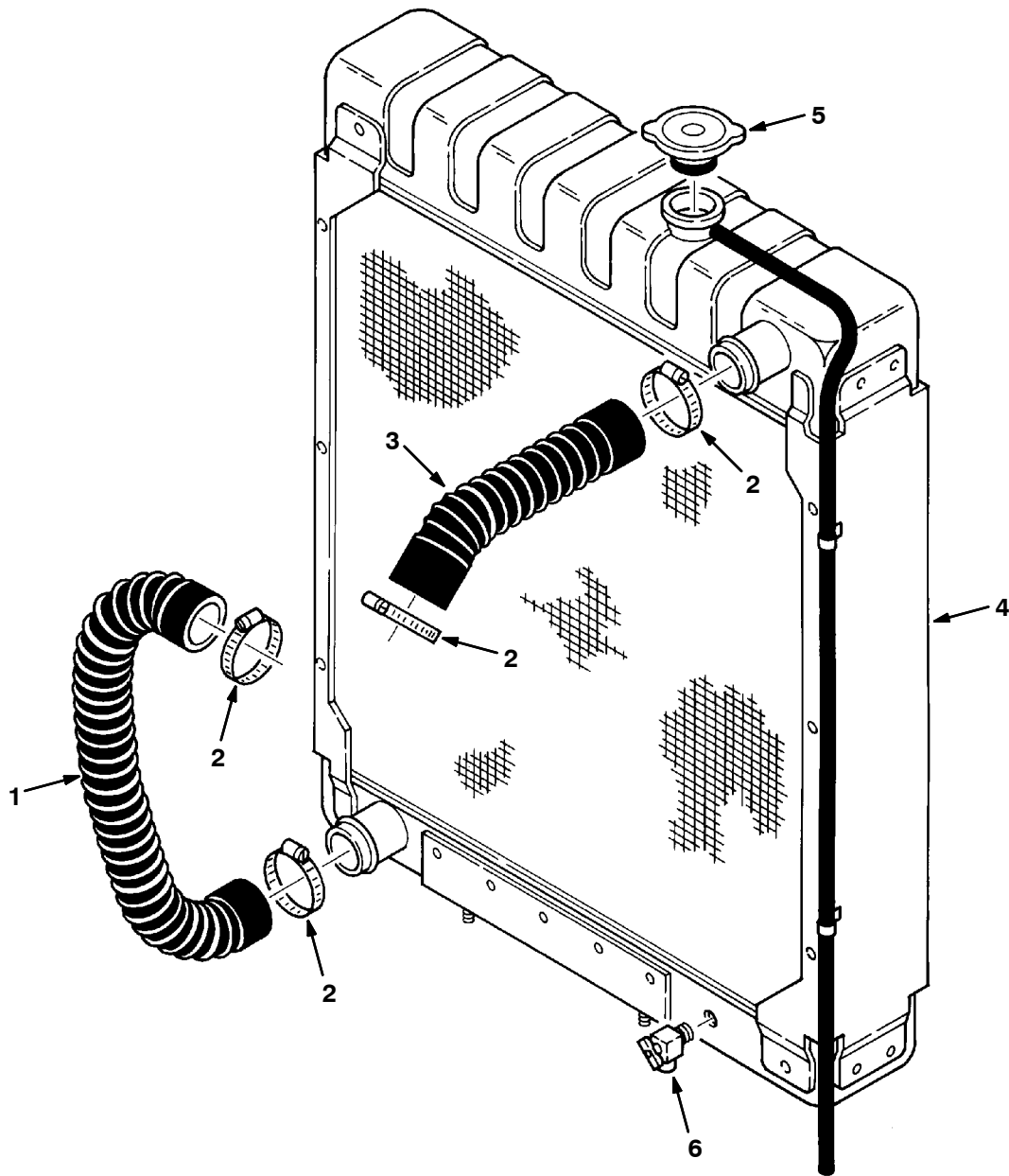
Fig. 11 - Engine Alternator Group, Diesel (001424-001505)



353666 - 550. 1550, D

Ref.	Part No.	Serial Number	Description	Qty.
1	371601	(001424-001505)	Belt, Alternator	1
2	371598	(001424-001505)	Alternator	1
3	371599	(001424-001505)	Mount, Hsng, Alternator	1
4	371620	(001424-001505)	Screw, Hex, M10-1.50 X 130, 5	1
5	76570	(001424-001505)	Screw, Hex, M08 X 1.25 X 30, 8.8	1
6	32491	(001424-001505)	Washer, Flt, .31 Std	1
7	393994	(001424-001505)	Washer, Lock, .31	1
8	371614	(001424-001505)	Washer, Lock, M10	3
9	371613	(001424-001505)	Nut, M10-1.50	1
10	371615	(001424-001505)	Screw, Hex, M10-1.50 X 90, 8.8	1
11	371597	(001424-001505)	Sleeve, Alternator	1
12	16930	(001424-001505)	Screw, Hex, M10 X 1.5 X 50, 8.8	1

Fig. 12 - Engine Radiator Group, Diesel (001000-001423)



02380 - 1550, D

Ref.	Part No.	Serial Number	Description	Qty.
1	25179	(001000-001423)	Hose, Radiator	1
2	11531	(001000-001423)	Clamp, Worm Drive	4
3	16820	(001000-001423)	Hose, Radiator	1
▽ 4	61611	(001000-001423)	Radiator	1
▲ 5	51321-3	(001000-001423)	Cap, Radiator	1
6	51305	(001000-001423)	Cock, Drain	1

Fig. 13 - Engine Radiator and Hydraulic Cooler Group, Diesel (001424-001505)

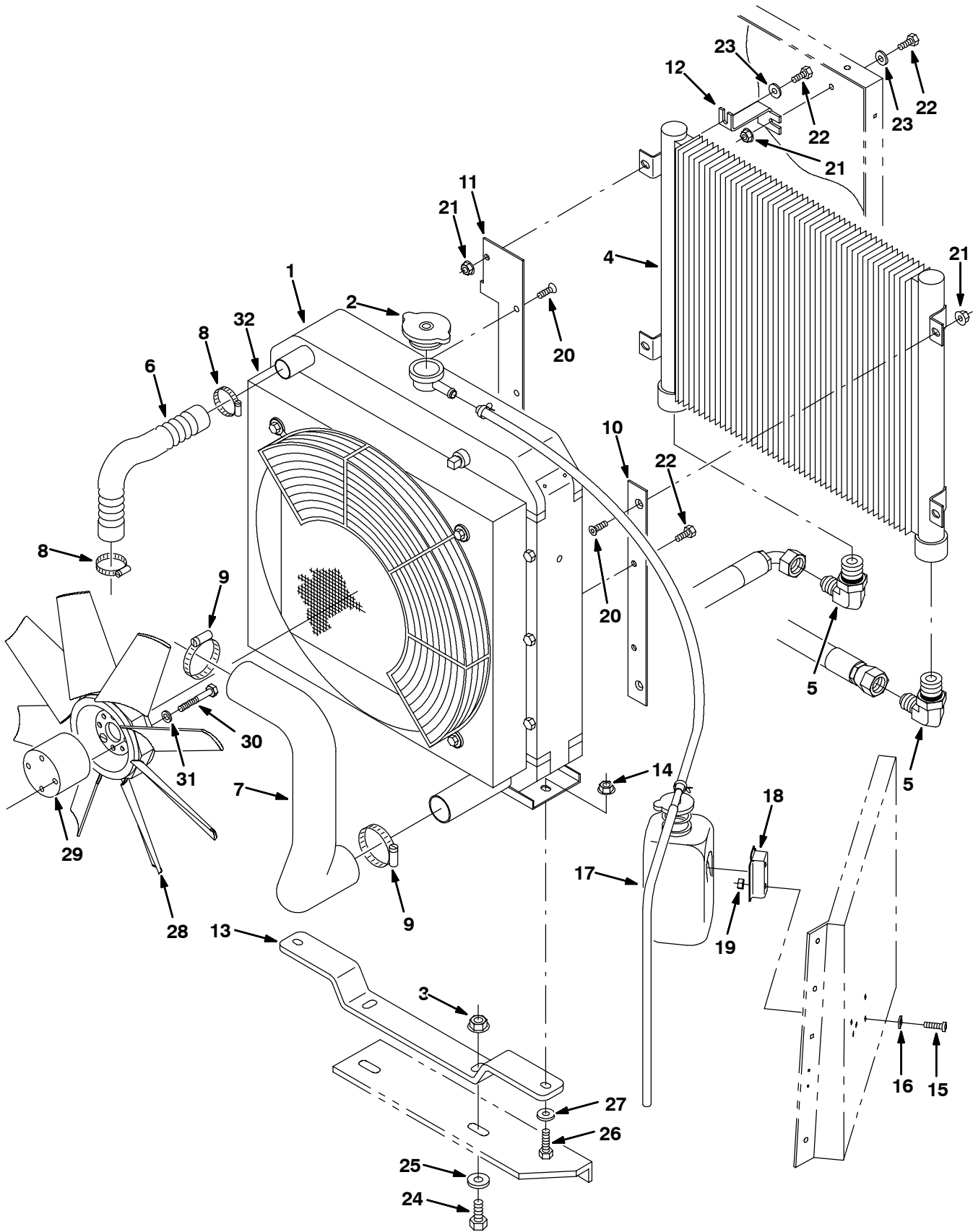


Fig. 13 - Engine Radiator and Hydraulic Cooler Group, Diesel (001424-001505)

Ref.	Part No.	Serial Number	Description	Qty.
1	371635	(001424-001505)	Radiator	1
2	368132	(001424-001505)	Cap, Radiator, 15psi	1
3	27981	(001424-001505)	Nut, Hex, Flng, .50-13	2
4	73106	(001424-001505)	Cooler, Hyd 25gpm 400btu Of16 19x18x2	1
5	52911	(001424-001505)	Fitting, Hyd, E90, Jm12/Om16	2
6	371594	(001424-001505)	Hose, Radiator, Upper	1
7	371595	(001424-001505)	Hose, Radiator, Lower	1
8	11399	(001424-001505)	Clamp, Hose, Wormdrive, 0.81-1.50d	2
9	20983	(001424-001505)	Clamp, Hose, Wormdrive, 3.25-4.12d	2
10	392534	(001424-001505)	Strip, Cooler, Mtg	1
11	392530	(001424-001505)	Strip, Cooler, Mtg	1
12	392544	(001424-001505)	Bracket, Radiator	1
13	371747	(001424-001505)	Bracket, Radiator	1
14	27980	(001424-001505)	Nut, Hex, Flng, .38-16	2
15	09164	(001424-001505)	Screw, Pan, M06 X 1.0 X 20, 4.8	2
16	32490	(001424-001505)	Washer, Flt, .25 Std	2
17	87972	(001424-001505)	Tank, Recovery	1
18	382507	(001424-001505)	Bracket, Mtg, Overflow	1
19	08708	(001424-001505)	Nut, Hex, Lock, M06 X 1.0, NI	2
20	45299	(001424-001505)	Screw, Flt, .31-18 X 0.75, Al	4
21	27979	(001424-001505)	Nut, Hex, Flng, .31-18	5
22	54395	(001424-001505)	Screw, Hex, .31-18 X 0.62, 5	5
23	32491	(001424-001505)	Washer, Flt, .31 Std	2
24	39810	(001424-001505)	Screw, Hex, .50-13 X 1.25, 5	2
25	32493	(001424-001505)	Washer, Flt, .50 Std	2
26	21198	(001424-001505)	Screw, Hex, .38-16 X 1.25, 5	2
27	32492	(001424-001505)	Washer, Flt, .38 Std	2
28	375585	(001424-001505)	Fan, Cooling, 18.0d, 8 Blade, 2.2d Bc	1
29	371596	(001424-001505)	Spacer, Fan, 2.50	1
30	371623	(001424-001505)	Screw, M6-1.0 X 85	4
31	371621	(001424-001505)	Washer, Lock, M6	4
32	371644	(001424-001505)	Box, Radiator	1

Fig. 14 - Engine Radiator and Hydraulic Cooler Group, Diesel (001508-)

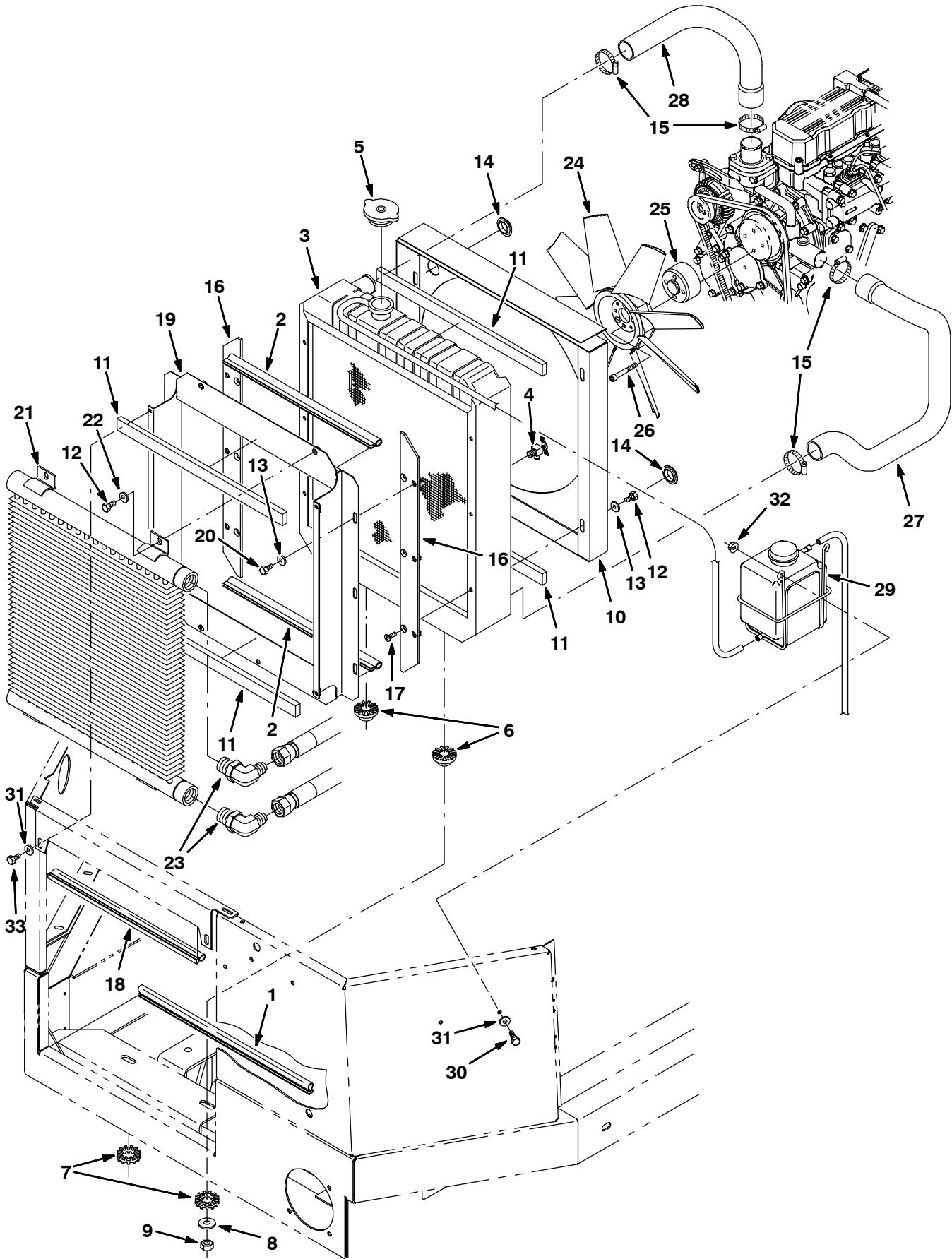
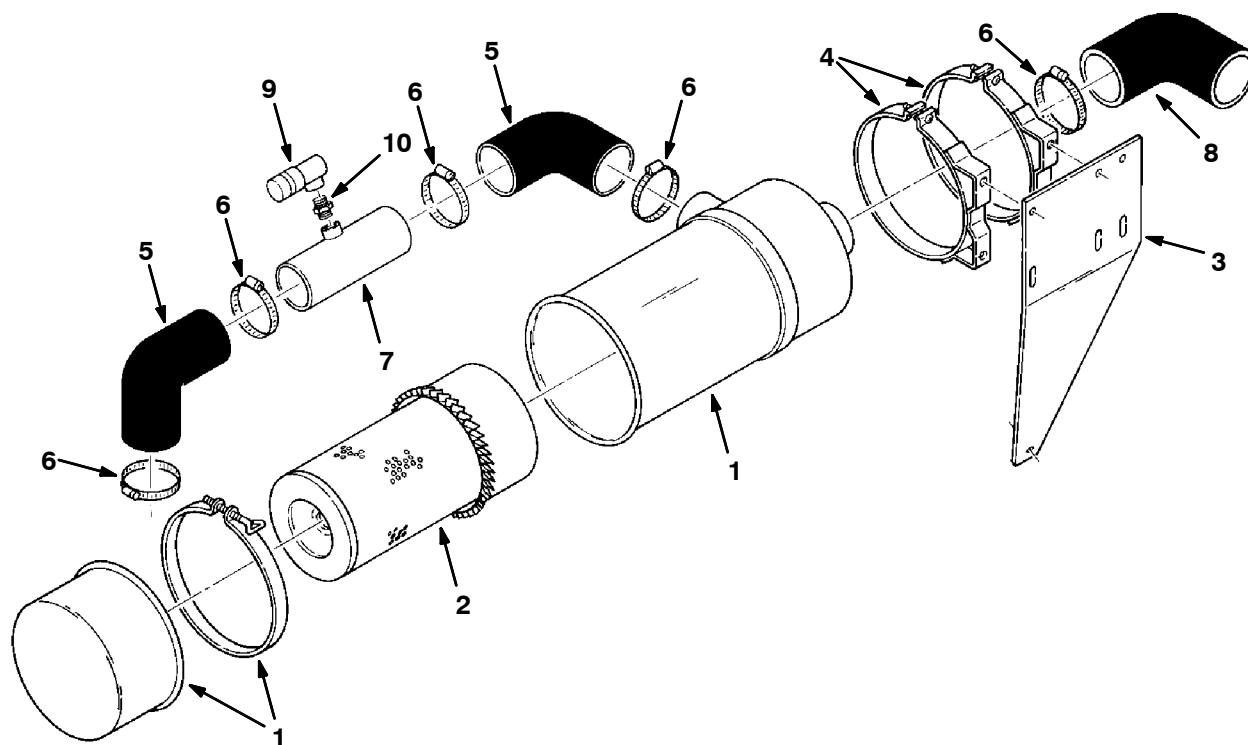


Fig. 14 - Engine Radiator and Hydraulic Cooler Group, Diesel (001508-)

Ref.	Part No.	Serial Number	Description	Qty.
1	77342	(001508-) Seal, Bulb, 90, 1.33 .06-.09grip 026.0l	1
2	365356	(001508-) Seal, Bulb, 90, 1.33 .06-.09grip 017.0l	2
3	61608	(001508-) Radiator	1
4	51305	(001508-) Fitting, Draincock, .25npt 90	1
5	1045764	(001508-) Cap, Radiator, 14psi, [Stant]	1
6	64621	(001508-) Isolator, Vib, Bshg, 1.9d 0.9l .6b 1.16h	2
7	64618	(001508-) Isolator, Vib, Ring, 1.9d 0.5l 1.3b	2
8	32493	(001508-) Washer, Flat, 0.50 Std	2
9	32985	(001508-) Nut, Hex, Lock, .50-13, NI	2
10	9001223	(001508-) Shroud Wldt, Fan, Dsl [550], W/Label	1
11	63818	(001508-) Seal, Ure, 0.75 1.12w 19.0l Adh	4
12	54395	(001508-) Screw, Hex, .31-18 X 0.62, 5	8
13	32491	(001508-) Washer, Flat, 0.31 Std	10
14	50967	(001508-) Button, Plug, 1.25h .03-.08 [Black Poly]	4
15	11531	(001508-) Clamp, Hose, Wormdrive, 1.06-2.00d, .56w	4
16	1014573	(001508-) Strip, Mtg, Cooler	2
17	39537	(001508-) Screw, Flt, .31-18 X 0.50, Al	6
18	10576	(001508-) Seal, Bulb, 90, 0.50d .06-.09grip 022.5l	1
19	1014394	(001508-) Shroud Wldt, Radiator / Hyd Cooler	1
20	54394	(001508-) Screw, Hex, .31-18 X 0.50, 5	6
21	73106	(001508-) Cooler, Hyd, 30gpm 800btu	1
22	39349	(001508-) Washer, Flat, 0.31 Sae	4
23	52911	(001508-) Fitting, Hyd, E90, Jm12/Om16	2
24	375585	(001508-) Fan, Cooling, 18.0d, 8 Blade, 2.2d Bc	1
25	1011002	(001508-) Spacer, Fan	1
26	09294	(001508-) Screw, Soc, M8 X 1.25 X 60, 12.9	4
27	1012148	(001508-) Hose, Radiator, Lower [550d]	1
28	1012147	(001508-) Hose, Radiator, Upper [550d]	1
29	768897	(001508-) Tank, Coolant, 06.0 04.5 06.9deep 2.5 Qt	1
30	25046	(001508-) Screw, Hex, .25-20 X 1.00, 5	2
31	32490	(001508-) Washer, Flat, 0.25 Std	4
32	27978	(001508-) Nut, Hex, Flng, .25-20	2
33	19316	(001508-) Screw, Hex, .25-20 X 0.62, 5	2

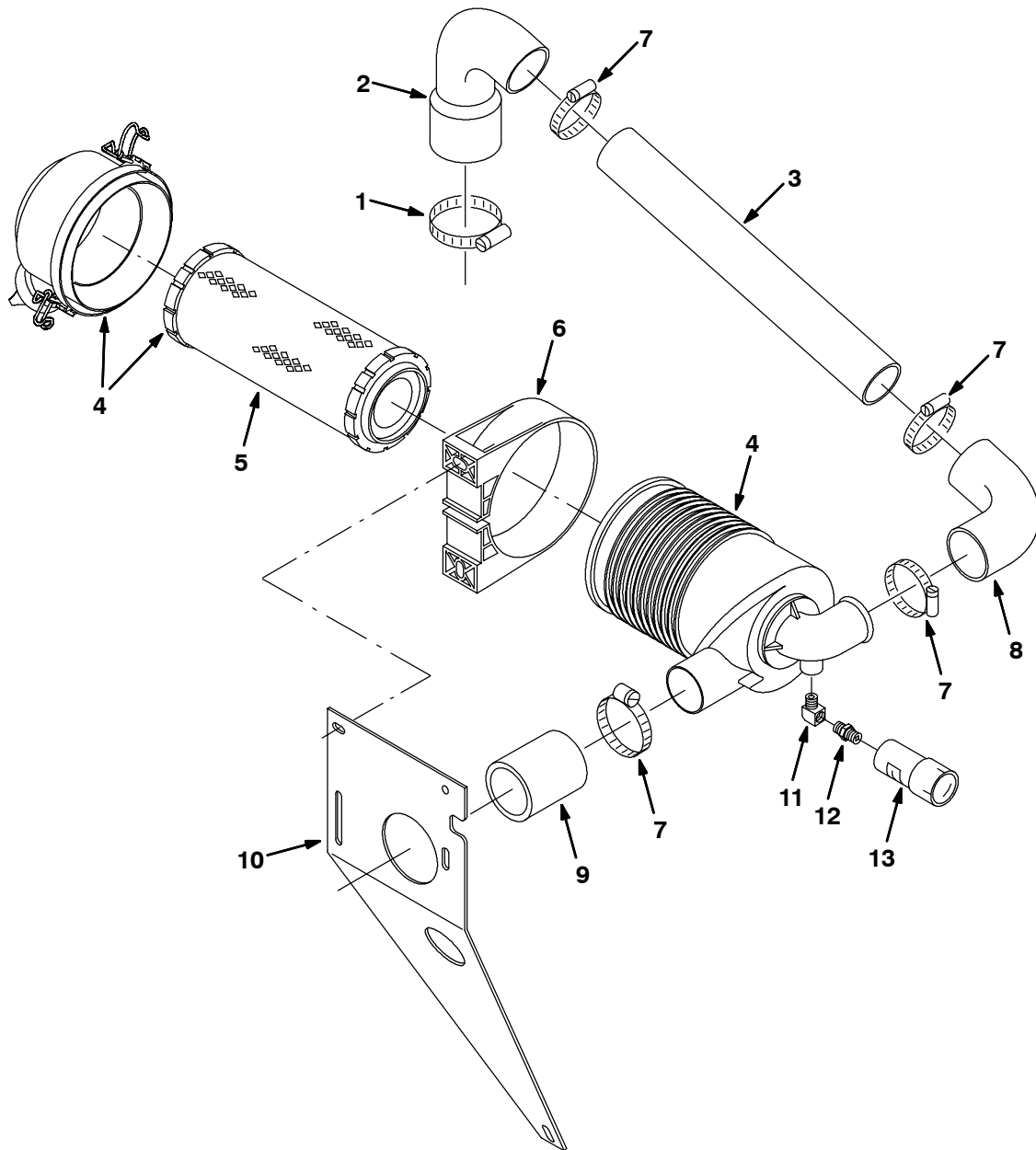
Fig. 15 - Engine Air Cleaner Group, Diesel (001000-001423)



09880 - 550, 1550, D

Ref.	Part No.	Serial Number	Description	Qty.
▽ 1	76319	(001000-001423)	Air Cleaner	1
▲ 2	76335	(001000-001423)	Element, Air Cleaner	1
3	76332	(001000-001423)	Brace, Rear Panel	1
4	76321	(001000-001423)	Band, Air Cleaner	2
5	52580-2	(001000-001423)	Elbow, 90°	2
6	14432	(001000-001423)	Clamp, Worm Drive	5
7	391846	(001000-001423)	Tube, Air Cleaner	1
8	16497	(001000-001423)	Elbow	1
9	51658-5	(001000-001402)	Indicator, Filter Service	1
10	51560-5	(001000-001402)	Adapter, Filter, 1/8NPT	1

Fig. 16 - Engine Air Cleaner Group, Diesel (001424-001505)



353670 - 550, 1550, D

Ref.	Part No.	Serial Number	Description	Qty.
1	43555	(001424-001505)	Clamp, Hose, Wormdrive, 1.62-3.50d	1
2	371607	(001424-001505)	Hose, Rbr, E90	1
3	371581	(001424-001505)	Pipe, Air Cleaner	1
▽ 4	369745	(001424-001505)	Filter, Air Cleaner Assembly	1
▲ 5	369746	(001424-001505)	Element, Filtr, Air	1
6	369747	(001424-001505)	Clamp, Mounting, Air Cleaner	1
7	22297	(001424-001505)	Clamp, Hose, Wormdrive, 1.56-2.50d	4
8	10509	(001424-001505)	Hose, Rbr, E90 2.00id 2.00id 03.5 2.3	1
9	15543	(001424-001505)	Hose, Rbr, 2.00id 2.50od 03.0l	1
10	369751	(001424-001505)	Brace, Rear Shroud	1
11	11984	(001424-001505)	Fitting, Pipe, E90, Pm02/Pf02	1
12	51560-5	(001424-001505)	Fitting, Brs, Str, 02mp, Service	1
13	03026	(001424-001505)	Indicator, Air Filter	1

Fig. 17 - Engine Air Cleaner Group, Diesel (001508-)

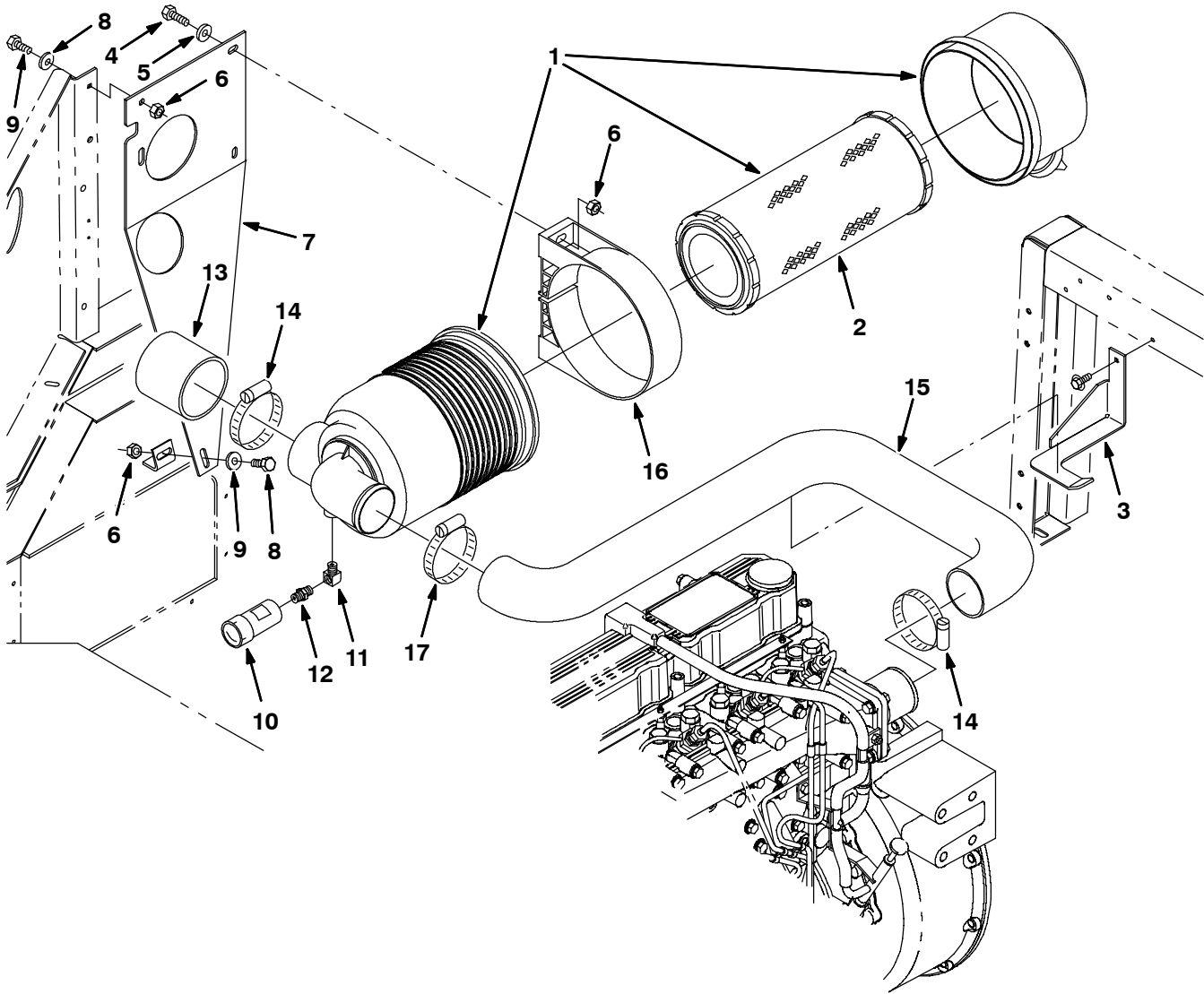
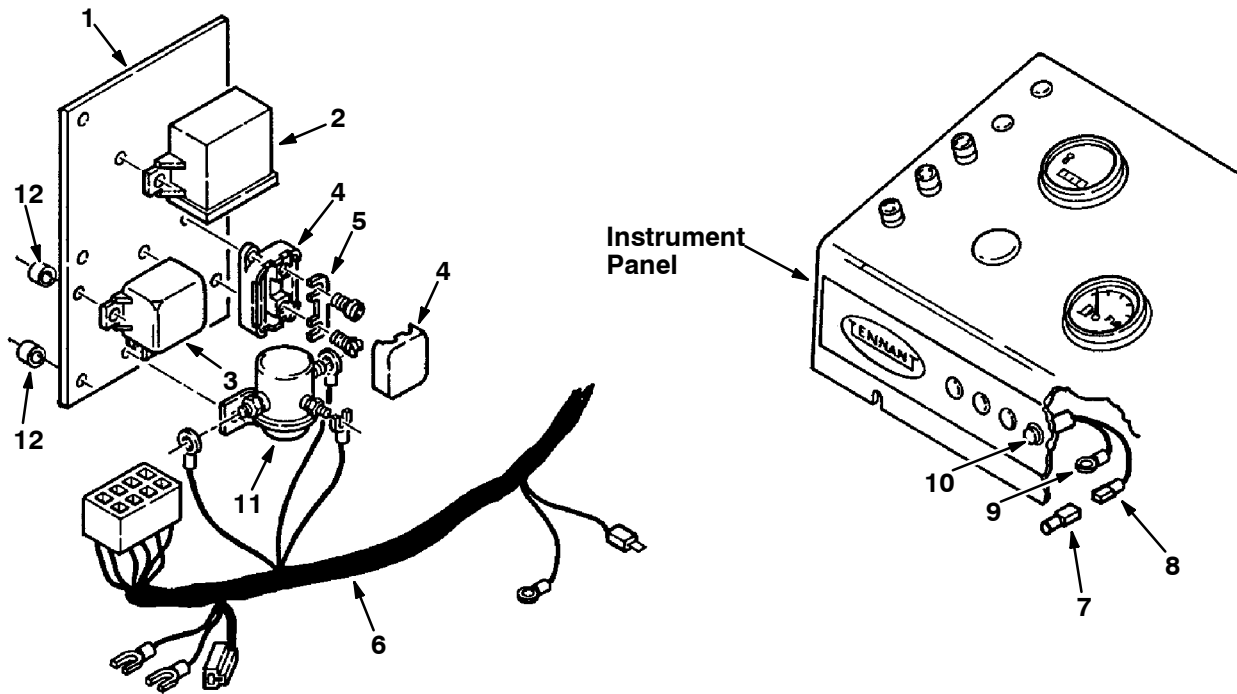


Fig. 17 - Engine Air Cleaner Group, Diesel (001508-)

	Ref.	Part No.	Serial Number	Description	Qty.
▽	1	1013334	(001508-) Filter, Air-Clnr	1
▲	2	372448	(001508-) Element, Fltr, Air [Dn]	1
	3	1016171	(001508-) Bracket, Sppt, Hose, Intake	1
	4	76955	(001508-) Screw, Hex, .31-18 X 1.00, 5	2
	5	39349	(001508-) Washer, Flat, 0.31 Sae	2
	6	32983	(001508-) Nut, Hex, Lock, .31-18, NI	5
	7	1012721	(001508-) Brace, Shrd, Rear, Lh	1
	8	54396	(001508-) Screw, Hex, .31-18 X 0.75, 5	3
	9	32491	(001508-) Washer, Flat, 0.31 Std	3
	10	03026	(001508-) Indicator, Service, Air Filter 20h20 Dn	1
	11	11984	(001508-) Fitting, Pipe, E90, Pm02/Pf02	1
	12	51560-5	(001508-) Fitting, Brs, Str, Pm02, Service	1
	13	1015770	(001508-) Hose, Intake, Mold, 2.50id 2.50id,[Epdm]	1
	14	22297	(001508-) Clamp, Hose, Wormdrive, 1.56-2.50d, .50w	2
	15	1012149	(001508-) Hose, Air, Intake [550d]	1
	16	1013367	(001508-) Mount, Band, Fltr, 6.79id	1
	17	43555	(001508-) Clamp, Hose, Wormdrive, 1.62-3.50d, .56w	1

Fig. 18 - Engine Glow Plug Control Group, Diesel (001000- 001423)

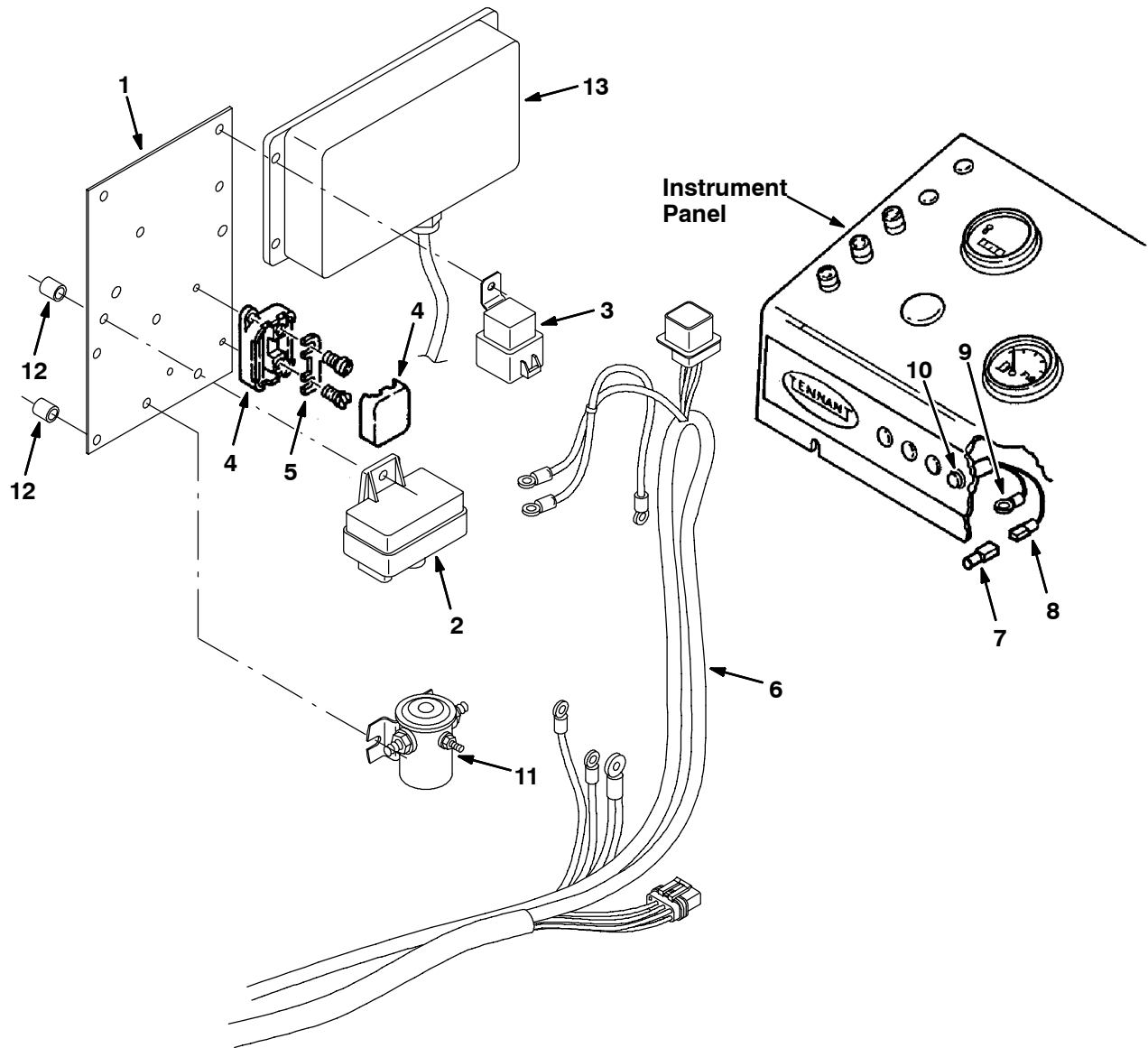


02381 - 550, 1550, D, Cont

Ref.	Part No.	Serial Number	Description	Qty.
1	34841	(001000-001423)	Plate	1
▽	34866	(001000-001423)	Control Unit Kit	1
▲	2	34801	(001000-001423) Control Unit, Glow Plug	1
▲	3	34804	(001000-001423) Relay, Power	1
▲	4	34802	(001000-001423) Holder, Fuse	1
▲	5	34803	(001000-001423) Fuse, 80 A	1
	6	16848	(001000-001423) Control Harness	1
	7	45224	(001000-001423) Terminal, Quick-Disconnect	1
	8	45223	(001000-001423) Terminal	1
	9	68101	(001000-001423) Terminal, Ring	1
	10	374119	(001000-001423) Lamp Assy, Indicator, Red, 14Vdc	1
	11	375117	(001000-001423) Contactor, 12Vdc	1
	12	53051A	(001000-001423) Spacer	2

NOTE: To identify parts shown but not listed here, see Section 6, Standard Parts.

Fig. 19 - Engine Glow Plug Control Group, Diesel (001424-001505)

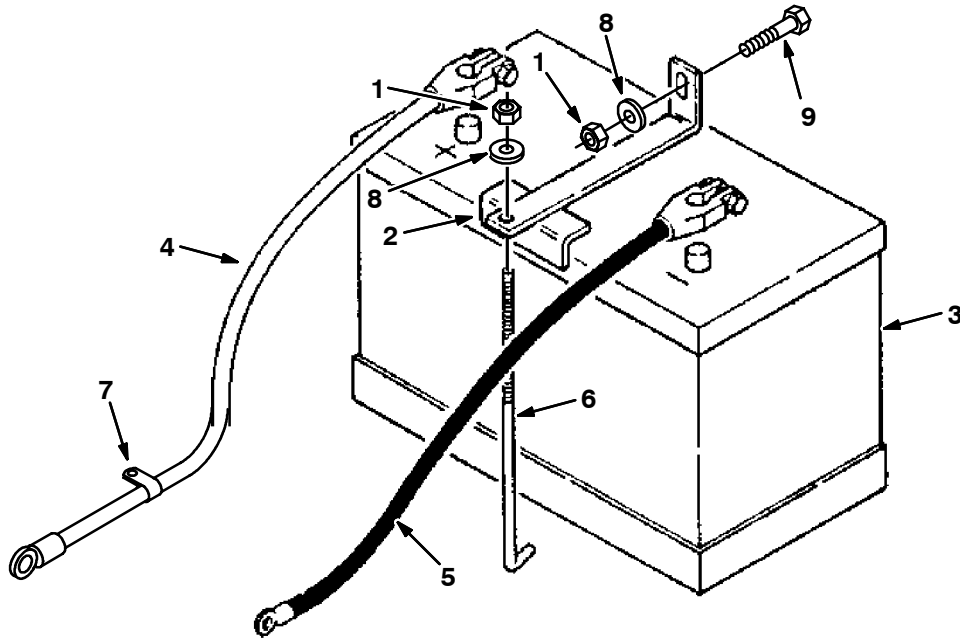


353672 - 02381 - 1550, 550, D, Perk

Ref.	Part No.	Serial Number	Description	Qty.
1	34841	(001424-001505)	Plate	1
▽	34866	(001424-001505)	Control Unit Kit	1
▲	2	375676	Controller	1
▲	3	56186	Relay, 12vdc, 40a, Spdt, [Potter]	1
▲	4	34802	Holder, Fuse	1
▲	5	34803	Fuse, 80 A	1
	6	392529	Harness, Engine, Perkins, [550/1550]	1
	7	45224	Terminal, Quick-Disconnect	1
	8	45223	Terminal	1
	9	68101	Terminal, Ring	1
	10	374119	Lamp Assy, Indicator, Red, 14Vdc	1
	11	375117	Contactor, 12Vdc	1
	12	53051A	Spacer	2
	13	374127	Kit, Replmt, Control, Govnr, [All Purpose]	1

NOTE: To identify parts shown but not listed here, see Section 6, Standard Parts.

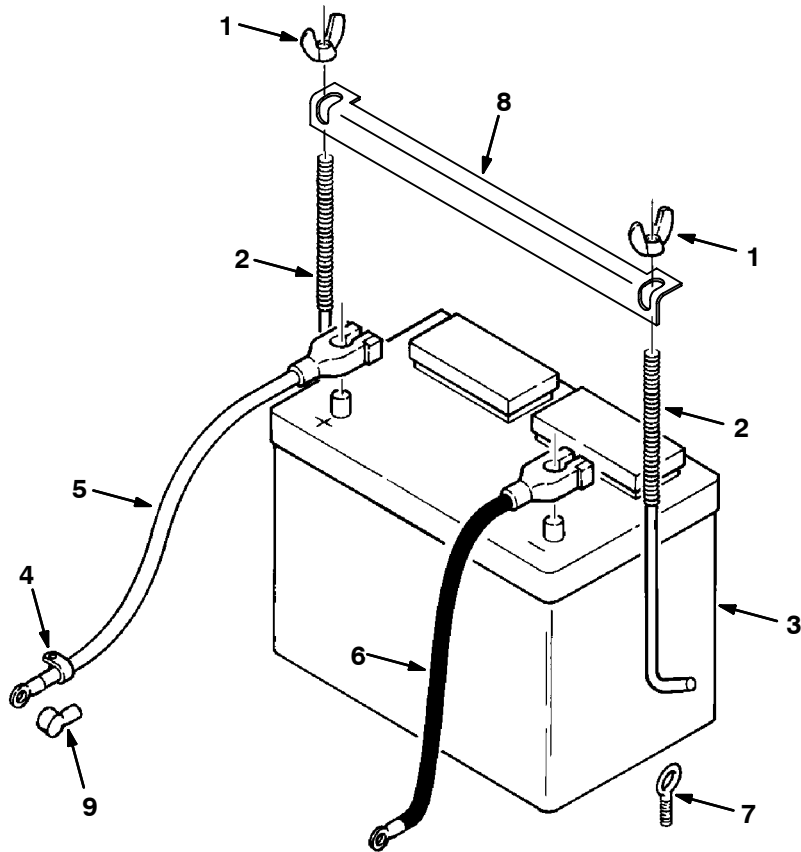
Fig. 20 - Engine Battery Group, Diesel (001000-001505)



353208 - 550, 1550, D

Ref.	Part No.	Serial Number	Description	Qty.
1	19313	(001000-001505)	Nut, Hex, .31-18	2
2	16936	(001000-001505)	Bracket, Battery	1
3	310580	(001000-001505)	Battery, 12vdc, 1000cca, Ah, Wet, UI	1
4	68869	(001000-001423)	Cable, Positive Battery	1
4	60294	(001424-001505)	Cable, Positive Battery	1
5	68870	(001000-001505)	Cable, Negative Battery	1
6	13015-1	(001000-001505)	Bolt, Hold Down	2
7	76736	(001424-001505)	Clamp, Cable	3
8	32491	(001000-001505)	Washer, Flat	2
9	76958	(001000-001505)	Screw, Hex, .31-18 X 1.75	1

Fig. 21 - Engine Battery Group, Diesel (001508-)



02376 - 550, 1550, D, CAT

Ref.	Part No.	Serial Number	Description	Qty.
1	39272	(001508-)	Nut, Wing	2
2	13015	(001508-)	Bolt, Hold Down	2
3	77602	(001508-)	Battery, 12v, 0700cca, Ah, Wet	1
4	76736	(001508-)	Clamp, Cable	3
5	60294	(001508-)	Cable, Battery, Pos 2ga 78.0l .41h	1
6	60295	(001508-)	Cable, Battery, Neg 2ga 60.0l .41 Hole	1
7	11893	(001508-)	Eyebolt	2
8	13016	(001508-)	Bracket, Angle, Hold-down, Battery	1
9	61364	(001508-)	Boot, 90deg .62d .44d Red	1

Fig. 22 - Steering Column Group, Diesel (001000-)

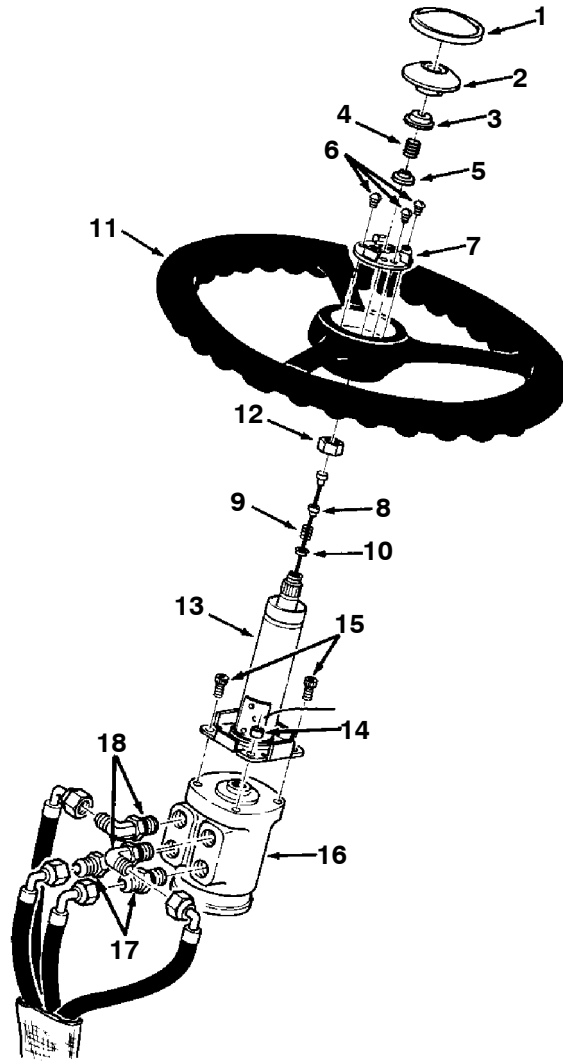


Fig. 22 - Steering Column Group, Diesel (001000-)

	Ref.	Part No.	Serial Number	Description	Qty.	
▽		14700	(001000-) Horn Button Assembly	1	
▲	1	47010-7	(001000-) Cover, Horn Button	1	
▲	2	47010-6	(001000-) Button, Horn	1	
▲	3	47010-2	(001000-) Cup, Contact	1	
▲	4	47010-3	(001000-) Spring	1	
▲	5	47010-1	(001000-) Cap, Contact	1	
▲	6	47010-4	(001000-) Screw, Horn Button, Wood	3	
▲	7	14700-4	(001000-) Plate	1	
▲	8	14700-1	(001000-) Ferrule, Insulation	1	
▲	9	14700-2	(001000-) Spring	1	
▲	10	14700-3	(001000-) Washer	1	
		11	17269	(001000-) Wheel, Steering	1
		12	57676	(001000-) Nut	1
▽	13	52388	(001000-) Column, Steering	1	
▲		388153	(001000-) Cap, Tube	1	
▲		74142	(001000-) Kit, Contact And Brush, [64433-000] En	1	
	14	44310	(001000-) Sleeve	2	
	15	10829	(001000-) Screw, Socket	2	
	16	57982	(001000-001103) Control, Steering (See Breakdowns)	1	
	16	74176	(001104-) Control, Steering (See Breakdowns)	1	
	17	56690	(001000-) Fitting, Straight	2	
	18	56820	(001000-) Fitting, Elbow	2	

Fig. 23 - Hydraulic Directional Pedal Group, Diesel (001104-)

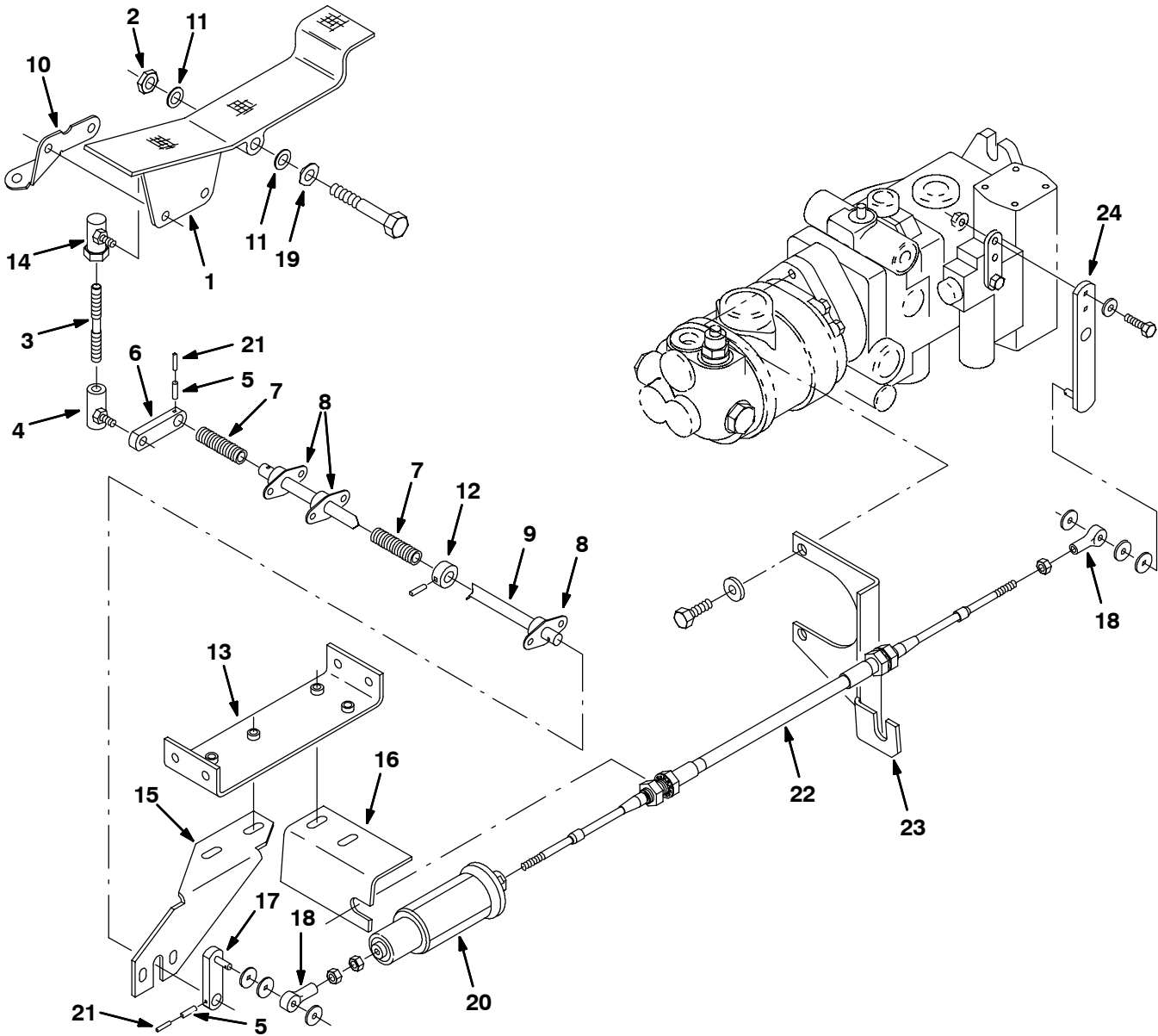
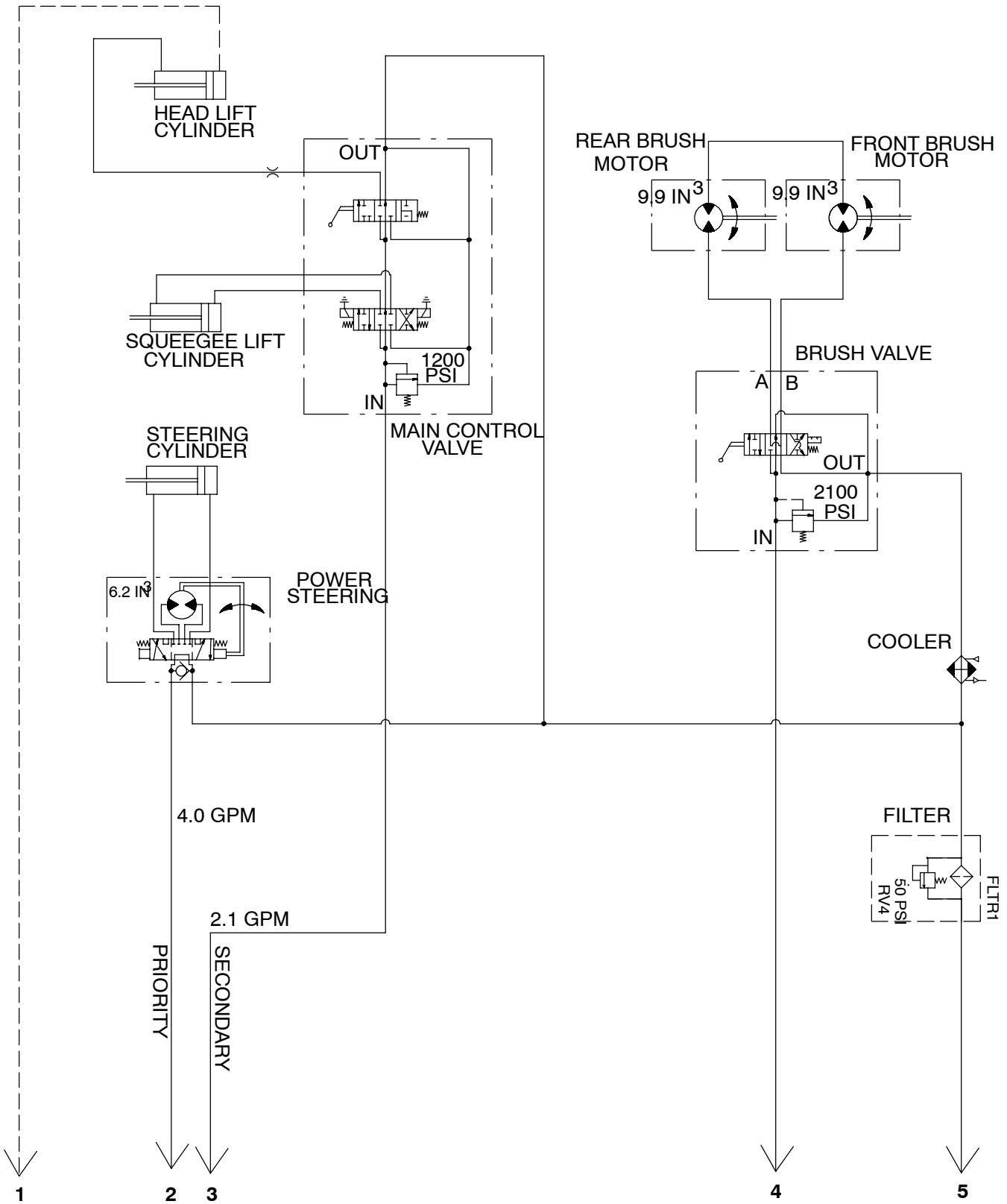


Fig. 23 - Hydraulic Directional Pedal Group, Diesel (001104-)

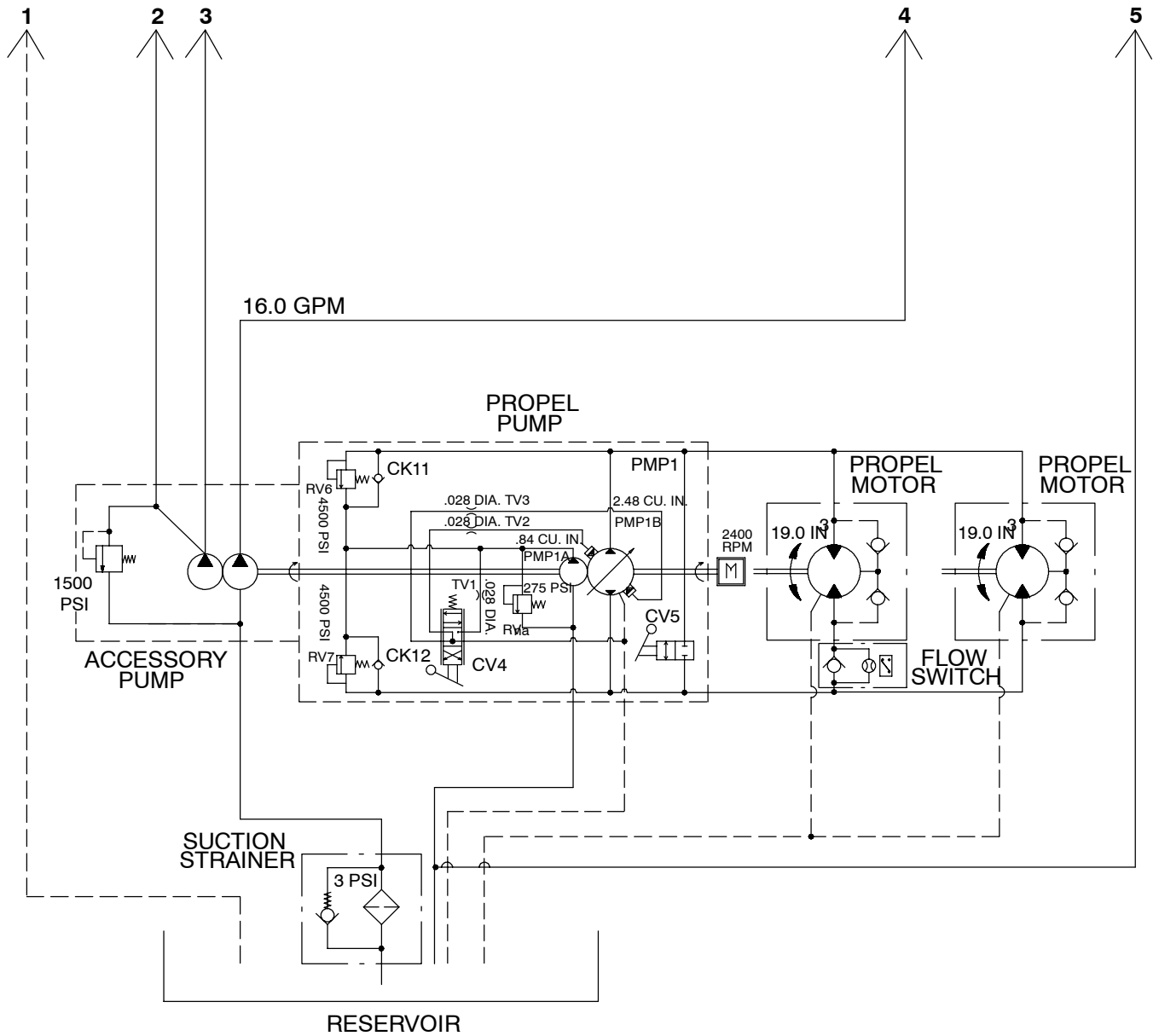
Ref.	Part No.	Serial Number	Description	Qty.
1	42240	(001104-) Pedal, Foot Speed	1
2	86029	(001104-) Nut, Nex, Thin	1
3	79074	(001104-) Stud	1
4	50493	(001104-) Ball Joint,	1
5	22134	(001104-) Pin, Roll	2
6	52789	(001104-) Link, Directional Control	1
7	22290	(001104-) Spring	2
8	47585	(001104-) Bearing, Flange	3
9	79067	(001104-) Shaft, Control	1
10	79066	(001104-) Bracket, Stop	1
11	59633	(001104-) Bearing, Thrust	1
12	75371	(001104-) Collor, Locking	1
13	79068	(001104-) Bracket, Main	1
14	63282	(001104-) Ball Joint, Upper	1
15	79069	(001104-) Bracket, Mtg, Bearing	1
16	79070	(001104-) Bracket, Cable	1
17	79077	(001104-) Link, Direct Control	1
18	68866	(001104-) Rod End	2
19	52508	(001104-) Washer, Wavy	1
20	63292	(001104-) Spring, Propel, Centering	1
21	46029	(001104-) Pin, Roll	2
22	79080	(001104-001505) Cable, Push/Pull, 31.5l, 3.0 .25-28	1
22	65439	(001508-) Cable, Push/Pull, 33.5l	1
23	1015338	(001104-) Bracket, Cable & Alarm	1
24	79114	(001104-) Lever, Pump	1

Fig. 24 - Hydraulic Schematic, Diesel (001000-)



11122 - 550, 1550, D

Fig. 24 - Hydraulic Schematic, Diesel (001000-)



11122 - 550, 1550, D

Fig. 25 - Hydraulic Hoses Group, Diesel (001104-)

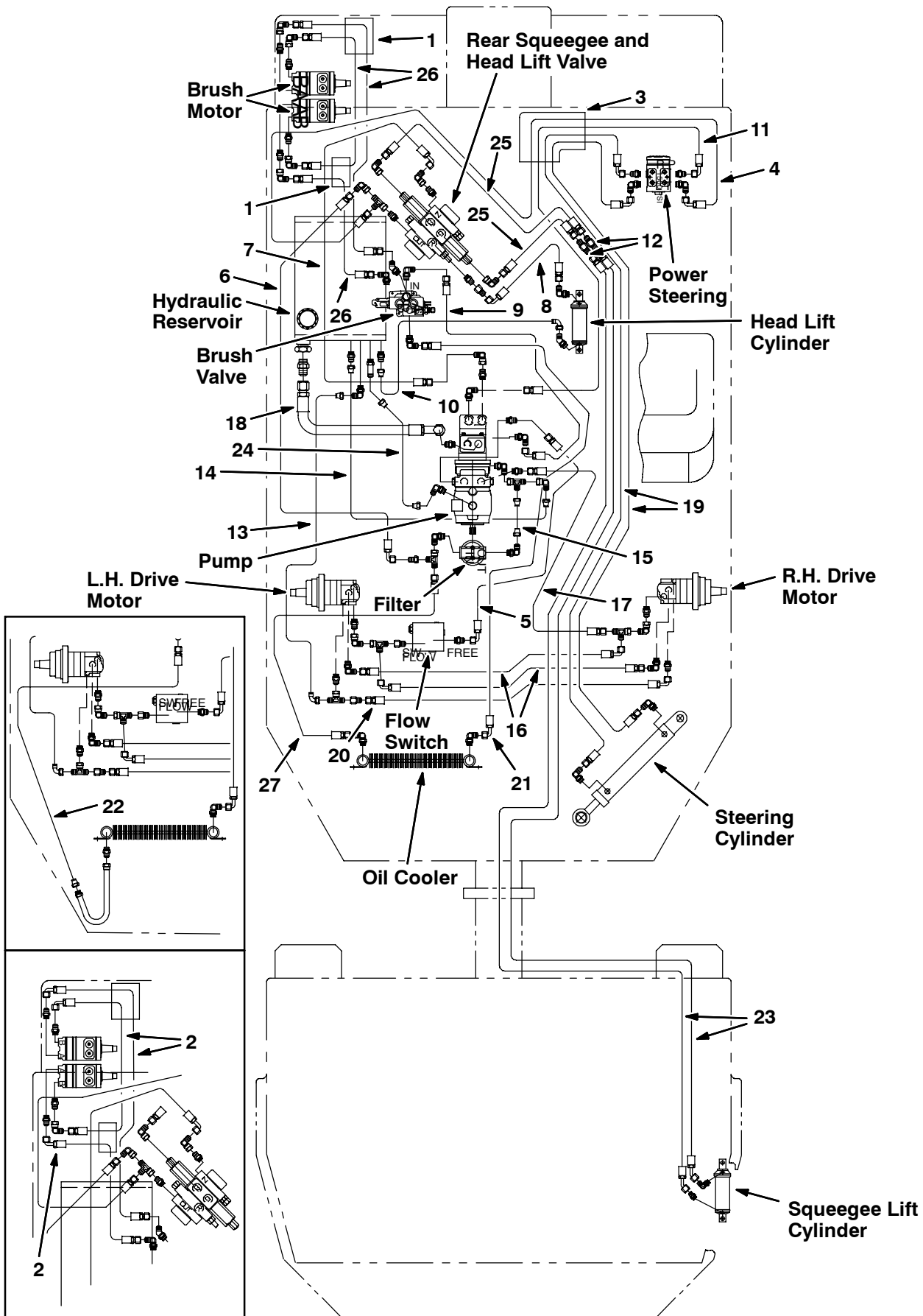


Fig. 25 - Hydraulic Hoses Group, Diesel (001104-)

Ref.	Part No.	Serial Number	Description	Qty.
1	82832	(001104-)	Sleeve, Hose	2
2	79079	(001104-001351)	Hose, Hydraulic	3
3	31672	(001104-)	Sleeve, Hose	1
4	02683	(001104-)	Hose, Hydraulic	1
5	79106	(001104-)	Hose, Hydraulic	1
6	59560	(001104-)	Hose, Hydraulic	1
7	31598	(001104-)	Hose, Hydraulic	1
8	57964	(001104-)	Hose, Hydraulic	1
9	79104	(001104-)	Hose, Hydraulic	1
10	31600	(001104-)	Hose, Hydraulic	1
11	31597	(001104-)	Hose, Hydraulic	1
12	27774	(001104-)	Fitting, Straight	2
13	31603	(001104-)	Hose, Hydraulic	1
14	55775	(001104-)	Hose, Hydraulic	1
15	82835	(001104-)	Hose, Hydraulic	1
16	79105	(001104-)	Hose, Hydraulic	2
17	79107	(001104-)	Hose, Hydraulic	1
18	34351	(001104-)	Hose, Hydraulic	1
19	31565	(001104-)	Hose, Hydraulic	2
20	31602	(001104-)	Hose, Hydraulic	1
21	31610	(001104-)	Hose, Hydraulic	1
22	31611	(001104-001423)	Hose, Hydraulic	1
23	31570	(001104-)	Hose, Hydraulic	2
24	57568	(001104-001109)	Hose, Hydraulic	1
24	65202	(001110-)	Hose, Hydraulic	1
25	34380	(001104-)	Hose, Hydraulic	2
26	375761	(001352-)	Hose, Hydraulic	3
27	42208	(001424-)	Hose, Hydraulic	1

Fig. 26 - Hydraulic Control Valves Group, Diesel (001000-)

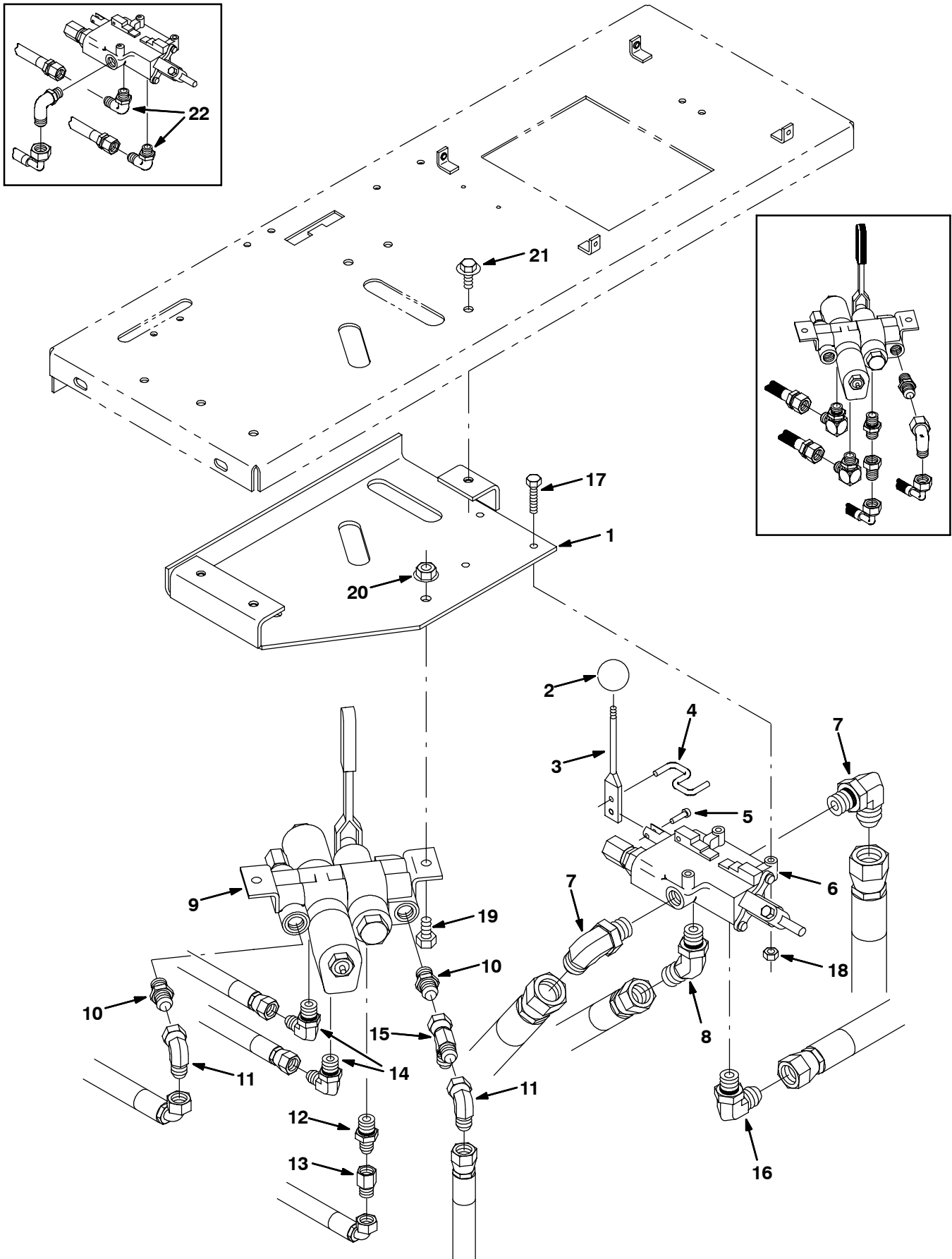
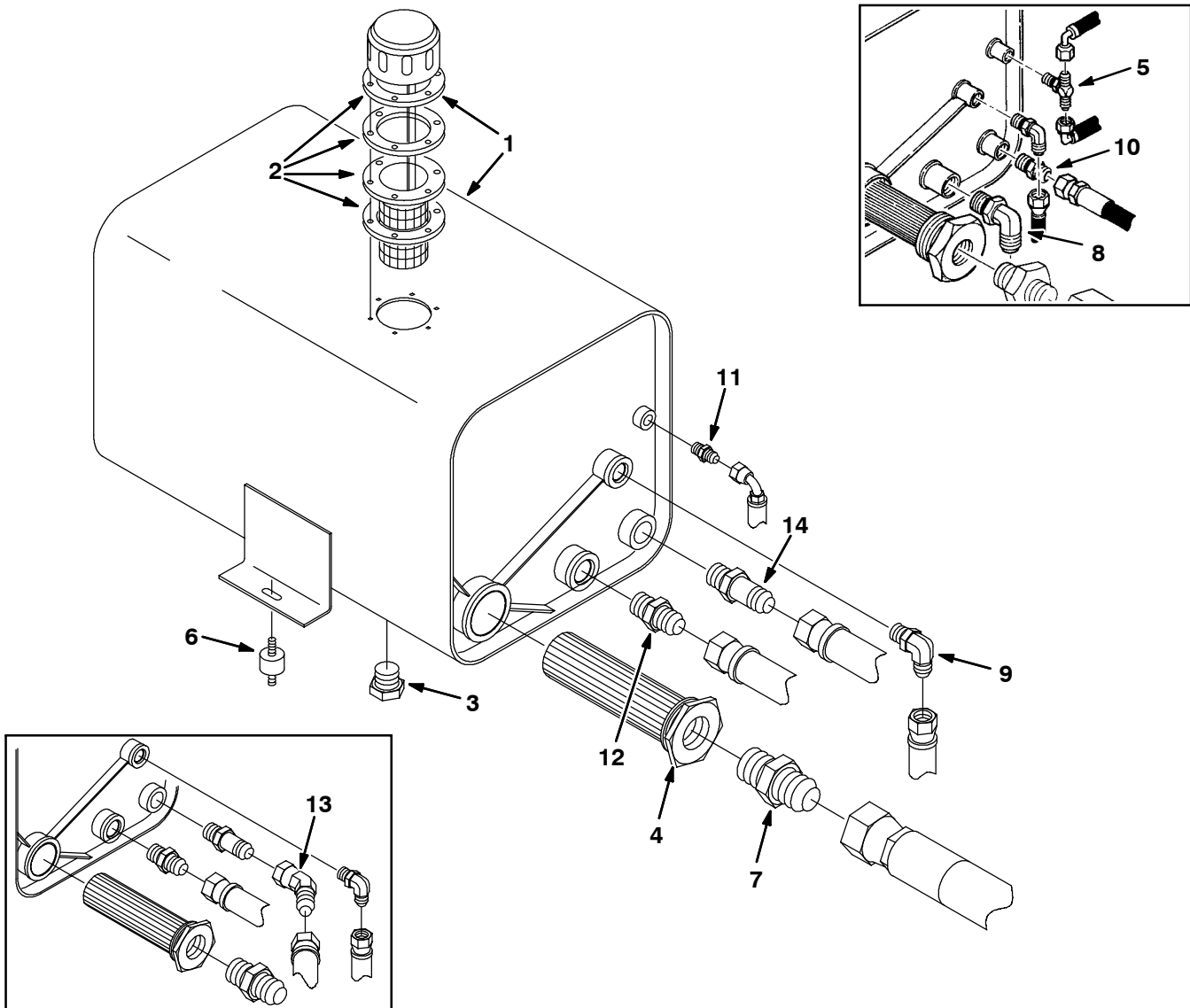


Fig. 26 - Hydraulic Control Valves Group, Diesel (001000-)

Ref.	Part No.	Serial Number	Description	Qty.
1	1016010	(001000-) Bracket Wldt, Mtg, Valve	1
2	26565	(001000-) Knob	1
3	62234	(001000-) Rod and Link	1
4	32759	(001000-) Link, Hook	1
5	14605	(001000-) Pin, Clevis	1
6	32761	(001000-) Valve, Hydraulic (See Breakdowns)	1
7	47498	(001000-) Fitting, Elbow	2
8	77099	(001104-) Fitting, Elbow, 45°	1
9	31575	(001000-) Valve, Hydraulic (See Breakdowns)	1
10	56690	(001000-) Fitting, Straight	2
11	47504	(001000-) Fitting, Elbow	2
12	55685	(001000-) Fitting, Straight	1
13	16456	(001000-) Fitting, Restrictor	1
14	47638	(001000-) Fitting, Elbow	2
15	42215	(001104-) Fitting, Tee	1
16	56827	(001104-) Fitting, Elbow	1
17	25048	(001000-) Screw, Hex, .25-20 X 1.50, 5	3
18	32981	(001000-) Nut, Hex, Lock, .25-20, NI	3
19	21195	(001000-) Screw, Hex, .38-16 X 0.75, 5	2
20	27980	(001000-) Nut, Hex, Flng, .38-16	2
21	16953	(001000-) Screw, Hex, .31-18 X 0.75, Sems	3
22	44868	(001000-001103) Fitting, Elbow	2

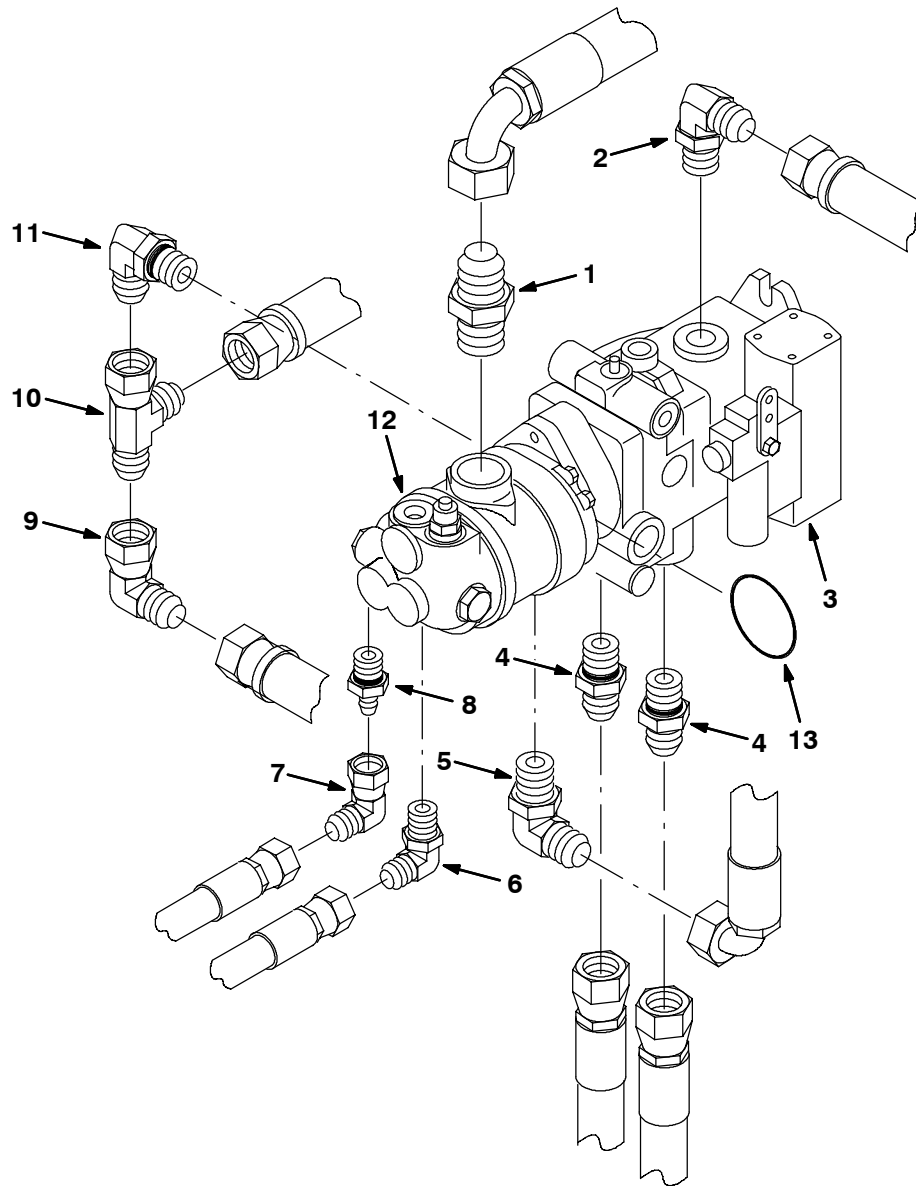
Fig. 27 - Hydraulic Reservoir Group, Diesel (001000-)



09876 - 1550

Ref.	Part No.	Serial Number	Description	Qty.
▽	1	31557	(001000-) Reservoir Assembly, Hydraulic	1
▲	2	31559	(001000-) Breather, Filler	1
▲	3	40362	(001000-) Fitting, Plug	1
	4	31613	(001000-) Strainer, Suction	1
	5	31599	(001000-001103) Fitting, Tee	1
	6	82661	(001000-) Isolator, Vibration	4
	7	58858	(001000-) Fitting, Straight	1
	8	46481	(001000-001103) Fitting, Elbow	1
	9	56820	(001000-) Fitting, Elbow	1
	10	44869	(001000-001103) Fitting, Straight	1
	11	55586	(001104-) Fitting, Straight	1
	12	42260	(001104-) Fitting, Straight	1
	13	07934	(001104-001109) Fitting, Elbow, 45°	1
	14	62390	(001104-) Fitting, Straight	1

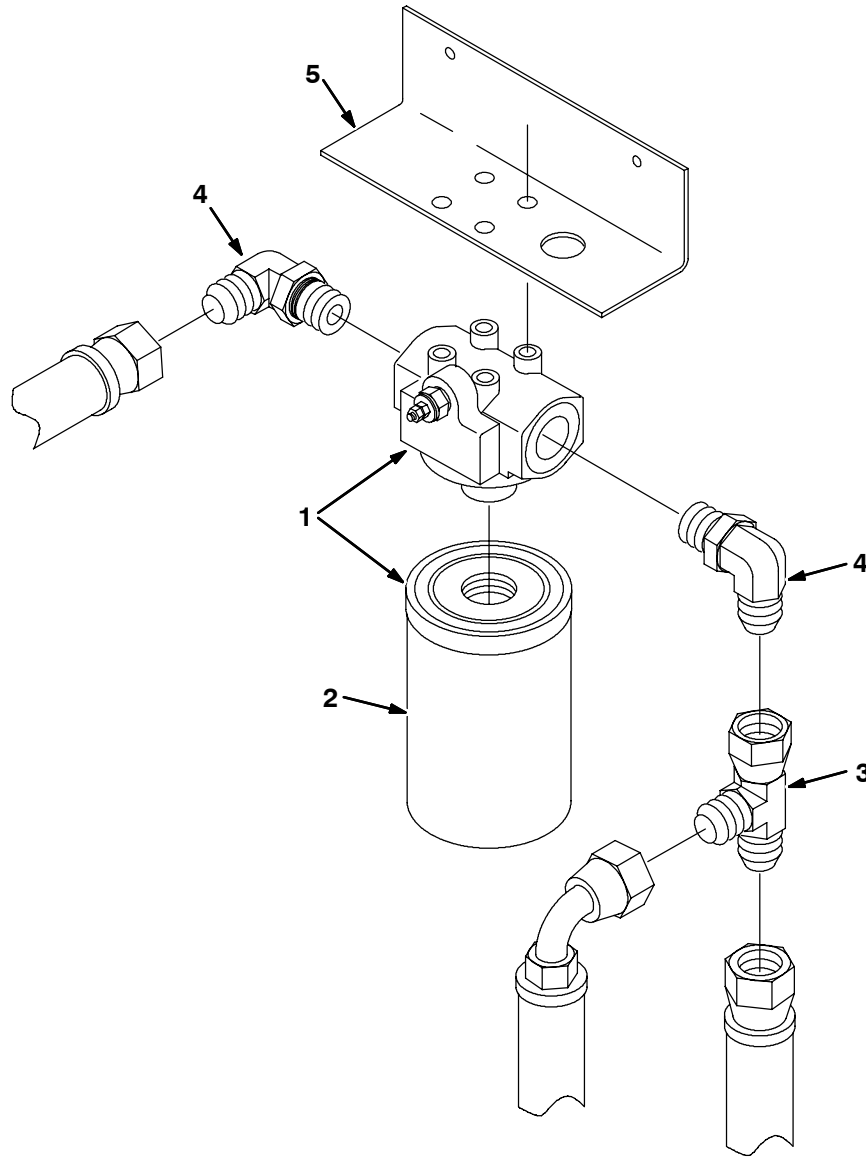
Fig. 28 - Hydraulic Pumps Group, Diesel (001104-)



10144 - 550, 1550, D

Ref.	Part No.	Serial Number	Description	Qty.
1	58858	(001104-)	Fitting, Straight	1
2	46481	(001104-)	Fitting, Elbow	1
3	74163	(001104-001369)	Pump, Hydrualic (See Breakdowns)	1
3	373404	(001370-)	Pump, Hydrualic (See Breakdowns)	1
4	67310	(001104-)	Fitting, Straight	2
5	47498	(001104-)	Fitting, Elbow	1
6	47512	(001104-)	Fitting, Elbow	1
7	47504	(001104-)	Fitting, Elbow	1
8	47508	(001104-)	Fitting, Elbow	1
9	35033	(001104-)	Fitting, Elbow	1
10	40514	(001104-)	Fitting, Tee	1
11	52911	(001104-)	Fitting, Elbow	1
12	79078	(001104-001423)	Pump, Hydrualic (See Breakdowns) (Replaced by 373245)	1
12	373245	(001424-)	Pump, Hydrualic (See Breakdowns)	1
13	65145-1	(001104-)	Seal, O-Ring	1

Fig. 29 - Hydraulic Filter Group, Diesel (001104-)



10149 - 550, 1550, D

Ref.	Part No.	Serial Number	Description	Qty.
▽	1	10664	(001104-) Filter Assembly, Hydraulic	1
▲	2	65221	(001104-) Element, Filter	1
	3	40514	(001104-) Fitting, Tee	1
	4	46481	(001104-) Fitting, Elbow	2
	5	79075	(001104-) Bracket, Filters Mounting	1

Fig. 30 - Electrical Schematic, Diesel (001000-001423)

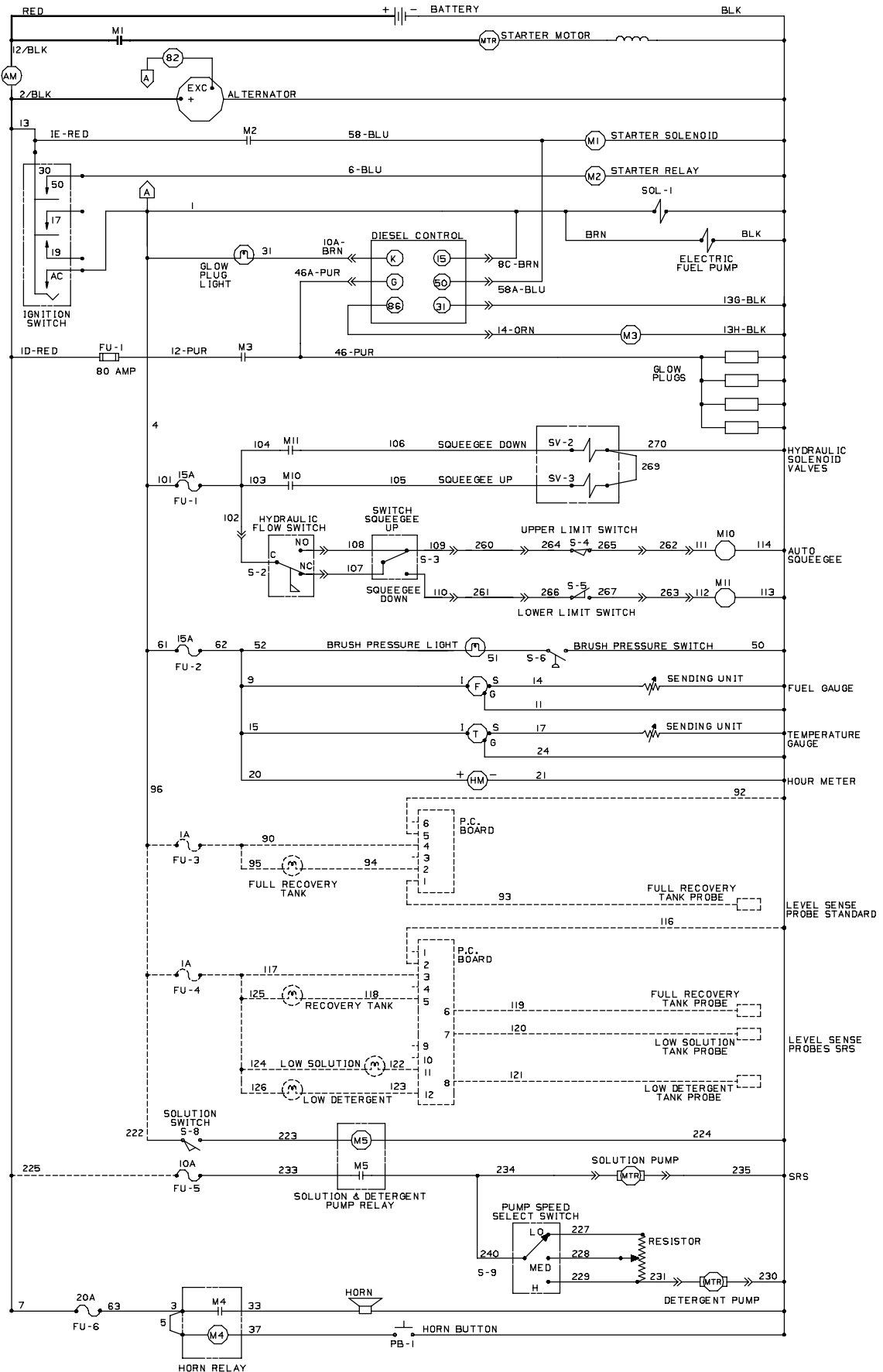


Fig. 31 - Electrical Schematic, Diesel (001424-001505)

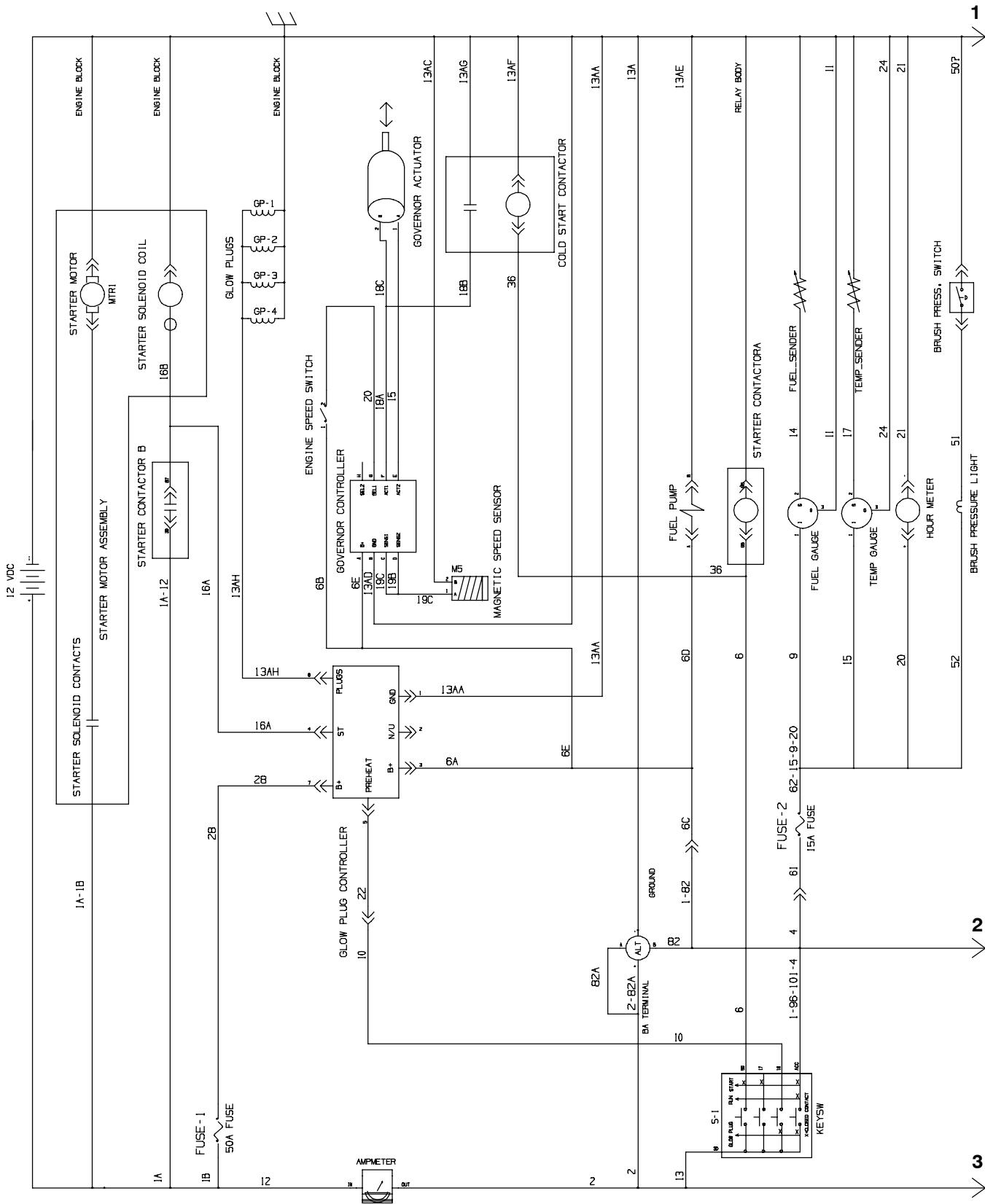
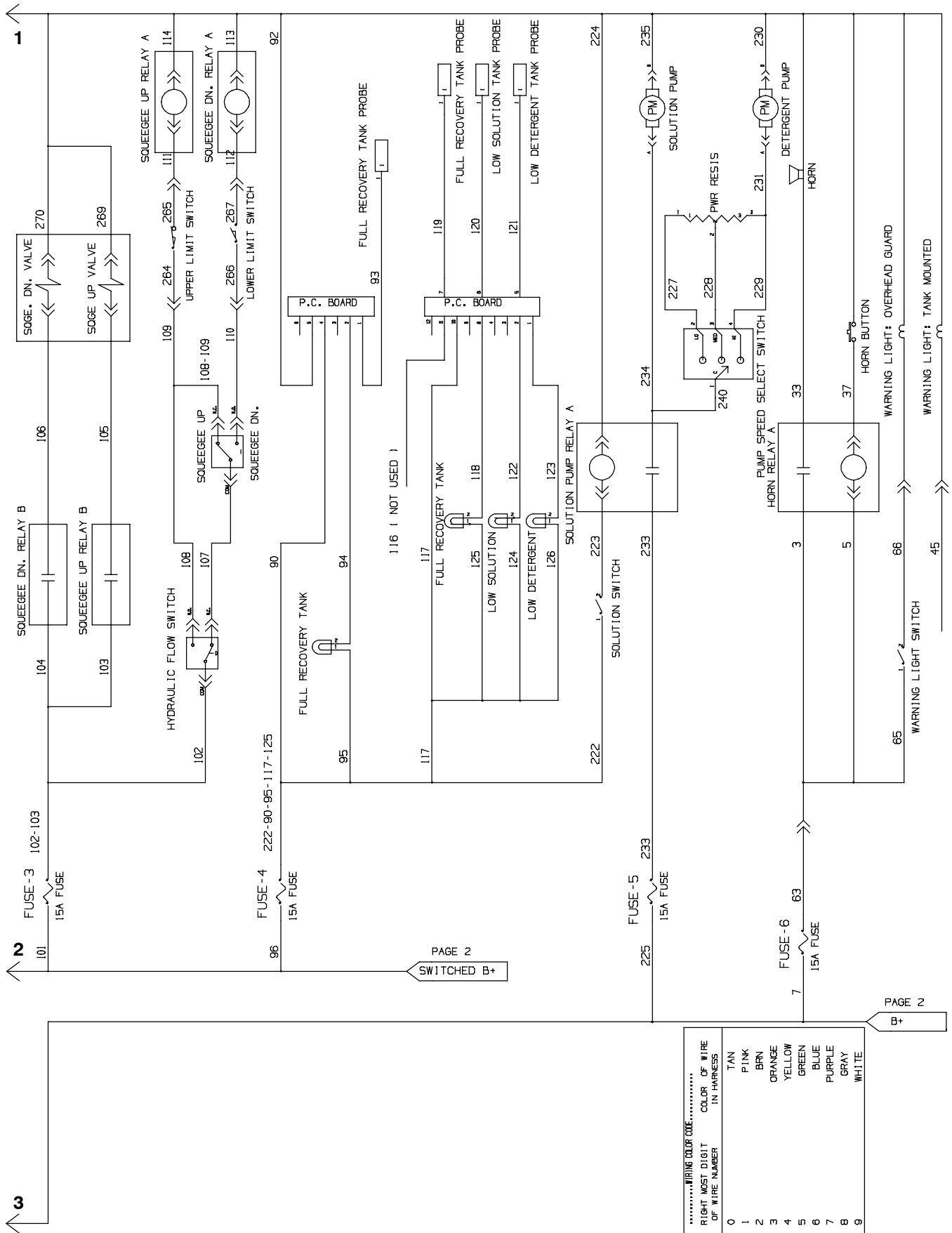


Fig. 31 - Electrical Schematic, Diesel (001424-001505)



1013551 - 550, 1550, D, Perk

Fig. 31 - Electrical Schematic, Diesel (001424-001505)

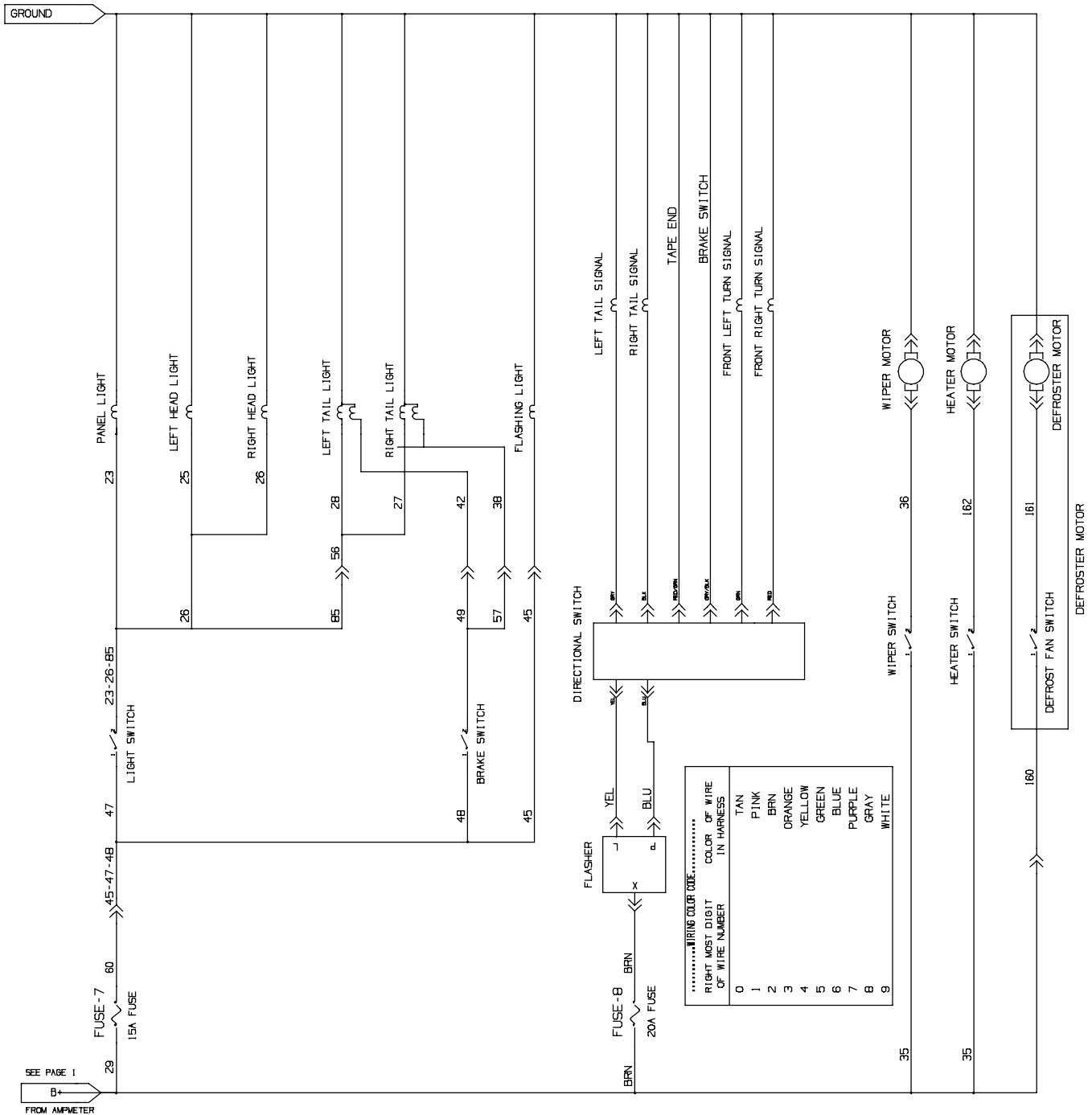
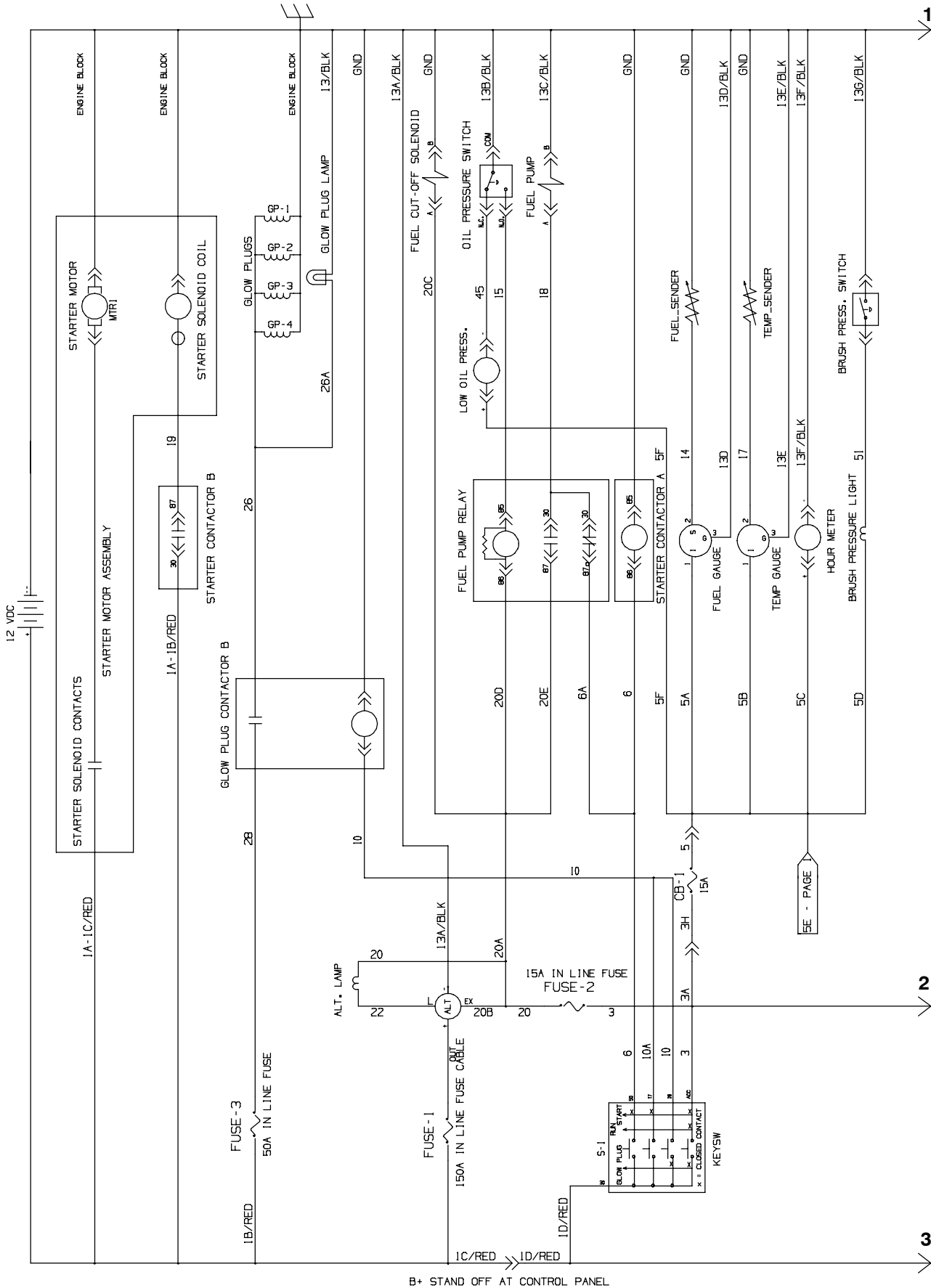
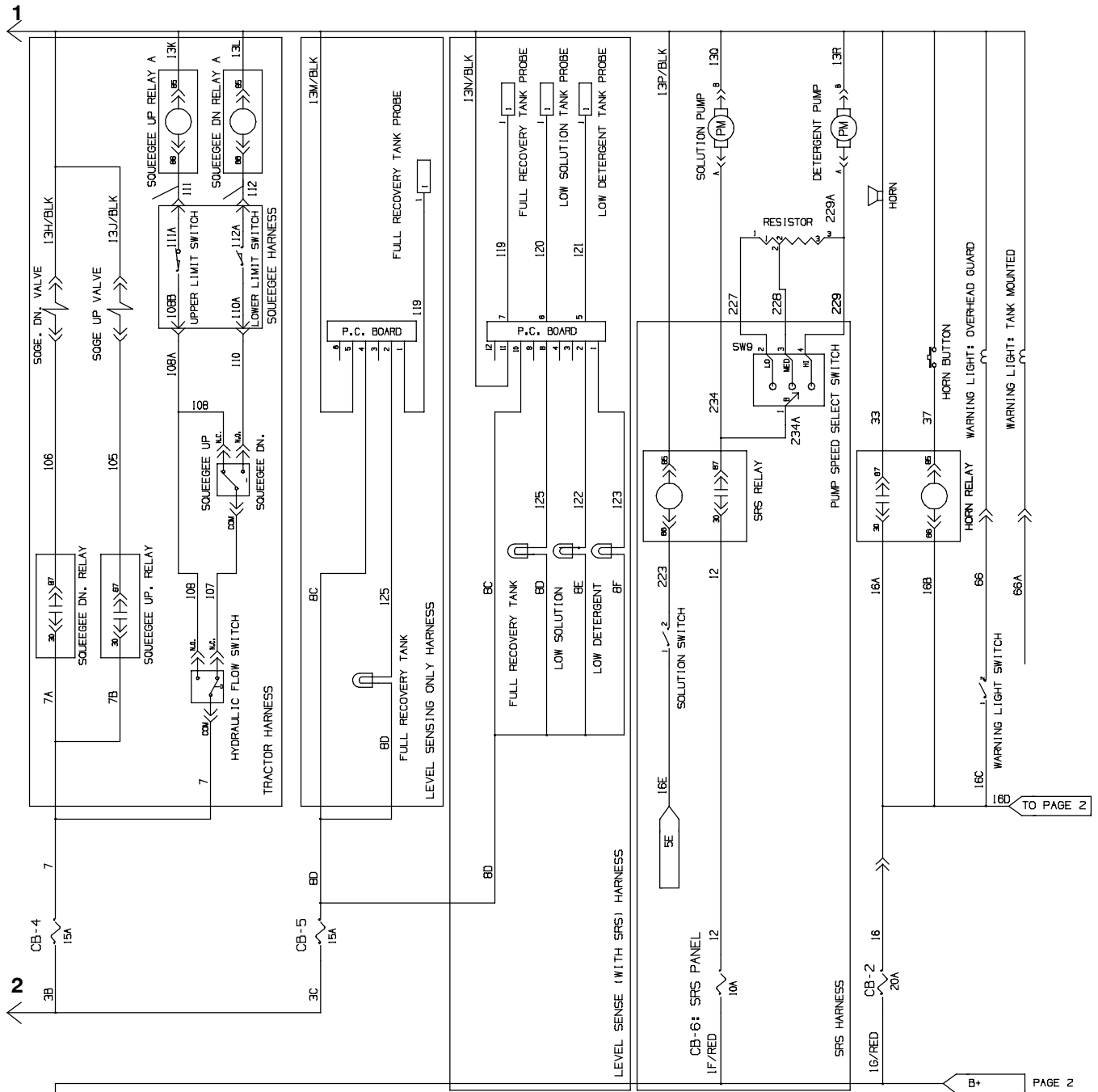


Fig. 32 - Electrical Schematic, Diesel (001508-)



B+ STAND OFF AT CONTROL PANEL

Fig. 32 - Electrical Schematic, Diesel (001508-)



.....WIRING COLOR CODE.....

RIGHT MOST DIGIT OF WIRE NUMBER	COLOR OF WIRE IN HARNESS
0	TAN
1	PINK
2	BRN
3	ORANGE
4	YELLOW
5	GREEN
6	BLUE
7	PURPLE
8	GRAY
9	WHITE

UNLESS SPECIFIED DIFFERENTLY ON SCHEMATIC.

3

N

1

Fig. 32 - Electrical Schematic, Diesel (001508-)

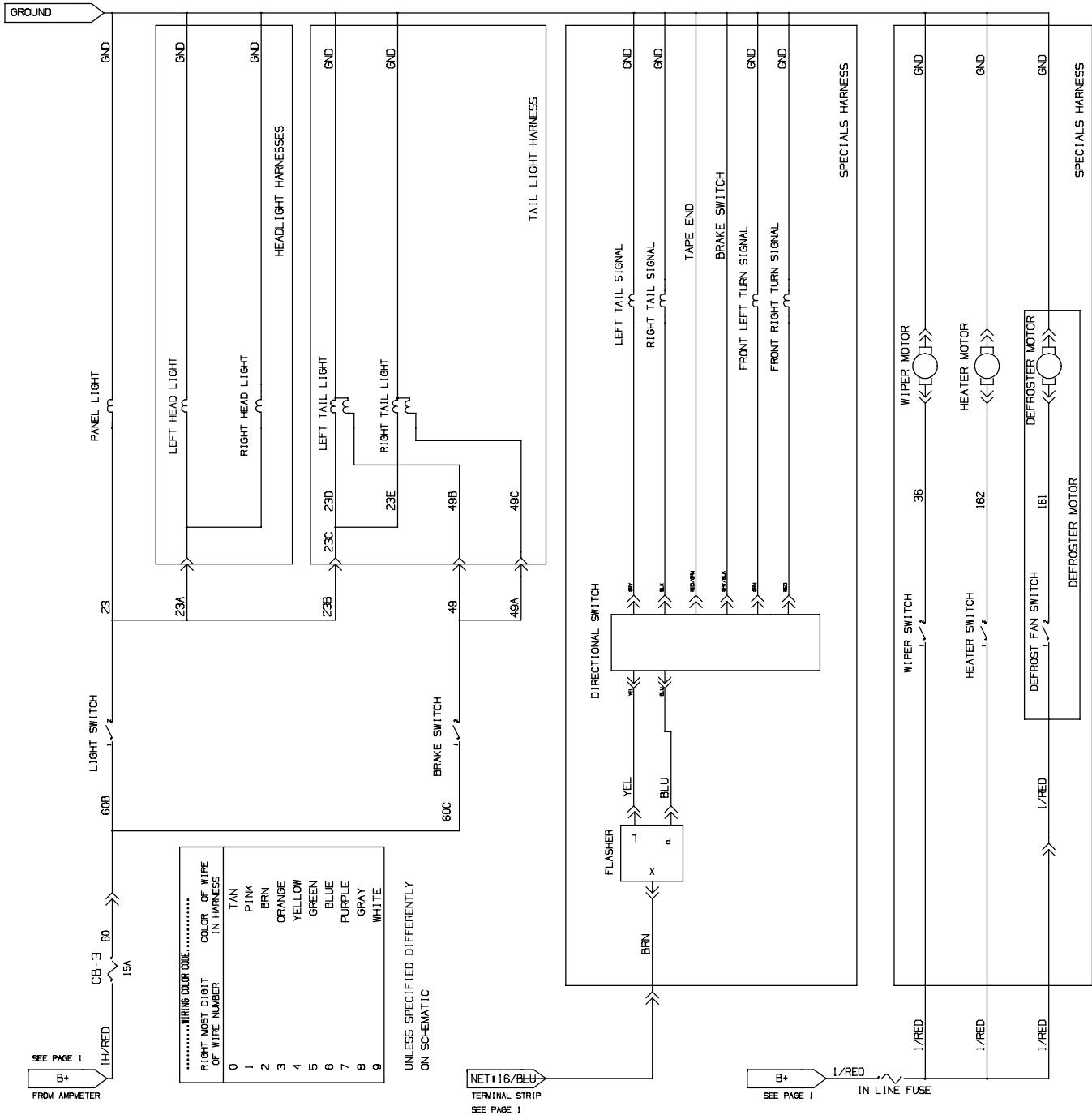


Fig. 33 - Electrical Wire Harnesses Group, Diesel (001508-)

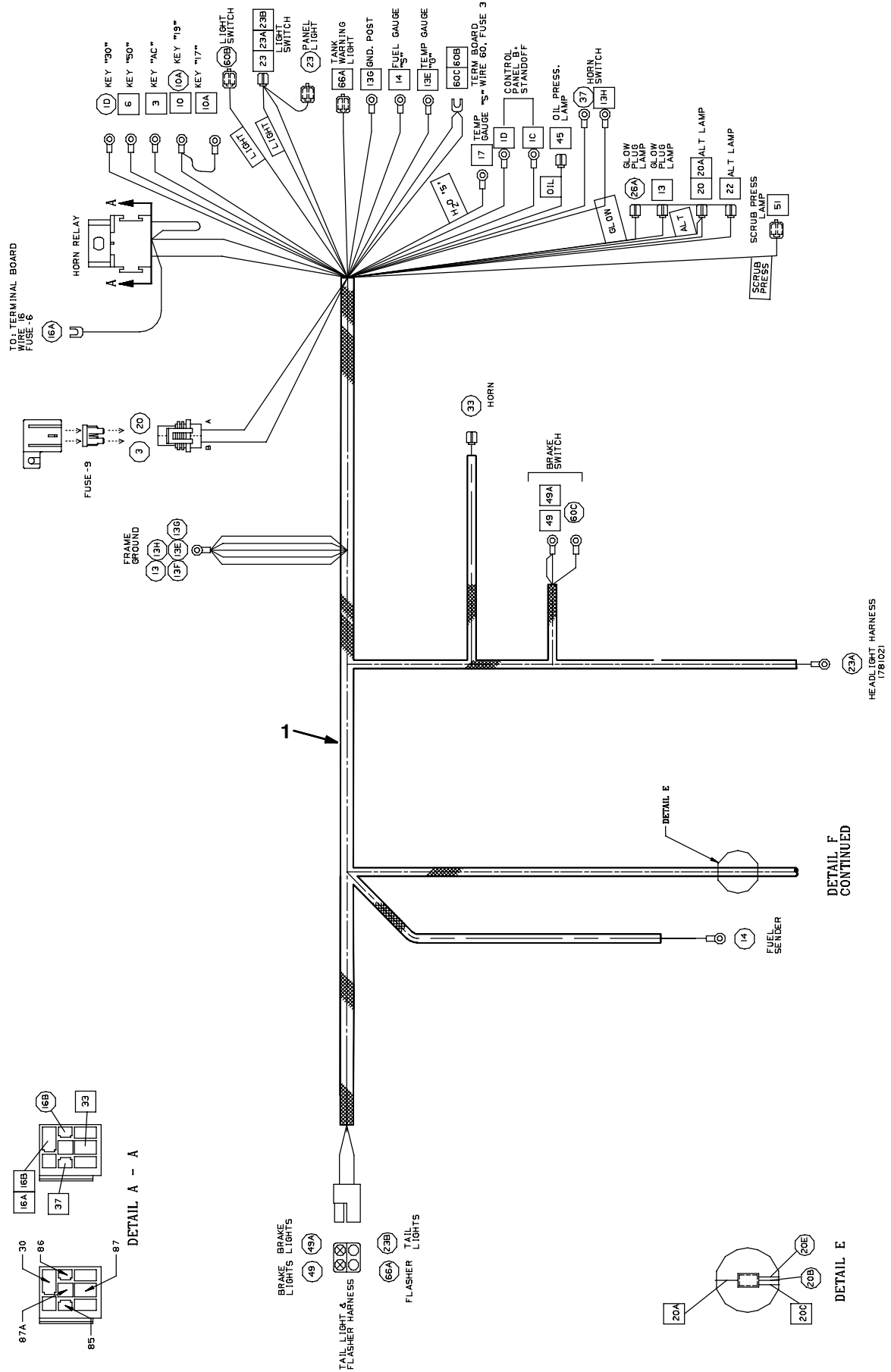


Fig. 33 - Electrical Wire Harness Group, Diesel (001508-)

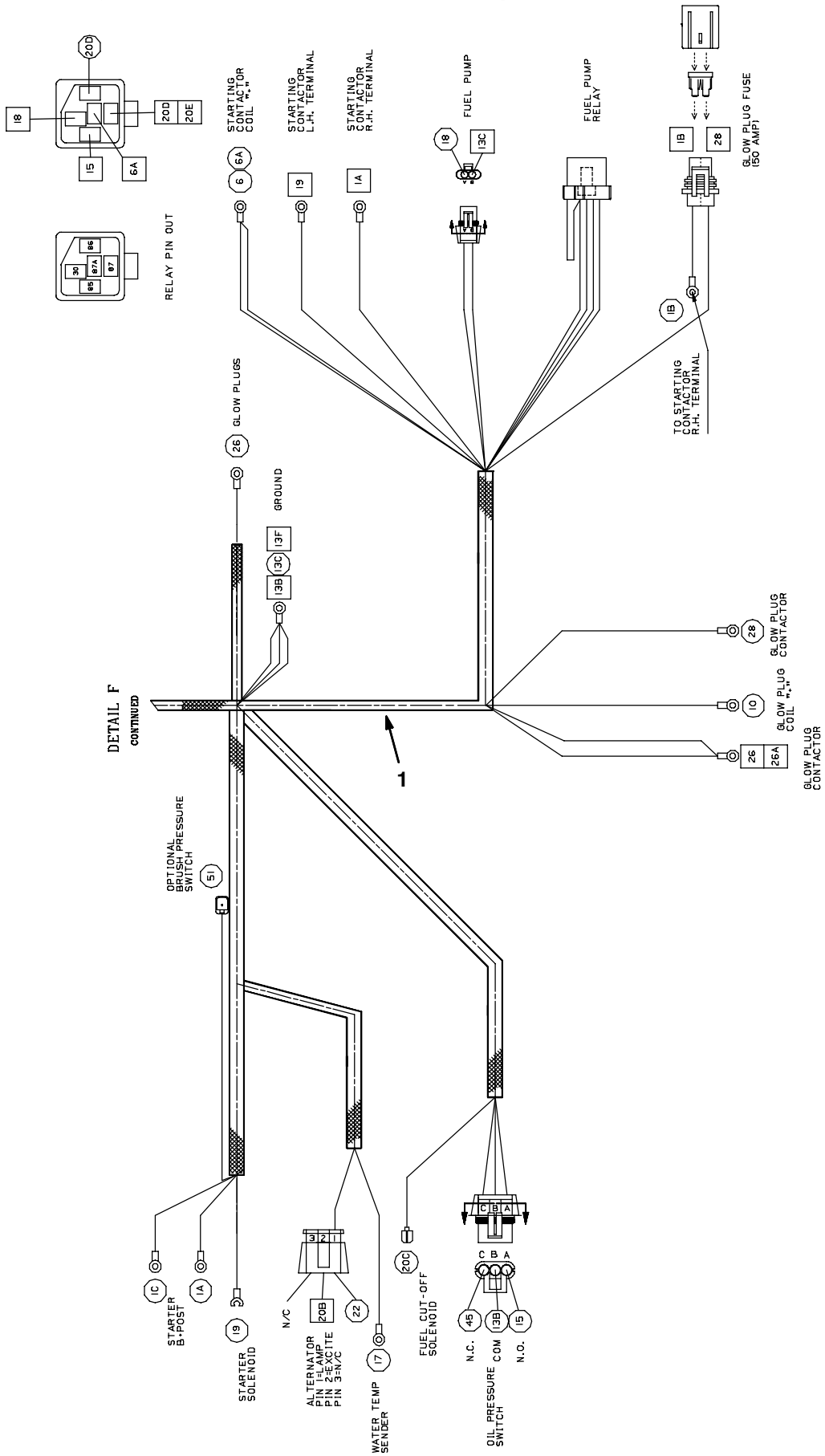


Fig. 33 - Electrical Wire Harness Group, Diesel (001508-)

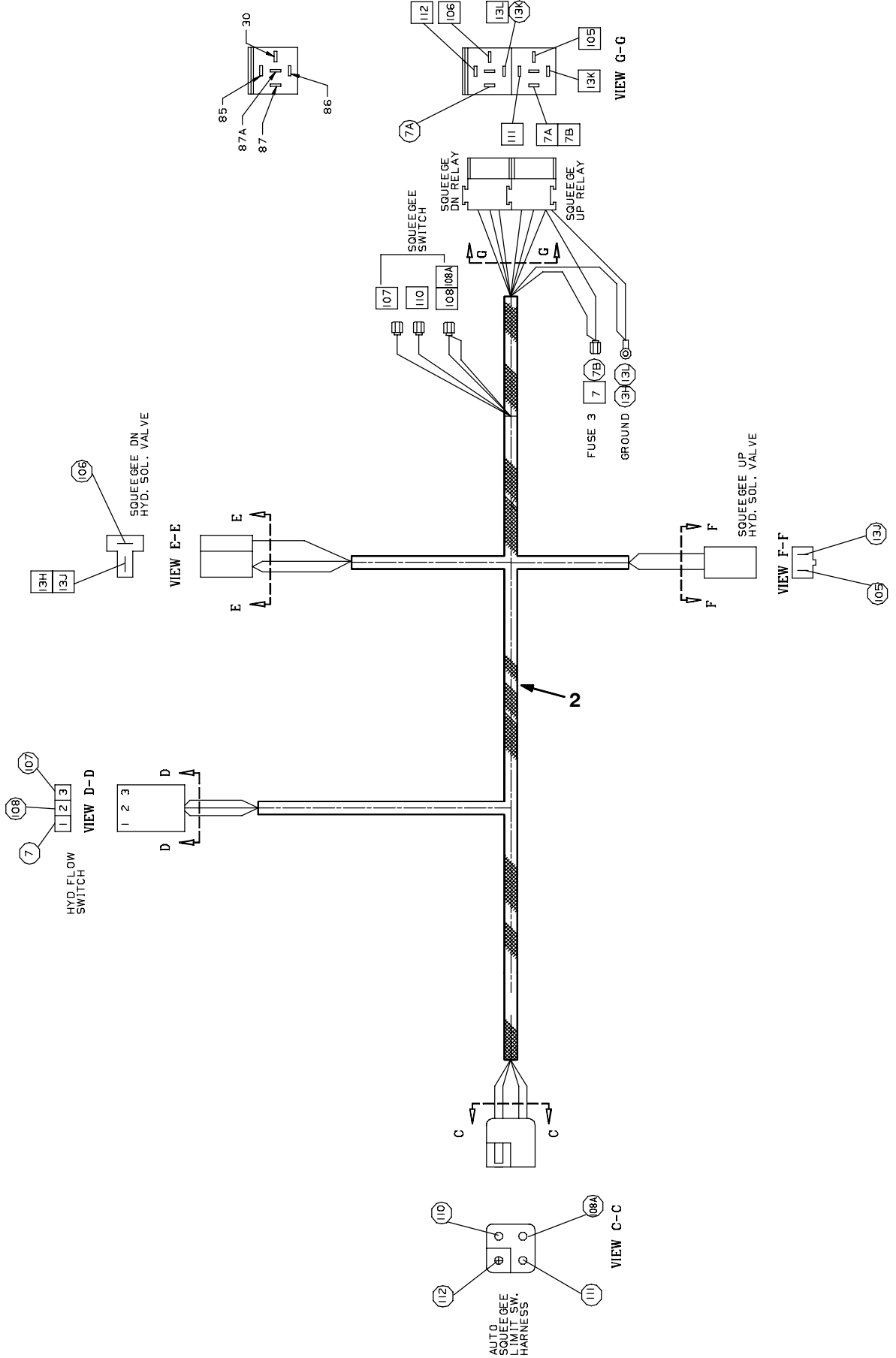


Fig. 33 - Electrical Wire Harness Group, Diesel (001508-)

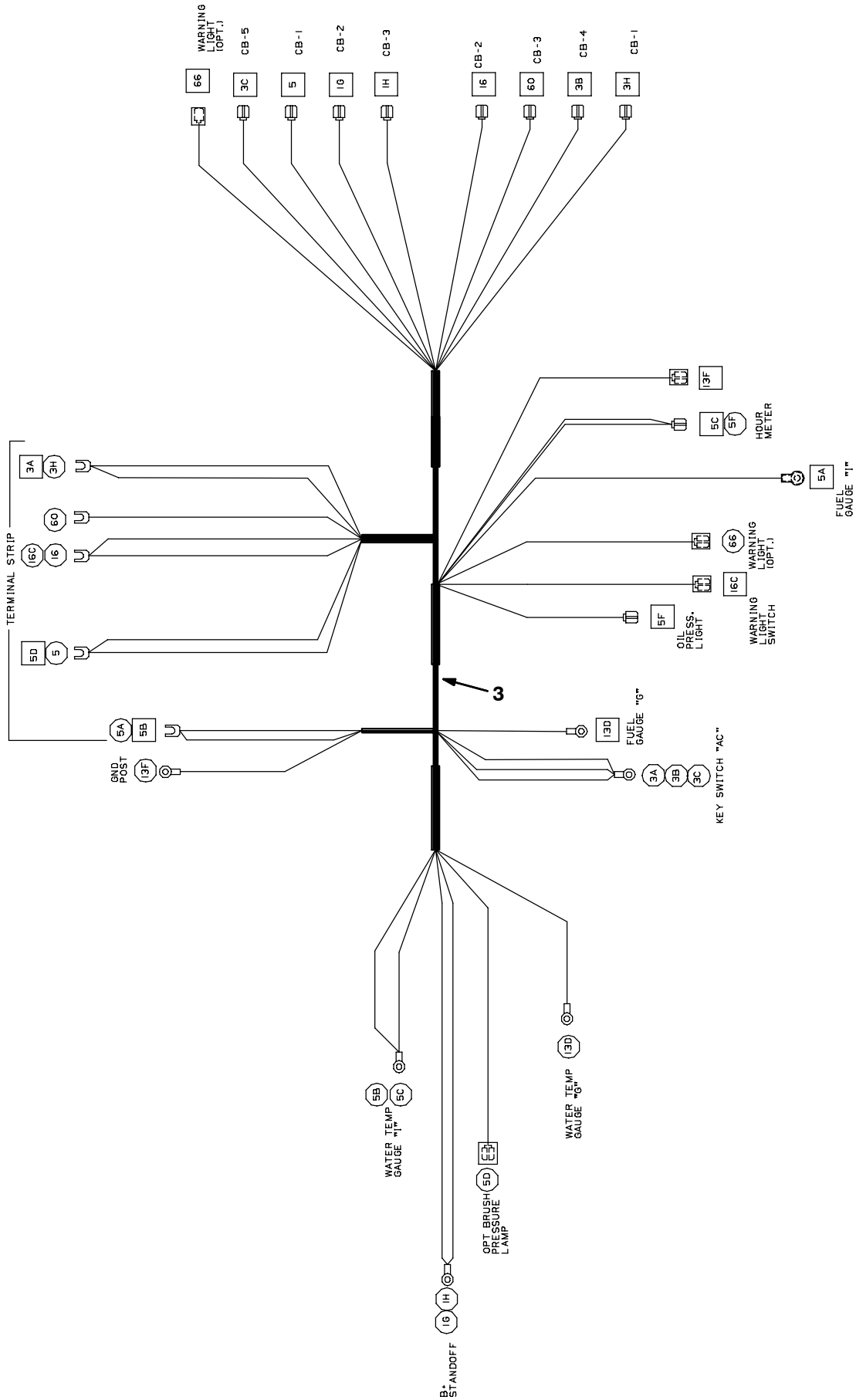


Fig. 33 - Electrical Wire Harnesses Group, Diesel (001508-)

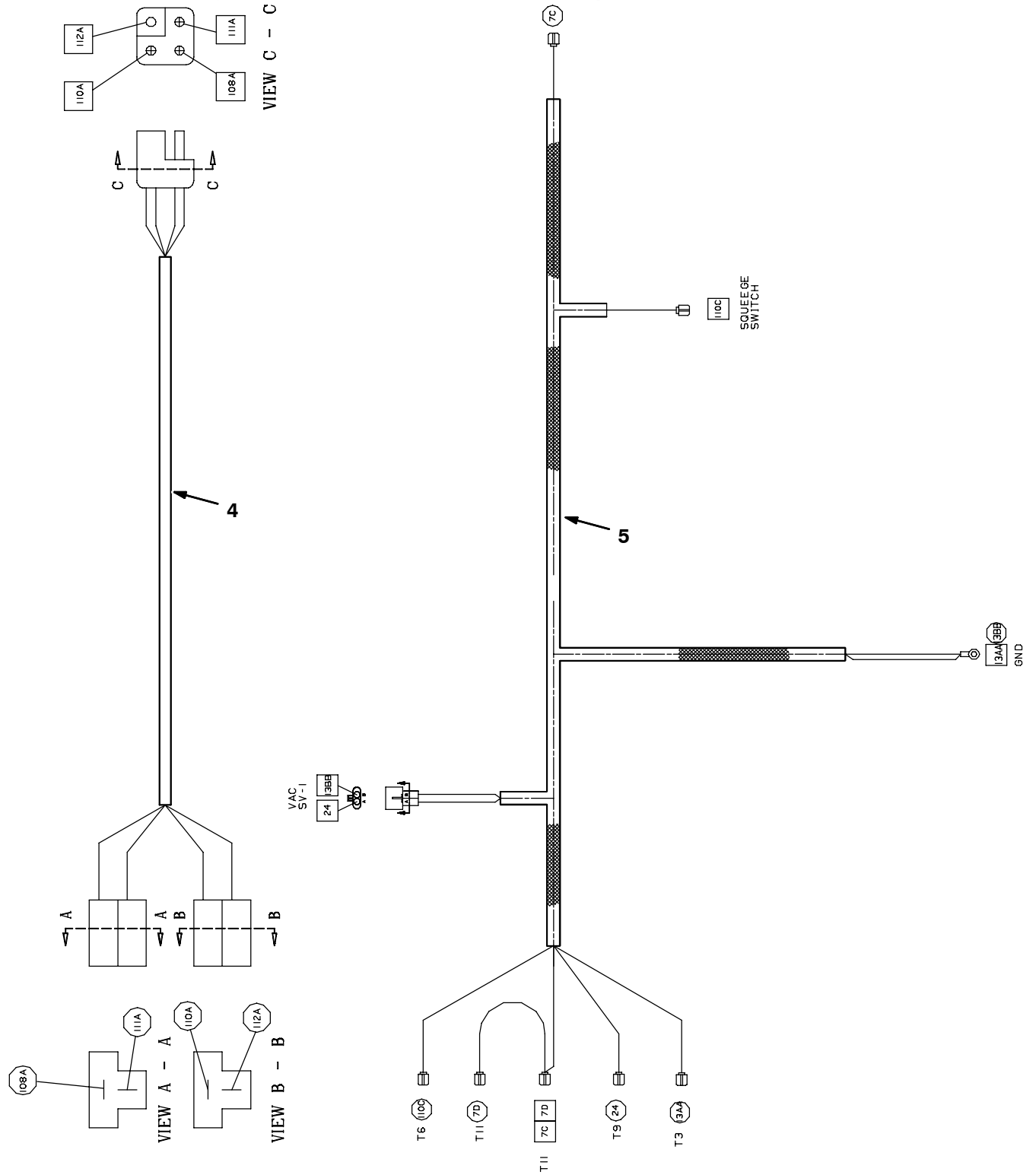
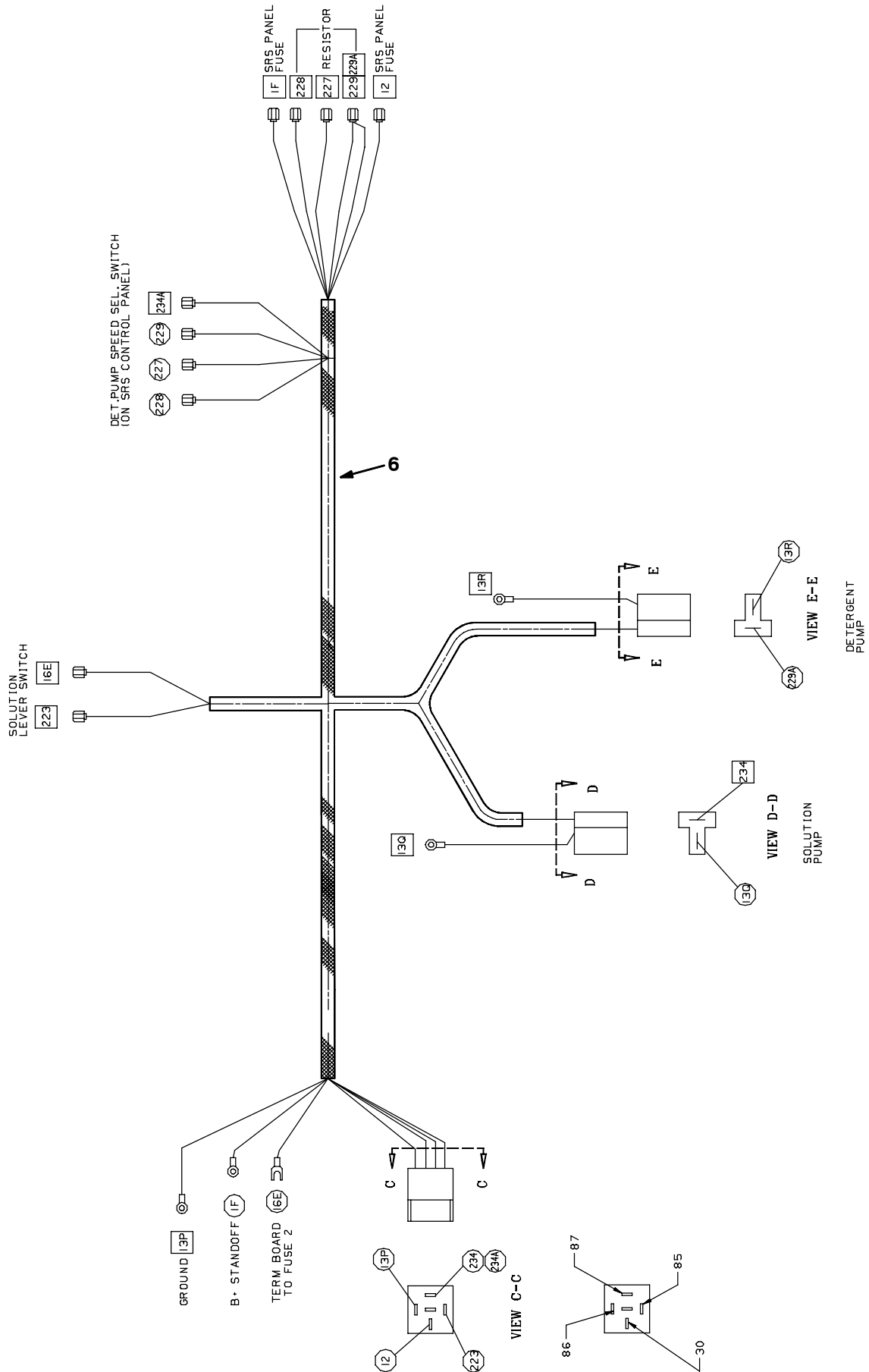


Fig. 33 - Electrical Wire Harness Group, Diesel (001508-)



354310, 354290, 354289, 354288, 354287, 354286 - 1550, D, CAT

Fig. 33 - Electrical Wire Harnesses Group, Diesel (001508-)

Ref.	Part No.	Serial Number	Description	Qty.
1	391900	(001508-) Harness, Main, Dsl, [550/1550 Cat]	1
2	391907	(001508-) Harness, Tractor [550/1550]	1
3	391902	(001508-) Harness, Panel, Control [550]	1
4	391909	(001508-) Harness, Tank, Sqge [1550]	1
5	363992	(001508-) Harness, Sqge, Vacuum	1
6	391908	(001508-) Harness, Srs [1550]	1

Fig. 34 - Instrument Panel Group, Diesel (001508-)

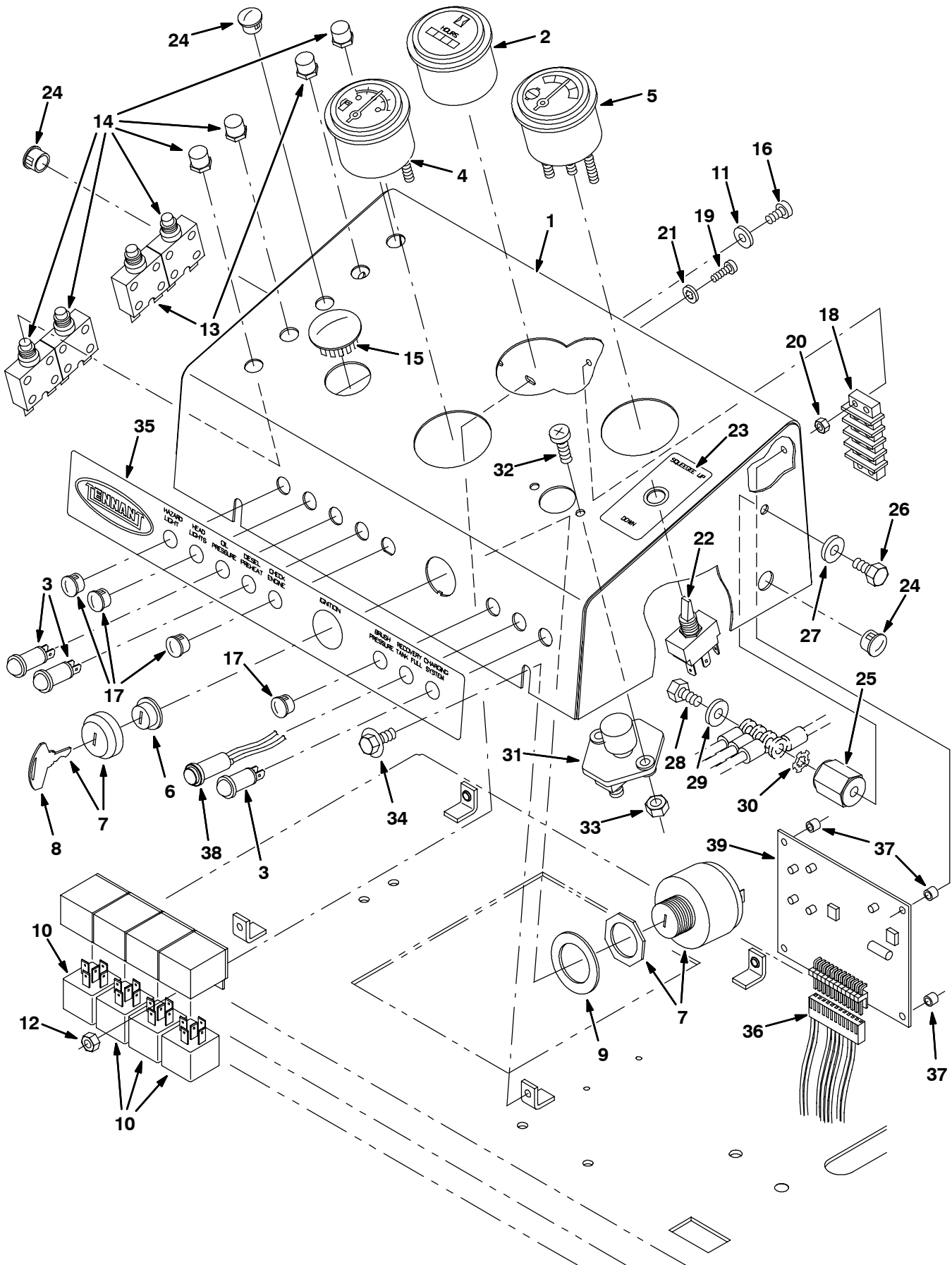


Fig. 34 - Instrument Panel Group, Diesel (001508-)

Ref.	Part No.	Serial Number	Description	Qty.	
1	1015379	(001508-) Panel Wldt, Console, Instmt [550]	1	
2	34810	(001508-) Hourmeter, 12-24vdc, Analog, Rnd	1	
3	34820	(001508-) Light, Panl, 14vdc, Red, 0.6d	3	
4	34813	(001508-) Gauge, Fuel, 0-90ohm 8-18vdc	1	
5	50330	(001508-) Gauge, Temp, 100-260 2.3d 12vdc	1	
6	382516	(001508-) Boot, Switch	1	
▽	7	87536	(001508-) Switch, Ign [Ku]	1
▲	8	87866	(001508-) Key, Ignition, [Set Of 2]	1
9	73736	(001508-) Washer, 1.15b 1.75d .08, Stl	1	
10	57804	(001508-) Relay, 12vdc, 40a, Spdt, [Potter]	4	
11	19065	(001508-) Washer, Flat, #08	4	
12	45181	(001508-) Nut, Hex, Lock, #10-24, NI	4	
13	383723	(001508-) Circuitbreaker, 20.0a, Resetable	1	
14	383722	(001508-) Circuitbreaker, 15.0a	3	
15	47178-13	(001508-) Button, Plug, 1.25h .06-.09 [Chrome Stl]	1	
16	39648	(001508-) Screw, Pan, #10-24 X 0.38, 1	4	
17	56992	(001508-) Button, Plug, 0.50h .03-.12 [Black Nyl]	4	
18	26523	(001508-) Block, Terminal, 4 Connector	1	
19	32517	(001508-) Screw, Pan, #08-32 X 0.62, 1	1	
20	19310	(001508-) Nut, Hex, Std, #08-32	1	
21	32978	(001508-) Washer, Lock, Int, #08	1	
22	76306	(001508-) Switch, Toggle, 250vac 10a On/On	1	
23	76234	(001508-) Label, Control, Sqge	1	
24	02431	(001508-) Button, Plug, 0.56h .03-.12 [Black Nyl]	3	
25	76062	(001508-) Insulator, Panel & Switchboard	1	
26	19316	(001508-) Screw, Hex, .25-20 X 0.62, 5	1	
27	41185	(001508-) Washer, Belleville, .25	1	
28	19315	(001508-) Screw, Hex, .25-20 X 0.50, 5	1	
29	32490	(001508-) Washer, Flat, 0.25 Std	1	
30	41141	(001508-) Washer, Lock, Int-Ext, .31	1	
31	44078	(001508-) Switch, Push, 12vdc 80a Spst No	1	
32	39712	(001508-) Screw, Pan, .25-20 X 0.75, 2	2	
33	75934	(001508-) Nut, Hex, Lock, .25-20, NI	2	
34	16949	(001508-) Screw, Hex, .25-20 X 0.75, Sems	4	
35	1015389	(001508-) Label, Console, Instmt	1	
36	391905	(001508-) Harness, Sensing, Level, Srs [1550]	1	
37	64921	(001508-) Spacer	4	
38	374119	(001508-) Light, Indicator, 14vdc Red	1	
	45333	(001508-) Terminal, Spade, #10stud, 14/16awg	1	
	45224	(001508-) Terminal, Qdc, [.25f, Insf,14]	1	
39	64795C-1	(001508-) P.c.board, Level Sensing-compl	1	

Fig. 35 - Vacuum Fan Assembly, Diesel (001000-)

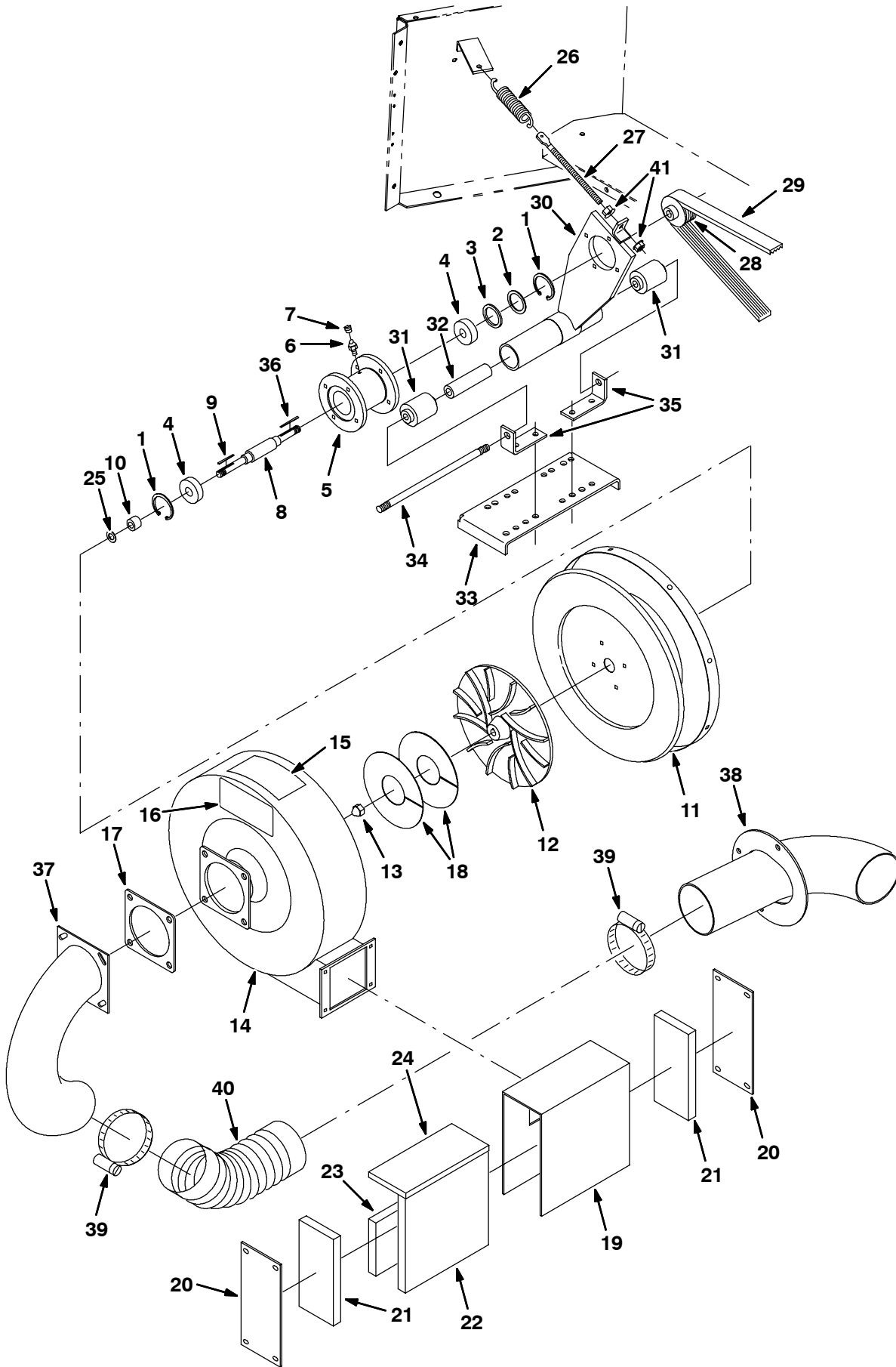


Fig. 35 - Vacuum Fan Assembly, Diesel (001000-)

Ref.	Part No.	Serial Number	Description	Qty.
▽	61701	(001000-) Fan Assembly, Vacuum	1
▲	1 10464	(001000-) Ring, Retaining	2
▲	2 75454	(001000-) Shim	1
▲	3 42809	(001000-) Washer, Wavy	1
▲	4 40496	(001000-) Bearing, Ball	2
▲	5 16400	(001000-) Housing, Bearing	1
▲	6 47801	(001000-) Fitting, Grease	1
▲	7 40390	(001000-) Cover, Grease	1
▲	8 375613	(001000-) Shaft, Fan	1
▲	9 00966	(001000-) Key, Square	1
▲	10 75461	(001000-) Sleeve	1
▲	11 58107	(001000-) Housing, Rear	1
▲	12 03922	(001000-) Impeller	1
▲	13 41130	(001000-) Nut, Low Crown	1
▲▽	25383	(001000-) Housing Assembly, Front	1
▲▲	14 25189	(001000-) Housing, Front	1
▲▲	15 41007	(001000-) Label, Lubricating Instructions	1
▲▲	16 40052	(001000-) Label, Danger, Fan Suction	1
▲▲	17 25216	(001000-) Gasket, Fan	1
▲	18 58114	(001000-) Repair Kit, Fan Assembly	1
▲▽	09314	(001000-) Muffler Assembly	1
▲▲	19 25207	(001000-) Frame, Muffler	1
▲▲	20 391854	(001000-) Plate, Side	2
▲▲	21 25373	(001000-) Foam, Acoustic	2
▲▲	22 25359	(001000-) Foam, Acoustic	1
▲▲	23 25364	(001000-) Foam, Acoustic	1
▲▲	24 25365	(001000-) Foam, Acoustic	1
▲	25 75456	(001000-) Shim, 0.003" (0.07 mm)	1
▲	75456-1	(001000-) Shim, 0.005" (0.12 mm)	1
▲	75456-2	(001000-) Shim, 0.010" (0.25 mm)	2
▲	75456-3	(001000-) Shim, 0.020" (0.50 mm)	2
▲	75456-4	(001000-) Shim, 0.060" (1.52 mm)	2
	26 50864	(001000-) Spring, Tension	1
	27 42331-1	(001000-) Bolt, Eye	1
	28 375614	(001000-) Sheave, Fan	1
	29 391844	(001000-001505) V-Belt	1
	29 1011727	(001508-) Belt, Ribbed, [K 8], 70.0l	1
▽	25640	(001000-) Bracket Mounting Assembly, Fan	1
▲	30 25632	(001000-) Bracket, Mounting	1
▲	31 25384	(001000-) Bearing	2
▲	32 25636	(001000-) Spacer	1
	33 378967	(001000-) Bracket Wldt, Mtg	1
	34 25637	(001000-) Rod, Threaded	1
	35 25639	(001000-) Bracket, Angle	2
	36 00911	(001000-) Key, Square	1
	37 25212	(001000-) Tube, Intake	1
	38 09311	(001000-) Tube, Inlet	1
	39 23498	(001000-) Clamp, Wormdrive	2
	40 40870-2	(001000-) Hose Assembly	1
	41 27980	(001000-) Nut, Hex, Flng, .38-16	2

SECTION 9

Contents	Page
Fig. 1 - Light Kit	9-2
Fig. 2 - Flashing Light Kit	9-4
Fig. 3 - Revolving Light Group	9-5
Fig. 4 - Revolving Light Kit, Overhead Guard ...	9-6
Fig. 5 - Overhead Guard Kit	9-7
Fig. 6 - Brush Pressure Warning Kit	9-8
Fig. 7 - Sludge Removal Tool Assembly	9-9
Fig. 8 - Drain Pump Group	9-10
Fig. 9 - Squeegee Wand Kit	9-12
Fig. 10 - Reserve LPG Tank Group with Filler Valve	9-14
Fig. 11 - Fire Extinguisher Kit	9-15
Fig. 12 - Protectoseal Gasoline Cap	9-15
Fig. 13 - Wheel Assembly, Foam Filled	9-16
Fig. 14 - Solution Tank Drain Kit	9-16
Fig. 15 - Rear View Mirror Kit	9-17
Fig. 16 - Spark Arresting Muffler Kit	9-17
Fig. 17 - Side Squeegees Extension Kit	9-18
Fig. 18 - Heavy Duty Air Filter Group (001403-001505)	9-19
Fig. 19 - Documentation Group	9-20

Fig. 1 - Light Kit

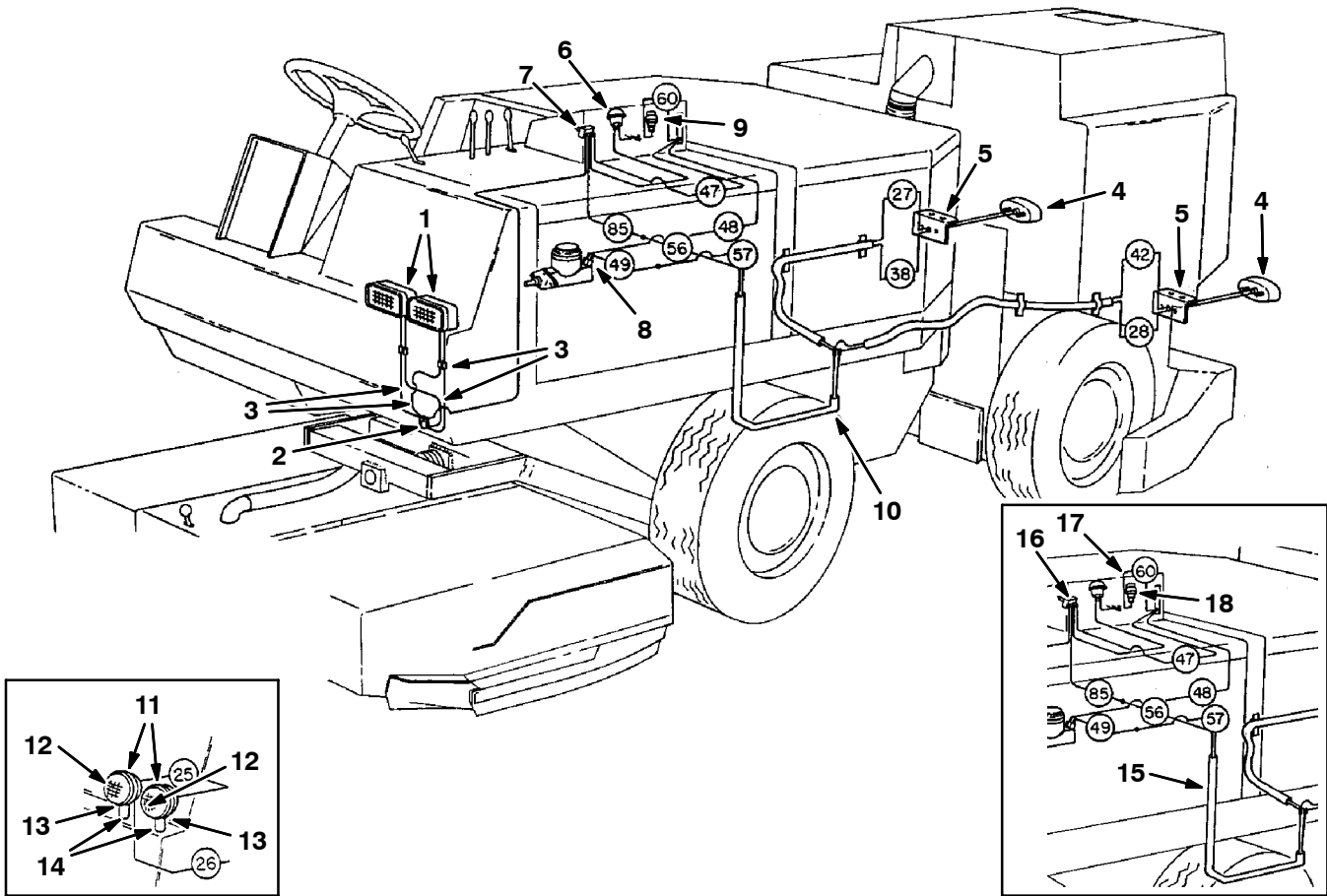
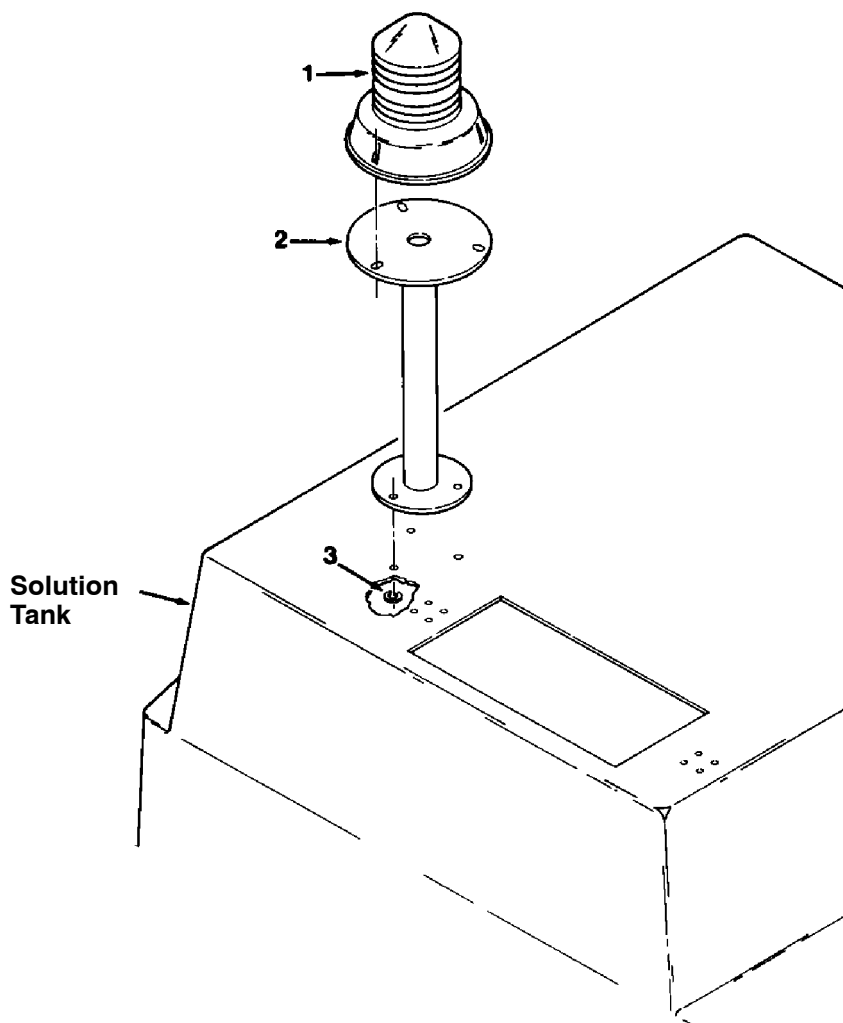


Fig. 1 - Light Kit

	Ref.	Part No.	Serial Number	Description	Qty.
▽		61681	(001000-) Light Kit, 1550	1
▲	1	24298	(001106-) Headlight Assembly	2
▲	2	79102	(001106-) Wire Assembly. Headlight	2
▲	3	76062	(001106-) Insulator	1
▲▽	4	51572	(001000-) Taillight	2
▲▲		45780	(001000-) Bulb	1
▲	5	49022	(001000-) Bracket, Taillight	2
▲▽	6	46711	(001000-) Light, Panel	1
▲▲		24427	(001000-) Bulb	1
▲	7	66101	(001508-) Switch, Toggle, 250vac 06a Spst On/Of	1
▲	8	13959	(001000-) Switch, Brake Light Sending	1
▲	9	383723	(001508-) Circuitbreaker, 20.0a, Resetable	1
▲	10	391922	(001508-) Harness, Taillight [1550]	1
▲		78153	(001000-) Wire Kit, Operating Lights	1
▲		49266	(001000-) Tie, Cable	6
▲		45339	(001000-) Terminal, Ring	2
▲		10632-19	(001000-) Grommet, Rubber	1
▲		45223	(001000-) Terminal,	1
▲		29192	(001000-) Terminal, Ring	1
	11	21639	(001000-001105) Light Kit, Hd-Tl/550	2
	12	32826	(001000-001105) Bulb, Sealed Beam	1
	13	24227	(001000-001105) Washer, Dished	2
	14	24142	(001000-001105) Washer, Spherical	4
	15	61652	(001000-001505) Wire Harness, Light, 1550	1
	16	10701	(001000-001505) Switch, Toggle	1
	17	07422	(001000-001505) Holder, Fuse	1
	18	383723	(001000-001505) Circuitbreaker, 20.0a, Resetable	1

Fig. 2 - Flashing Light Kit

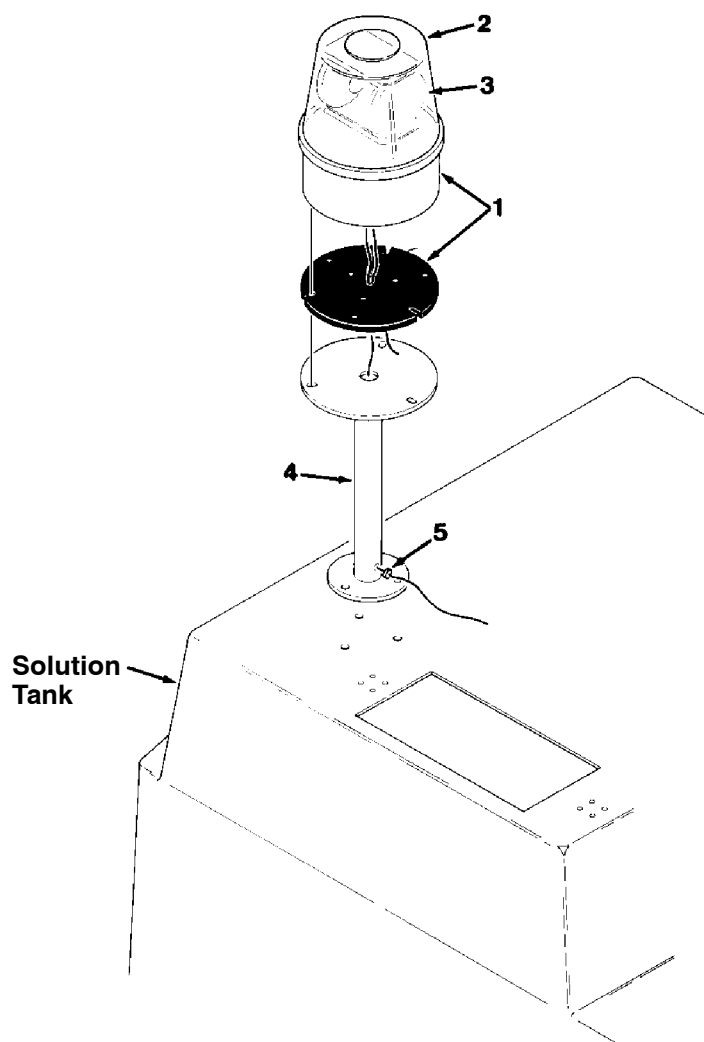


00347 - 550, 1550

Ref.	Part No.	Serial Number	Description	Qty.
▽	79428	(001000-) Light Kit, Flashing	1
▲▽	1 47535	(001000-) Lamp Assembly, Flashing	1
▲▲	47535-2	(001000-) Lamp, Flashing	1
▲▲	47535-1	(001000-) Lens, Lamp, Red	1
▲▲	22640	(001000-) Bulb	1
▲▲	24576-1	(001000-) Bracket, Flasher	1
▲▲	24576	(001000-) Flasher	1
▲	2 16513	(001000-) Support, Light	1
▲	79436	(001000-) Wire Kit	1
▲	66101	(001508-) Switch, Toggle, 250vac 06a Spst On/Of	1
▲	3 76426	(001000-) Washer, Sealing	3
▽	47536	(001000-) Lamp Assembly, Flashing, Amber	1
▲	47536-1	(001000-) Lens, Lamp, Amber	1
▽	47537	(001000-) Lamp Assembly, Flashing, Blue	1
▲	47537-1	(001000-) Lens, Lamp, Blue	1
	10701	(001000-001505)	Switch	1

NOTE: To identify parts shown but not listed here, see Section 6, Standard Parts.

Fig. 3 - Revolving Light Group

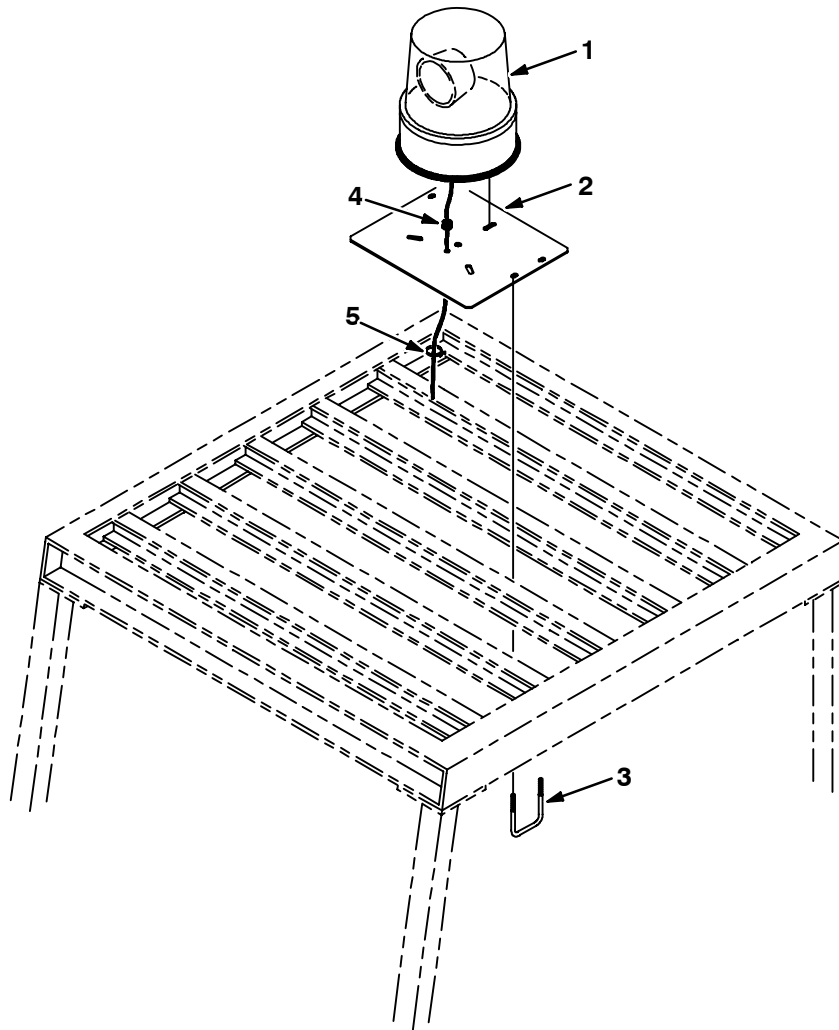


02387 - 550, 1550

Ref.	Part No.	Serial Number	Description	Qty.
▽	1	16418	(001000-) Light Assembly, Revolving Red	1
▲	2	16421	(001000-) Lens, Red	1
▲	3	16511	(001000-) Bulb	2
	4	31960	(001000-) Support, 13 in (330 mm)	1
	4	60969	(001000-) Support, 10 in (254 mm)	1
	5	46314	(001000-) Grommet	1
		49262	(001000-) Clamp, Conduit	5
		66101	(001508-) Switch, Toggle, 250vac 06a Spst On/Of	1
▽	16419	(001000-) Light Assembly, Revolving Blue	1	
▲	16422	(001000-) Lens, Blue	1	
▲	16511	(001000-) Bulb	2	
▽	16420	(001000-) Light Assembly, Revolving Amber	1	
▲	16423	(001000-) Lens, Amber	1	
▲	16511	(001000-) Bulb	2	
	10701	(001000-001505) Switch, Toggle	1	

NOTE: To identify parts shown but not listed here, see Section 6, Standard Parts.

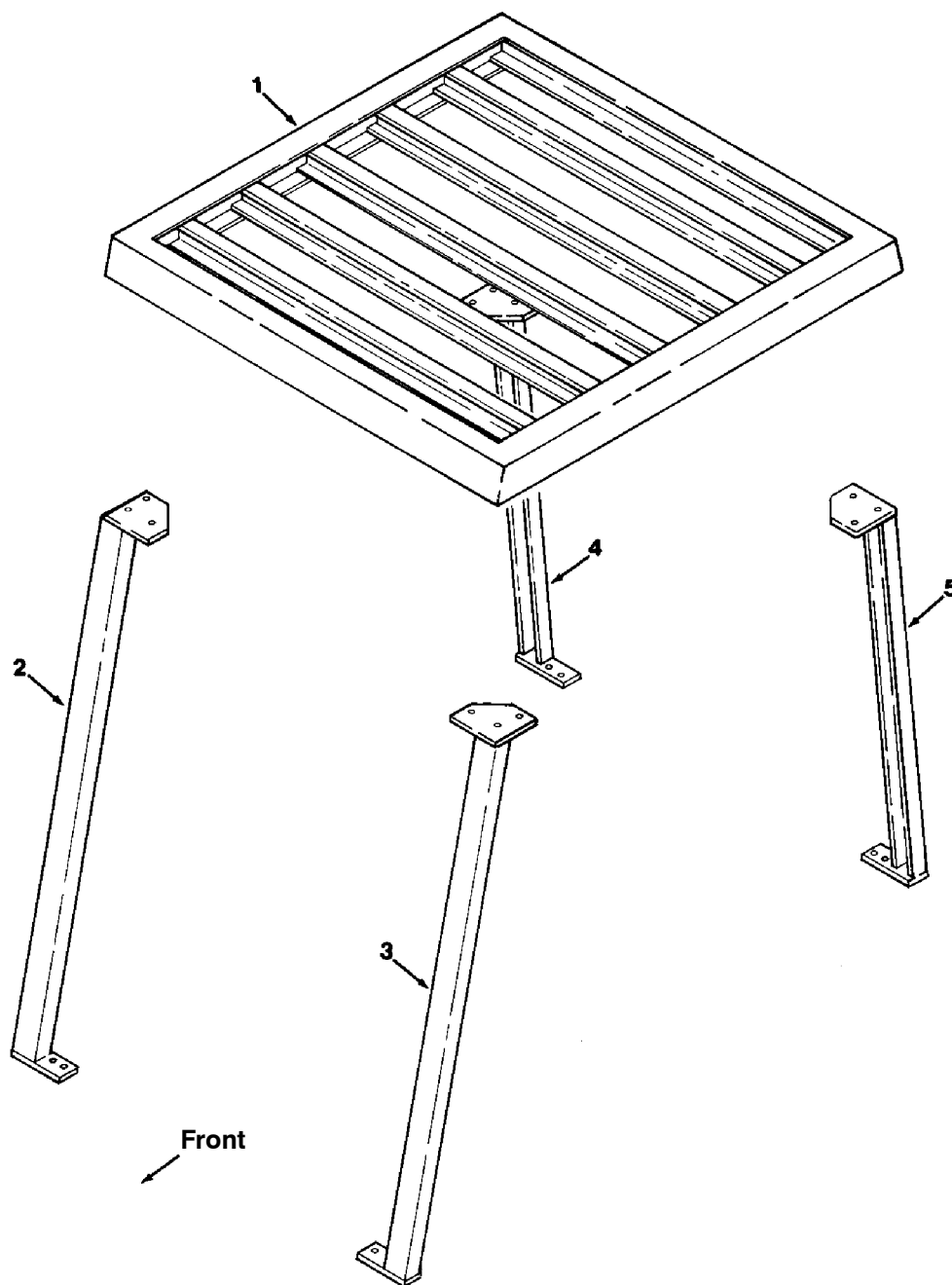
Fig. 4 - Revolving Light Kit, Overhead Guard



001108 - 550, 1550

Ref.	Part No.	Serial Number	Description	Qty.
▽	78161	(001000-) Light Kit, Revolving	1
▲▽	1 16418	(001000-) Lamp Assembly, Revolving	1
▲▲	46928-1	(001000-) Lens, Lamp, Red	1
▲▲	45670	(001000-) Bulb	1
▲	2 33782	(001000-) Plate, Mounting	1
▲	3 33783	(001000-) V-Bolts	2
▲▽	78154	(001000-) Wire Kit	1
▲▲	4 10632-5	(001000-) Grommet, Rbr, 0.25id, F/ 0.8h, .09 Matl	1
▲	66101	(001508-) Switch, Toggle, 250vac 06a Spst On/Of	1
▲	5 09384	(001000-) Clamp, Cable	5
▲▽	16420	(001000-) Lamp Assembly, Revolving, Amber	1
▲▲	16423	(001000-) Lens, Lamp, Amber	1
▲▽	16419	(001000-) Lamp Assembly, Revolving, Blue	1
▲▲	16422	(001000-) Lens, Lamp, Blue	1
	10701	(001000-001505)) Switch, Toggle	1

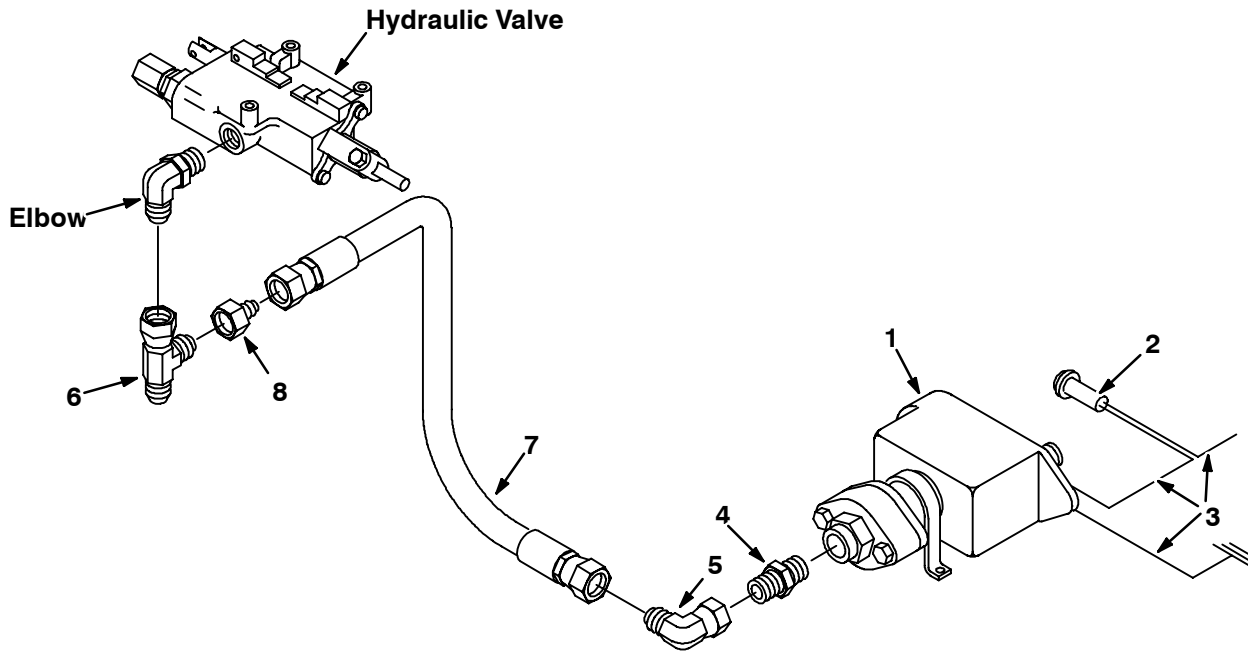
Fig. 5 - Overhead Guard Kit



00317 - ALL

Ref.	Part No.	Serial Number	Description	Qty.
▽	75903	(001000-) Guard Kit, Overhead	1
▲	1 76862	(001000-) Guard, Top	1
▲	2 76858	(001000-) Leg, Front, R.H.	1
▲	3 76859	(001000-) Leg, Front, L.H.	1
▲	4 76860	(001000-) Leg, Rear, R.H.	1
▲	5 76861	(001000-) Leg, Rear, L.H.	1

Fig. 6 - Brush Pressure Warning Kit

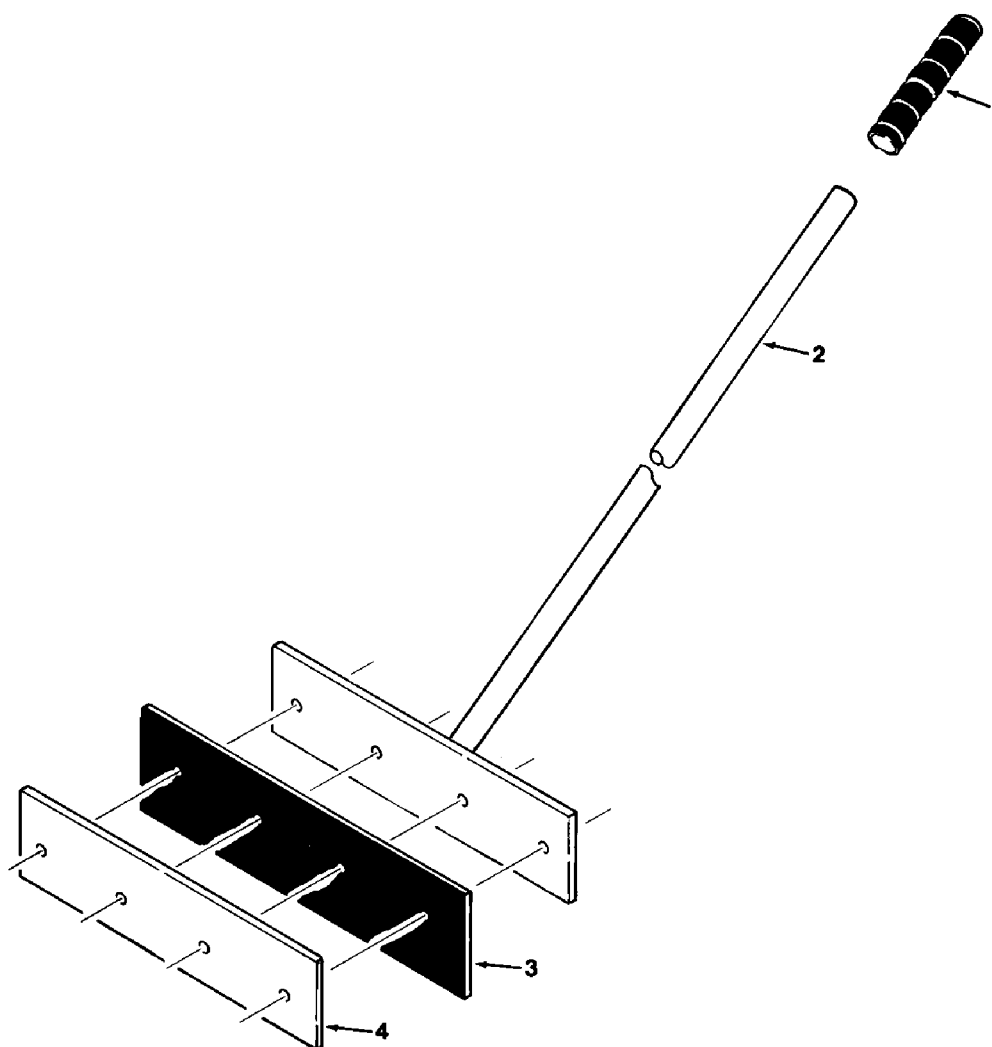


02858 - 1550

Ref.	Part No.	Serial Number	Description	Qty.
▽	03992	(001000-) Warning Kit, Brush Pressure	1
▲ 1	62417-2	(001000-) Switch, Pressure	1
▲ 2	374119	(001000-) Lamp Assy, Indicator, Red, 14Vdc	1
▲ 3	78157	(001000-) Wire Kit	1
▲ 4	15724	(001000-) Fitting, Straight	1
▲ 5	47504	(001000-) Fitting, Elbow	1
▲ 6	40514	(001000-) Fitting, Tee	1
▲ 7	49943	(001000-) Hose, Hydraulic	1
▲ 8	34375	(001000-) Fitting, Straight	1

NOTE: To identify parts shown but not listed here, see Section 6, Standard Parts.

Fig. 7 - Sludge Removal Tool Assembly



00338 - ALL

Ref.	Part No.	Serial Number	Description	Qty.
▽	79518	(001000-) Tool Assembly, Sludge Removal	1
▲	1 03292B	(001000-) Grip, Handle	1
▲	2 79517	(001000-) Handle, Sludge Removal	1
▲	3 79515	(001000-) Squeegee	1
▲	4 79508-1	(001000-) Retainer, Squeegee	1

Fig. 8 - Drain Pump Group

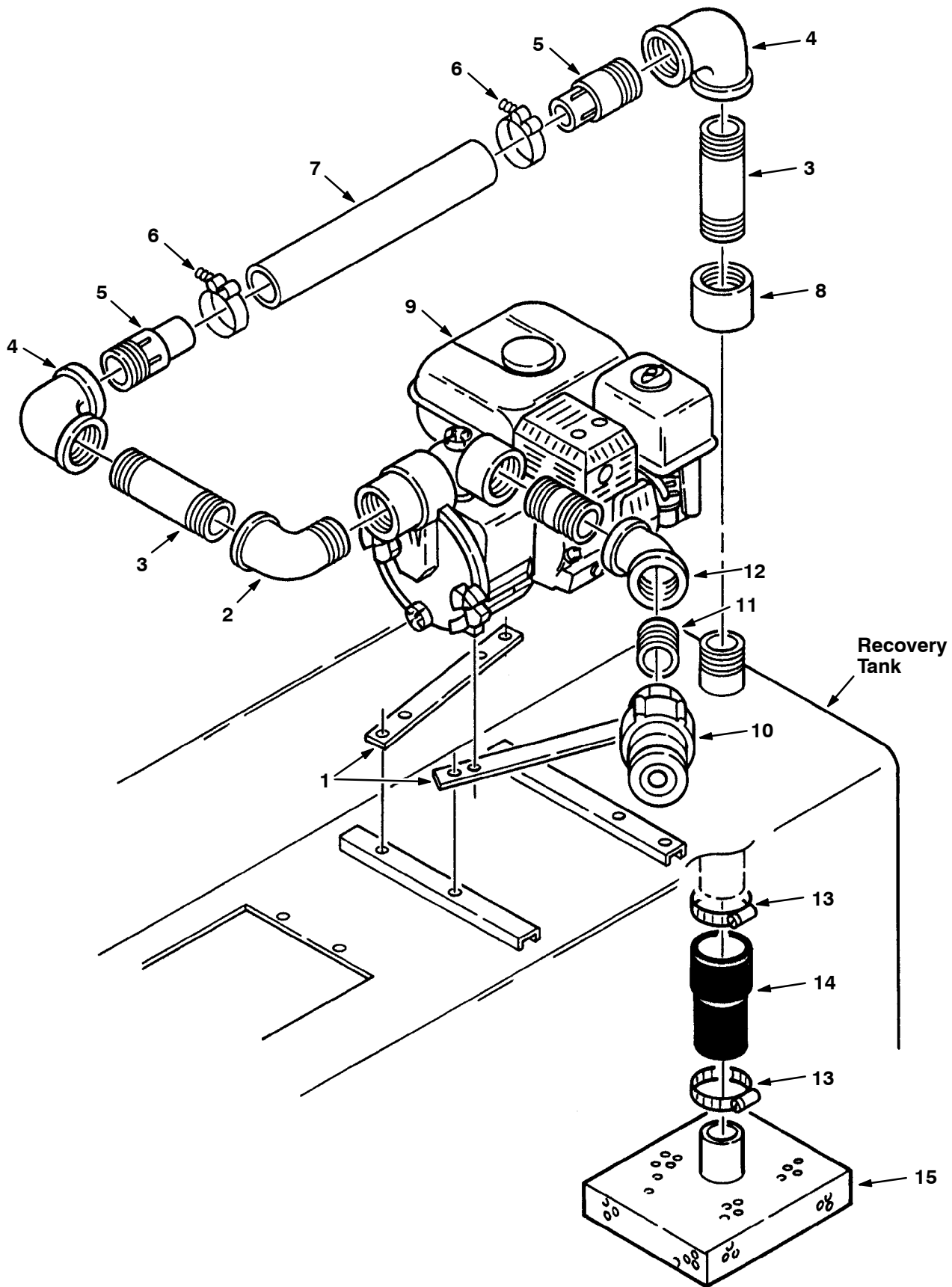
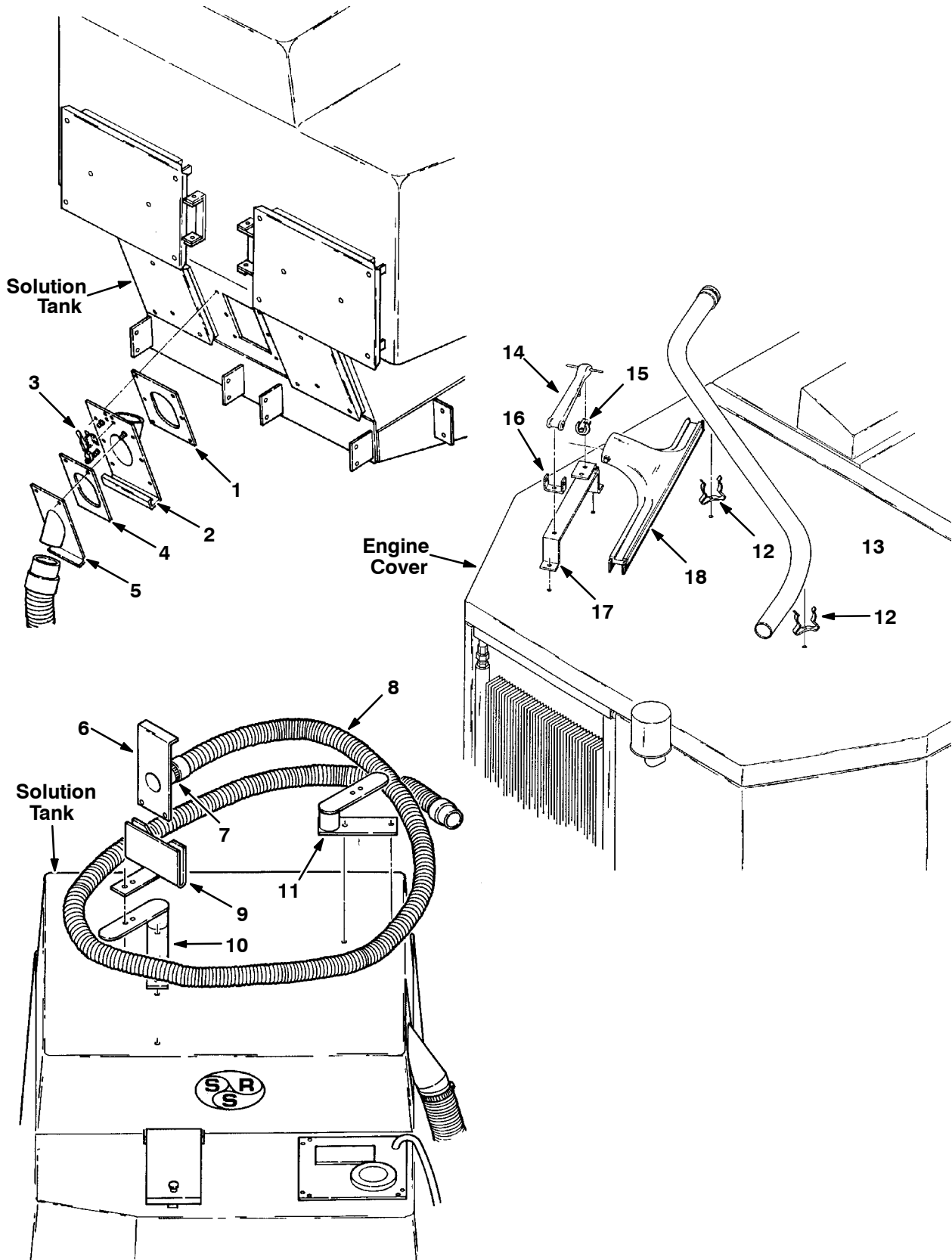


Fig. 8 - Drain Pump Group

Ref.	Part No.	Serial Number	Description	Qty.
1	61629	(001000-) Plate, Motor Mounting	2
2	61630	(001000-) Fitting, Elbow	2
3	61631	(001000-) Fitting, Nipple	2
4	61632	(001000-) Fitting, Elbow	2
5	61637	(001000-) Fitting, Nipple	2
6	61633	(001000-) Clamp, Hose	2
7	61634	(001000-) Hose	1
8	61685	(001000-) Fitting, Coupling	1
9	61627	(001000-) Engine and Pump	1
10	61262	(001000-) Adapter	1
11	61023	(001000-) Fitting, Nipple	2
12	61645	(001000-) Fitting, Elbow, 45°	1
13	14432	(001000-) Clamp, Worm Drive	2
14	61179	(001000-) Hose, Suction	1
15	61252	(001000-) Strainer, Suction	1

Fig. 9 - Squeegee Wand Kit

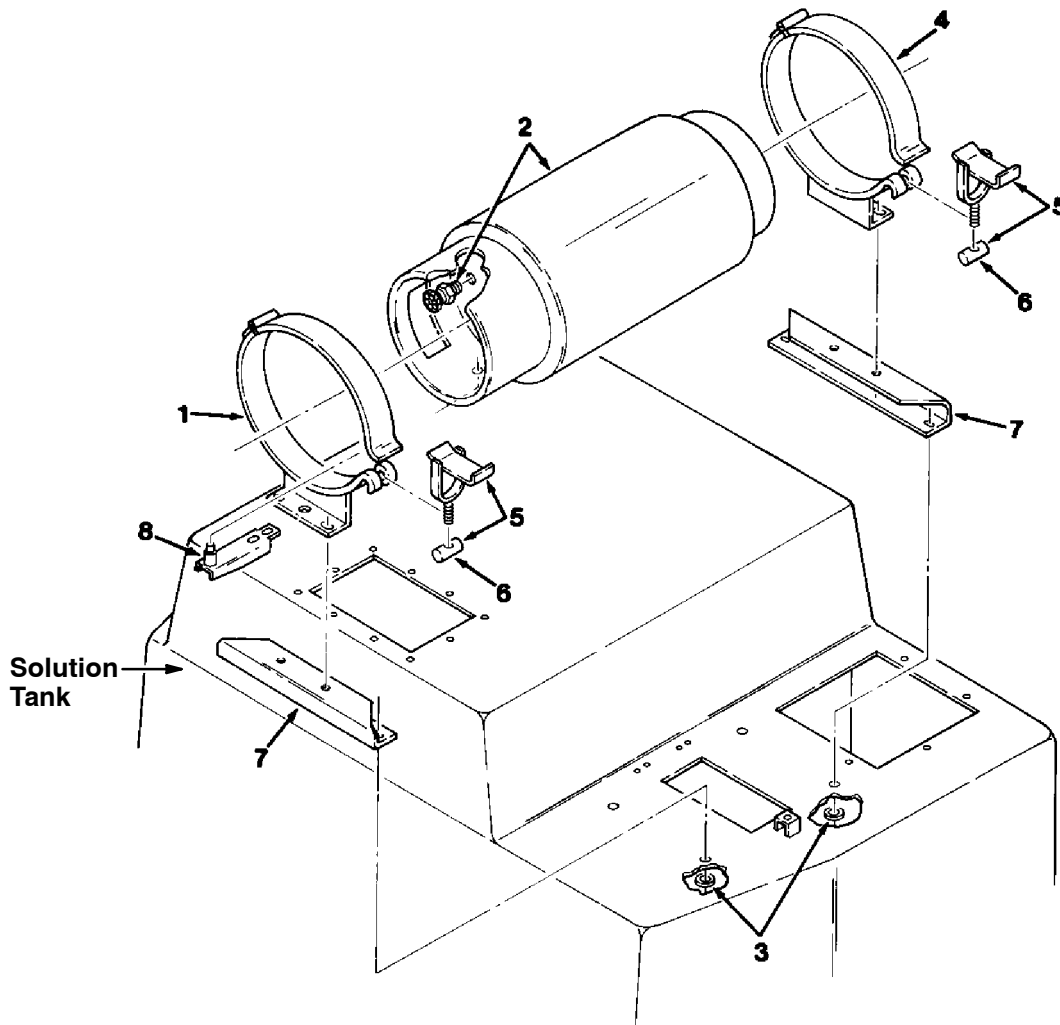


NOTE: To identify parts shown but not listed here, see Section 6, Standard Parts.

Fig. 9 - Squeegee Wand Kit

	Ref.	Part No.	Serial Number	Description	Qty.
▽		79429	(001000-) Wand Kit, Squeegee	1
▲	1	79545	(001000-) Gasket, Tank Adaptor	1
▲	2	79538	(001000-) Adaptor, Tank	1
▲	3	03823	(001000-) Clamp, Toggle	1
▲	4	79546	(001000-) Gasket, Wand Adaptor	1
▲	5	79532	(001000-) Adaptor, Squeegee Wand	1
▲	6	79535	(001000-) Adaptor, Vacuum Wand	1
▲	7	14432	(001000-) Clamp, Worm Drive	1
▲	8	75127	(001000-) Hose	1
▲	9	79547	(001000-) Bracket, Adaptor, Storage	1
▲	10	50788	(001000-) Mount, Wand Hose, R.H.	1
▲	11	50789	(001000-) Mount, Wand Hose, L.H.	1
▲	12	391839	(001000-) Clip, Finger Grip	2
▲	13	40171	(001000-) Handle, Nozzle	1
▲	14	75118	(001000-) Hook, Rubber	1
▲	15	40670	(001000-) Catch, Rubber Hook	1
▲	16	40671	(001000-) Bracket, U	1
▲	17	75054	(001000-) Mount, Squeegee	1
▲▽	18	40173	(001000-) Nozzle	1
▲▲		40173-1	(001000-) Blade Kit, Sqge, Replmt [550]	1

Fig. 10 - Reserve LPG Tank Group with Filler Valve

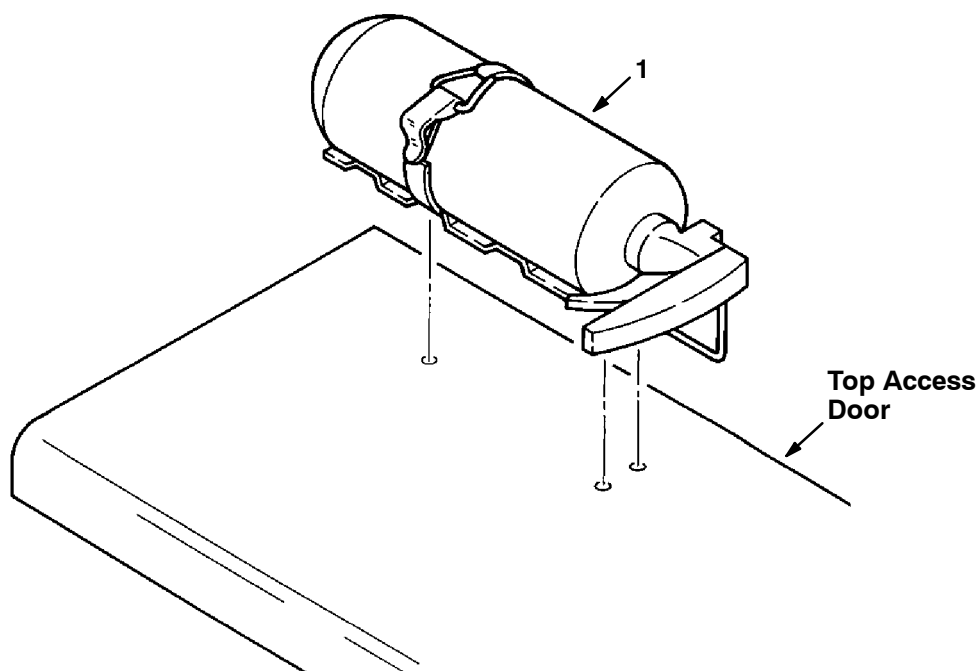


00795 - 550, 1550, LP

Ref.	Part No.	Serial Number	Description	Qty.	
1	53400-3	(001000-) Mount, LPG Tank	1	
2	24928-1	(001000-) Tank Assembly, LPG	1	
3	76426	(001000-) Washer, Rubber	4	
4	53400-2	(001000-) Mount, LPG Tank	1	
▽	5	53400-1	(001000-) Latch	2
▲	6	53400-4	(001000-) Lug	1
7	79368	(001000-) Bracket, LPG Tank Mounting, (Replaced by None)	2	
8	53400-5	(001000-) Locator	1	

NOTE: To identify parts shown but not listed here, see Section 6, Standard Parts.

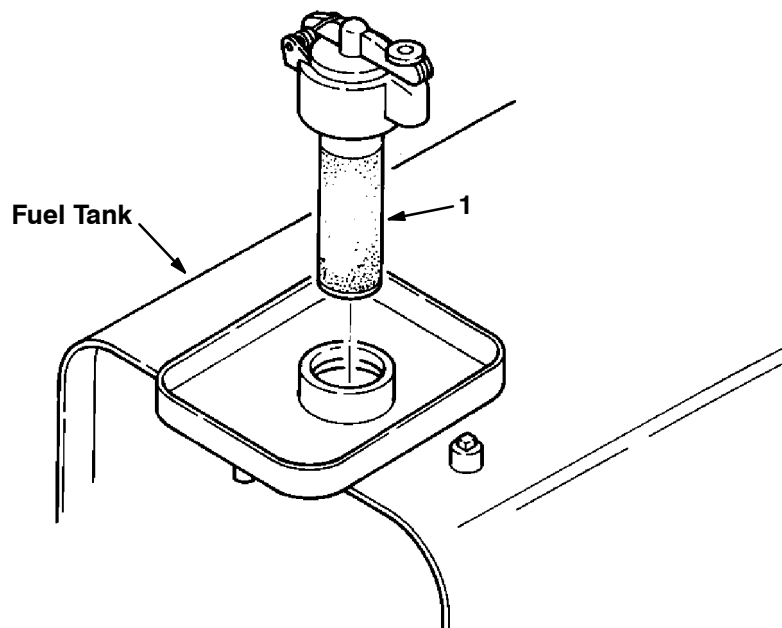
Fig. 11 - Fire Extinguisher Kit



00830 - ALL

Ref.	Part No.	Serial Number	Description	Qty.
▽	78127	(001000-) Extinguisher Kit, Fire	1
▲	1 25312	(001000-) Extinguisher, Fire	1

Fig. 12 - Protectoseal Gasoline Cap

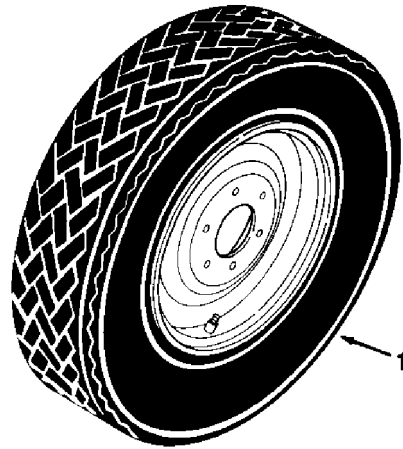


00829 - 550, 1550

Ref.	Part No.	Serial Number	Description	Qty.
1	02506-6	(001000-) Cap, Gasoline, Protectoseal	1

NOTE: To identify parts shown but not listed here, see Section 6, Standard Parts.

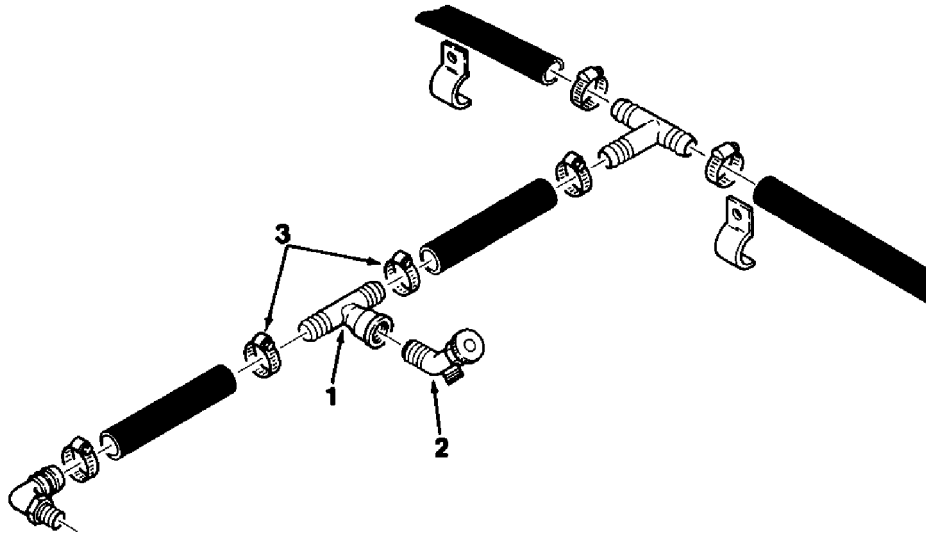
Fig. 13 - Wheel Assembly, Foam Filled



06961 - 1550

Ref.	Part No.	Serial Number	Description	Qty.
1	27773	(001000-) Wheel Assembly, Foam Filled, 1550	4

Fig. 14 - Solution Tank Drain Kit

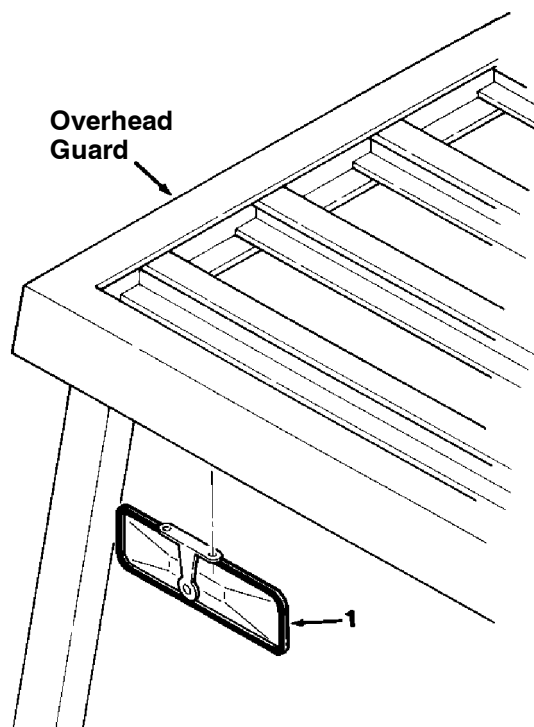


00837 - ALL

Ref.	Part No.	Serial Number	Description	Qty.
▽	75923	(001000-) Drain Kit, Solution Tank	1
▲ 1	76075	(001000-) Tee	1
▲ 2	76076	(001000-) Valve, Water, Drain	1
▲ 3	11399	(001000-) Clamp, Worm Drive	2

NOTE: To identify parts shown but not listed here, see Section 6, Standard Parts.

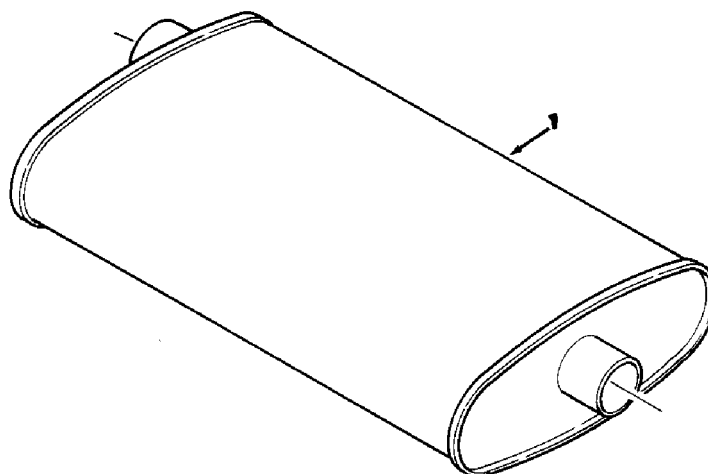
Fig. 15 - Rear View Mirror Kit



00836 - ALL

Ref.	Part No.	Serial Number	Description	Qty.
▽	78156	(001000-) Mirror Kit, Rear View	1
▲	1 76863	(001000-) Mirror, Rear View	1

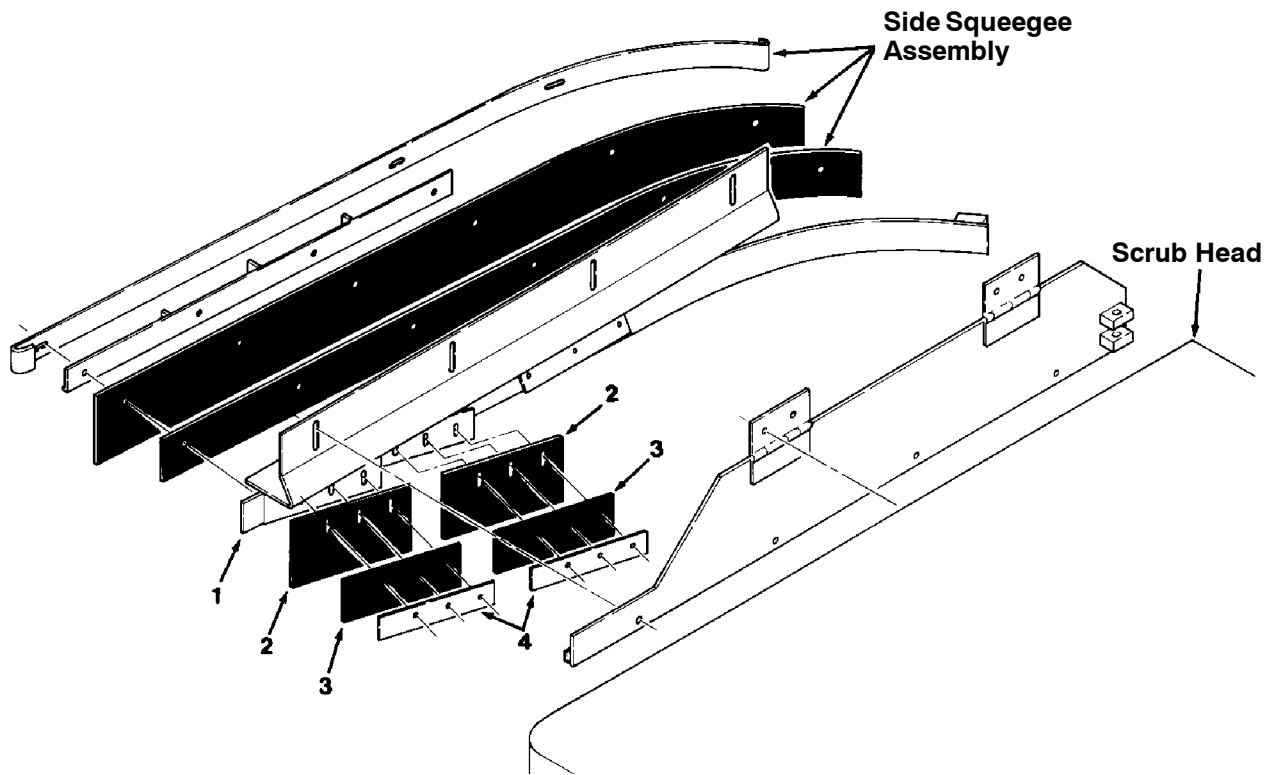
Fig. 16 - Spark Arresting Muffler Kit



00303 - 550, 1550, IC

Ref.	Part No.	Serial Number	Description	Qty.
1	78116	(001000-) Muffler, Spark Arresting	1

Fig. 17 - Side Squeegees Extension Kit

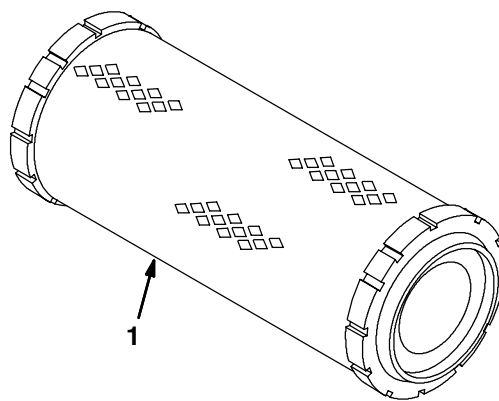


03874 - ALL

Ref.	Part No.	Serial Number	Description	Qty.
▽	04595	(001000-) Extension Kit, Side Squeegees	1
▲	1 04598	(001000-) Frame, Side Squeegee, R.H.	1
▲	2 03395	(001000-) Blade, Squeegee	4
▲	3 03409	(001000-) Strip, Backup	4
▲	4 03408	(001000-) Retainer, Blade	4
▲	04597	(001000-) Frame, Side Squeegee, L.H.	1

NOTE: To identify parts shown but not listed here, see Section 6, Standard Parts.

Fig. 18 - Heavy Duty Air Filter Group (001403-001505)



353822 - 550, 1550, G, LP, D

Ref.	Part No.	Serial Number	Description	Qty.
1	398279	(001403-001505)	Element, Fltr, Air, Safety	1

Fig. 19 - Documentation Group

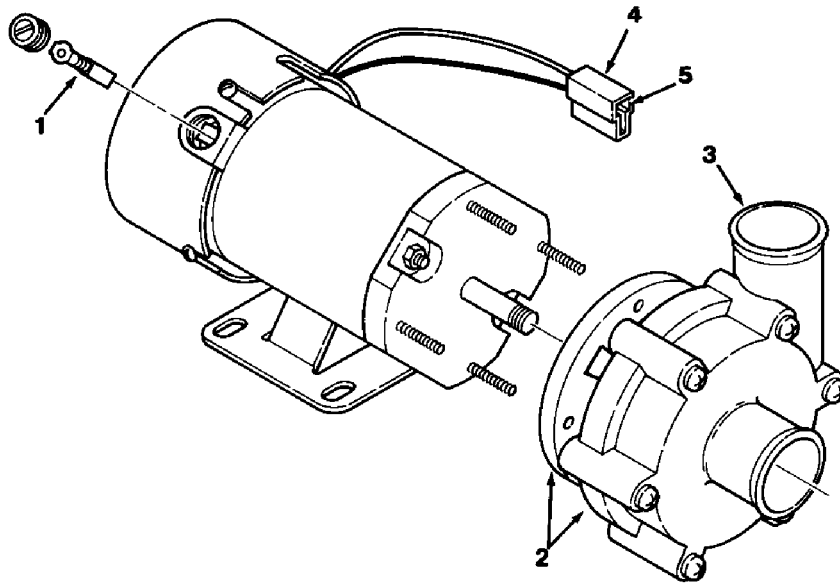
07501 - 1550

Ref.	Part No.	Serial Number	Description	Qty.
	MM283	(001000-) Manual Pkg, 1550	1
	34792	(001000-001423) Manual, Engine, Continental, TM27-D	1
	372897	(001508-) Manual, Service, [Caterpillar 3044c]	1
	393223	(001508-) Manual, Service, Eng, [Gm 3.0]	1
	10392	(001000-) Video, Operator, 550	1
	380503	(001424-001505) Manual, Service, Perkins 700 Series	1
	9003927	(001508-) Manual, Eng, Cd-Rom [Tier li,Gm3.0]	1
	9003928	(001508-) Cable Kit, Ele, Eng [Usb,Tier li Gm]	1
	9003929	(001508-) Cable Kit, Ele, Eng [Usb,Tier li Gm]	1

SECTION 10

Contents	Page
Fig. 1 - Solution Pump Breakdown, 33327	10-2
Fig. 2 - Metering Solution Pump Breakdown, 16485	10-3
Fig. 3 - Hydraulic Pump Breakdown, 34310	10-4
Fig. 4 - Hydraulic Pump Breakdown, 48880	10-20
Fig. 5 - Hydraulic Piston Pump Breakdown, 74163	10-5
Fig. 6 - Hydraulic Piston Pump Breakdown, 74163	10-6
Fig. 7 - Hydraulic Piston Pump Breakdown, 373404	10-10
Fig. 8 - Hydraulic Piston Pump Breakdown, 373404	10-12
Fig. 9 - Hydraulic Gear Pump Breakdown, 373245	10-14
Fig. 10 - Hydraulic Gear Pump Breakdown, 79078	10-16
Fig. 11 - Hydraulic Gear Pump Breakdown, 1014956	10-18
Fig. 12 - Manual Control Breakdown, 74273	10-20
Fig. 13 - Hydraulic Motor Breakdown, 27792	10-21
Fig. 14 - Hydraulic Motor Breakdown, 22604	10-22
Fig. 15 - Hydraulic Motor Breakdown, 61489	10-24
Fig. 16 - Hydraulic Steering Valve Breakdown, 57982	10-25
Fig. 17 - Hydraulic Steering Valve Breakdown, 74176	10-26
Fig. 18 - Hydraulic Solenoid Valve Breakdown, 31575	10-27
Fig. 19 - Hydraulic Valve Breakdown, 32761	10-28
Fig. 20 - Hydraulic Flow Switch Breakdown, 31556	10-29
Fig. 21 - Hydraulic Cylinder Breakdown, 04431	10-30
Fig. 22 - Hydraulic Valve Breakdown, 48108A	10-31
Fig. 23 - Hydraulic Motor Breakdown, 1023322	10-32
Fig. 24 - Hydraulic Motor Breakdown, 1019272	10-33
Fig. 25 - Hydraulic Solenoid Valve Breakdown, 1020194	10-34
Fig. 26 - Hydraulic Solenoid Valve Breakdown, 1042535	10-35
Fig. 27 - LPG EFI Breakdown, 371663	10-36
Fig. 28 - Gasoline EFI Breakdown, 371645	10-37

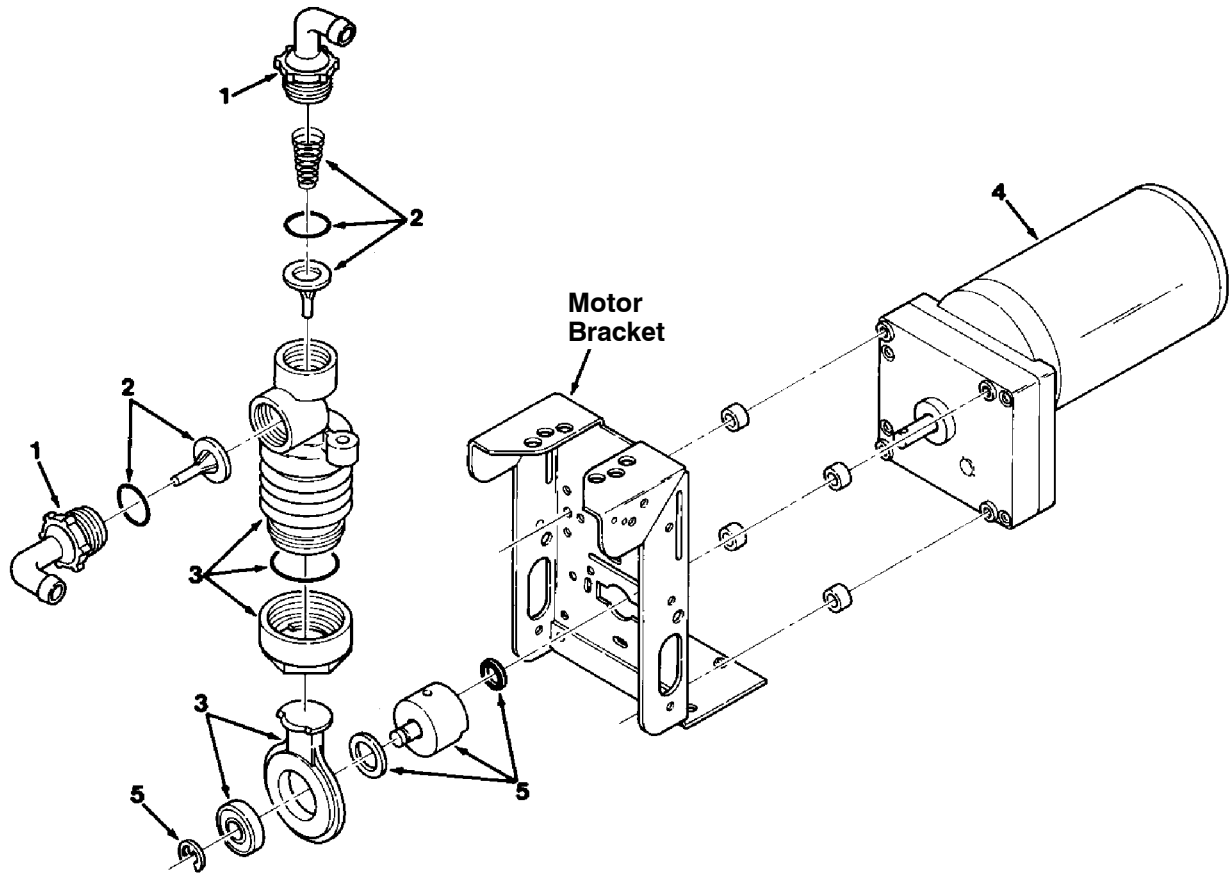
Fig. 1 - Solution Pump Breakdown, 33327



06963 - 550, 1550

Ref.	Part No.	Serial Number	Description	Qty.
▽	33327	(000000-) Pump Assembly, Solution	1
▲	1 48791	(000000-) Replacement Kit, Brush	1
▲	2 03711	(000000-) Replacement Kit, Pump Head	1
▲	3 48789	(000000-) Replacement Kit, Pump Body	1
▲	4 51406	(000000-) Connector	1
▲	5 51416	(000000-) Terminal, Male	2

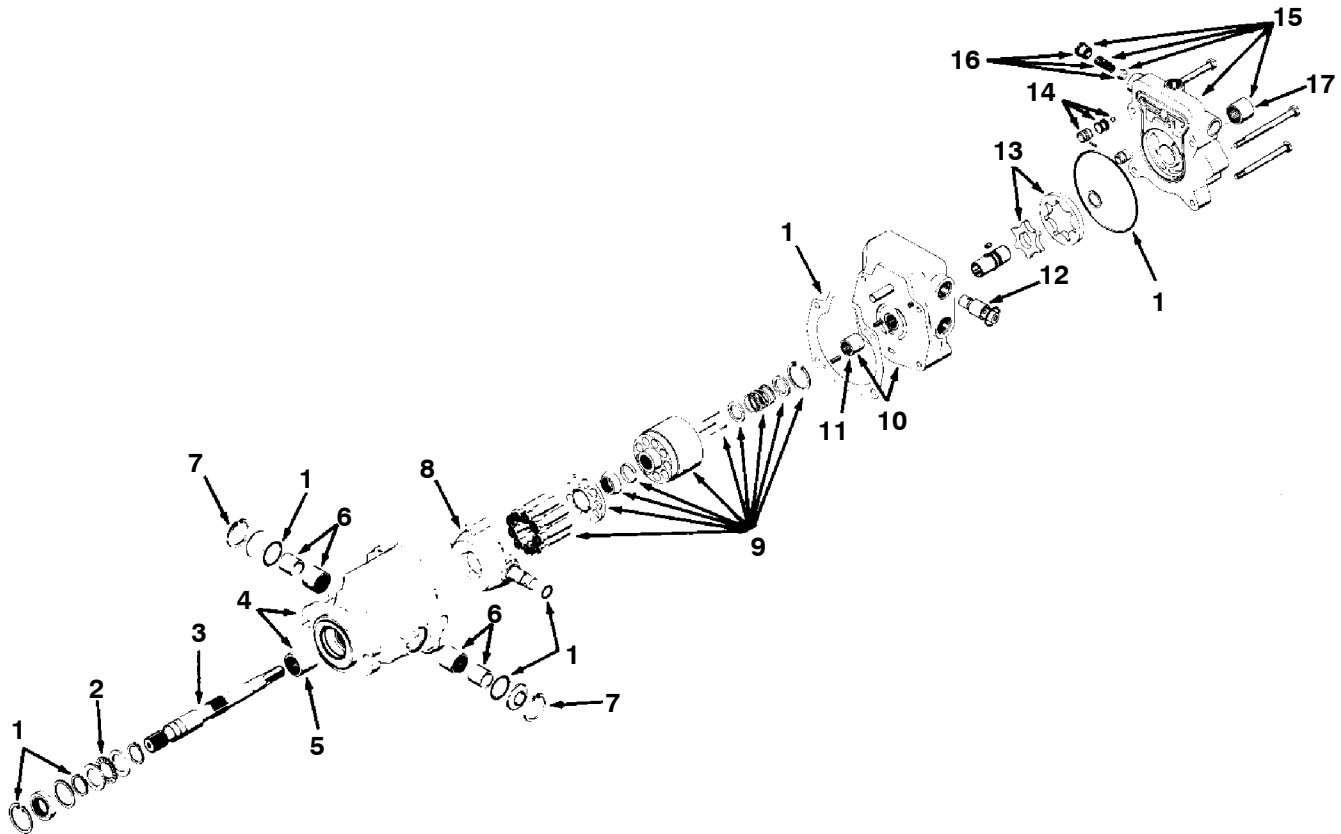
Fig. 2 - Metering Solution Pump Breakdown, 16485



00112 - ALL

Ref.	Part No.	Serial Number	Description	Qty.
▽	16485	(000000-) Pump, Metering Solution	1
▲	1 63923	(000000-) Connector Kit, Tubing	1
▲	2 63922	(000000-) Valve Kit, Pump	1
▲	3 63921	(000000-) Replacement Kit, Bellows	1
▲	4 63924	(000000-) Motor, Gear	1
▲	5 02430	(000000-) Crank Replacement Kit	1

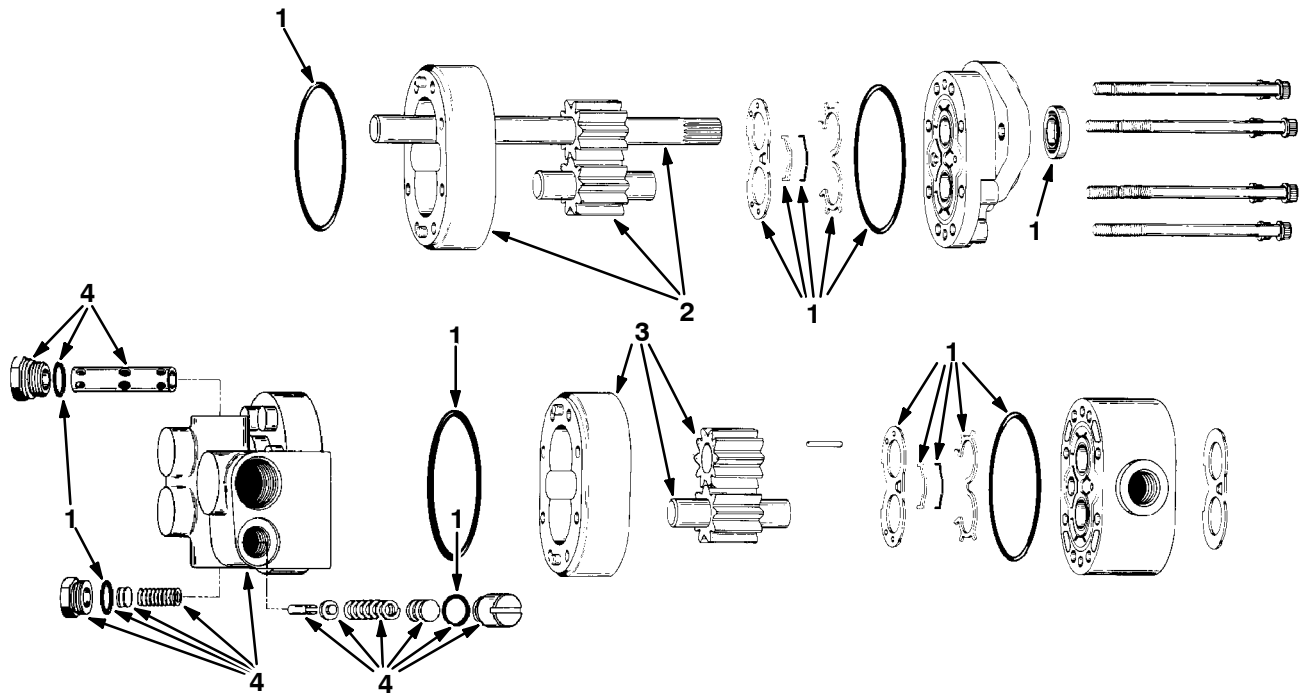
Fig. 3 - Hydraulic Pump Breakdown, 34310



01669 - 550, 1550

Ref.	Part No.	Serial Number	Description	Qty.	
▽	34310	(000000-) Pump, Hydraulic (Replaced by None)	1	
▲	1	34092	(000000-) Seal Kit (Replaced by None)	1
▲	2	37467	(000000-) Bearing, Thrust	1
▲	3	34094	(000000-) Shaft	1
▲▽	4	37453	(000000-) Housing Assembly, Pump	1
▲▲	5	37462	(000000-) Bearing	1
▲	6	34097	(000000-) Bearing	2
▲	7	55926	(000000-) Ring, Retaining	2
▲	8	37451	(000000-) Plate, Cam	1
▲	9	37450	(000000-) Piston Block Assembly	1
▲▽	10	34158	(000000-) Housing Assembly, Relief	1
▲▲	11	34159	(000000-) Bearing	1
▲	12	34160	(000000-) Valve, Relief	2
▲	13	34161	(000000-) Pump Kit, Charge	1
▲	14	SK2586	(000000-) Valve Assembly, Check	1
▲▽	15	34162	(000000-) Adaptor Assembly	1
▲▲	16	55936	(000000-) Valve Assembly, Relief (Includes Bearing)	1
▲▲	17	55929	(000000-) Bearing	1

Fig. 4 - Hydraulic Pump Breakdown, 48880



06184 - 550, 1550

Ref.	Part No.	Serial Number	Description	Qty.
▽	48880	(000000-) Pump, Hydraulic	1
▲	1 48906	(000000-) Seal Kit	1
▲	2 48909	(000000-) Body and Gear Kit, Front	1
▲	3 48908	(000000-) Body and Gear Kit, Rear	1
▲	4 48907	(000000-) Backplate Kit	1

Fig. 5 - Hydraulic Piston Pump Breakdown, 74163

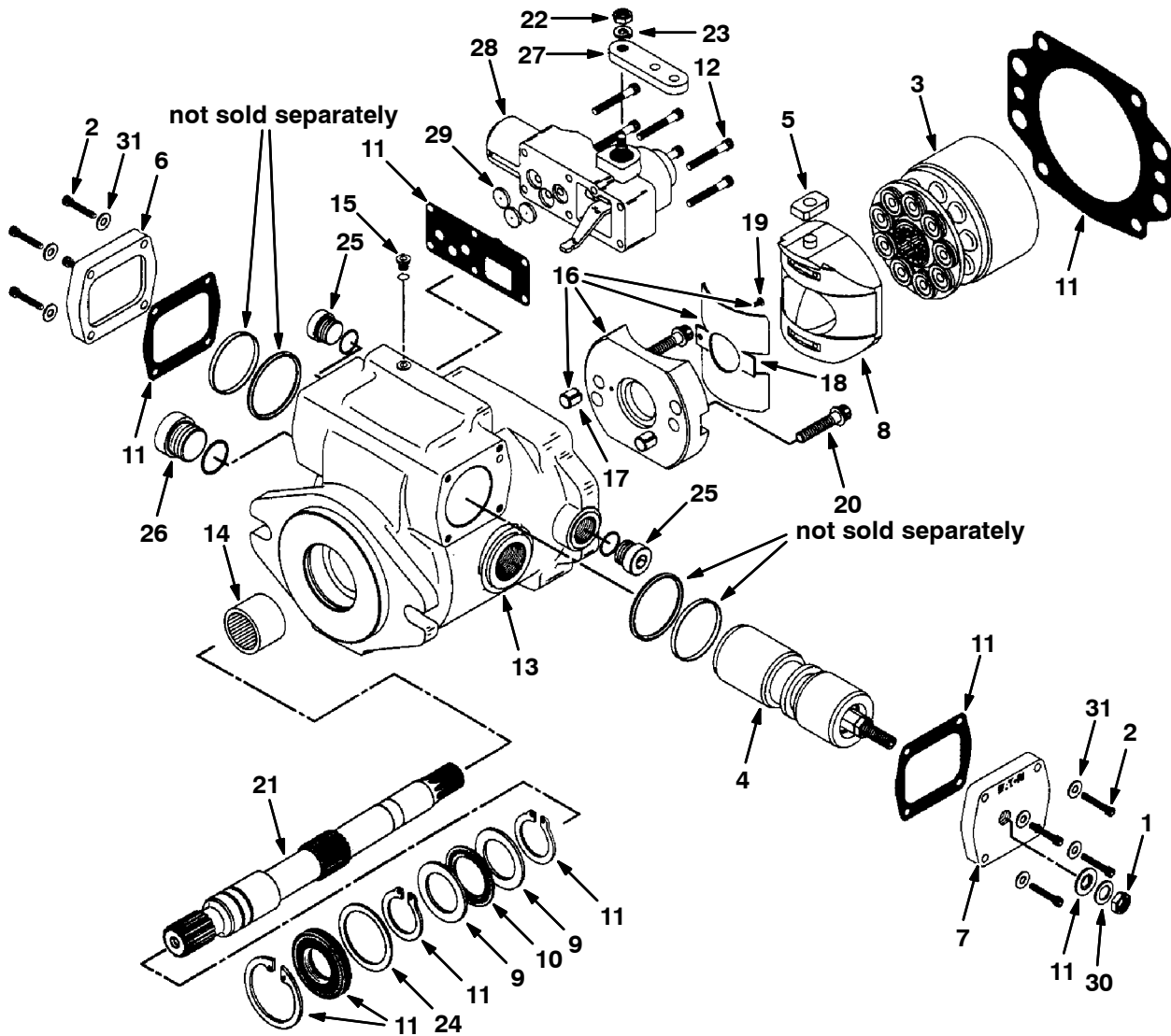


Fig. 5 - Hydraulic Piston Pump Breakdown, 74163

NOTE: Piston Pump, TENNANT Part Number 74163, includes Fig. 5, and Fig. 6.

	Ref.	Part No.	Serial Number	Description	Qty.
▽		74163	(000000-) Pump, Hyd Piston V 2.48	1
▲	1	74184	(000000-) Nut, Jam	1
▲	2	74223	(000000-) Screw, Cap	8
▲	3	61882	(000000-) Rotating Kit	1
▲	4	74253	(000000-) Piston, Servo	1
▲	5	74254	(000000-) Follower, Piston	1
▲	6	74256	(000000-) Plate, Cover	1
▲	7	74257	(000000-) Plate, Cover	1
▲	8	74258	(000000-) Camplate S/A	1
▲	9	74240	(000000-) Race, Bearing	2
▲	10	74210	(000000-) Bearing	1
▲	11	74283	(000000-) Seal Kit, Pump	1
▲	12	74262	(000000-) Screw, Cap	6
▲▽		74263	(000000-) Housing S/A	1
▲▲	13	79771	(000000-) Housing	1
▲▲	14	37462	(000000-) Bearing	1
▲▲	15	79742	(000000-) Plug S/A	1
▲▽	16	79743	(000000-) Cradle Sub Assy	1
▲▲	17	79744	(000000-) Dowel Bushing	2
▲▲	18	79745	(000000-) Bushing	1
▲▲	19	79746	(000000-) Cap Screw	1
▲▲	20	79747	(000000-) Cap Screw	2
▲	21	74265	(000000-) Shaft, Drive Sp	1
▲	22	74266	(000000-) Nut	1
▲	23	74267	(000000-) Lockwasher	1
▲	24	37460	(000000-) Washer	1
▲	25	13907	(000000-) Plug #8	2
▲	26	79779	(000000-) Plug,#12 O-Ring Ph	1
▲	27	74272	(000000-) Arm, Control	1
▲	28	74273	(000000-) Control, Manual (See Breakdown)	1
▲	29	74276	(000000-) Orifice, Valve	1
▲	30	74280	(000000-) Washer	1
▲	31	74281	(000000-) Washer	8

Fig. 6 - Hydraulic Piston Pump Breakdown, 74163

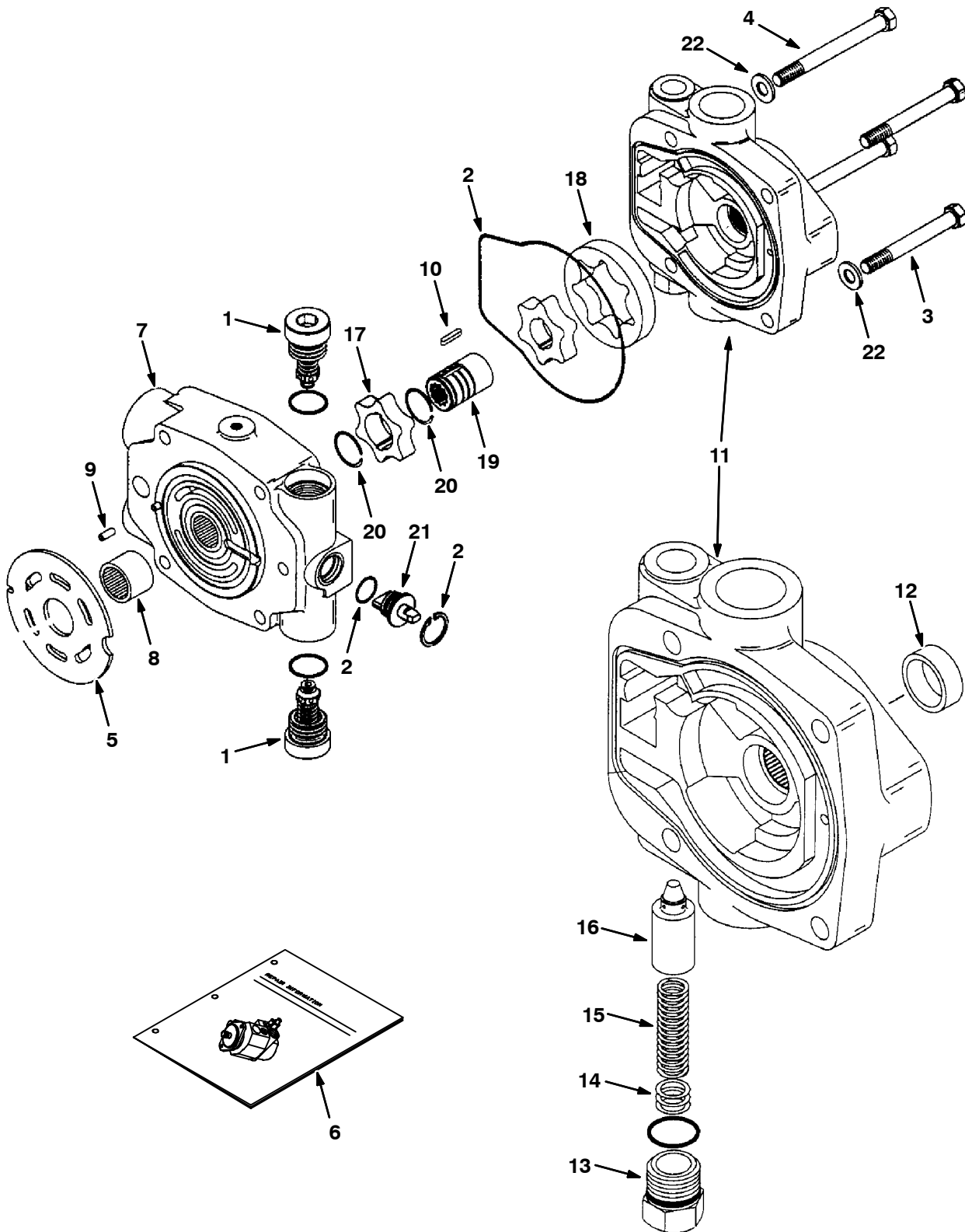


Fig. 6 - Hydraulic Piston Pump Breakdown, 74163

NOTE: Piston Pump, TENNANT Part Number 74163, includes Fig. 5, and Fig. 6.

	Ref.	Part No.	Serial Number	Description	Qty.
▽		74163	(000000-) Pump, Hyd Piston V 2.48	1
▲	1	74259	(000000-) Relief Valve Sa	2
▲	2	74283	(000000-) Seal Kit, Pump	1
▲	3	74260	(000000-) Screw, Cap	2
▲	4	74261	(000000-) Screw, Cap	2
▲	5	61886	(000000-) Valve Plate	1
▲	6	79708	(000000-) Repair Info,Pmp	1
▲▽	7	74264	(000000-) Backplate S/A	1
▲▲	8	34159	(000000-) Bearing	1
▲▲	9	79748	(000000-) Roll Pin	1
▲	10	74270	(000000-) Key	1
▲▽	11	74271	(000000-) Charge Pmp Adap	1
▲▲	12	79749	(000000-) Bushing	1
▲▲	13	79750	(000000-) Plug	1
▲▲	14	79751	(000000-) Shims	1
▲▲	15	79752	(000000-) Spring	1
▲▲	16	79753	(000000-) Poppet	1
▲	17	74274	(000000-) Geroter,Ring In	1
▲	18	74275	(000000-) Geroter,Ring Ot	1
▲	19	74277	(000000-) Coupler	1
▲	20	74278	(000000-) Ring, Retaining	2
▲	21	74279	(000000-) Actuator, Valve	1
▲	22	74282	(000000-) Washer	4

Fig. 7 - Hydraulic Piston Pump Breakdown, 373404

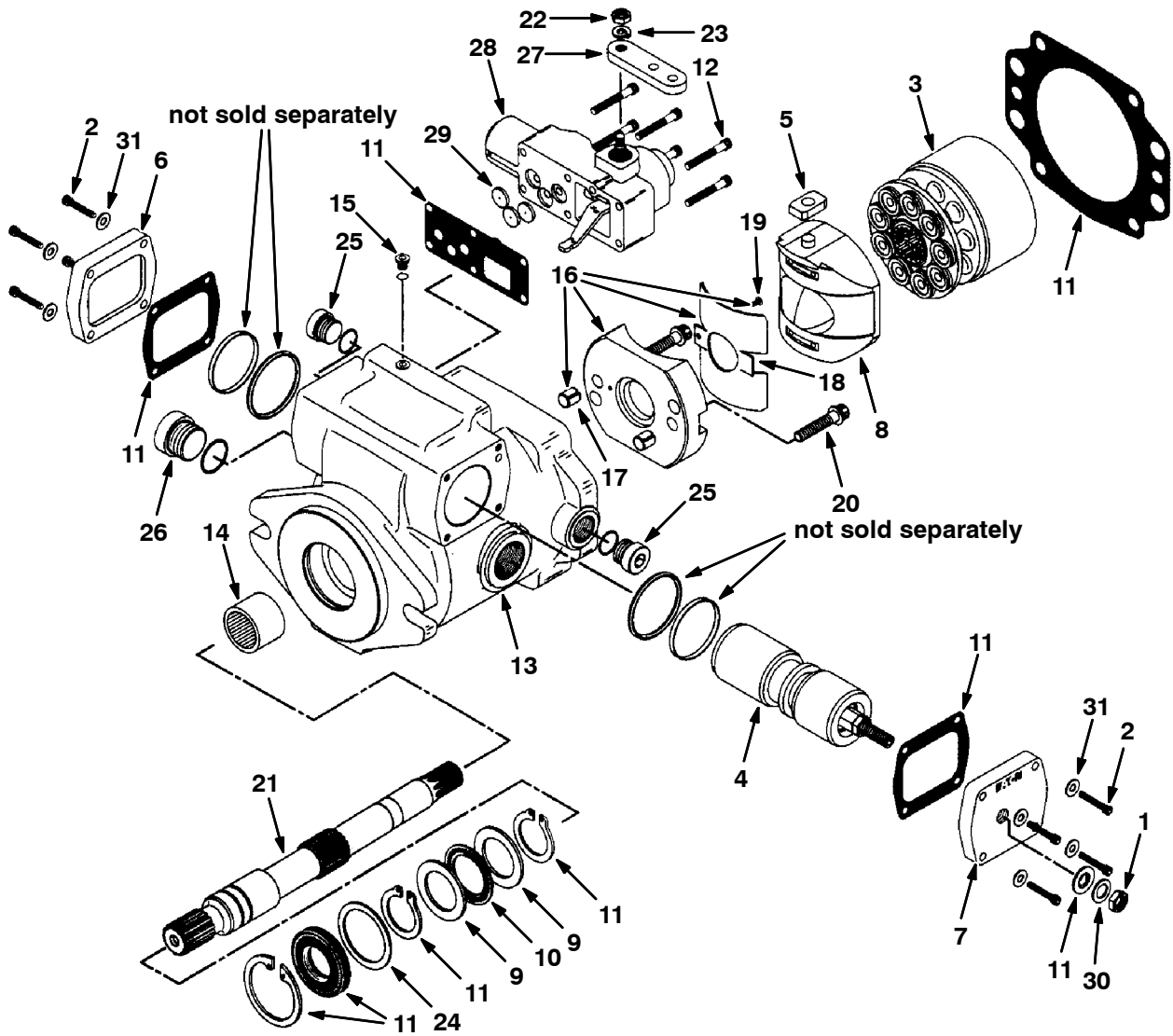


Fig. 7 - Hydraulic Piston Pump Breakdown, 373404

NOTE: Piston Pump, TENNANT Part Number 373404, includes Fig. 7, and Fig. 8.

	Ref.	Part No.	Serial Number	Description	Qty.
▽		373404	(000000-) Pump, Hyd Piston V 2.48	1
▲	1	74184	(000000-) Nut, Jam	1
▲	2	74223	(000000-) Screw, Cap	8
▲	3	61882	(000000-) Rotating Kit	1
▲	4	373407	(000000-) Piston, Servo	1
▲	5	74254	(000000-) Follower, Piston	1
▲	6	74256	(000000-) Plate, Cover	1
▲	7	74257	(000000-) Plate, Cover	1
▲	8	74258	(000000-) Camplate S/A	1
▲	9	74240	(000000-) Race, Bearing	2
▲	10	74210	(000000-) Bearing	1
▲	11	74283	(000000-) Seal Kit, Pump	1
▲	12	74262	(000000-) Screw, Cap	6
▲▽		373408	(000000-) Housing S/A	1
▲▲	13	373409	(000000-) Housing	1
▲▲	14	37462	(000000-) Bearing	1
▲▲	15	79742	(000000-) Plug S/A	1
▲▽	16	373410	(000000-) Cradle Sub Assy	1
▲▲	17	373218	(000000-) Dowel Bushing	2
▲▲	18	373414	(000000-) Bushing	1
▲▲	19	373415	(000000-) Cap Screw	1
▲▲	20	79747	(000000-) Cap Screw	2
▲	21	74265	(000000-) Shaft, Drive Sp	1
▲	22	74266	(000000-) Nut	1
▲	23	74267	(000000-) Lockwasher	1
▲	24	37460	(000000-) Washer	1
▲	25	13907	(000000-) Plug #8	2
▲	26	79779	(000000-) Plug,#12 O-Ring Ph	1
▲	27	74272	(000000-) Arm, Control	1
▲	28	74273	(000000-) Control, Manual (See Breakdown)	1
▲	29	74276	(000000-) Orifice, Valve	1
▲	30	74280	(000000-) Washer	1
▲	31	74281	(000000-) Washer	8

Fig. 8 - Hydraulic Piston Pump Breakdown, 373404

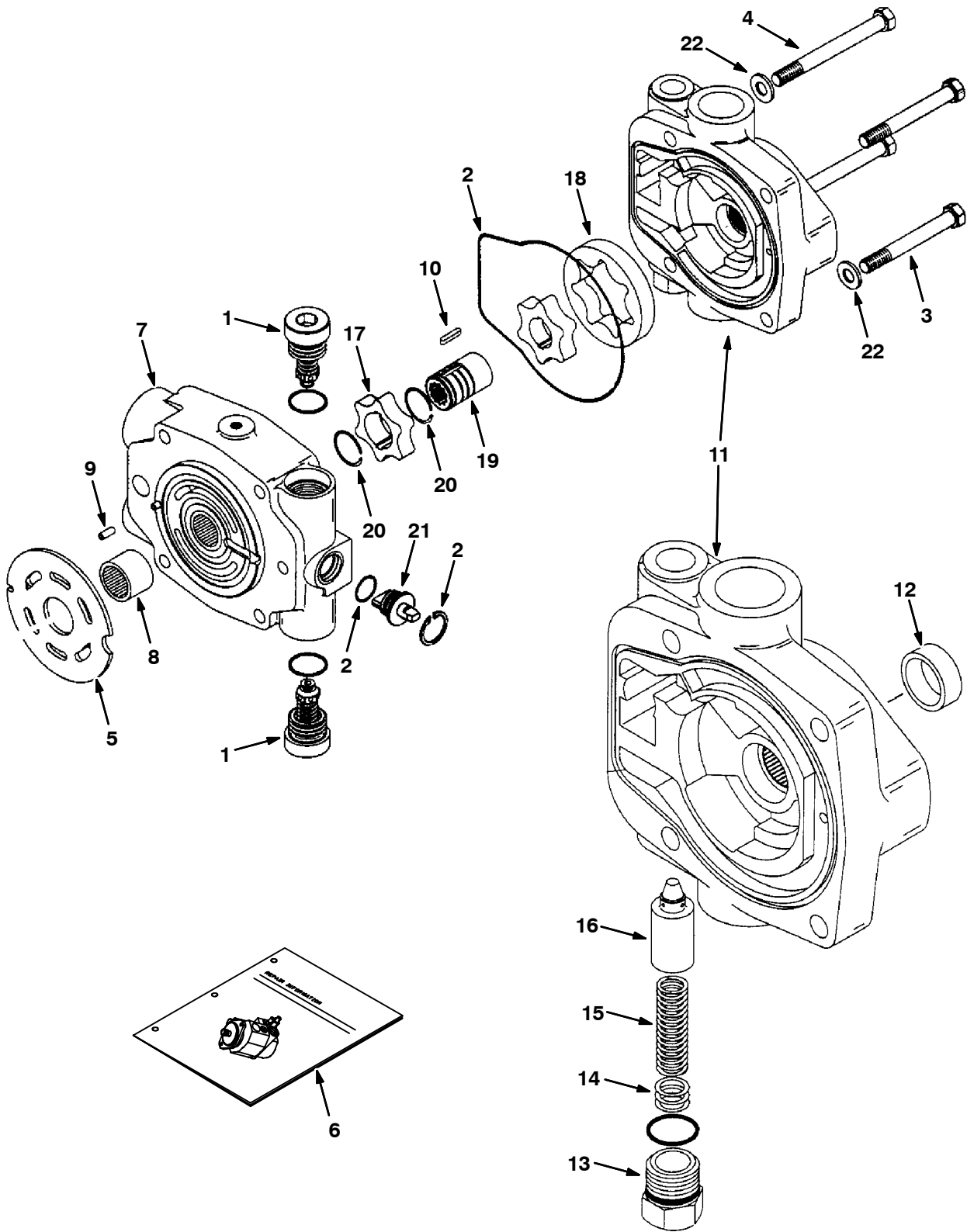


Fig. 8 - Hydraulic Piston Pump Breakdown, 373404

NOTE: Piston Pump, TENNANT Part Number 373404, includes Fig. 7, and Fig. 8.

	Ref.	Part No.	Serial Number	Description	Qty.
▽		373404	(000000-) Pump, Hyd Piston V 2.48	1
▲	1	74259	(000000-) Relief Valve Sa	2
▲	2	74283	(000000-) Seal Kit, Pump	1
▲	3	373374	(000000-) Screw, Cap	2
▲	4	373375	(000000-) Screw, Cap	2
▲	5	61886	(000000-) Valve Plate	1
▲	6	79708	(000000-) Repair Info,Pmp	1
▲▽	7	373412	(000000-) Backplate S/A	1
▲▲	8	34159	(000000-) Bearing	1
▲▲	9	79748	(000000-) Roll Pin	1
▲	10	74270	(000000-) Key	1
▲▽	11	74271	(000000-) Charge Pmp Adap	1
▲▲	12	79749	(000000-) Bushing	1
▲▲	13	79750	(000000-) Plug	1
▲▲	14	79751	(000000-) Shims	1
▲▲	15	79752	(000000-) Spring	1
▲▲	16	79753	(000000-) Poppet	1
▲	17	74274	(000000-) Geroter,Ring In	1
▲	18	74275	(000000-) Geroter,Ring Ot	1
▲	19	74277	(000000-) Coupler	1
▲	20	74278	(000000-) Ring, Retaining	2
▲	21	373413	(000000-) Actuator, Valve	1
▲	22	74282	(000000-) Washer	4

Fig. 9 - Hydraulic Gear Pump Breakdown, 373245

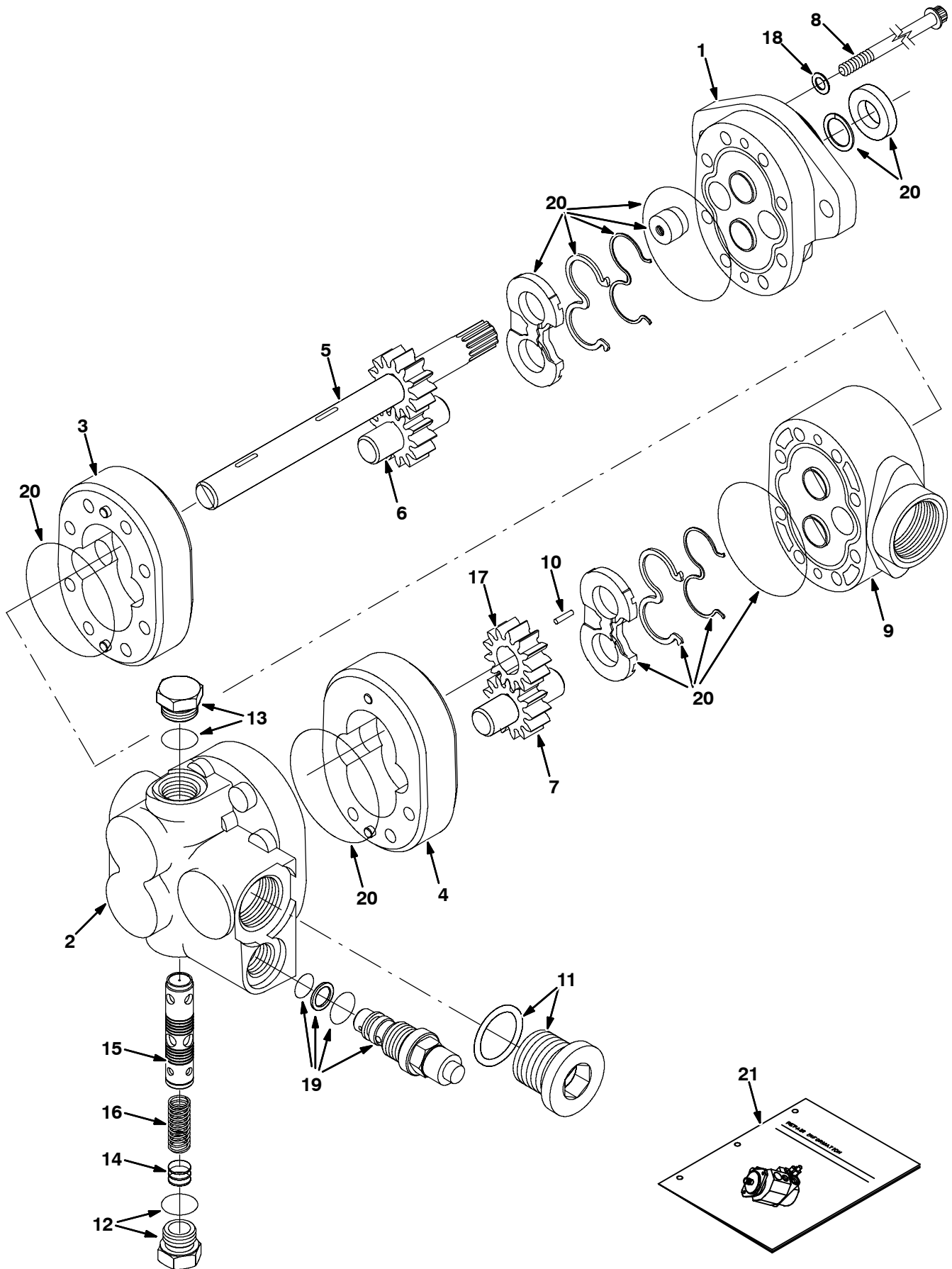


Fig. 9 - Hydraulic Gear Pump Breakdown, 373245

	Ref.	Part No.	Serial Number	Description	Qty.
▽		373245	(000000-) Pump, Hyd, Gear [Ex2] 1.69 [R] 2800	1
▲	1	373201	(000000-) Plate, Front	1
▲	2	373228	(000000-) Plate, Back	1
▲	3	373231	(000000-) Housing, Pump	1
▲	4	373232	(000000-) Housing	1
▲	5	373230	(000000-) Gear, Drive	1
▲	6	373233	(000000-) Gear, Idler	1
▲	7	373211	(000000-) Gear Assy, Idler	1
▲	8	21912	(000000-) Screw, Cap	8
▲	9	373235	(000000-) Plate, Adapter	1
▲	10	74160	(000000-) Key, Round	1
▲	11	71725	(000000-) Plug, O-ring	1
▲	12	373237	(000000-) Plug	1
▲	13	763477	(000000-) Plug	1
▲	14	373239	(000000-) Shim	1
▲	15	373241	(000000-) Spool	1
▲	16	373240	(000000-) Spring	1
▲	17	373242	(000000-) Gear	1
▲	18	373243	(000000-) Washer	4
▲	19	21914	(000000-) Valve, Relief	1
▲	20	373229	(000000-) Kit, Seal, Pump	1
▲	21	373403	(000000-) Instr, Pump Repair	1

Fig. 10 - Hydraulic Gear Pump Breakdown, 79078

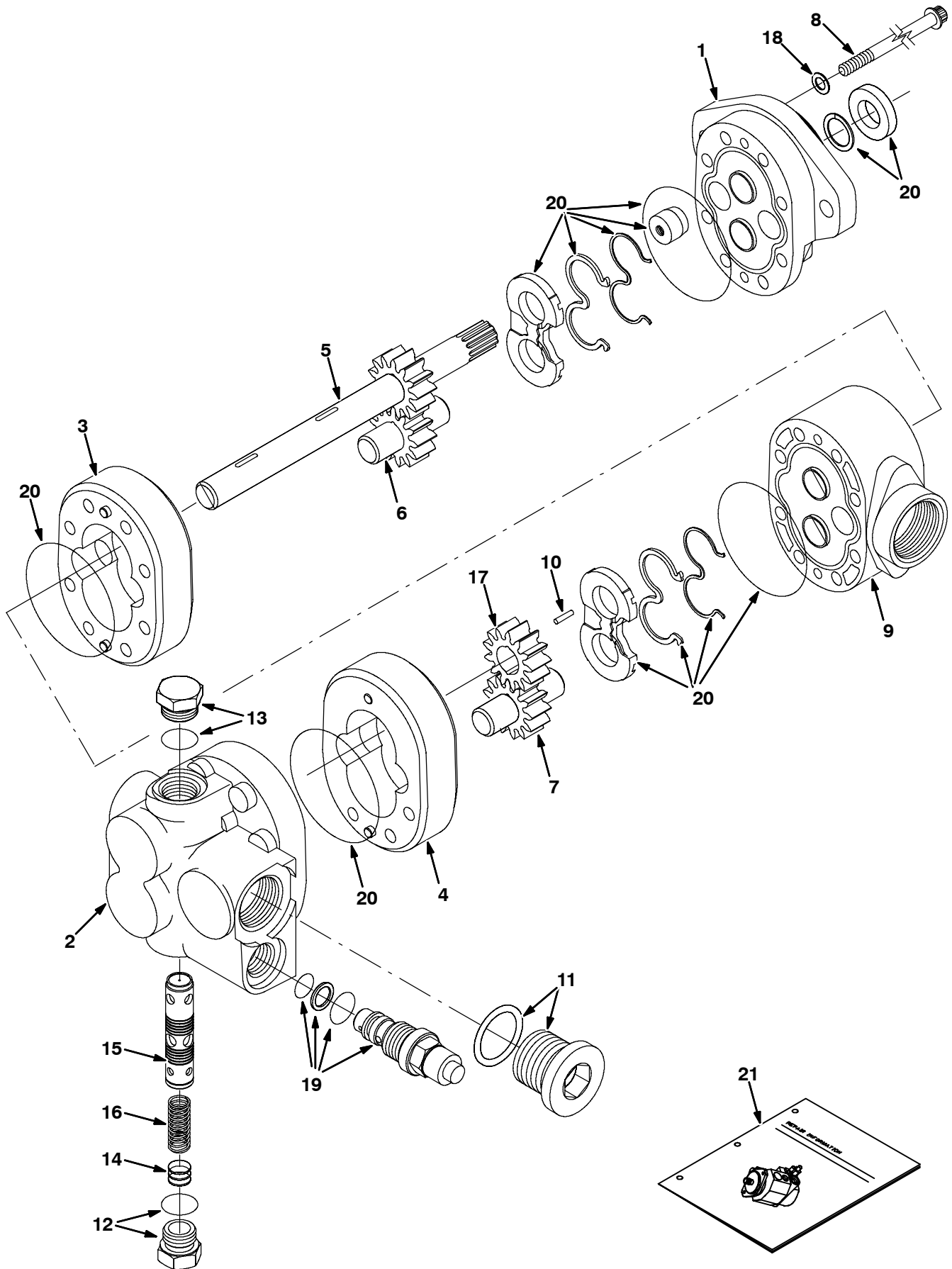


Fig. 10 - Hydraulic Gear Pump Breakdown, 79078

	Ref.	Part No.	Serial Number	Description	Qty.
▽		79078	(000000-) Pump, Hyd, Gear [Ex2] 1.69 [R] 2500 (Replaced by None)	1
▲	1	74149	(000000-) Plate, Front	1
▲	2	373552	(000000-) Plate, Back	1
▲	3	21909	(000000-) Housing, Pump	1
▲	4	74150	(000000-) Housing	1
▲	5	21910	(000000-) Gear, Drive	1
▲	6	21911	(000000-) Gear, Idler	1
▲	7	74151	(000000-) Gear Assy, Idler	1
▲	8	21912	(000000-) Screw, Cap	8
▲	9	74152	(000000-) Plate, Adapter	1
▲	10	74160	(000000-) Key, Round	1
▲	11	71725	(000000-) Plug, O-ring	1
▲	12	373237	(000000-) Plug	1
▲	13	763477	(000000-) Plug	1
▲	14	373239	(000000-) Shim	1
▲	15	21913	(000000-) Spool	1
▲	16	373240	(000000-) Spring	1
▲	17	74148	(000000-) Gear	1
▲	18	74159	(000000-) Washer	4
▲	19	21914	(000000-) Valve, Relief	1
▲	20	57094	(000000-) Kit, Seal, Pump	1
▲	21	763483	(000000-) Instr, Pump Repair	1

Fig. 11 - Hydraulic Gear Pump Breakdown, 1014956

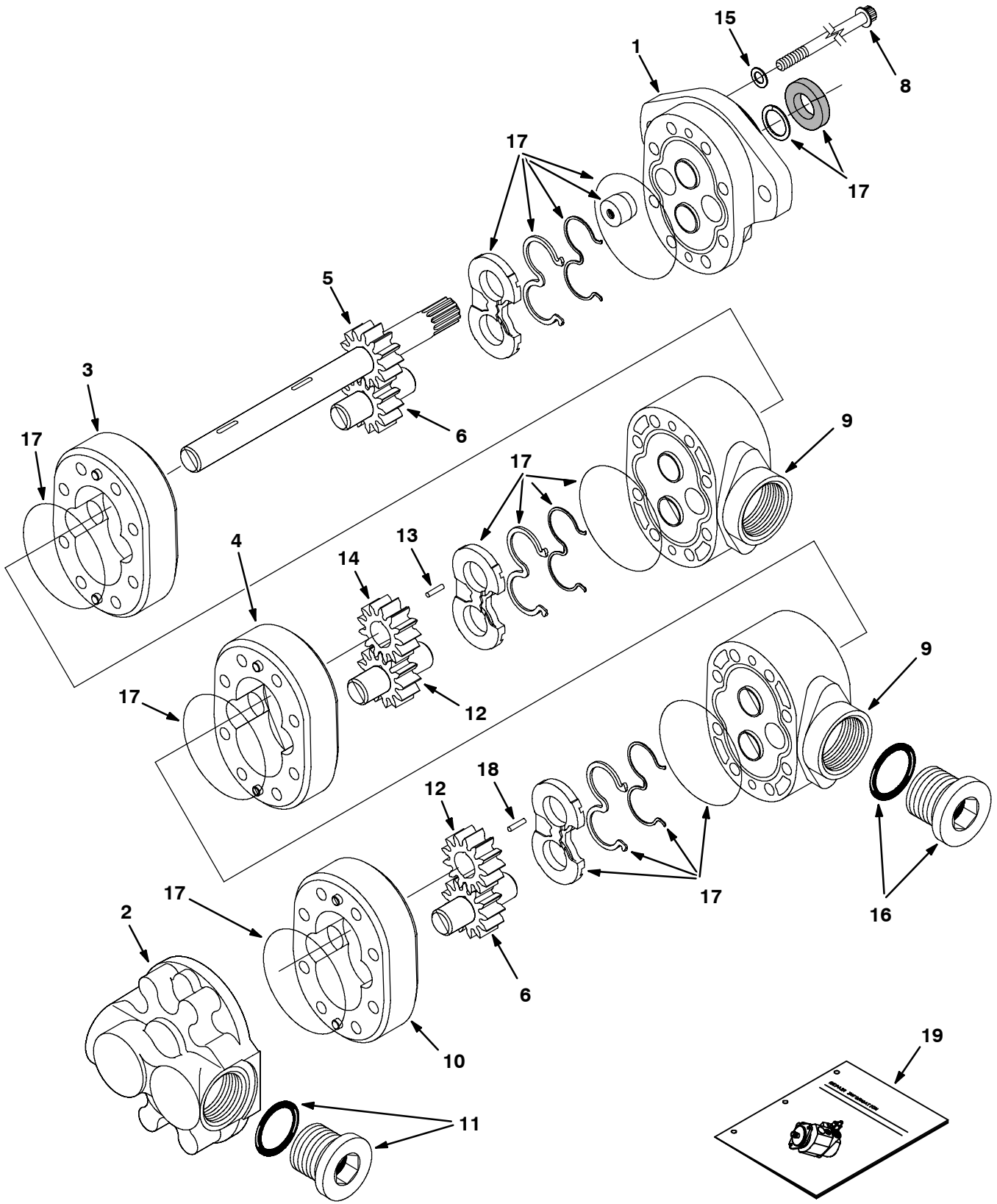
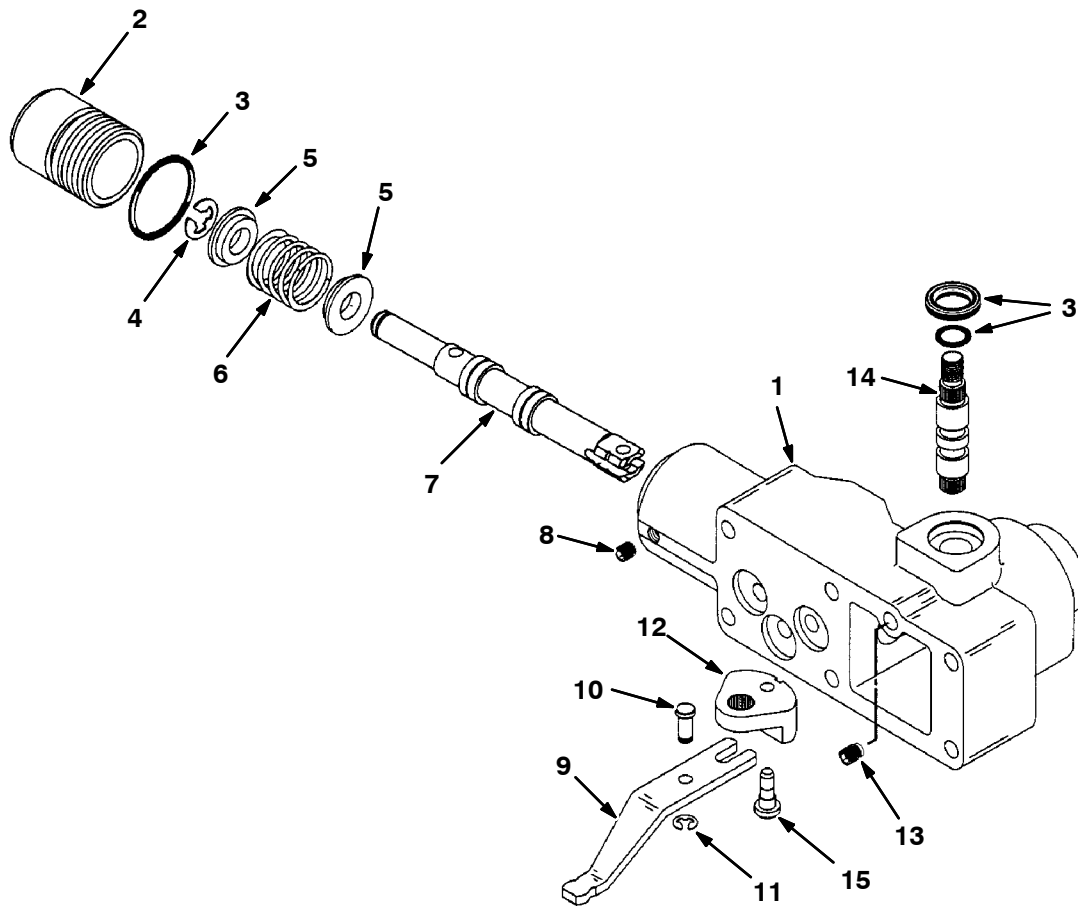


Fig. 11 - Hydraulic Gear Pump Breakdown, 1014956

Ref.	Part No.	Serial Number	Description	Qty.
▽	1014956	(000000-) Pump, Hyd, Gear, [Ex3] 1.69 [R] 3000	1
▲	1	373201	(000000-) Plate, Front, Pump, Gear [En]	1
▲	2	373267	(000000-) Plate, Back	1
▲	3	373231	(000000-) Housing, Pump	1
▲	4	373232	(000000-) Manifold, Pump, Gear [En]	1
▲	5	373616	(000000-) Gear, Drive, Pump, Hyd [En]	1
▲	6	373286	(000000-) Gear Assy, Idler, Pump, Hyd	2
▲	7	373233	(000000-) Gear, Idler	2
▲	8	74154	(000000-) Screw, Cap, Motor, Hyd [En]	8
▲	9	373235	(000000-) Plate, Adaptor, Pump, Hyd [En]	2
▲	10	373285	(000000-) Manifold, Pump, Gear [En]	1
▲	11	373288	(000000-) Gear, Drive, Pump, Hyd [En]	1
▲	12	373211	(000000-) Gear Assy, Idler, Pump, Hyd [En]	1
▲	13	373284	(000000-) Key, Round [En]	1
▲	14	373242	(000000-) Gear, Drive, Pump, Hyd [En]	1
▲	15	373235	(000000-) Plate, Adaptor, Pump, Hyd [En]	4
▲	16	74161	(000000-) Fitting, Hyd, Plug, Om20	1
▲	17	373255	(000000-) Kit, Seal, Pump, Hyd [En]	1
▲	18	373287	(000000-) Key, Round [En]	1
▲	19	373403	(000000-) Instr, Pump Repair	1

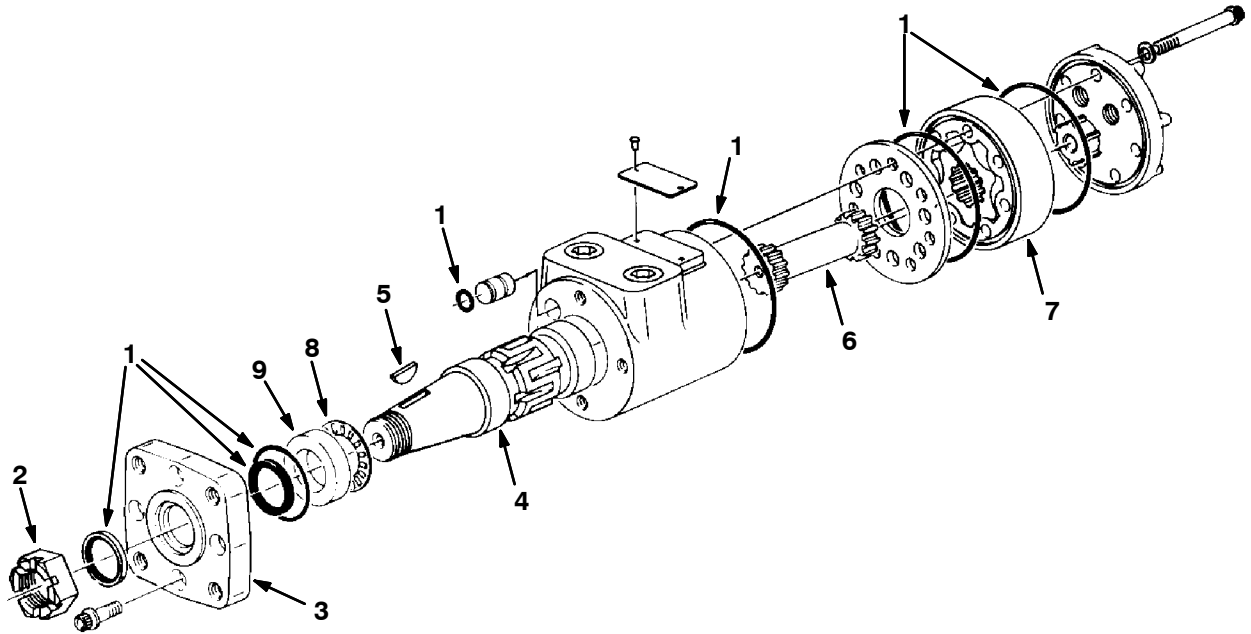
Fig. 12 - Manual Control Breakdown, 74273



10134 - 550, 1550

Ref.	Part No.	Serial Number	Description	Qty.
▽	74273	(000000-) Control, Manual	1
▲	1 79754	(000000-) Housing,Control	1
▲	2 79755	(000000-) Plug	1
▲	3 79776	(000000-) Seal Kit,Cntrl	1
▲	4 79756	(000000-) Ring, Retaining	1
▲	5 79757	(000000-) Spring,Retainer	2
▲	6 79758	(000000-) Spring, Cntr	1
▲	7 79759	(000000-) Valve Spool	1
▲	8 79760	(000000-) Screw, Set	1
▲	9 79761	(000000-) Link, Feedback	1
▲	10 79762	(000000-) Dowel Pin	1
▲	11 79763	(000000-) Ring, Retaining	1
▲	12 79764	(000000-) Bell Crank	1
▲	13 79765	(000000-) Screw, Set	1
▲	14 79766	(000000-) Shaft, Input	1
▲	15 79767	(000000-) Pin, Headed	1

Fig. 13 - Hydraulic Motor Breakdown, 27792



09795 - 550, 1550

Ref.	Part No.	Serial Number	Description	Qty.	
▽	27792	(000000-) Motor, Hydraulic	1	
▲	1	28835	(000000-) Seal Kit	1
▲	2	39527	(000000-) Nut, Slotted	1
▲	3	31354	(000000-) Flange, Mounting	1
▲	4	37617	(000000-) Shaft, Output	1
▲	5	00500-15	(000000-) Key, Woodruff	1
▲	6	31377	(000000-) Drive	1
▲	7	31382	(000000-) Gerotor	1
▲	8	45628	(000000-) Bearing	1
▲	9	16695	(000000-) Race, Thrust	1

Fig. 14 - Hydraulic Motor Breakdown, 22604

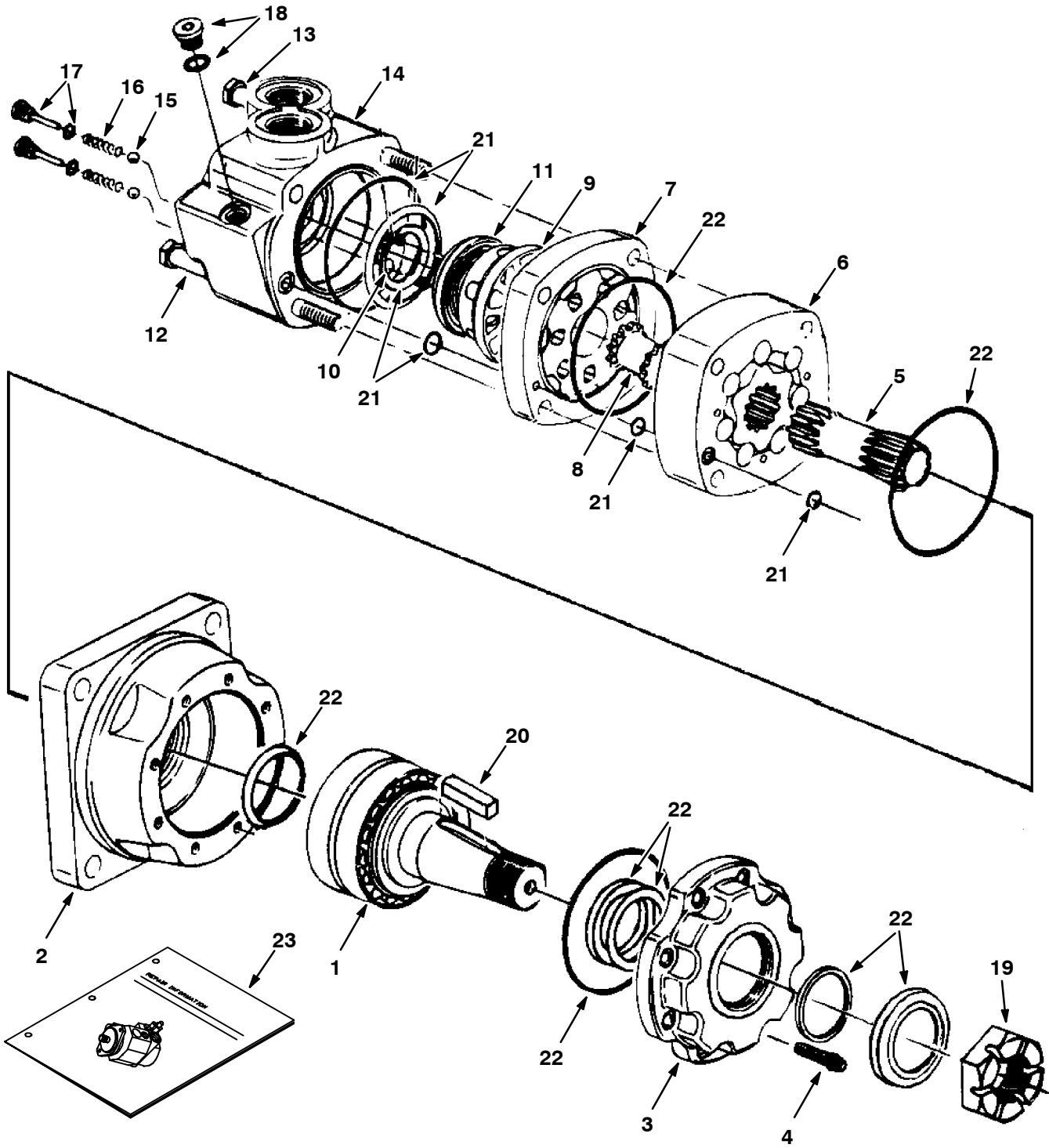
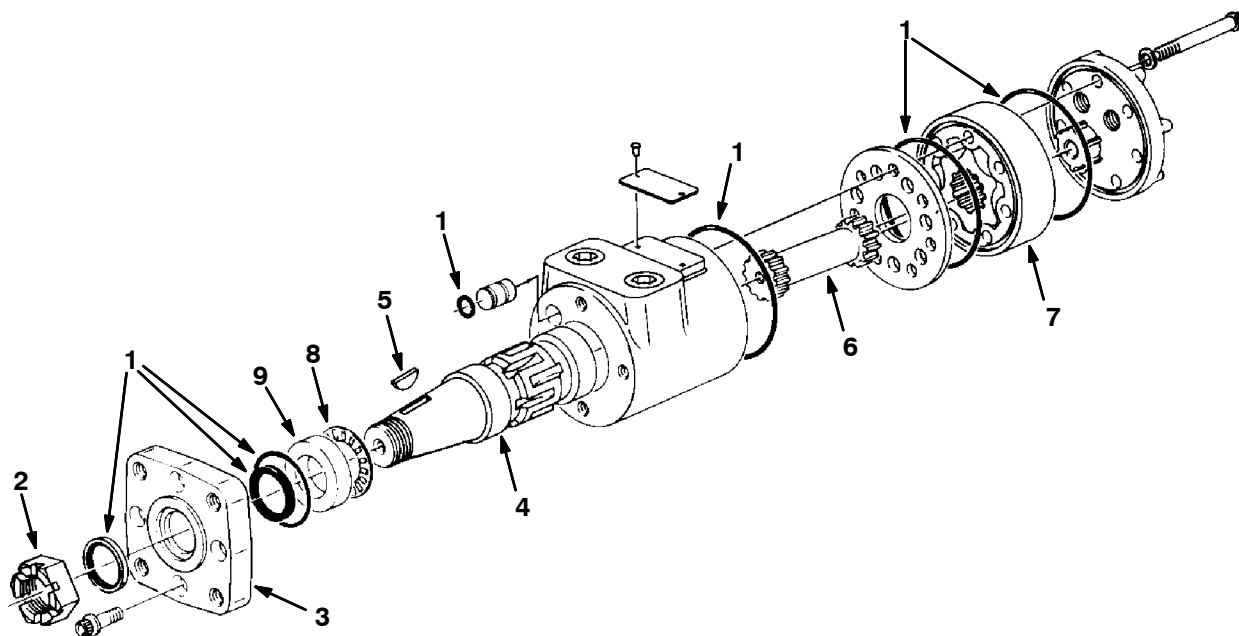


Fig. 14 - Hydraulic Motor Breakdown, 22604

	Ref.	Part No.	Serial Number	Description	Qty.
▽		22604	(000000-) Motor, Hyd Gear	1
▲	1	74165	(000000-) Shaft S/A	1
▲	2	74166	(000000-) Housing, Brg	1
▲	3	74167	(000000-) Retainer, Frt	1
▲	4	74168	(000000-) Screw, Cap	8
▲	5	37616	(000000-) Drive	1
▲	6	37756	(000000-) Geroler	1
▲	7	74122	(000000-) Plate, Valve	1
▲	8	52405	(000000-) Valve	1
▲	9	74123	(000000-) Valve	1
▲	10	34178	(000000-) Spring	2
▲	11	38968	(000000-) Ring	1
▲	12	74125	(000000-) Bolt	3
▲	13	38255	(000000-) Bolt	1
▲	14	74171	(000000-) Housing Assy,	1
▲	15	37766	(000000-) Ball	2
▲	16	34179	(000000-) Spring	2
▲	17	74137	(000000-) Plug Assembly	2
▲	18	74098	(000000-) Plug #4	1
▲	19	45622	(000000-) Nut	1
▲	20	45623	(000000-) Key	1
▲	21	33580	(000000-) Seal Kit, Rear	1
▲	22	79828	(000000-) Seal Kit, Shaft	1
▲	23	74249	(000000-) Instr. Repair Info, Motor	1

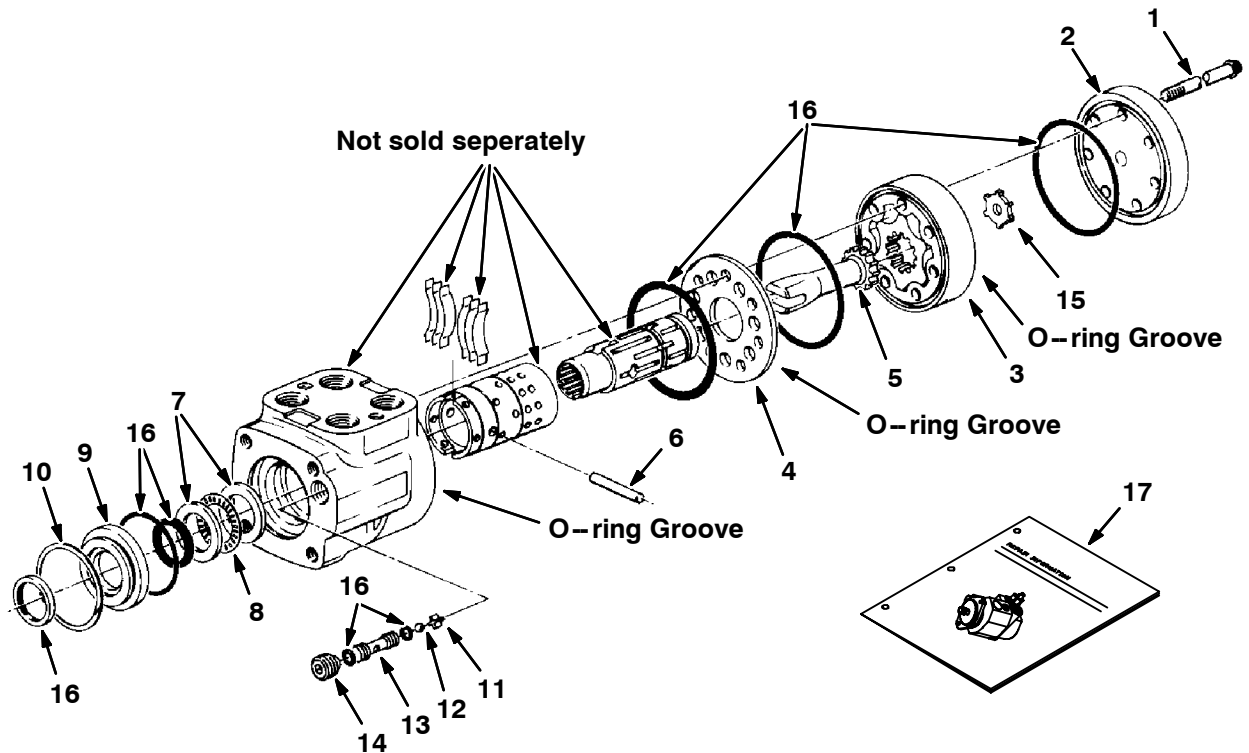
Fig. 15 - Hydraulic Motor Breakdown, 61489



09795 - 550, 1550

Ref.	Part No.	Serial Number	Description	Qty.	
▽	61489	(000000-) Motor, Hydraulic	1	
▲	1	61490	(000000-) Seal Kit	1
▲	2	39527	(000000-) Nut, Slotted	1
▲	3	31354	(000000-) Flange, Mounting	1
▲	4	37617	(000000-) Shaft, Output	1
▲	5	00500-15	(000000-) Key, Woodruff	1
▲	6	31377	(000000-) Drive	1
▲	7	31382	(000000-) Gerotor	1
▲	8	45628	(000000-) Bearing	1
▲	9	16695	(000000-) Race, Thrust	1

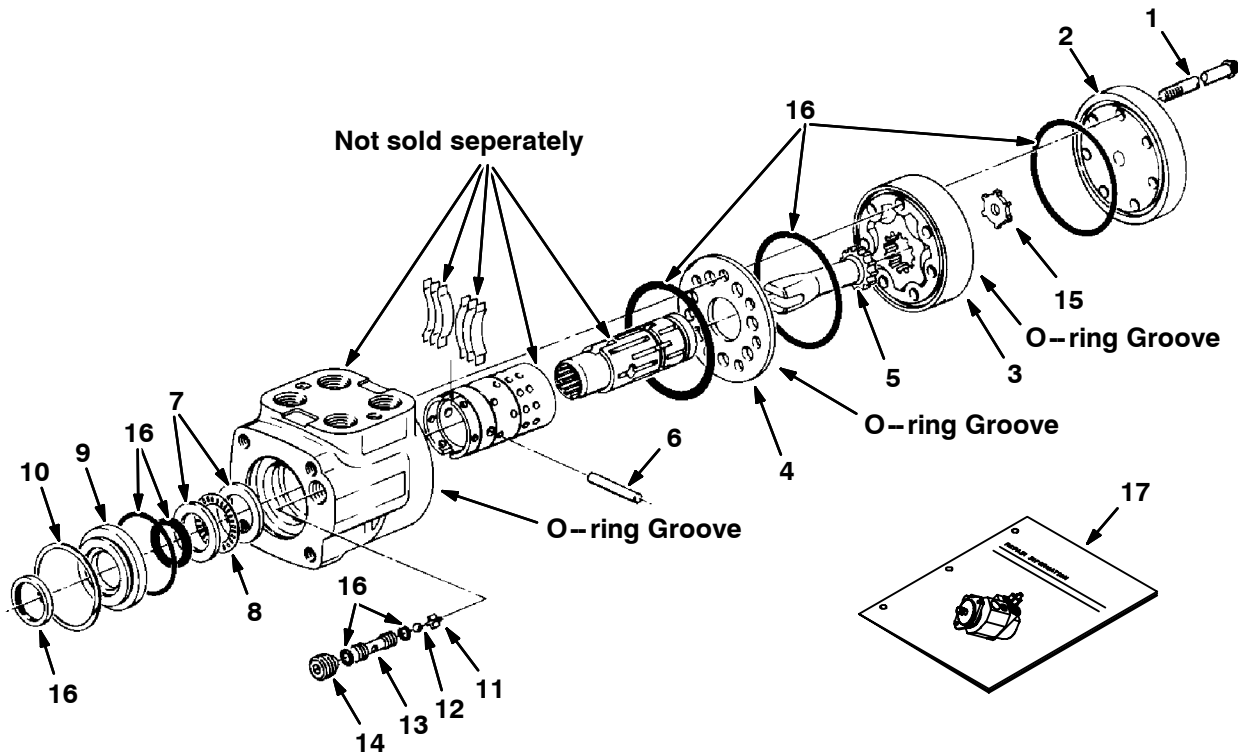
Fig. 16 - Hydraulic Steering Valve Breakdown, 57982



09936-09670 - ALL

Ref.	Part No.	Serial Number	Description	Qty.
▽	57982	(000000-) Steer Control, Hyd 3 6.2 1000	1
▲	1 74097	(000000-) Cap Screw	7
▲	2 38873	(000000-) Cover Cap	1
▲	3 57156	(000000-) Geroter	1
▲	4 74094	(000000-) Spacer Plate	1
▲	5 58596	(000000-) Drive	1
▲	6 74218	(000000-) Pin	1
▲	7 74109	(000000-) Race, Bearing	2
▲	8 74110	(000000-) Bearing, Needle	1
▲	9 74112	(000000-) Bushing, Seal	1
▲	10 74111	(000000-) Ring, Retainer	1
▲	11 74186	(000000-) Retainer, Chk	1
▲	12 74187	(000000-) Ball	1
▲	13 74188	(000000-) Seat, Chk Ball	1
▲	14 74189	(000000-) Screw Set	1
▲	15 74105	(000000-) Spacer	1
▲	16 57152	(000000-) Seal Kit,Stg	1
▲	74195	(000000-) Spring Kit, Scu	1
▲	17 74251	(000000-) Repair Info,Scu	1

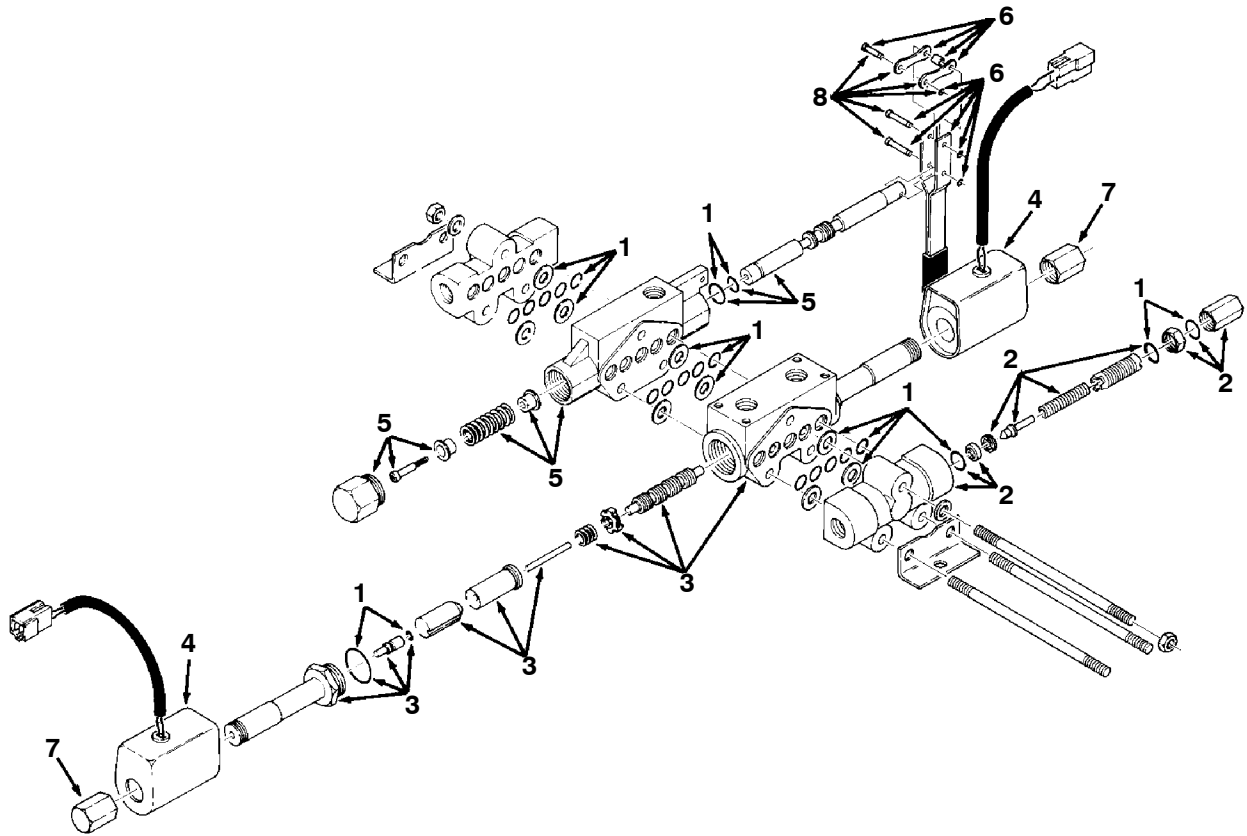
Fig. 17 - Hydraulic Steering Valve Breakdown, 74176



09936-09670 - ALL

Ref.	Part No.	Serial Number	Description	Qty.
▽	74176	(000000-	Steer Control, Hyd #4 05.9 150	1
▲	1 65241	(000000-	Cap Screw	7
▲	2 74181	(000000-	Cap, End	1
▲	3 57156	(000000-	Geroter	1
▲	4 74182	(000000-	Plate, Wear	1
▲	5 58596	(000000-	Drive	1
▲	6 74218	(000000-	Pin	1
▲	7 74109	(000000-	Race, Bearing	2
▲	8 74110	(000000-	Bearing, Needle	1
▲	9 74112	(000000-	Bushing, Seal	1
▲	10 74111	(000000-	Ring, Retainer	1
▲	11 74186	(000000-	Retainer, Chk	1
▲	12 74187	(000000-	Ball	1
▲	13 74188	(000000-	Seat, Chk Ball	1
▲	14 74189	(000000-	Screw Set	1
▲	15 74105	(000000-	Spacer	1
▲	16 74190	(000000-	Seal Kit, Scu	1
▲	74195	(000000-	Spring Kit, Scu	1
▲	17 74251	(000000-	Repair Info,Scu	1

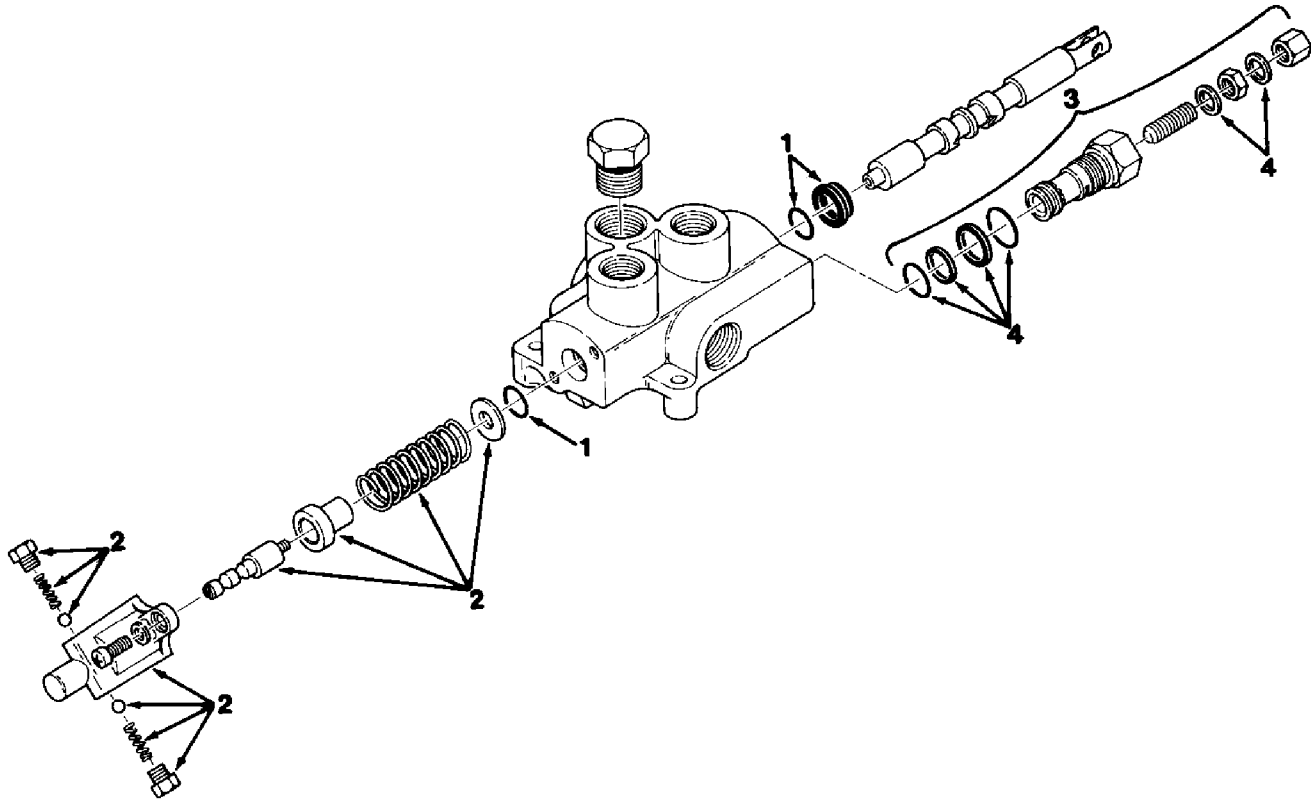
Fig. 18 - Hydraulic Solenoid Valve Breakdown, 31575



02392 - 550, 1550

Ref.	Part No.	Serial Number	Description	Qty.	
▽	31575	(000000-) Valve, Hydraulic, Solenoid	1	
▲	1	04198	(000000-) Seal Kit	1
▲	2	31642	(000000-) Inlet Section	1
▲	3	31643	(000000-) Valve Section	1
▲	4	02536	(000000-) Coil	2
▲	5	02520	(000000-) Valve Section, Manual	1
▲	6	02519	(000000-) Handle Assembly, Complete	1
▲	7	04525	(000000-) Nut, Solenoid	2
▲	8	04185	(000000-) Linkage Kit, Handle	1

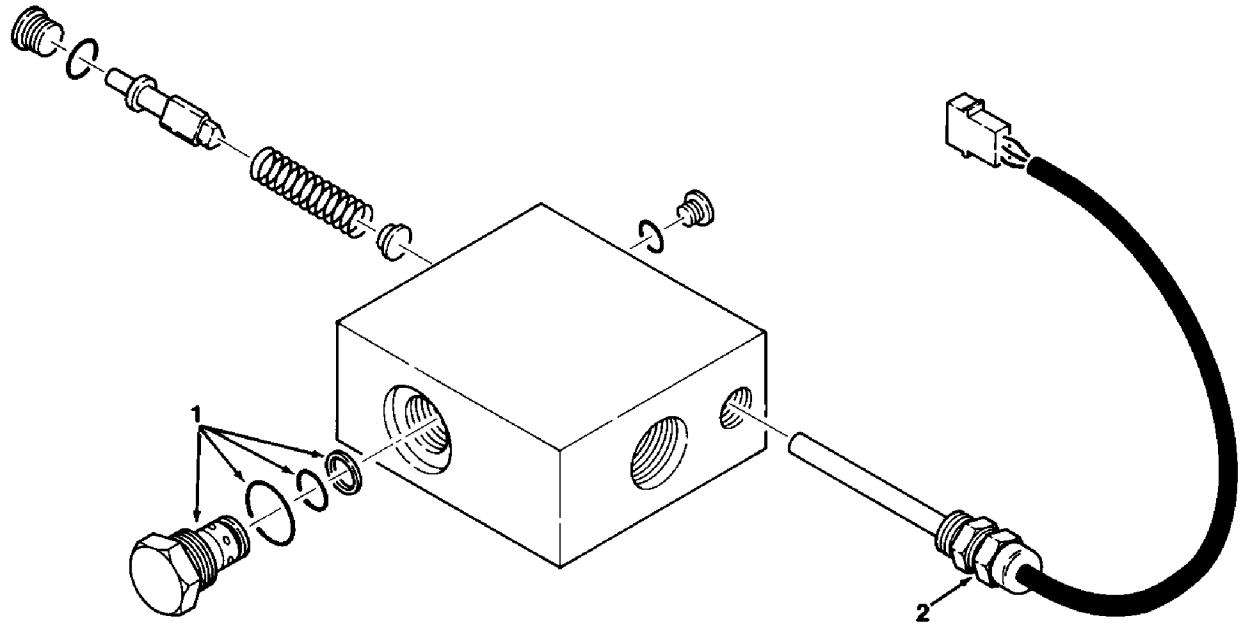
Fig. 19 - Hydraulic Valve Breakdown, 32761



02362 - 550, 1550

Ref.	Part No.	Serial Number	Description	Qty.
▽	32761	(000000-) Valve, Hydraulic	1
▲	1 01666	(000000-) Seal Kit	1
▲	2 01668	(000000-) Detent Kit	1
▲▽	3 01818	(000000-) Relief Valve	1
▲▲	4 69261	(000000-) Seal Kit, Relief Valve	1

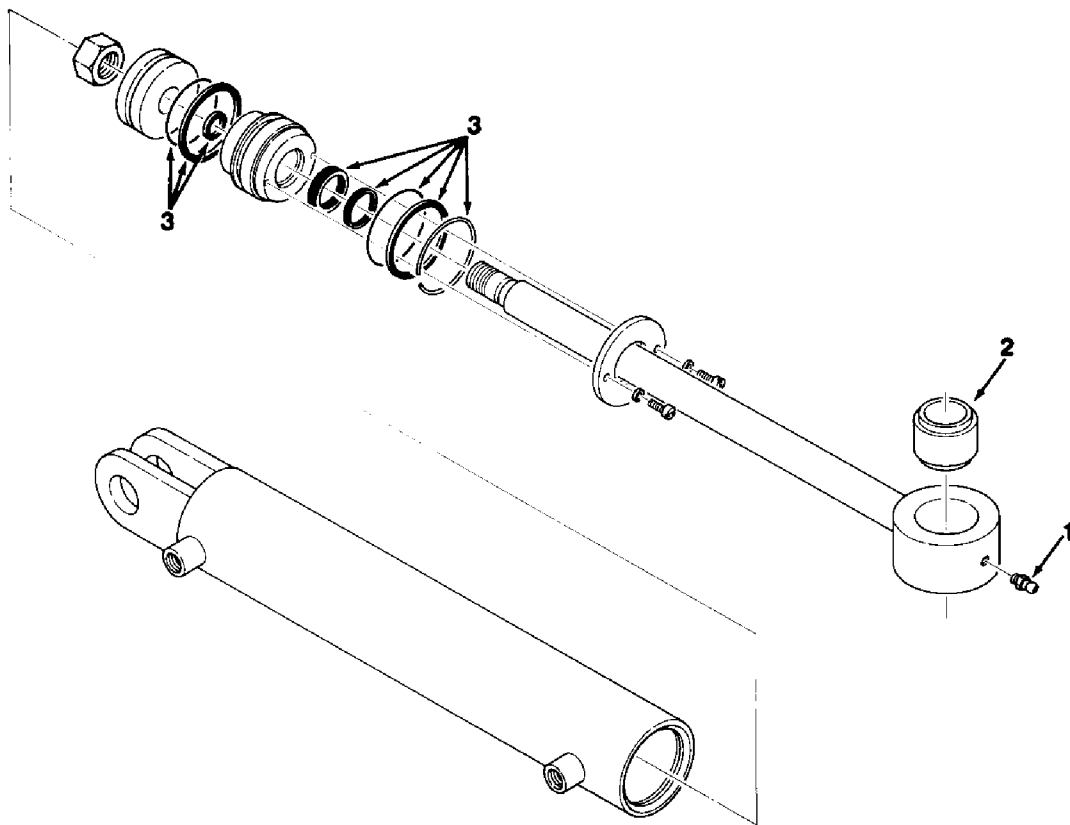
Fig. 20 - Hydraulic Flow Switch Breakdown, 31556



02399 - 550, 1550

Ref.	Part No.	Serial Number	Description	Qty.
▽	31556	(000000-) Switch, Flow	1
▲	1 31638	(000000-) Check Valve	1
▲	2 31639	(000000-) Switch Assembly	1

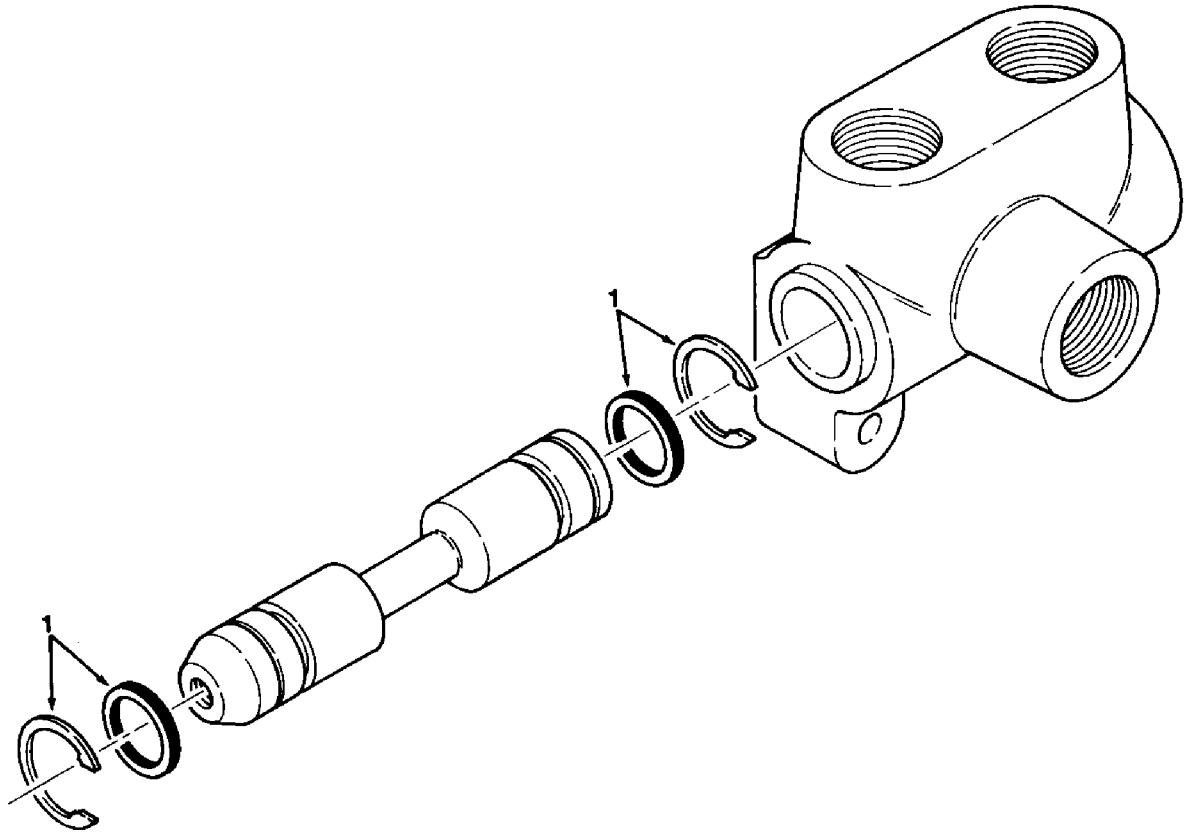
Fig. 21 - Hydraulic Cylinder Breakdown, 04431



03175 - ALL

	Ref.	Part No.	Serial Number	Description	Qty.
▽		04431	(000000-) Cylinder, Hydraulic	1
▲	1	47801	(000000-) Fitting, Grease	1
▲	2	04499	(000000-) Bearing, Self-Aligning	1
▲	3	04477	(000000-) Seal Kit	1

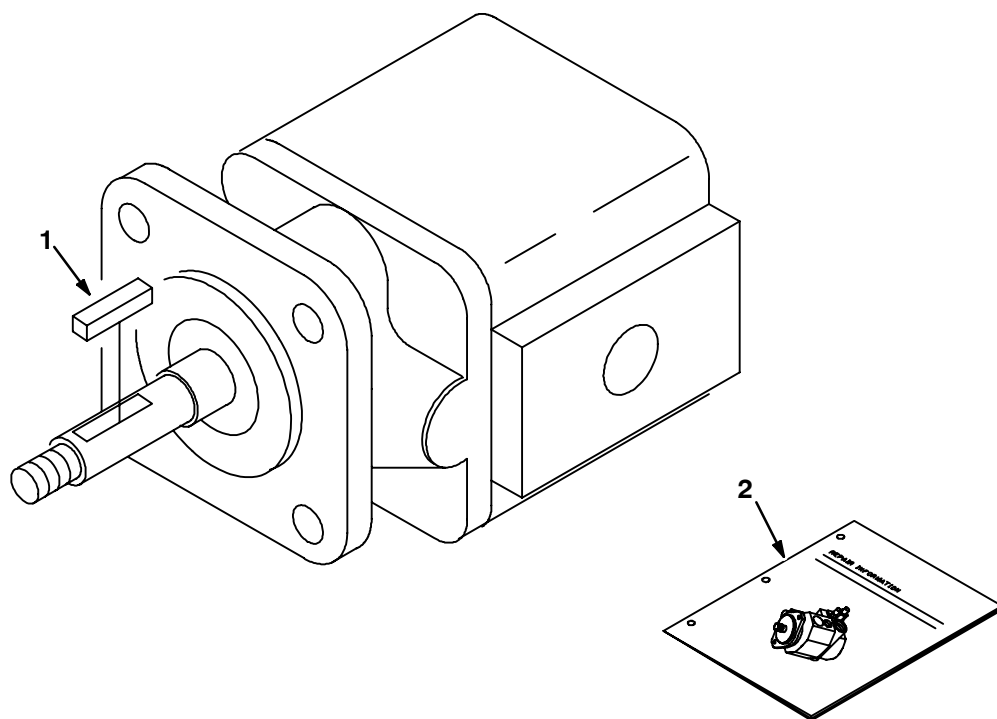
Fig. 22 - Hydraulic Valve Breakdown, 48108A



04230 - ALL

	Ref.	Part No.	Serial Number	Description	Qty.
▽		48108A	(000000-) Valve, Hydraulic	1
▲	1	SK1288	(000000-) Seal Kit	1

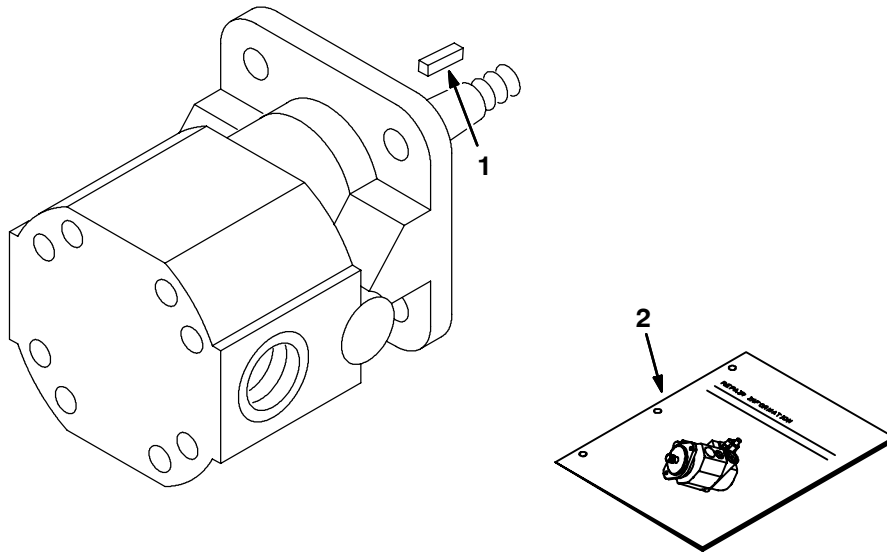
Fig. 23 - Hydraulic Motor Breakdown, 1023322



09664-09670 - 550, 1550, G, LP

Ref.	Part No.	Serial Number	Description	Qty.
▽	1023322	(000000-) Motor, Hyd Gear Ex 0.13 L 3000	1
▲	1 00954	(000000-) Key Square 0.12 0.12 01.00 Lg	1
▲	74233	(000000-) Kit, Seal, Motor, Hyd, Gear [Barns]	1
▲	2 IB3614	(000000-) Instr, Seal Kit, Motor	1

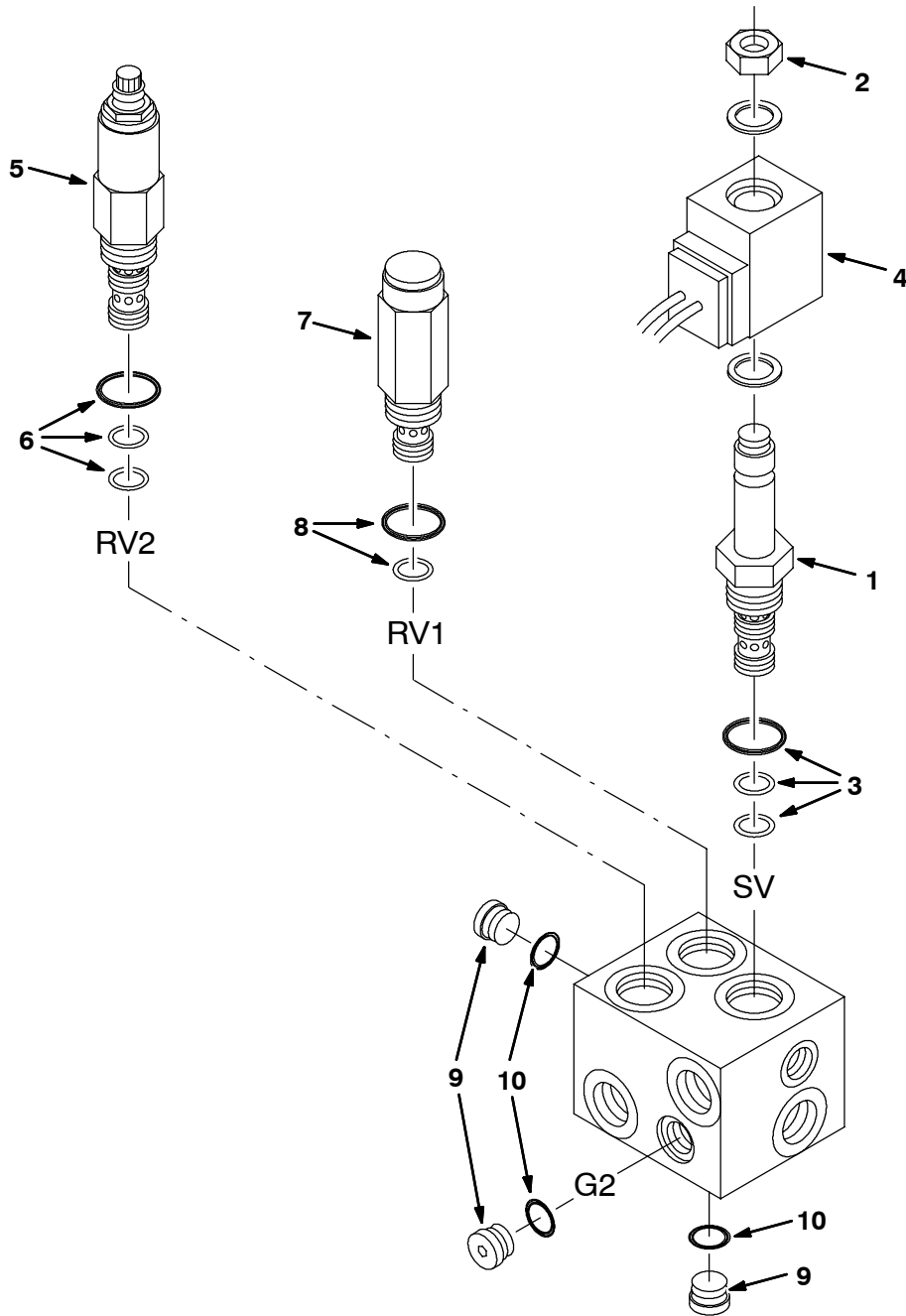
Fig. 24 - Hydraulic Motor Breakdown, 1019272



354311-09670 - 550, 1550, G, LP

	Ref.	Part No.	Serial Number	Description	Qty.
▽		1019272	(000000-) Motor, Hyd, Gear, [Ex] 0.32 R 3000	1
▲	1	00960	(000000-) Key, Sq, 0.12 X 0.12, 0.50l	1
▲		74233	(000000-) Kit, Seal, Motor, Hyd, Gear [Barns]	1
▲	2	IB3614	(000000-) Instr, Seal Kit, Motor	1

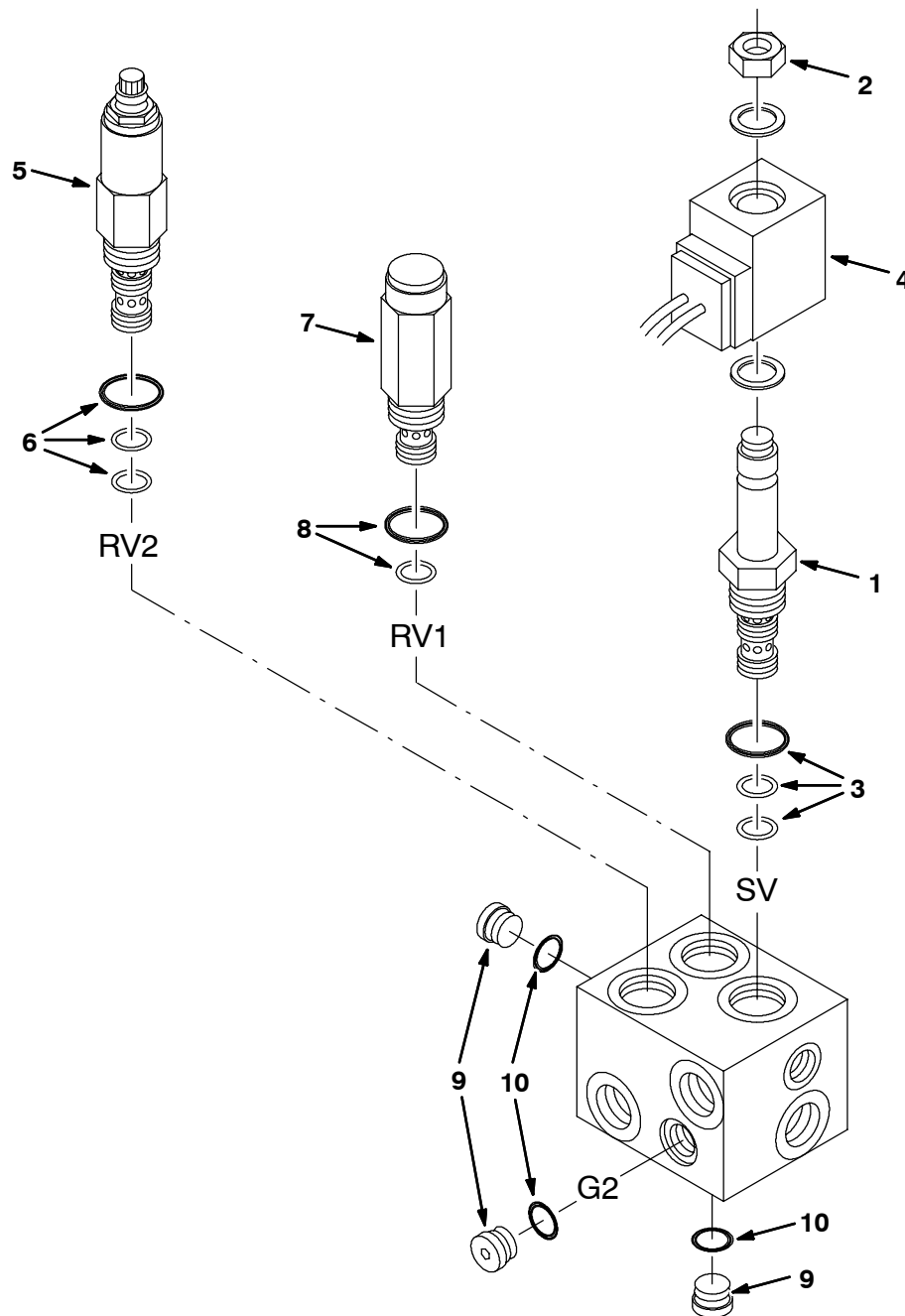
Fig. 25 - Hydraulic Solenoid Valve Breakdown, 1020194



354386 - G, LP, GM, 550, 1550

Ref.	Part No.	Serial Number	Description	Qty.
▽	1020194	(000000-) Valve, Hyd, Solenoid [01s15g3100]	1
▲▽	1 373624	(000000-) Valve, Stem, No	1
▲▲	2 373611	(000000-) Nut, Solenoid	1
▲▲	3 373590	(000000-) Seal Kit, Cartridge	1
▲	4 373625	(000000-) Solenoid, Valve, Hyd, 12vdc	1
▲▽	5 373626	(000000-) Valve, Cartridge, Cntrl	1
▲▲	6 373590	(000000-) Seal Kit, Cartridge	1
▲▽	7 22673	(000000-) Valve, Cartridge, Hyd, Press Cntrl	1
▲▲	8 79711	(000000-) Seal Kit, Cartridge	1
▲▽	9 74098	(000000-) Fitting, Hyd, Plug, Om04	3
▲▲	10 77003	(000000-) Seal, Org, .072 X 00.35id #04	1

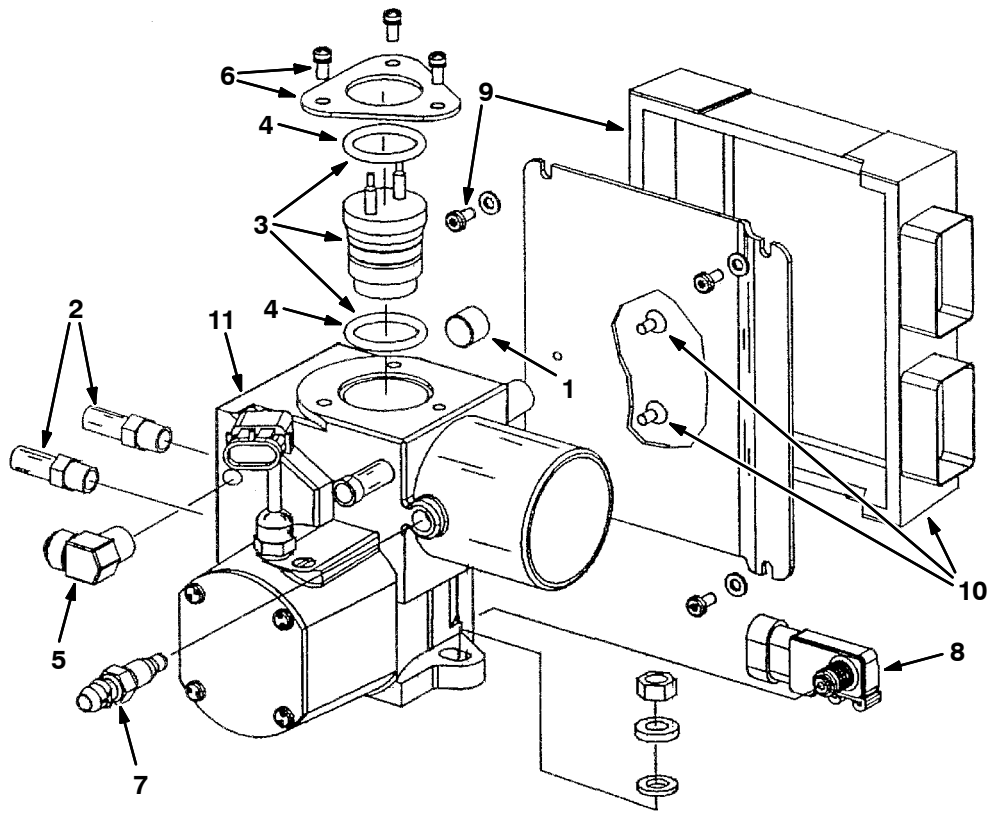
Fig. 26 - Hydraulic Solenoid Valve Breakdown, 1042535



354386 - G, LP, GM, 550, 1550

Ref.	Part No.	Serial Number	Description	Qty.
▽	1042535	(000000-) Valve, Cntrl, Hyd, Solenoid, 12vdc 15gpm	1
▲▽	1 373624	(000000-) Valve, Stem, No	1
▲▲	2 373611	(000000-) Nut, Solenoid	1
▲▲	3 373590	(000000-) Seal Kit, Cartridge	1
▲	4 373625	(000000-) Solenoid, Valve, Hyd, 12vdc	1
▲▽	5 373689	(000000-) Valve, Cartridge, Hyd, Press Cntrl	1
▲▲	6 373590	(000000-) Seal Kit, Cartridge	1
▲▽	7 22673	(000000-) Valve, Cartridge, Hyd, Press Cntrl	1
▲▲	8 79711	(000000-) Seal Kit, Cartridge	1
▲▽	9 74098	(000000-) Fitting, Hyd, Plug, Om04	3
▲▲	10 77003	(000000-) Seal, Org, .072 X 00.35id #04	1

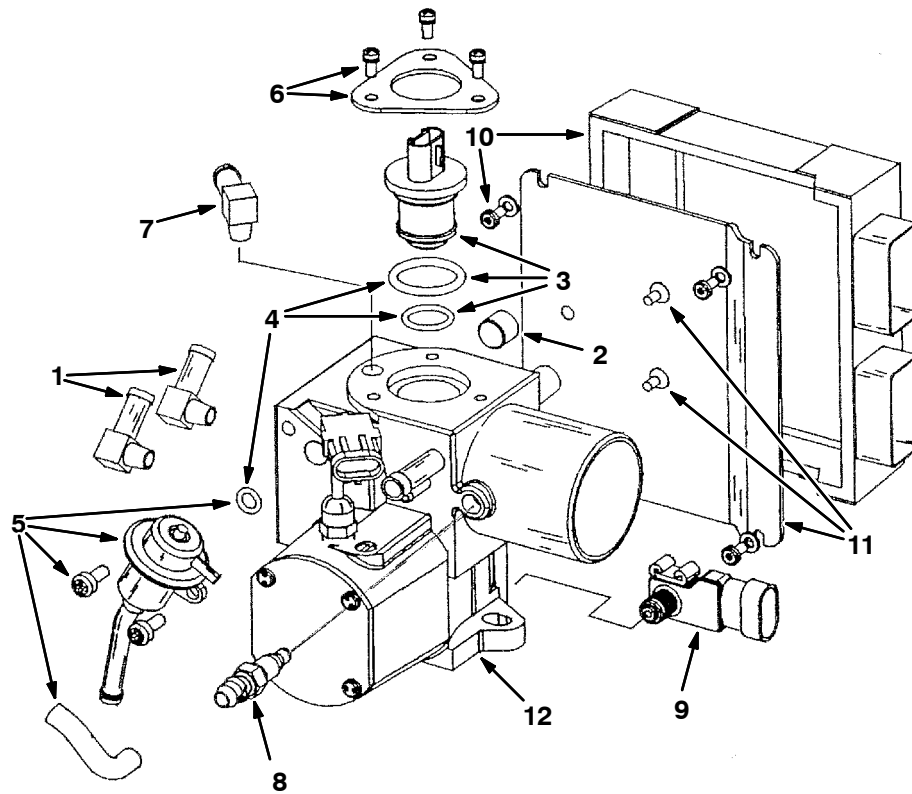
Fig. 27 - LPG EFI Breakdown, 371663



550, 1550, LP

Ref.	Part No.	Serial Number	Description	Qty.
▽	371663	(000000-)	Housing Assy, Throttle, Lpg, [With Ecu]	1
▲	1 371660	(000000-)	Fitting, Coolant Plug	1
▲	2 371670	(000000-)	Kit, Ftg, Coolant, Lpg	1
▲▽	3 1017469	(000000-)	Injector, Fuel, Lpg [Gm Zeems 550/6600]	1
▲▲	4 371665	(000000-)	Kit, Org, Injector, Top And Bottom, Lpg	1
▲	5 371666	(000000-)	Fitting, Fuel Inlet, Lpg	1
▲	6 371651	(000000-)	Plate, Injector Mtg, W/ Screw	1
▲	7 371653	(000000-)	Sensor, Temp	1
▲	371714	(000000-)	Kit, Connector, Coolant Sensor	1
▲	371715	(000000-)	Kit, Connector, Sensor, [lat]	1
▲	8 371654	(000000-)	Sensor, Manifold Press	1
▲	371713	(000000-)	Kit, Connector, Sensor, [Map]	1
▲	9 9000887	(000000-)	Controller Kit, Replmt	1
▲	10 371668	(000000-)	Plate, Mtg, W/ Screw, [Ecu], Lpg	1
▲	11 371669	(000000-)	Housing, Throttle, Lpg	1
▲	371718	(000000-)	Kit, Connector, Govnr	1

Fig. 28 - Gasoline EFI Breakdown, 371645



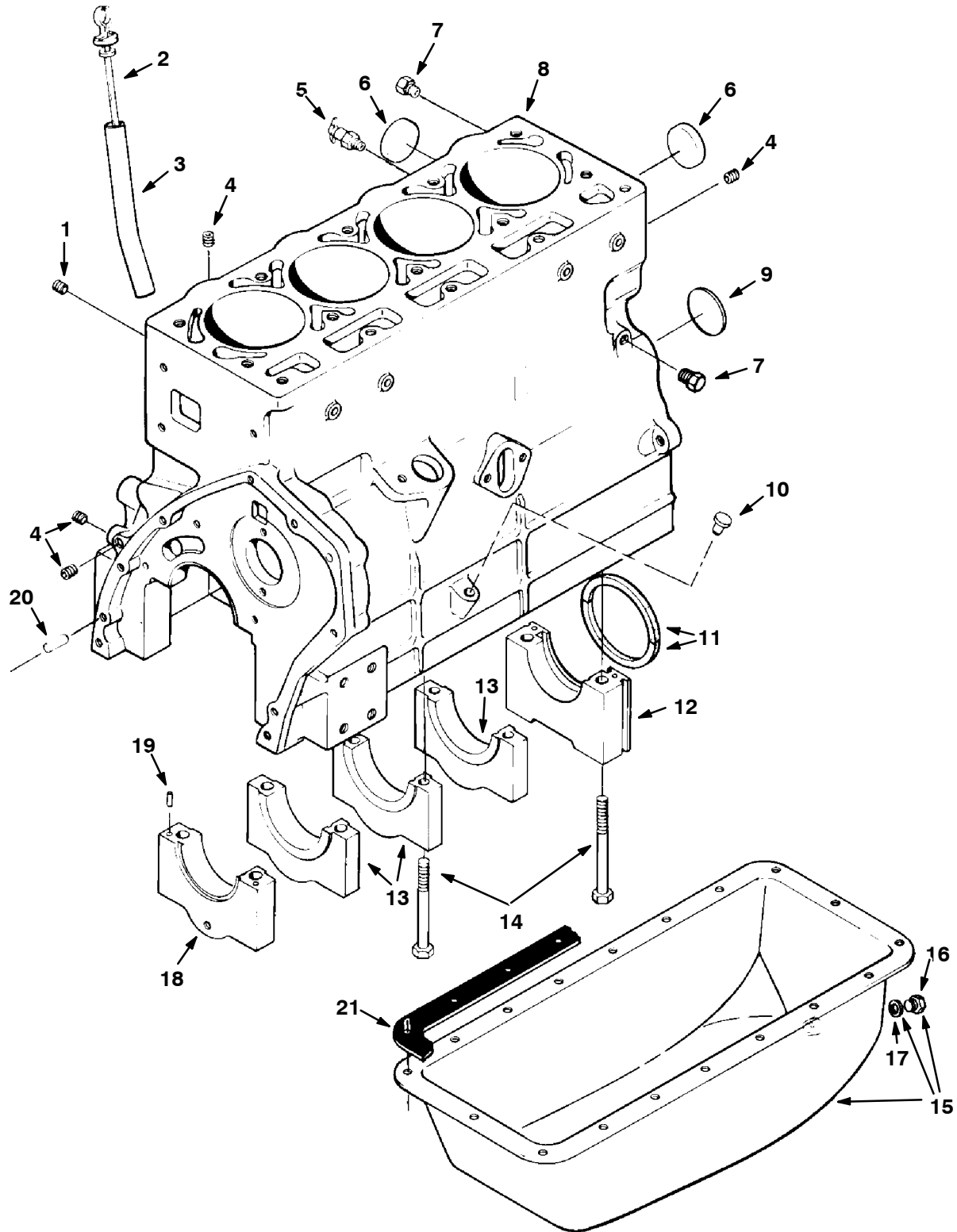
550, 1550, G

Ref.	Part No.	Serial Number	Description	Qty.	
▽	371645	(000000-) Housing Assy, Throttle, Gas, [With Ecu]	1	
▲	1	371659	(000000-) Kit, Ftg, Coolant, Gas	1
▲	2	371660	(000000-) Fitting, Coolant Plug	1
▲▽	3	371648	(000000-) Injector, Gas, W/ Top And Bottom Org	1
▲▲	4	371649	(000000-) Kit, Org, Injector And Reg, Gas	1
▲		371716	(000000-) Kit, Connector, Gas Injector	1
▲	5	371650	(000000-) Kit, Reg, Gas Press	1
▲	6	371651	(000000-) Plate, Injector Mtg, W/ Screw	1
▲	7	371652	(000000-) Fitting, Fuel Inlet, Gas	1
▲		371714	(000000-) Kit, Connector, Coolant Sensor	1
▲		371715	(000000-) Kit, Connector, Sensor, [lat]	1
▲	8	371653	(000000-) Sensor, Temp	1
▲	9	371654	(000000-) Sensor, Manifold Press	1
▲	10	371655	(000000-) Control, Electronic, Gas	1
▲	11	371656	(000000-) Plate, Mtg, W/ Screw, [Ecu], Gas	1
▲	12	371657	(000000-) Housing, Throttle, Gas	1
▲		371718	(000000-) Kit, Connector, Govnr	1

SECTION 11

Contents	Page
Fig. 1 - Engine Block Group	11-2
Fig. 2 - Cylinder Head Group	11-4
Fig. 3 - Camshaft Group	11-6
Fig. 4 - Crankshaft Group	11-8
Fig. 5 - Piston Group	11-9
Fig. 6 - Oil Pump Group	11-10
Fig. 7 - Gear Cover Group	11-11
Fig. 8 - Flywheel and Starter Group	11-12
Fig. 9 - Intake and Exhaust Manifold Group ..	11-13
Fig. 10 - Water Pump Group	11-14
Fig. 11 - Water Header and Thermostat Group	11-15
Fig. 12 - Carburetor and Controls Group	11-16
Fig. 13 - Oil Filter Group	11-17
Fig. 14 - Distributor and Fuel Pump Group ...	11-18

Fig. 1 - Engine Block Group



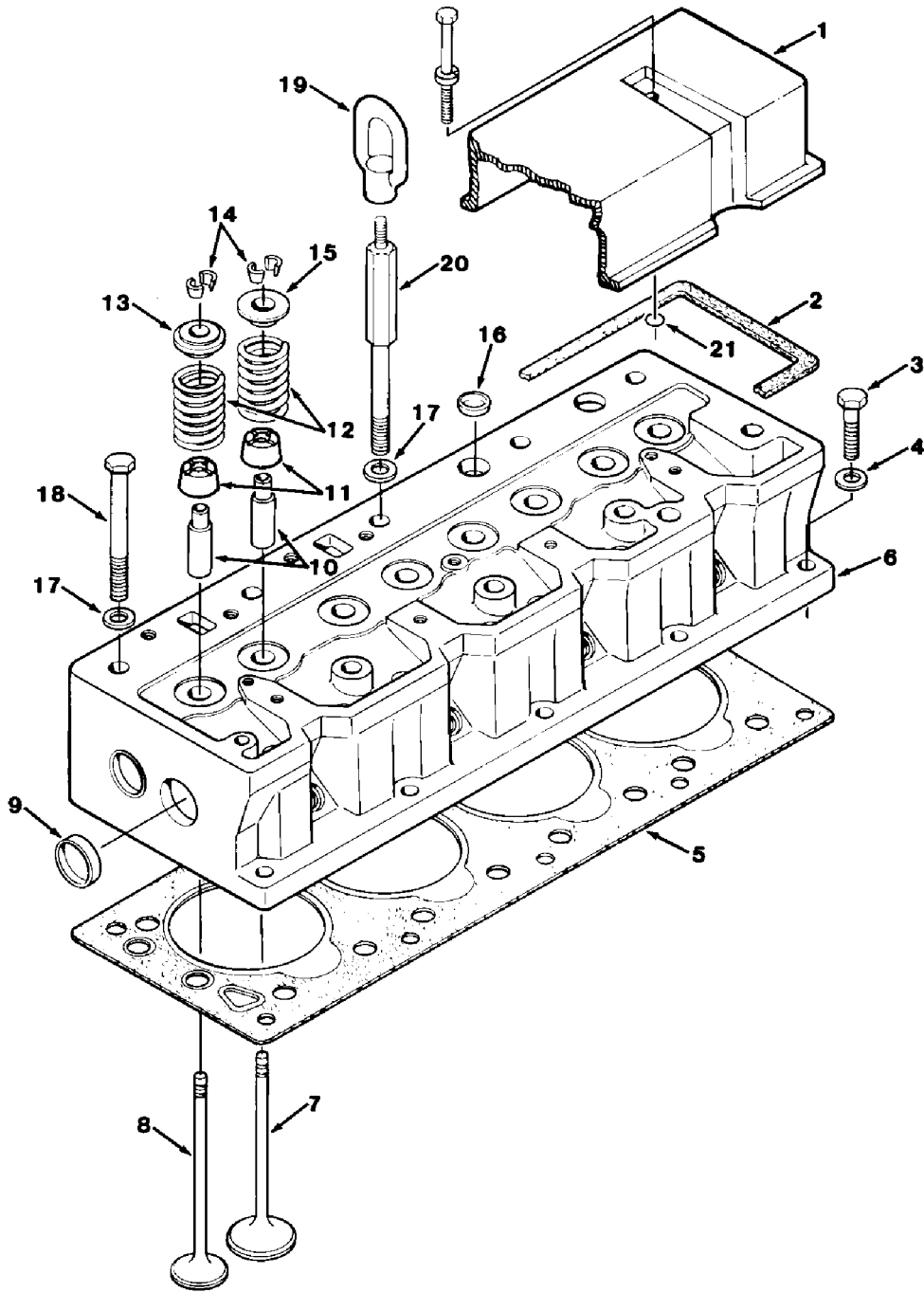
CONTINENTAL ENGINE BREAKDOWN, GASOLINE, LPG

01606 - 550, 1550, G, LP

Fig. 1 - Engine Block Group

Ref.	Part No.	Description	Qty.
1	393725	Plug, Crankcase	1
2	38404	Rod, Oil Gauge	1
3	52736	Tube, Oil Gauge	1
4	393726	Plug, Crankcase	5
5	51305	Cock, Drain	1
6	78517	Plug, Cup	5
7	393679	Plug	2
8	31945	Short Block Assembly, R, Includes: Block, Tappets, Camshaft, Crankshaft, Main Bearings, Bearing Caps, Pistons, Piston Pins, Piston Rings, Connecting Rods, Rod Bearings, Thrustplate, Cam Gear, Gear, Oil Pump, Oil Gauge Support, and Gasket Set	1
8	31944	Long Block Assembly, S, Includes: R Short Block Assembly Plus - Head, Guides, Valves and Associated Parts, Rocker Arm Shaft Assembly, Pushrods, Head Cover, Gear Cover, Oil Pan, Oil Filler Cap, and Gasket Set	1
9	38413	Plug, Expansion	1
10	393680	Plug, Crankcase	1
11	38408	Seal, Oil	2
12	393728	Cap and Filler Block, Rear Bearing	1
	38758	Gasket, Rear Bearing Cap	1
13	393683	Cap, Crankshaft Bearing	3
14	393684	Screw	10
15	393730	Oil Pan Assembly	1
▽	15 61711	Oil Pan Assembly	1
▲	16 38082	Plug, Drain	1
▲	17 388260	Washer, Drain Plug	1
18	393685	Cap, Crankshaft	1
19	393732	Dowel, Bearing Cap	4
20	393687	Pin, Dowel	2
21	38758	Gasket, Oil Pan, Form-in-Place	1

Fig. 2 - Cylinder Head Group



CONTINENTAL ENGINE BREAKDOWN, GASOLINE, LPG

01607 - 550, 1550, G, LP

Fig. 2 - Cylinder Head Group

Ref.	Part No.	Description	Qty.	
1	38397	Cover, Cylinder Head	1	
2	34876	Gasket, Head Cover	1	
3	52886	Screw	5	
4	37942	Washer, Plain	5	
5	38665	Gasket, Cylinder Head	1	
▽	6	38757	Head Assembly, Cylinder	1
▲	7	52726	Valve, Intake	4
▲	8	52727	Valve, Exhaust	4
▲		393733	Seat, Exhaust Valve	4
▲	9	61741	Plug, Cup	4
▲	10	16153	Guide, Valve Stem	8
▲	11	61794	Guard, Valve Stem Oil	8
▲	12	42116	Spring, Valve	8
▲	13	370842	Roto-Coil, Exhaust	4
▲	14	393695	Lock, Valve Spring Retainer	16
▲	15	370725	Retainer, Valve Spring	4
▲	16	77880	Plug, Cup	2
	17	52898	Washer, Plain	10
	18	38923	Screw	9
	19	393696	Eye, Lifting	1
	20	38923	Screw	1
	21	61725	O-Ring	3
		38774	Gasket Set	1

Fig. 3 - Camshaft Group

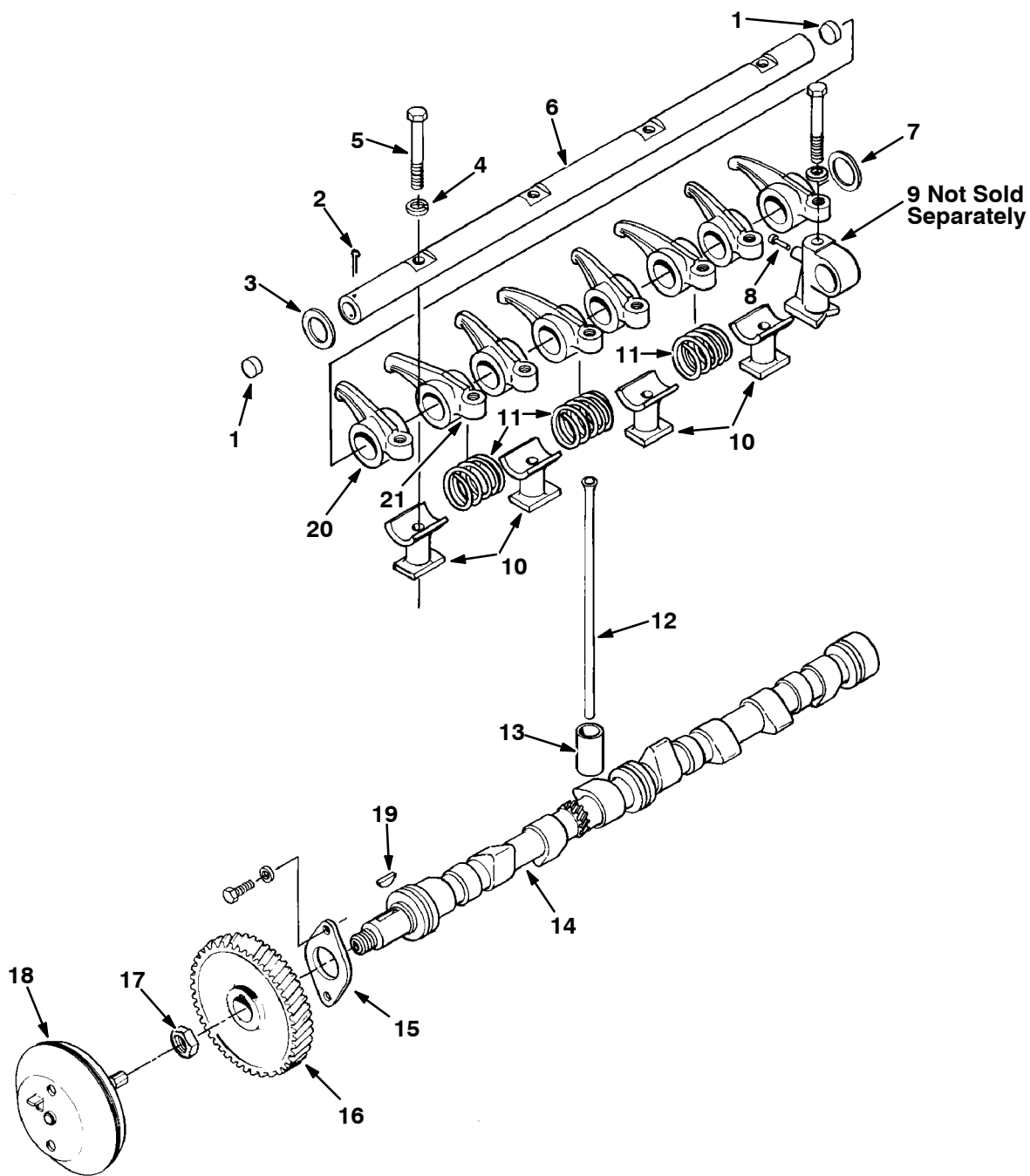
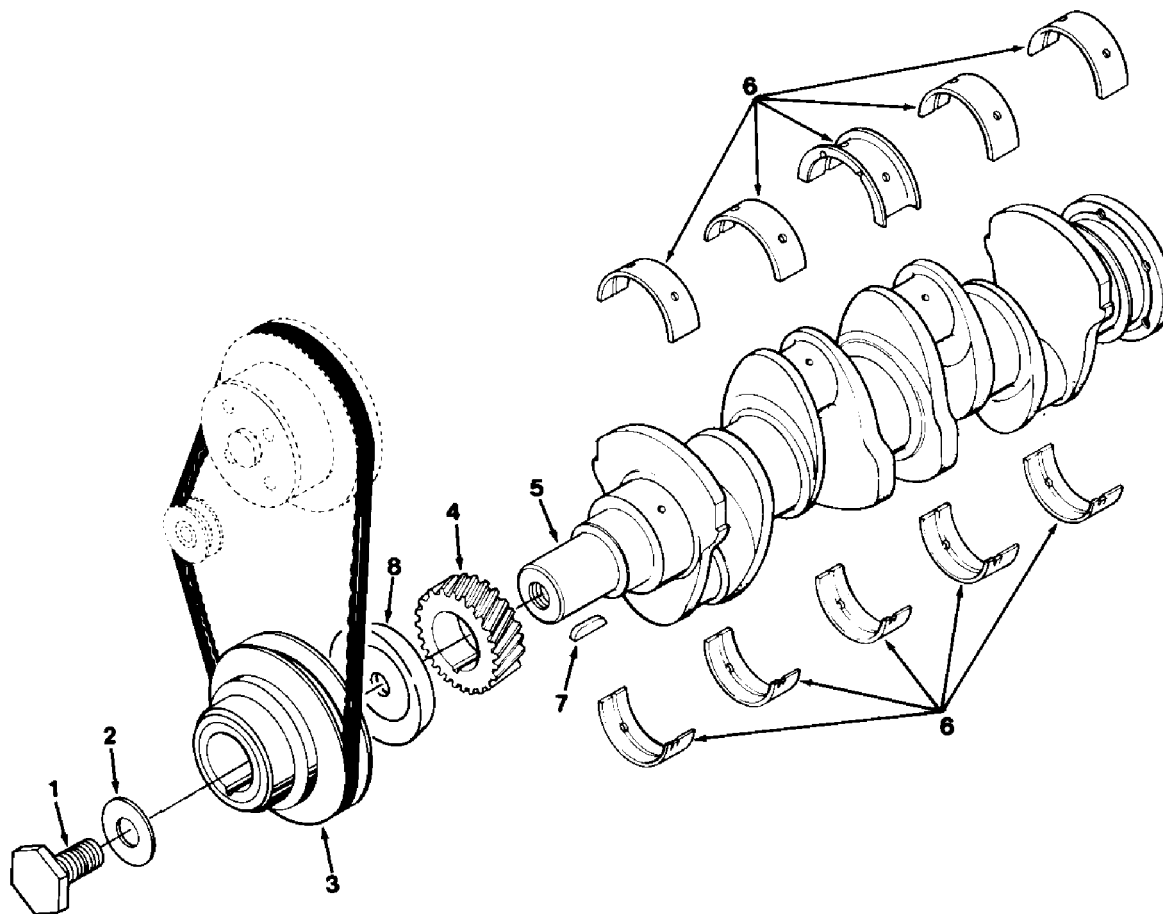


Fig. 3 - Camshaft Group

Ref.	Part No.	Description	Qty.
1	388078	Plug, Shaft Ends	2
2	393699	Pin, Cotter	2
3	393700	Washer, Flat	2
4	393701	Washer, Flat	5
5	388080	Screw	4
6	393734	Shaft, Rocker Arm	1
7	393735	Washer, Wavy	2
8	393736	Pin, Rear Support Top	1
9		Support, Rocker Arm Shaft, Rear (NOT AVAILABLE)	4
10	373702	Support, Rocker Arm Shaft	4
11	393703	Spring, Rocker Arm Shaft	3
12	370726	Rod, Push	8
13	52725	Tappet, Valve	8
14	52728	Camshaft	1
15	38753	Plate, Camshaft Thrust	1
16	393737	Gear, Camshaft	1
17	370843	Nut	1
18	53327	Governor Assembly	1
19	42337	Key	1
20	52730	Arm Assembly, Rocker, Exhaust	4
21	52734	Arm Assembly, Rocker, Intake	4

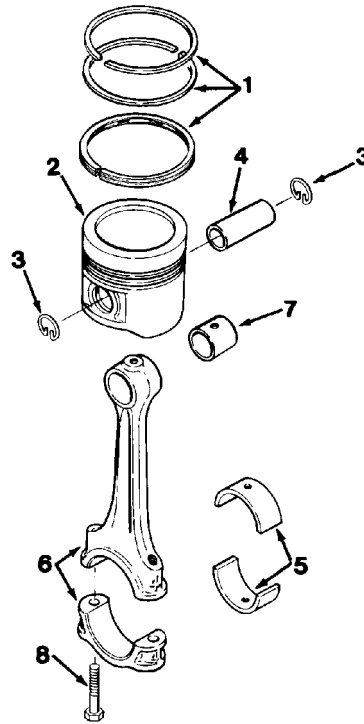
Fig. 4 - Crankshaft Group



09767 - 550, 1550, G, LP

Ref.	Part No.	Description	Qty.
1	388224	Screw, Crankshaft	1
2	393705	Washer, Plain	1
3	61736	Pulley, Crankshaft	1
4	370840	Gear, Crankshaft	1
5	42148	Crankshaft	1
6	12784	Bearing Kit, Crankshaft, Standard	1
6	52753	Bearing Kit, Crankshaft, 0.25 mm undersize	1
6	21782	Bearing Kit, Crankshaft, 0.50 mm undersize	1
6	61724	Bearing Kit, Crankshaft, 0.75 mm undersize	1
6	393707	Bearing Kit, Crankshaft, 1.00 mm undersize	1
7	61762	Key (Replaced by None)	1
8	61775	Slinger, Oil (Replaced by None)	1

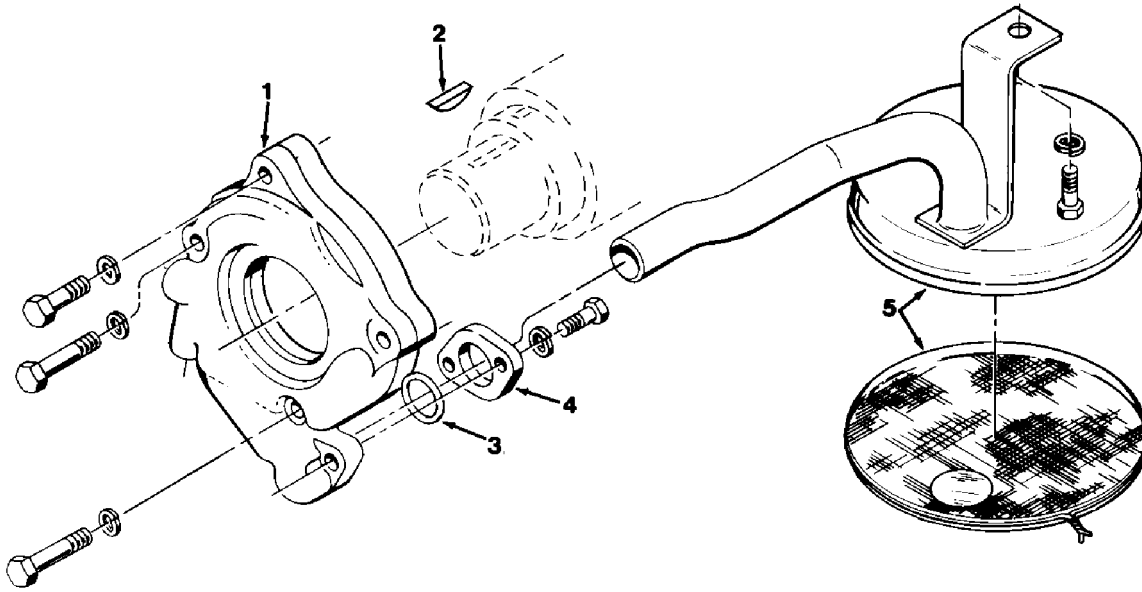
Fig. 5 - Piston Group



01610 - 550, 1550, G, LP

Ref.	Part No.	Description	Qty.	
	1	30065	Ring Kit, Re-Ring, Standard	4
	1	10117	Ring Kit, Re-Ring, 0.50 mm Oversize	4
	1	38784	Ring Kit, Re-Ring, 0.75 mm Oversize	4
	1	393742	Ring Kit, Re-Ring, 1.00 mm Oversize	4
	2	77891	Piston Assembly, Standard	4
	2	38840	Piston Assembly, 0.50 mm Oversize	4
	2	38850	Piston Assembly, 0.75 mm Oversize	4
▽	2	38848	Piston Assembly, 1.00 mm Oversize	4
▲	3	38572	Ring, Retaining	2
▲	4	52720	Pin, Piston	1
	5	38916	Bearing, Connecting Rod, Standard	4
	5	38787	Bearing, Connecting Rod, 0.25 mm undersize	4
	5	393744	Bearing, Connecting Rod, 0.50 mm undersize	4
	5	393713	Bearing, Connecting Rod, 0.75 mm undersize	4
	5	38847	Bearing, Connecting Rod, 1.00 mmundersize	4
▽	6	38917	Rod Assembly, Connecting	4
▲	7	52724	Bushing, Piston Pin	4
▲	8	393714	Bolt, Connecting Rod	8

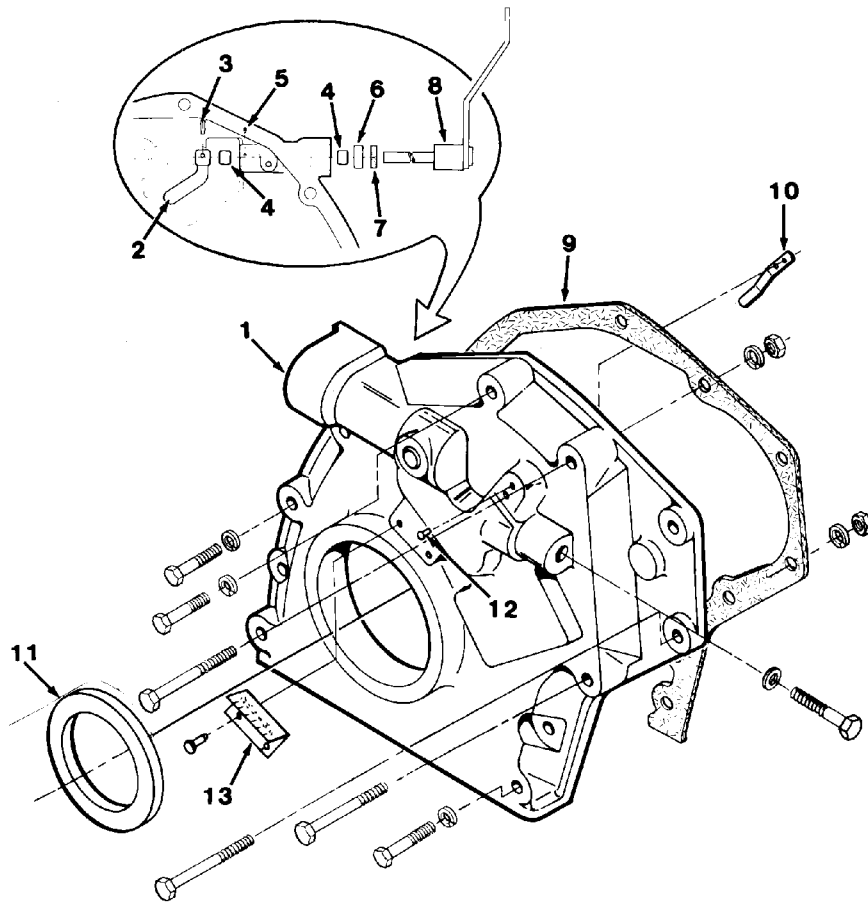
Fig. 6 - Oil Pump Group



01611 - 550, 1550, G, LP

Ref.	Part No.	Description	Qty.
1	38920	Pump, Oil	1
2	61749	Key, Woodruff	1
3	52764	O-Ring	1
4	393747	Adapter, Inlet Tube	1
5	393748	Tube Assembly, Oil Pump Inlet	1

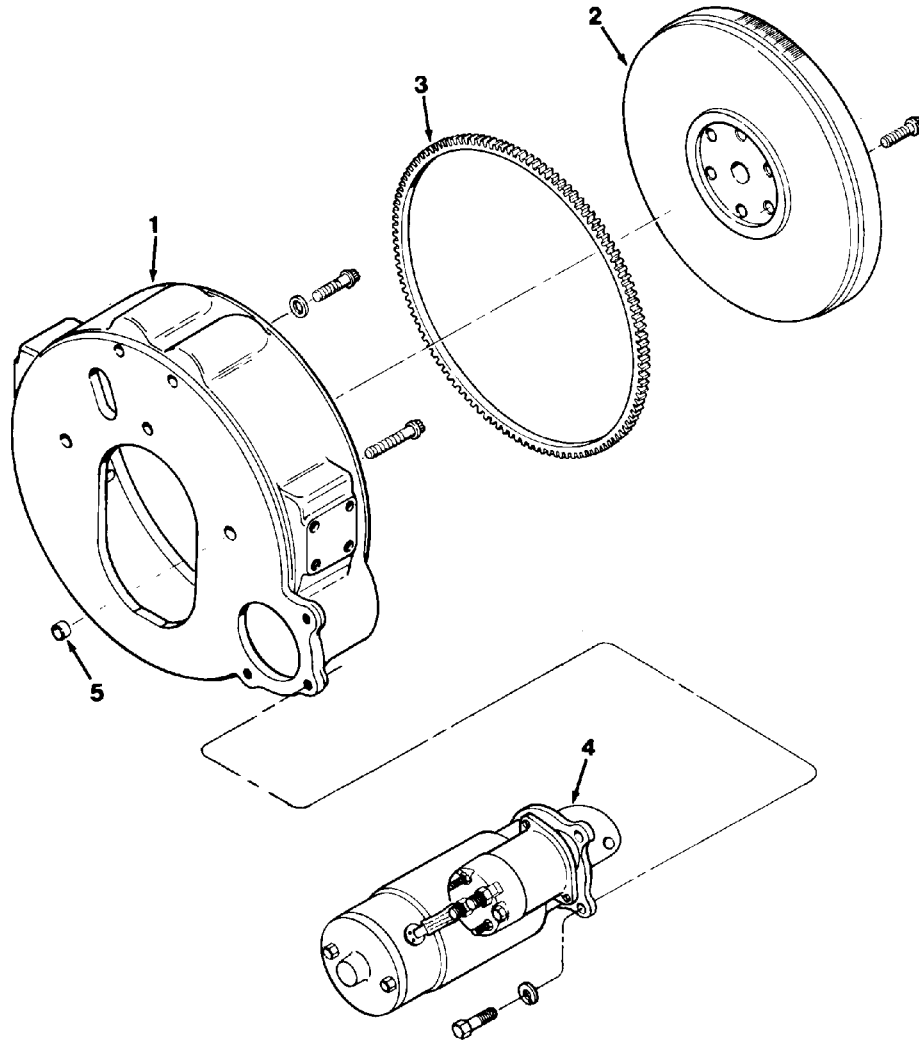
Fig. 7 - Gear Cover Group



01612 - 550, 1550, G, LP

Ref.	Part No.	Description	Qty.
▽	1 52721	Cover Assembly, Gear	1
▲	2 53304	Arm, Rocker	1
▲	3 61812	Pin, Groove	1
▲	4 53303	Bearing, Rocker Shaft	2
▲	5 52851	Pin, Groove	1
▲	6 52481	Seal, Shaft Oil	1
▲	7 53321	Seal, Shaft	1
▲	8 393749	Lever and Shaft Assembly, Governor, Gasoline	1
▲	8 393750	Lever and Shaft Assembly, Governor, LPG	1
▲	9 38381	Gasket, Gear Cover	1
▲	10 52741	Spring, Governor Bumper	1
▲	11 38416	Seal, Oil	1
▲	12 393751	Rivet	2
	13 393717	Pointer, Engine Timing	1
	38855	Gasket Set, Front	1

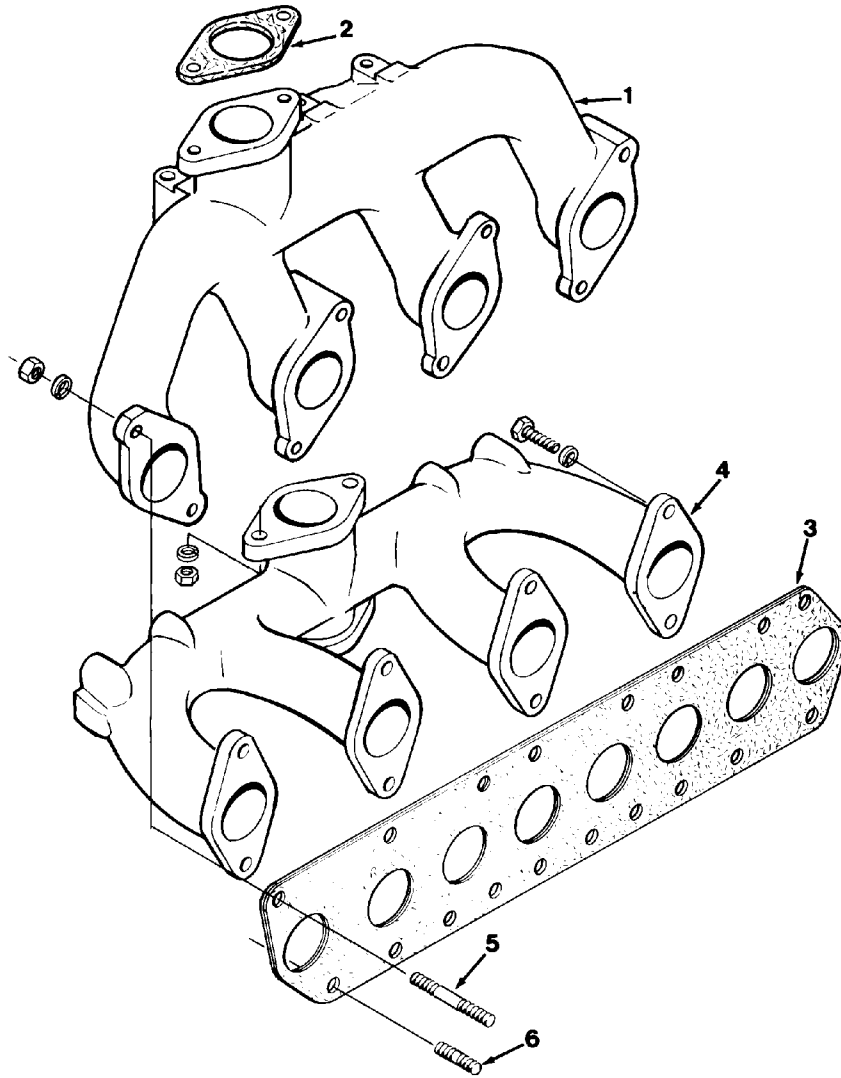
Fig. 8 - Flywheel and Starter Group



01613 - 550, 1550, G, LP

	Ref.	Part No.	Description	Qty.
	1	16143	Housing, Flywheel	1
▽	2	16851	Flywheel	1
▲	3	16852	Ring Gear	1
	4	16865	Starter	1
	5	393720	Dowel, Ring	2

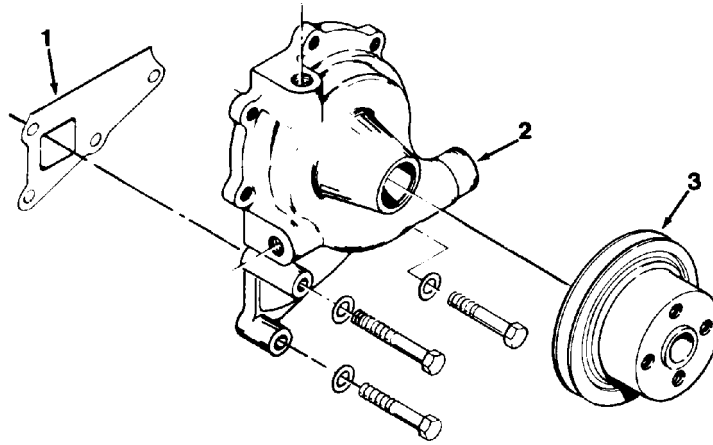
Fig. 9 - Intake and Exhaust Manifold Group



09761 - 550, 1550, G, LP

Ref.	Part No.	Description	Qty.
1	38420	Manifold, Exhaust	1
▽	34640	Gasket Set, Manifold	1
▲	2 34796	Gasket, Manifold	1
▲	3 38843	Gasket, Manifold	1
4	38421	Manifold, Intake	1
5	52888	Stud	2
6	38924	Stud	6

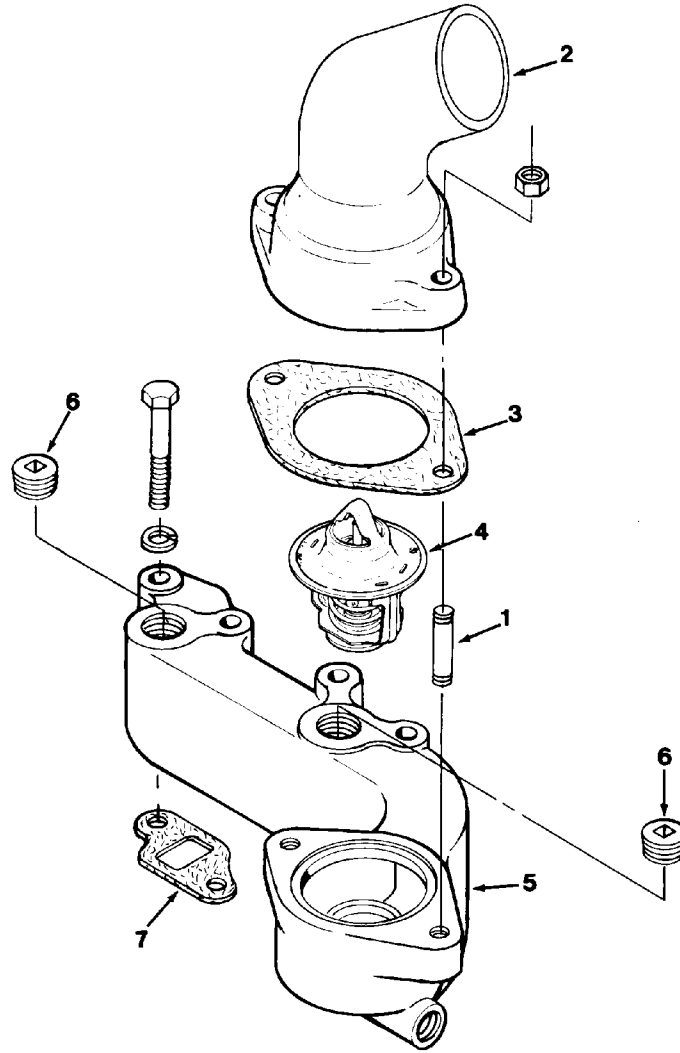
Fig. 10 - Water Pump Group



01615 - 550, 1550, G, LP

	Ref.	Part No.	Description	Qty.
	1	34873	Gasket, Water Pump to Crankcase	1
▽	2	34429	Pump, Water	1
▲		38788	Repair Kit, Water Pump	1
▲	3	38918	Pulley, Water Pump	1

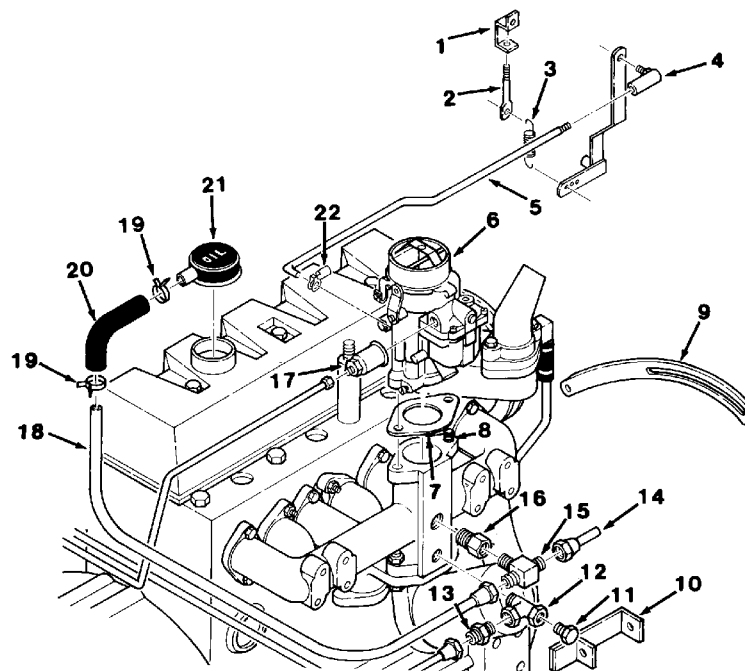
Fig. 11 - Water Header and Thermostat Group



01616 - 550, 1550, G, LP

Ref.	Part No.	Description	Qty.
1	393721	Stud	2
2	38401	Elbow, Water Outlet	1
▽	34752	Thermostat and Gasket	1
▲	53988-12	Gasket, Elbow	1
▲	53988-13	Thermostat	1
5	393722	Header, Water Outlet	1
6		Plug (obsolete)	2
7	30035	Gasket, Header	2

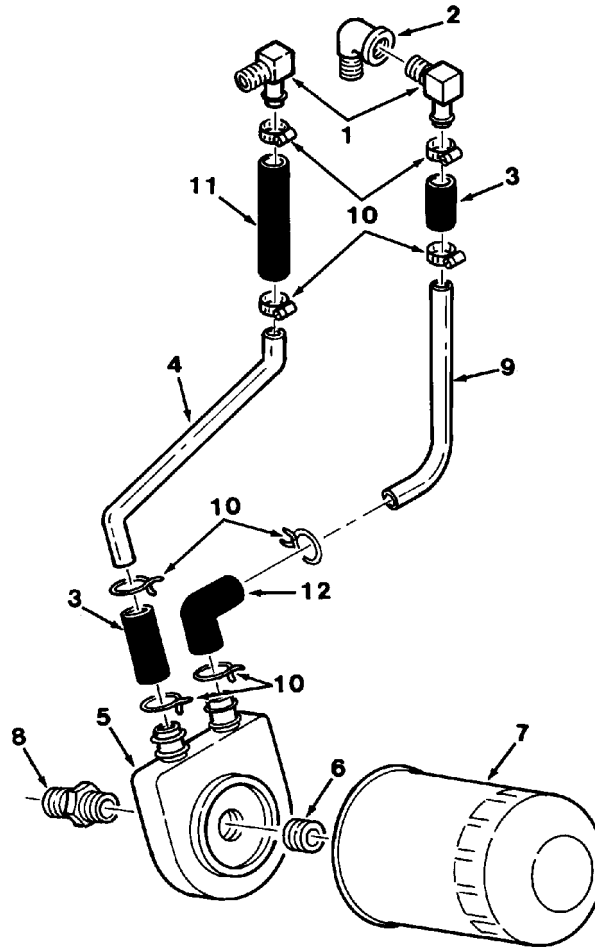
Fig. 12 - Carburetor and Controls Group



01618 - 550, 1550, G, LP

Ref.	Part No.	Description	Qty.	
1	52748	Anchor, Governor Spring	1	
2	370706	Screw, Governor Spring	1	
3	37934	Spring, Governor	1	
4	393753	Balljoint	1	
5	52751	Rod, Control	1	
▽	34798	Carburetor and Gasket, LPG	1	
▲	6	34797	Carburetor, LPG	1
▲	7	38010	Gasket, Carburetor	1
▲	02742	Carburator Repair Kit	1	
▽	65948	Carburetor and Gasket, Gasoline	1	
▲	65949	Carburetor, Gasoline	1	
▲	65950	Gasket, Carburetor	1	
	8	52887	Stud	2
	9	30036	Strap, Adjusting, Alternator	1
	10	393754	Bracket, Alternator	1
	11	393679	Plug	1
	12	393755	Tee	1
	13	393756	Connector	1
	14	52722	Adapter	1
	15	38859	Tee	1
	16	52872	Adapter	1
	17	34749	Filter, Fuel, Gasoline	1
	18	52723	Tube, PCV	1
	19	52765	Clamp	2
	20	52613	Hose	1
	21	38403	Cap, Oil Filler	1
	22	393757	Clip, Rod End	1

Fig. 13 - Oil Filter Group

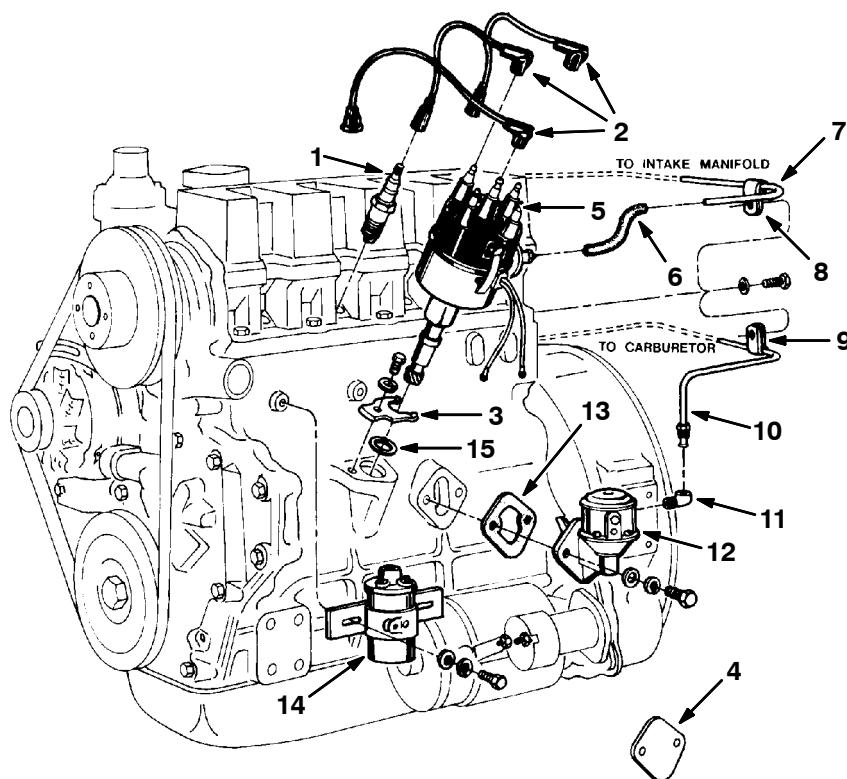


09772 - 550, 1550, G, LP

Ref.	Part No.	Description	Qty.
1	47388	Elbow, Water Header	2
2	393724	Elbow, Water Pump	1
3	38856	Hose, Oil Cooler	2
4	38409	Tube, Oil Cooler	1
5	38405	Cooler, Oil	1
6	38402	Adapter, Oil Filter	1
7	16853	Element, Oil Filter	1
8	77895	Connector, Oil Cooler	1
9	38406	Tube, Oil Cooler	1
10	52766	Clamp, Hose	8
11	38857	Hose, Oil Cooler	1
12	38919	Hose, Oil Cooler	1

CONTINENTAL ENGINE BREAKDOWN, GASOLINE, LPG

Fig. 14 - Distributor and Fuel Pump Group



01617 - 1550, G, LP

Ref.	Part No.	Description	Qty.	
1	34726	Spark Plug, Gasoline	4	
1	34297	Spark Plug, LPG	4	
▽	2	34727	Kit, Wire, Ignition	1
3	393765	Clamp, Distributor	1	
4	47675	Cover, Fuel Pump Hole, LPG	1	
▽	5	38410	① Distributor Assembly, (replaced by 09892)	1
▲		34193	① Cap	1
▲		34189	① Rotor	1
▽	5	38991	② Distributor Assembly	1
▲		09819	② Cap and Gasket	1
▲		09837	② Rotor	1
▲		09852	② Cover, Dust	1
▲		09910	② Cap, Gasket	1
▲		09861	② Magnet	1
▲		09867	② Module	1
▲			② Weights Set, Advance	1
▲		09890	② Spring Set, Advance	1
▲		09891	② Vacuum Advance	1
▲		09857	② Gear Kit	1
6	370707	② Hose, Vacuum	1	
7	370705	Tube, Vacuum	1	
8	38789	Clip	1	
9	393760	Clip	1	
10	38550	⑤ Tube, Fuel (for Engines 34920/34930) (Replaced by none)	1	
10	33855	⑥ Tube, Fuel (for Engines 34920/34930)	1	

CONTINENTAL ENGINE BREAKDOWN, GASOLINE, LPG

Fig. 14 - Distributor and Fuel Pump Group

Ref.	Part No.	Description	Qty.
10	393761	Tube, Fuel (for Engines 16860/16870)	1
11	393762	Elbow	1
	33843	[5] Pump Replacement Kit	1
▽	33848	[6] Pump and Gasket, Fuel	1
▲	12 33849	Pump, Fuel	1
▲	13 47680	Gasket, Fuel Pump	1
	14 38992	[3] Coil Assembly, Ignition (Replaced by 79092)	1
	79092	[3] Coil Replacement Kit	1
	79091	[4] Coil	1
	393763	[3] Bracket, Coil (Replaced by 79092)	1
	09877	[3] Restistor (Replaced by 79092)	1
	393764	[3] Bracket, Resistor (Replaced by 79092)	1
15	52618	Gasket, Distributor	1
	33850	[6] Plate, Adapter, Pump	1

- [1] Teledyne Continental Engine Serial Number (000000-302530)
- [2] Teledyne Continental Engine Serial Number (302531-)
- [3] Teledyne Continental Engine Serial Number (302531- xxxxxx)
- [4] Teledyne Continental Engine Serial Number (xxxxxx-)
- [5] Teledyne Continental Engine Serial Number (000000-000472)
- [6] Teledyne Continental Engine Serial Number (000473-)

SECTION 12

Contents	Page
Fig. 1 - Cylinder Head, Valves Group	12-2
Fig. 2 - Distributor and Ignition Group	12-4
Fig. 3 - Engine Block and Piston Group	12-6
Fig. 4 - Oil Pump and Oil Pan Group	12-8
Fig. 5 - Crankshaft Group	12-10
Fig. 6 - Camshaft and Water Pump Group . . .	12-12

Fig. 1 - Cylinder Head, Valves Group

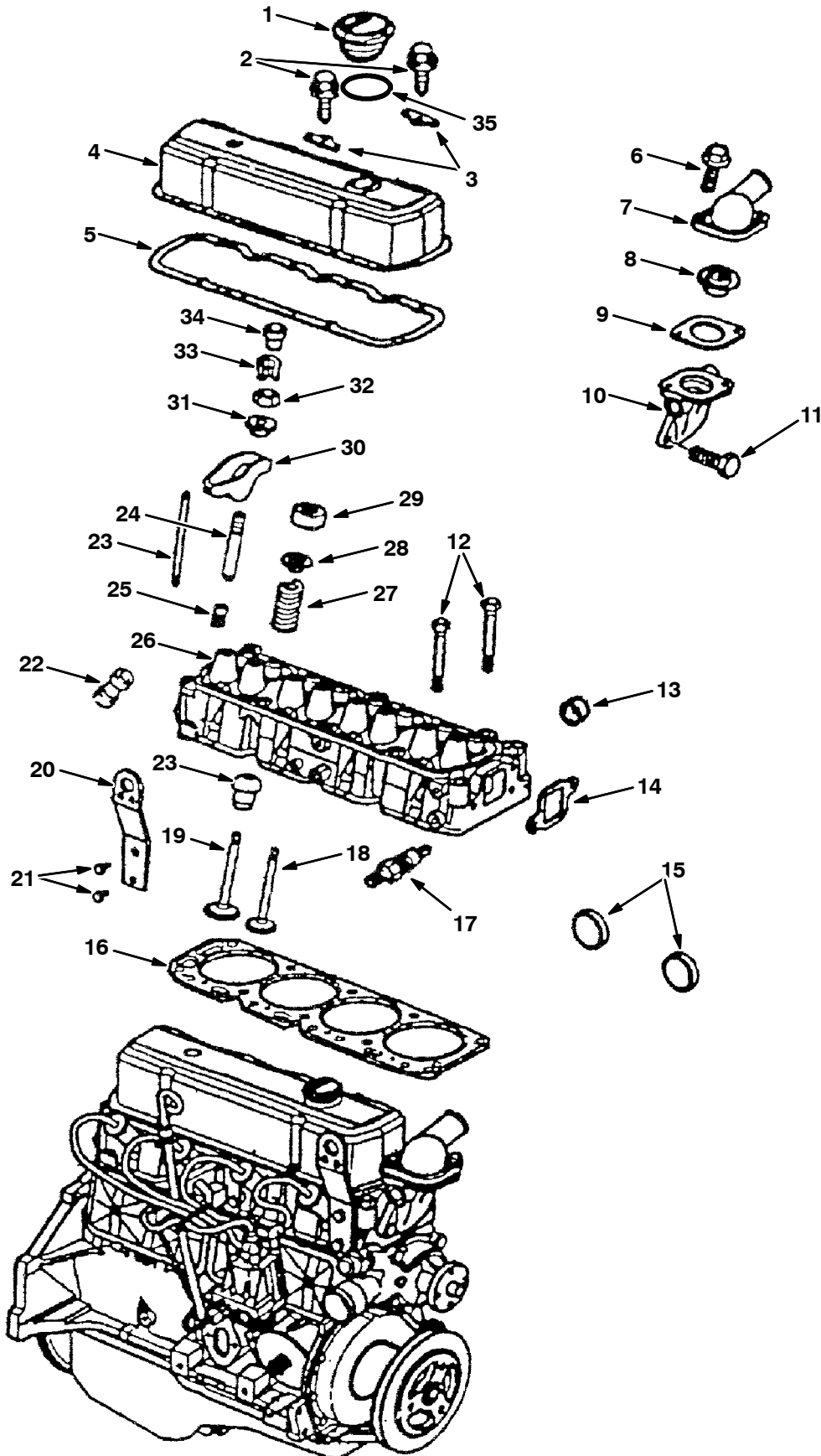


Fig. 1 - Cylinder Head, Valves Group

Ref.	Part No.	Description	Qty.
1	393894	Cap, Oil Filler	1
2	393824	Bolt	-
3	393895	Reinforcement	-
4	393896	Cover	1
5	393897	Gasket	-
6	393898	Bolt	3
7	393899	Outlet	1
8	393900	Thermostat	1
9	393901	Gasket	1
10	393902	Housing	1
11	393898	Bolt	3
12	393903	Bolt	-
13	393904	Plug	2
14	393917	Gasket	1
15	393918	Plug	-
16	393933	Gasket	1
17	393934	Spark Plug	4
18	393935	Valve, Exhaust	4
19	393936	Valve, Intake	4
20	393937	Bracket	1
21	393938	Bolt	8
22	393951	Lifter	8
23	393952	Rod	8
24	393953	Stud, .003" O.S.	8
24	393954	Stud, .013" O.S.	8
25	393955	Sealer	8
26	393956	Head	1
27	393957	Spring	8
28	393958	Cap, Valve Spring	8
29	393959	Shield	12
30	393960	Arm Kit	8
31	393961	Ball	8
32	393962	Nut	8
33	393963	Key	16
34	393964	Rotator	4
35	393993	Grommet, Breather, Oil	1

Fig. 2 - Distributor and Ignition Group

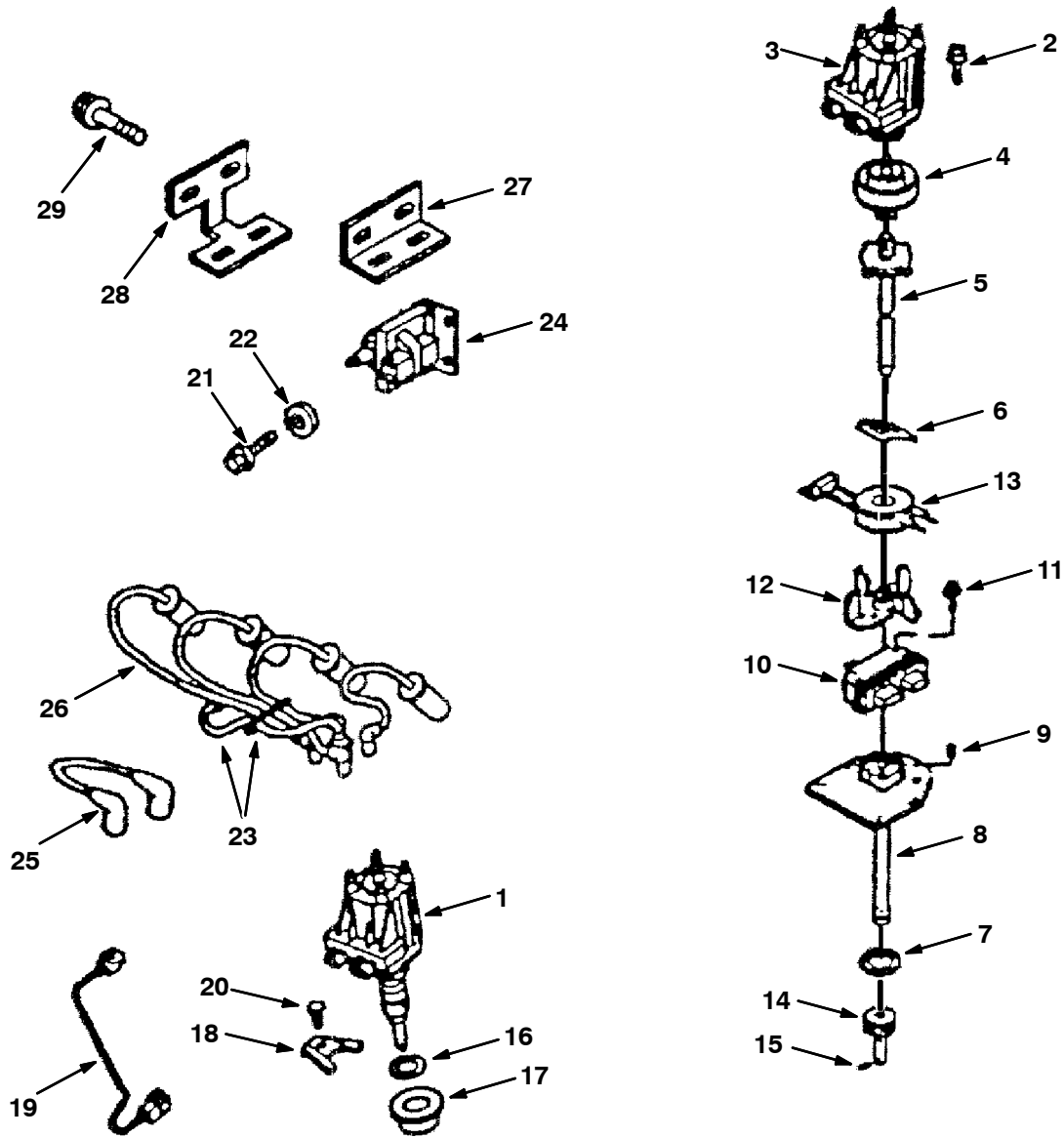


Fig. 2 - Distributor and Ignition Group

	Ref.	Part No.	Description	Qty.
▽	1	393939	Distributor	1
▲	2	393919	Bolt	2
▲	3	393920	Cap, Distributor	1
▲	4	393921	Rotor	1
▲	5	393922	Shaft	1
▲	6	393923	Retainer	1
▲	7	393924	Sealer	1
▲	8	393925	Housing	1
▲	9	393926	Pin	1
▲	10	393927	Module	1
▲	11	393928	Bolt	2
▲	12	393929	Pole Piece	1
▲	13	393930	Coil	1
▲	14	393931	Gear	1
▲	15	393932	Pin	1
	16	393940	Gasket	1
	17	393941	Washer	1
	18	393942	Clamp	1
	19	393943	Wire	1
	20	393898	Bolt	3
	21	393945	Bolt, (HFH3/8-16x062 280 POR)	2
	22	393946	Washer	2
	23	393947	Retainer	-
	24	393948	Coil	1
	25	393949	Wire	1
	26	393950	Spark Plug Wires	1
	27	393965	Bracket, Top	1
	28	393966	Bracket, Bottom	1
	29	393967	Bolt	-

Fig. 3 - Engine Block and Piston Group

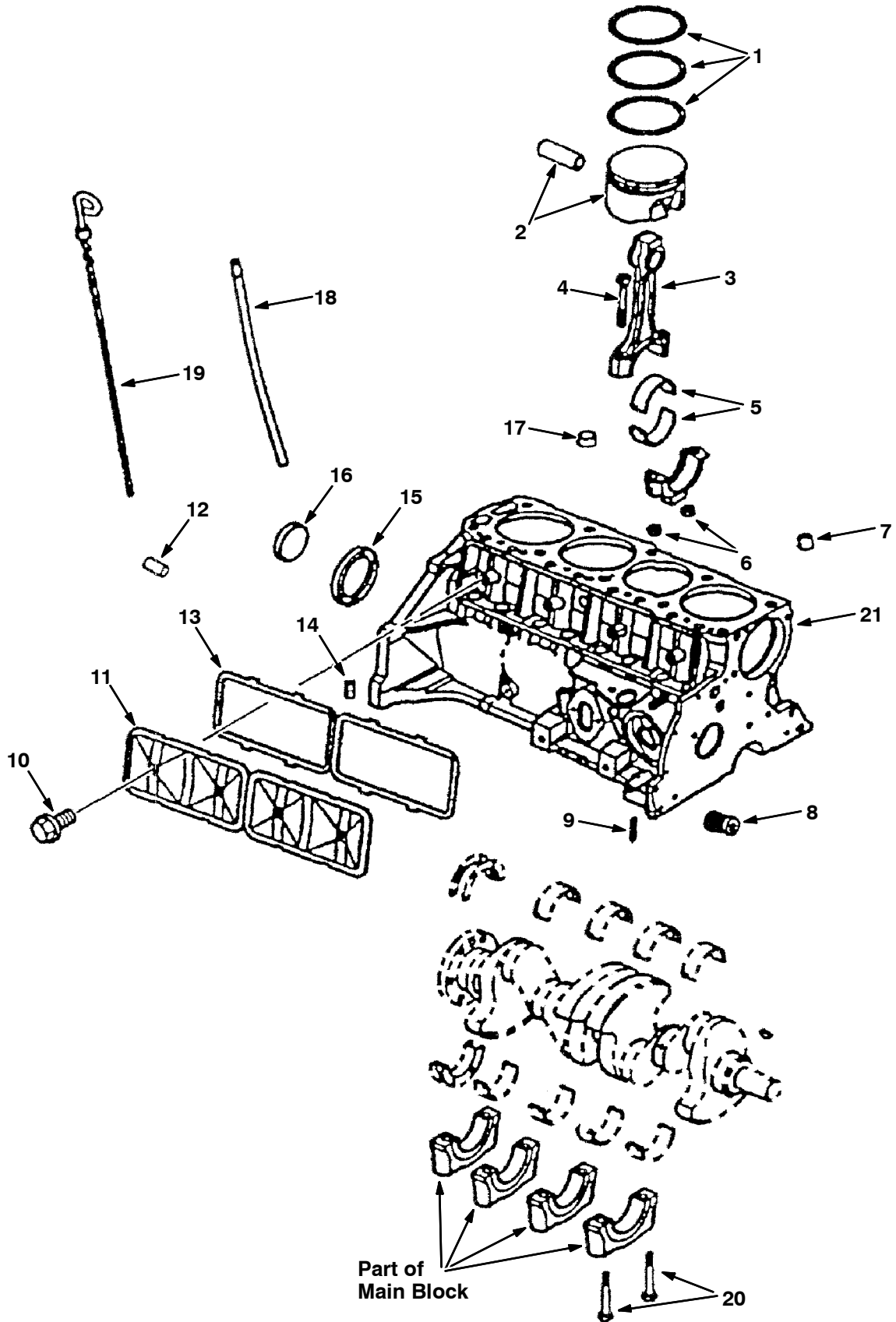


Fig. 3 - Engine Block and Piston Group

Ref.	Part No.	Description	Qty.
1	393806	Ring Kit, Std	4
1	393807	Ring Kit, .030" O.S.	4
2	393808	Piston, STD	4
2	393809	Piston, Hi-limit	4
2	393810	Piston, .020" O.S.	4
3	393811	Conn Rod	4
4	393812	Bolt	8
5	393813	Bearing Kit, Std	4
5	393814	Bearing Kit, .001 U.S.	4
6	393815	Nut, Conn Rod	8
7	393816	Bearing Kit	1
8	393832	Valve	1
9	393833	Pin	8
10	393882	Bolt	4
11	393883	Cover	1
12	393884	Pin	2
13	393662	Sealer (RTV 3.35 OZ Tube)	-
13	393663	Sealer (RTV 5.0 OZ Tube)	-
14	393886	Plug, Oil, .38-18 X .42	1
15	393888	Plug, Main, Rear	1
16	393889	Plug, Core, Coolant	-
17	393890	Plug, Block, Eng	1
18	393891	Tube	1
19	372251	Dipstick	1
20	393872	Bolt	10
21	393887	Engine, Partial (Includes block, pistons, rods, crankshaft, bearings, rear seal gasket)	1

Fig. 4 - Oil Pump and Oil Pan Group

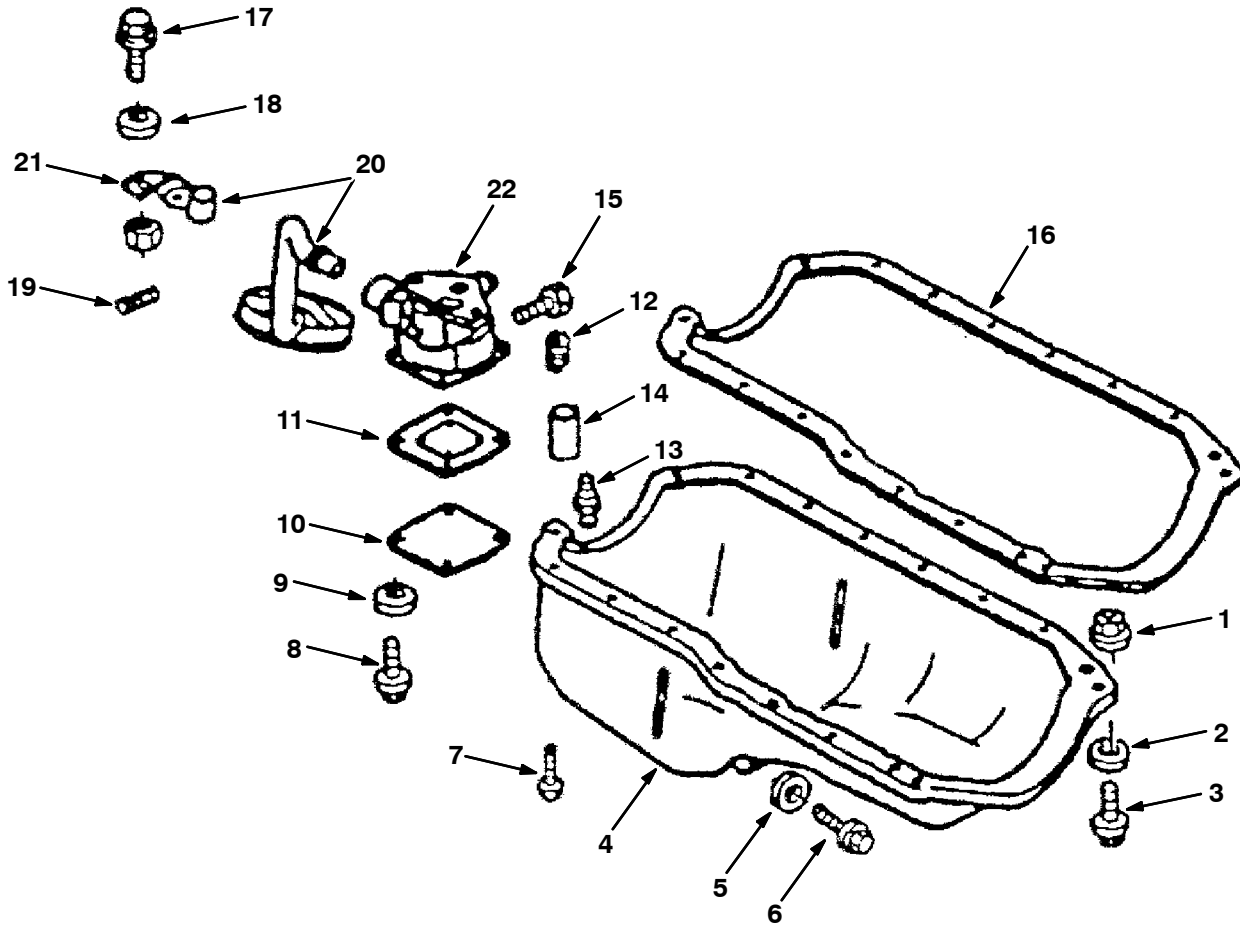


Fig. 4 - Oil Pump and Oil Pan Group

	Ref.	Part No.	Description	Qty.
	1	393848	Nut	-
	2	393849	Washer	-
	3	393850	Bolt	-
▽	4	393853	Oil Pan	1
▲	5	393852	Gasket	1
▲	6	393851	Plug	1
	7	393824	Bolt (1/4-20x1/2)	2
	7	393850	Bolt (1/4-20x.62)	2
	7	393854	Bolt (5/16-18x5/8)	12
	8	393855	Screw	4
	9	393849	Washer	4
	10	393856	Cover	1
	11	393857	Gasket	1
	12	393858	Spring	1
	13	393859	Plug	1
	14	393860	Valve	1
	15	393861	Bolt	3
	16	393862	Gasket	1
	17	393867	Bolt	-
	18	393868	Washer	-
	19	393869	Pin	1
	20	393871	Screen, w/Tube	1
▽	20	393870	Screen, w/Suction Pipe	1
▲	21	393865	Bracket	1
	22	393863	Pump	1

Fig. 5 - Crankshaft Group

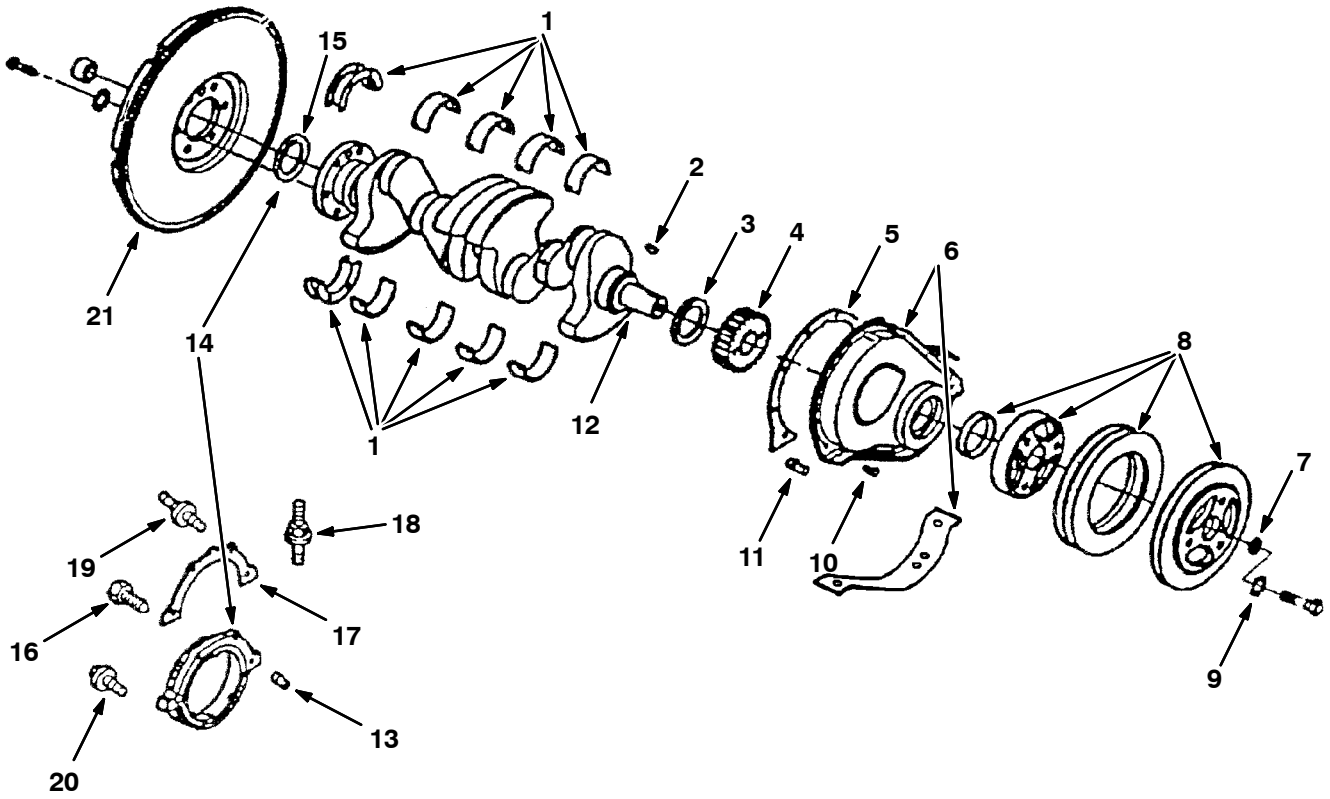
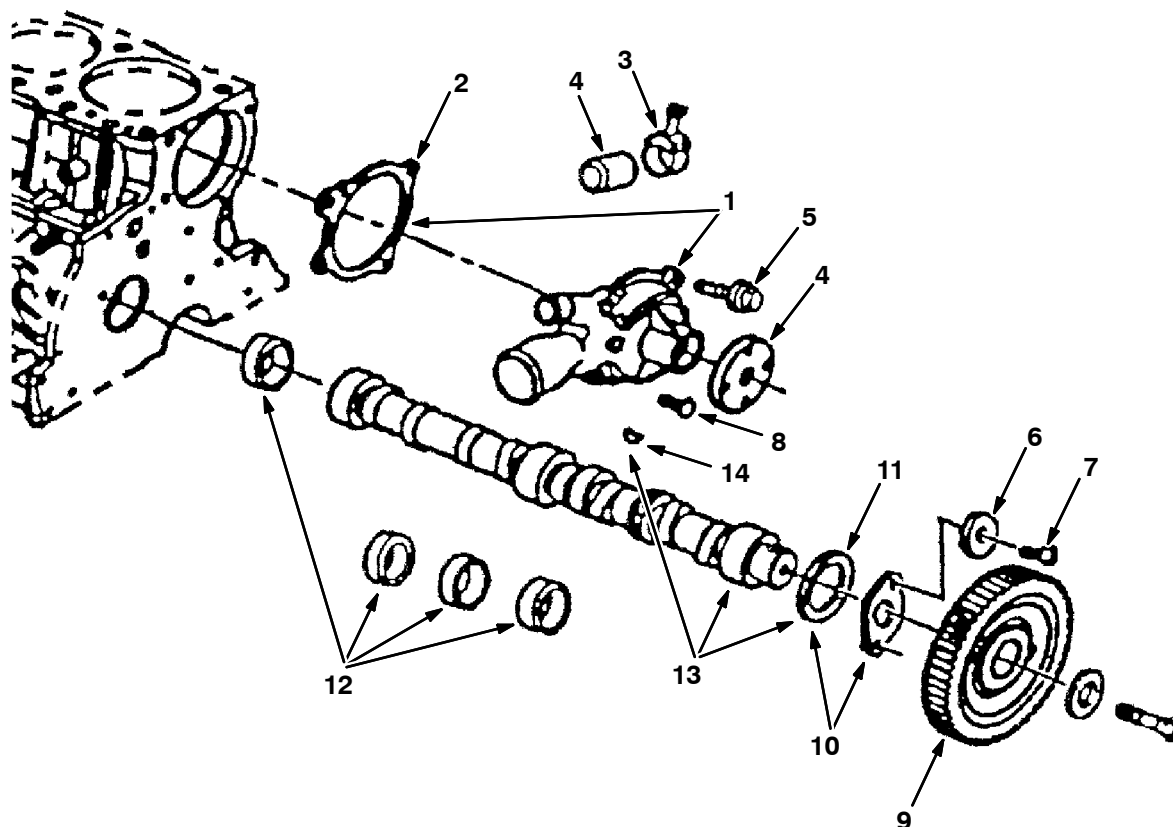


Fig. 5 - Crankshaft Group

Ref.	Part No.	Description	Qty.
	1 393837	Bearing Kit, Std #1, 2, 3, 4	4
	1 393838	Bearing Kit, .001" #1, 2, 3, 4	4
	1 393839	Bearing Kit, .010" #1, 2, 3, 4	1
	1 393840	Bearing Kit, .020" #1, 2, 3, 4	1
	1 393841	Bearing Kit, .030" #1, 2, 3, 4	1
	1 393836	Bearing Kit, Std #5	4
	1 393834	Bearing Kit, .001" #5	4
	1 393835	Bearing Kit, .025" #5	4
	2 393826	Key	1
	3 393842	Seal	1
	4 393843	Gear	1
	5 393844	Gasket	1
▽	6 393845	Cover	1
▲	7 393842	Seal	1
	8 393846	Balancer	1
	9 393847	Washer	6
	10 393824	Bolt	8
	11 393864	Nozzle	1
	12 393866	Crankshaft	1
	13 393873	Pin	1
▽	14 393874	Housing	1
▲	15 393880	Seal	1
	16 393876	Bolt	-
	17 393877	Gasket	1
	18 393878	Stud	1
	19 393879	Stud	2
	20 393875	Bolt	-
	21 393881	Gear	1

Fig. 6 - Camshaft and Water Pump Group



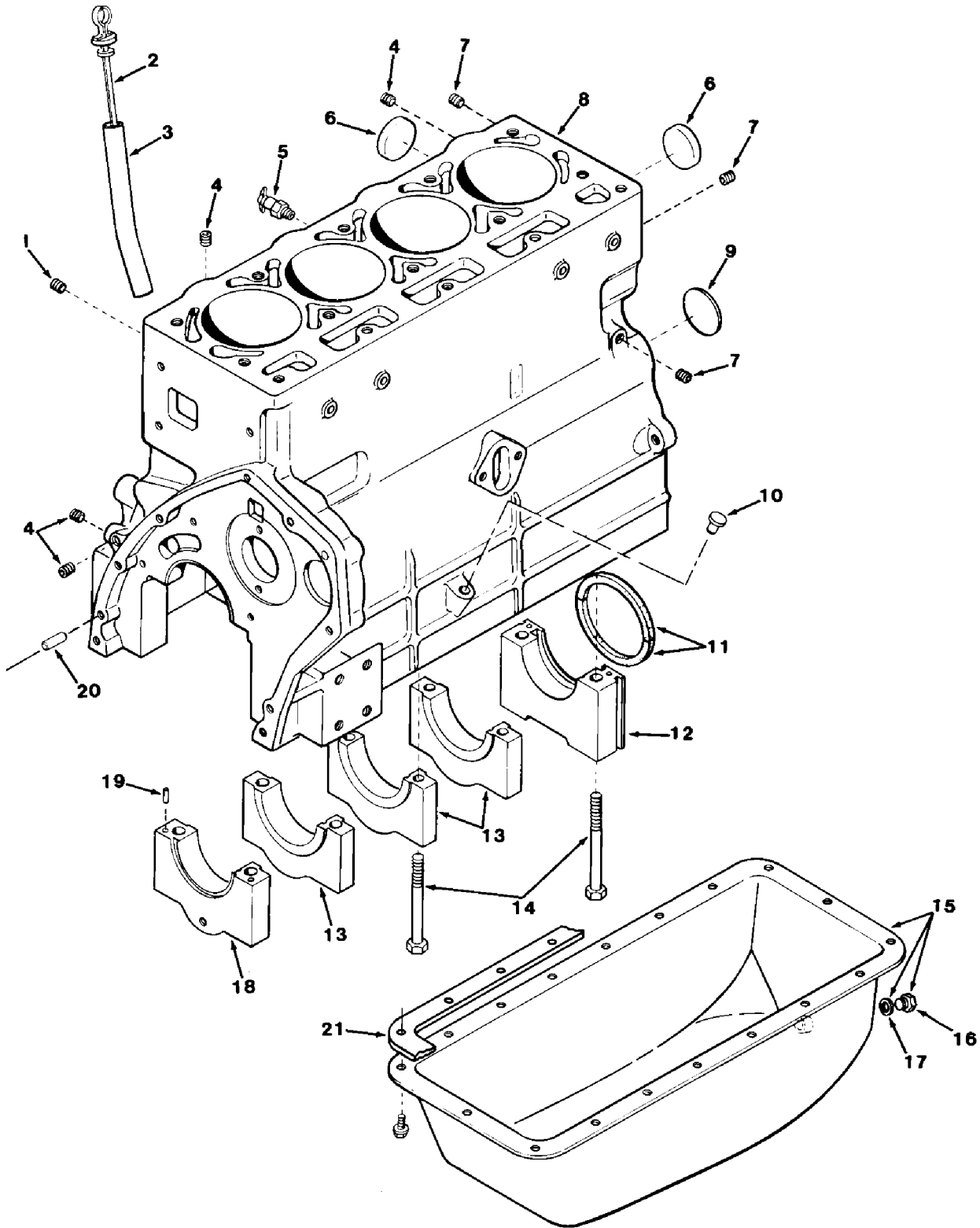
G, LP

	Ref.	Part No.	Description	Qty.
▽	1	393820	Water Pump	1
▲	2	393817	Gasket	1
	4	393818	Cap	1
	3	393819	Clamp	1
	5	393821	Bolt	1
	6	393822	Washer	1
	7	393823	Bolt (1/4-20x1/12 Hex)	1
	7	393824	Bolt (1/4-20x1/12)	3
	8	393825	Bolt (5/16-18x1.5 Hex)	2
	9	393827	Gear	1
▽	10	393828	Plate Kit	1
▲	11	393829	Ring	3
	12	393830	Bearing Kit	1
▽	13	393831	Camshaft	2
▲	14	393826	Key	1

SECTION 13

Contents	Page
Fig. 1 - Engine Block Group	13-2
Fig. 2 - Fuel System Group	13-4
Fig. 3 - Cylinder Head Group	13-6
Fig. 4 - Camshaft Group	13-8
Fig. 5 - Crankshaft Group	13-9
Fig. 6 - Piston Group	13-10
Fig. 7 - Oil Pump Group	13-11
Fig. 8 - Gear Cover Group	13-12
Fig. 9 - Flywheel and Starter Group	13-13
Fig. 10 - Intake and Exhaust Manifold Group .	13-14
Fig. 11 - Water Pump Group	13-15
Fig. 12 - Water Header and Thermostat Group	13-16
Fig. 13 - Alternator Brackets and PCV Group .	13-17
Fig. 14 - Oil Filter Group	13-18

Fig. 1 - Engine Block Group



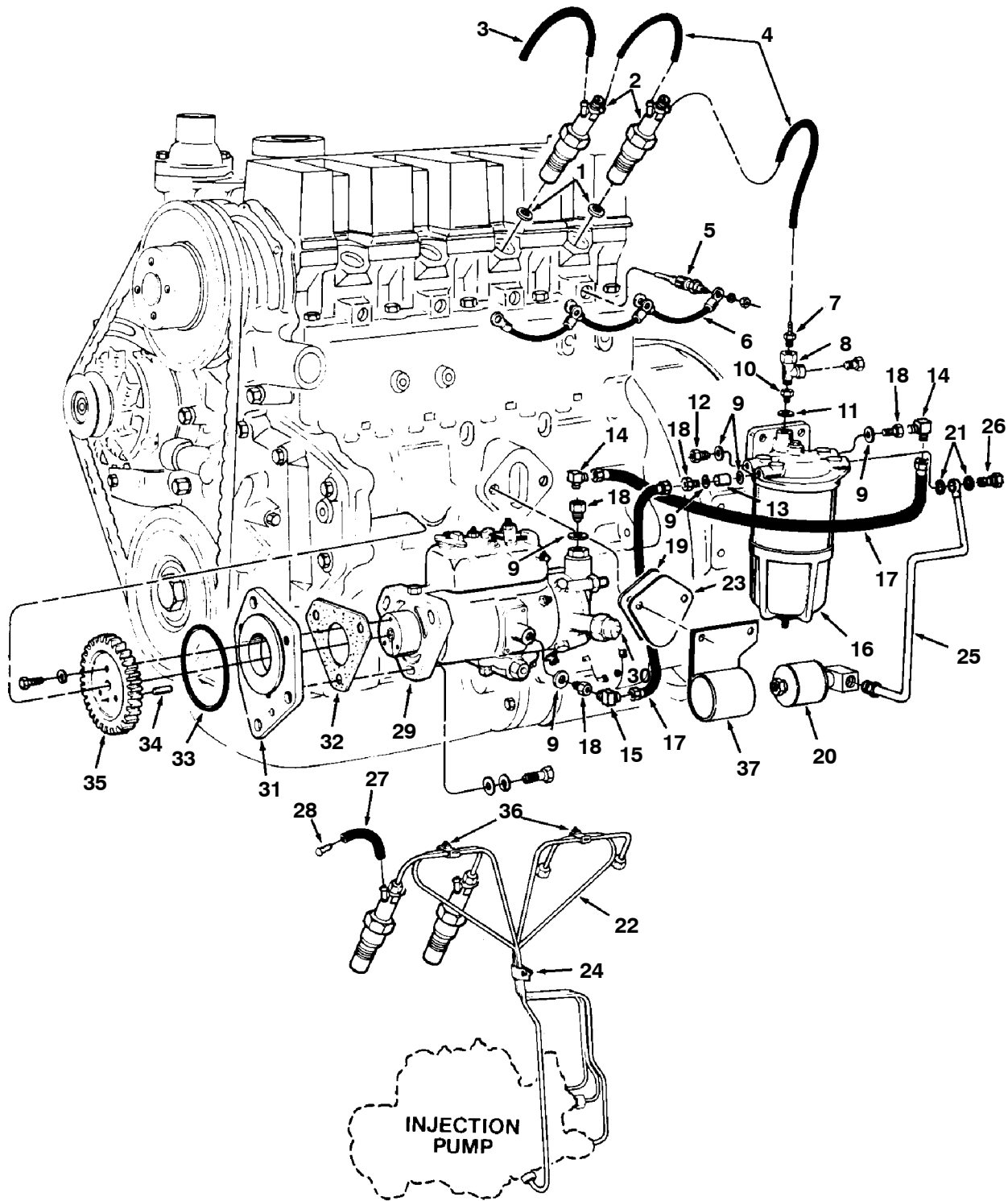
61697 CONTINENTAL ENGINE BREAKDOWN, DIESEL

09765 - 550, 1550, D

Fig. 1 - Engine Block Group

Ref.	Part No.	Description	Qty.
1	X00110	Plug	1
2	38404	Rod, Oil Gauge	1
3	52736	Tube, Oil Filler	1
4	393726	Plug	5
5	51305	Cock, Water Drain	1
6	78517	Plug, Cup	5
7	X26129	Plug	2
8	31943	Short Block Assembly, R, Includes: Block, Tappets, Camshaft, Crankshaft, Main Bearings, Bearing Caps, Pistons, Piston Pins, Piston Rings, Connecting Rods, Rod Bearings, Thrust Plate, Cam Gear, Gear, Oil Pump, Oil Gauge Support, and Gasket Set	1
8	31942	Short Block Assembly, S, Includes: R ShortBlock Assembly Plus - Head, Guides, Valves and Associated Parts, Rocker Arm Shaft Assembly, Pushrods, Head Cover, Gear Cover, Oil Pan, Oil Filler Cap, and Gasket Set	1
9	38413	Plug, Expansion	1
10	393680	Plug	1
11	38408	Seal, Oil	2
12	TMD27B00502	Cap And Filler Block, Rear Bearing	1
	38758	Gasket, Rear Bearing Cup	1
13	393683	Cap, Crankshaft Bearing	3
14	393684	Screw	10
15	393730	Pan Assembly, Oil	1
▽	15 61711	Pan Assembly, Oil	1
▲	16 38082	Plug, Drain	1
▲	17 388260	Washer, Drain Plug	1
18	393685	Cap, Crankshaft Bearing, Front	1
19	393732	Dowel, Bearing Cap, Front and Rear	4
20	393687	Pin, Dowel, Gear Cover to Crankcase	2
21	38758	Gasket, Oil Pan, Form-In-Place	1

Fig. 2 - Fuel System Group



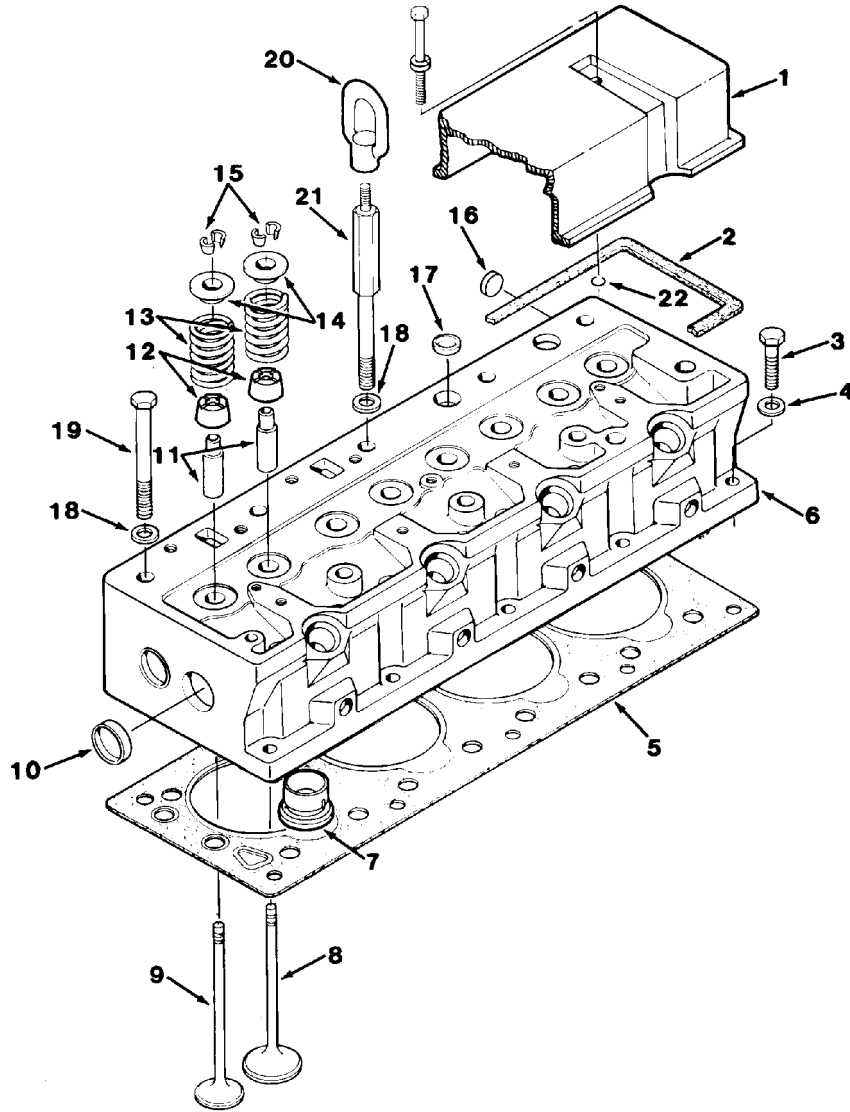
61697 CONTINENTAL ENGINE BREAKDOWN, DIESEL

01628 - 550, 1550, D

Fig. 2 - Fuel System Group

Ref.	Part No.	Description	Qty.
	1 38393	Shield, Heat	4
▽	2 38389	Nozzle and Tip Assembly	4
▲	78520	Tip, Nozzle	4
	3 38411	Hose, Fuel	1
	4 XM38003054	Hose, Fuel	3
	5 38386	Plug, Glow	4
	6 61733	Wire, Glow Plug	3
	7 38419	Adapter	1
	TMD27F00305	Adapter (For Engine 16850)	1
	8 38417	Tee	1
	9 77896	Washer	6
	10 38412	Adapter	1
	11 X14134	Washer, Copper	1
	12 TMD27F00214	Plug	1
	13 42326	Valve, Check	1
	14 X12393	Adapter	1
	15 X12489	Elbow, #3 Inlet	2
▽	16 38388	Filter, Fuel And Water Separator	1
▲	52770-9	Element, Fuel Filter	1
	17 61743	Hose	2
	52841	Hose, Injection (For Engine 16850)	1
	18 388014	Adapter	5
	19 47680	Gasket, Fuel Pump	2
	20 16706	Pump, Fuel	1
	21 16712	Washer, Sealing	2
	22 38488	Vr, Tube Kit, Injector [4 Tubes]	1
	23 16707	Cover, Fuel Pump	1
	24 38384	Clamp, Injection Line	1
	25 16710	Tube Assembly	1
	26 16711	Fitting, Banjo	1
	27 42149	Hose, Fuel, #1 Leak-off End	1
	28 X26138	Plug	1
▽	29 38392	Pump, Fuel Injection (Replaced by none)	1
▲	30 16739	Solenoid, Fuel Shut-Off	1
	31 61748	Adapter	1
	32 38379	Gasket, Injection Pump	1
	33 38415	O-Ring	1
	34 393693	Pin	1
	35 393694	Gear, Injection Pump	1
	36 38385	Clamp, Injection Line	2
	52759	Clamp, Leak-Off Line	10
	37 47675	Bracket, Fuel Pump	1

Fig. 3 - Cylinder Head Group



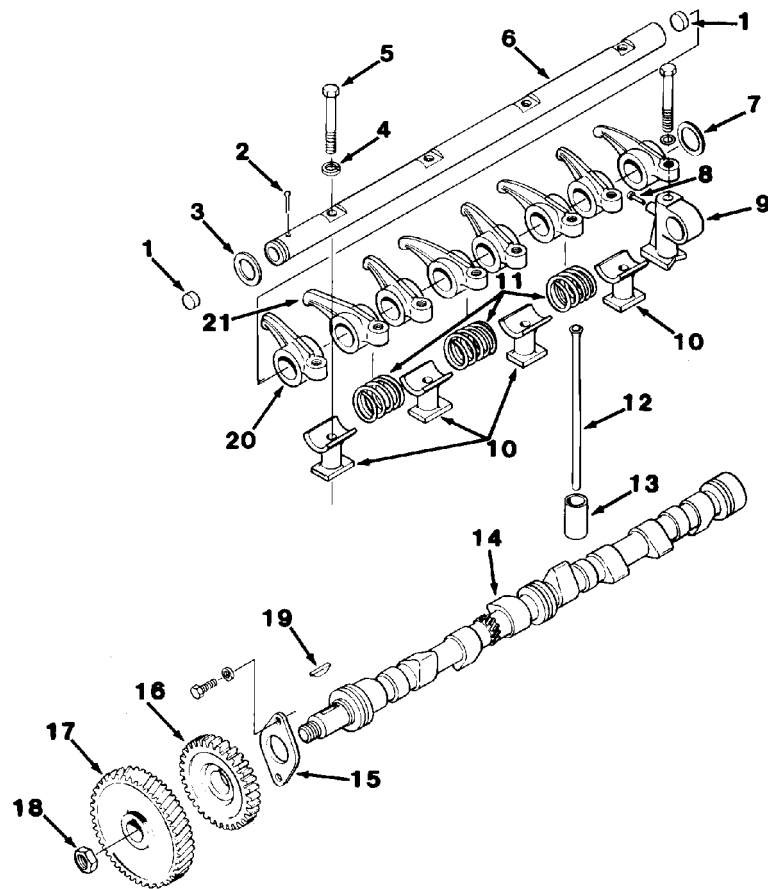
61697 CONTINENTAL ENGINE BREAKDOWN, DIESEL

09766 - 550, 1550, D

Fig. 3 - Cylinder Head Group

Ref.	Part No.	Description	Qty.	
1	TM27A0610	Cover, Cylinder Head	1	
2	34876	Gasket, Cover	1	
3	52886	Screw	5	
4	37942	Washer, Plain	5	
5	TMD27A00507	Gasket, Cylinder Head (For Engine 34910)	1	
5	TMD27A00205	Gasket, Cylinder Head (For Engine 16850)	1	
▽	6	52757	Head, Cylinder	1
▲	7	52756	Insert, Combustion Chamber (Replaced by None)	4
▲	8	42006	Valve, Intake	4
▲	9	42009	Valve, Exhaust	4
▲	10	61741	Plug, Cup	4
▲	11	16153	Guide, Valve Stem	8
▲	12	52760	Guard, Valve Stem Oil	8
▲	13	42116	Spring, Valve	8
▲	14	370725	Retainer, Valve Spring	8
▲	15	393695	Lock, Valve Spring Retainer	16
▲	16	10100	Plug, Cup	4
▲	17	77880	Plug, Core	2
	18	52898	Washer, Flat	10
	19	388338	Screw	9
	20	393696	Eye, Lifting	1
	21	38923	Screw	1
	22	61725	O-Ring	3
		TMD27U01001	Gasket Set, Top (For Engine 34910)	1
		TMD27U01002	Gasket Set, Top (For Engine 16850)	1

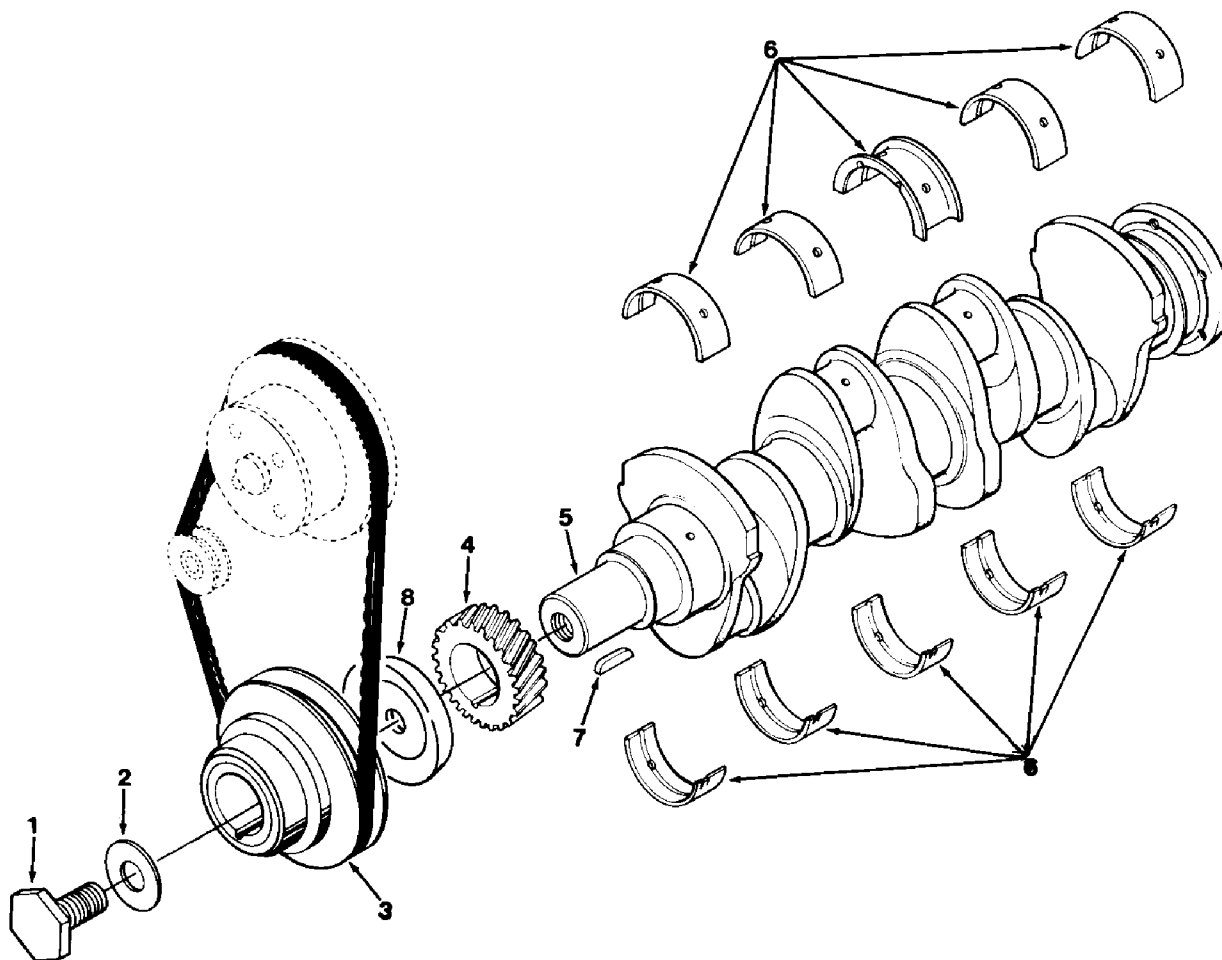
Fig. 4 - Camshaft Group



01622 - 550, 1550, D

Ref.	Part No.	Description	Qty.
1	X02544	Plug, Shaft Ends	2
2	393699	Pin, Cotter	2
3	393700	Washer, Rocker Arm Shaft	2
4	393701	Washer, Flat	4
5	388080	Screw	4
6	393734	Shaft, Rocker Arm	1
7	TM27I00306	Washer, Wavy	1
8	393736	Pin, Rear Support Top	1
9		Support, Rocker Arm Shaft, Rear (NOT AVAILABLE)	1
10	393702	Support, Rocker Arm Shaft	4
	TM27I00313	Spring, Rocker Shaft Ends (For Engine 16850)	1
11	393703	Spring, Rocker Arm Shaft	3
12	370726	Rod, Push	8
13	52725	Tappet, Valve	8
14	42330	Camshaft	1
15	38753	Plate, Camshaft Thrust	1
16	42328	Gear, Injection Pump Driver	1
17	TMD27H00503	Gear, Camshaft	1
18	52859	Nut	1
19	42337	Key	1
20	TM27I05130	Arm Assembly, Rocker, Exhaust	4
21	TM27I05120	Arm Assembly, Rocker, Intake	4

Fig. 5 - Crankshaft Group



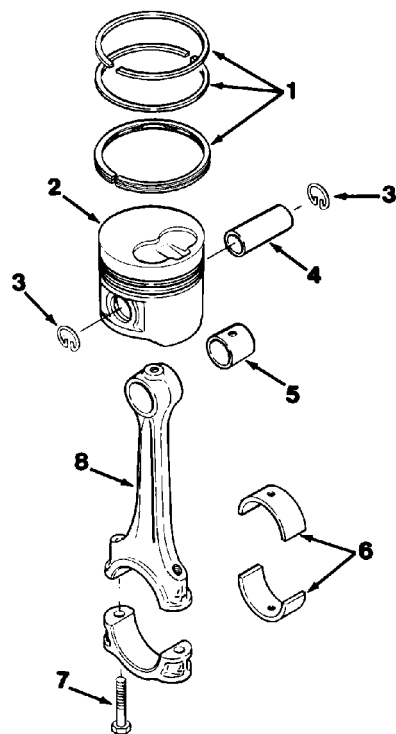
09767 - 550, 1550, D

Ref.	Part No.	Description	Qty.
1	388224	Screw	1
2	393705	Washer, Plain	1
3	38449	① Pulley, Crankshaft	1
3	61736	② Pulley, Crankshaft	1
4	370840	Gear, Crankshaft	1
5	42148	Crankshaft	1
6	12784	Bearing Kit, Main, Standard	1
6	52753	Bearing Kit, Main, 0.25 mm Undersize	1
6	21782	Bearing Kit, Main, 0.50 mm Undersize	1
6	61724	Bearing Kit, Main, 0.75 mm Undersize	1
6	393707	Bearing Kit, Main, 1.00 mm Undersize	1
7	61762	Key (Replaced by None)	1
8	61775	Slinger, Oil (Replaced by None)	1

① Teledyne Continental Engine Serial Number (000000-302297)

② Teledyne Continental Engine Serial Number (302298-)

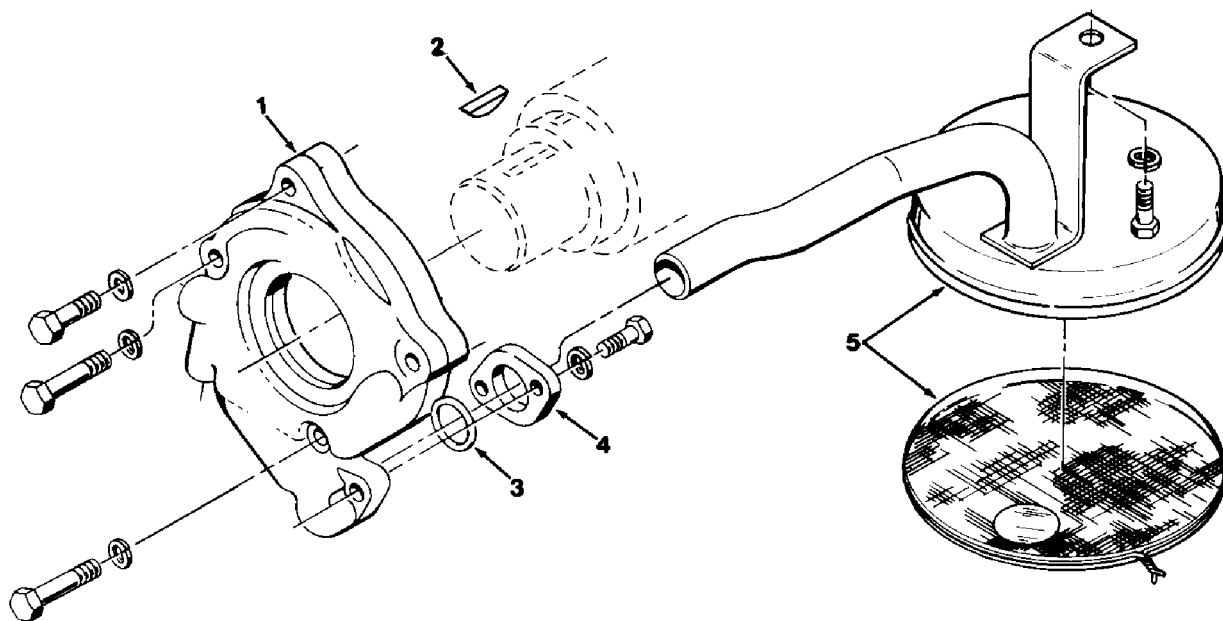
Fig. 6 - Piston Group



09768 - 550, 1550, D

Ref.	Part No.	Description	Qty.	
1	38836	Ring Kit, Re-Ring, Standard	4	
1	393708	Ring Kit, Re-Ring, 0.50 mm Oversize	4	
1	393709	Ring Kit, Re-Ring, 0.75 mm Oversize	4	
1	393710	Ring Kit, Re-Ring, 1.00 mm Oversize	4	
2	38839	Piston Assembly, Standard	4	
2	38842	Piston Assembly, 0.50 mm Oversize	4	
2	393711	Piston Assembly, 0.75 mm Oversize	4	
▽	2	393712	Piston Assembly, 1.00 mm Oversize	4
▲	3	38572	Ring, Retaining, Piston Pin	2
▲	4	388139	Pin, Piston	1
5	52724	Bushing, Piston Pin	4	
6	38916	Bearing, Connecting Rod, Standard	4	
6	38787	Bearing, Connecting Rod, 0.25 mm Undersize	4	
6	38845	Bearing, Connecting Rod, 0.50 mm Undersize	4	
6	393713	Bearing, Connecting Rod, 0.75 mm Undersize	4	
6	38847	Bearing, Connecting Rod, 1.00 mm Undersize	4	
7	393714	Bolt, Connecting Rod	8	
8	38917	Rod Assembly, Connecting	4	

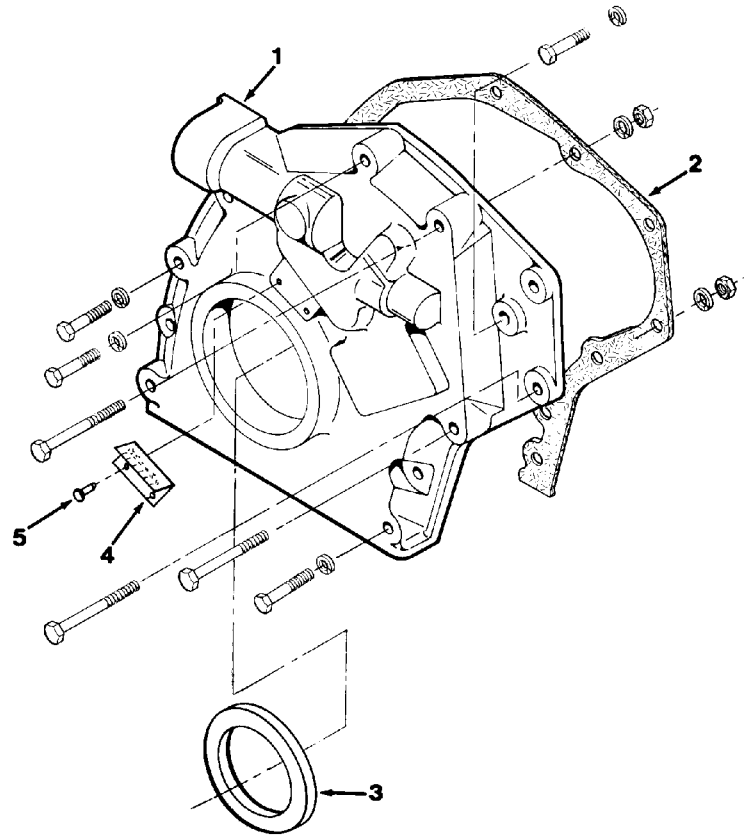
Fig. 7 - Oil Pump Group



01611 - 550, 1550, D

Ref.	Part No.	Description	Qty.
1	TM27L06020	Pump, Oil (For Engine 34910)	1
1	TM27L06030	Pump, Oil (For Engine 16850)	1
2	61749	Key, Woodruff	1
3	52764	O-Ring	1
4	393747	Adapter, Inlet Tube	1
5	393748	Tube Assembly, Oil Pump Inlet	1

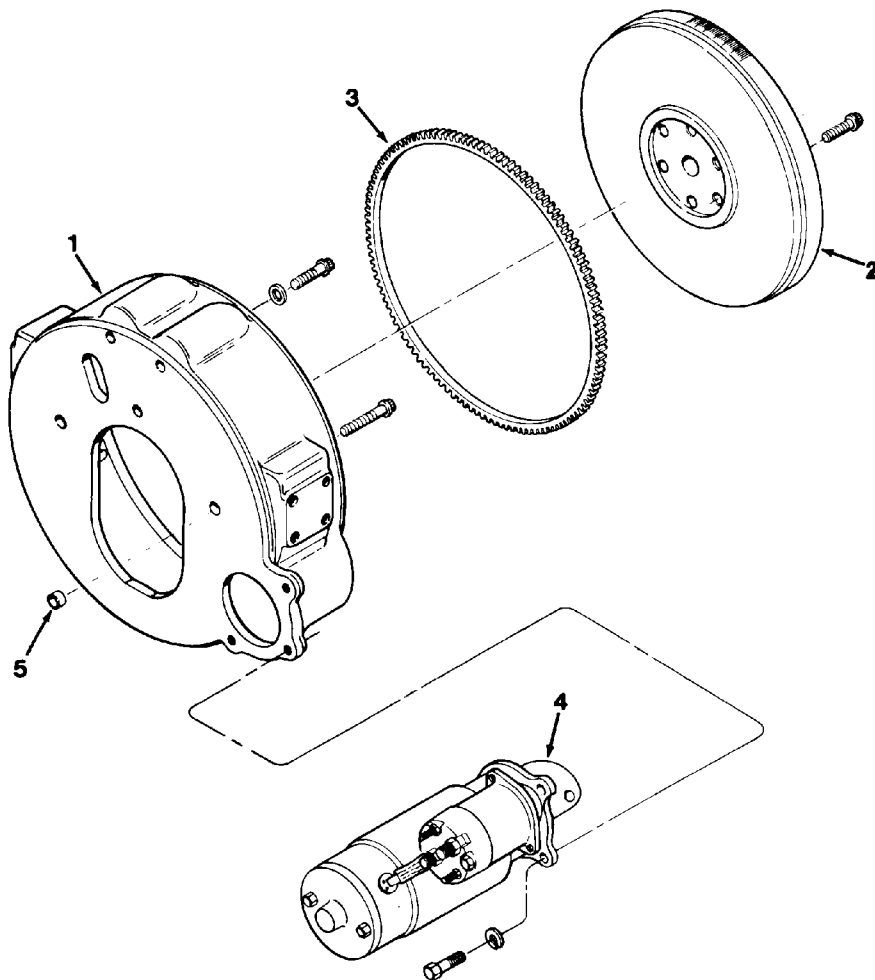
Fig. 8 - Gear Cover Group



09769 - 550, 1550, D

Ref.	Part No.	Description	Qty.
1	TMD27B05003	Cover, Gear	1
2	38381	Gasket, Gear Cover	1
3	X07823	Seal, Oil, Crankshaft (For Engine 34910)	1
3	38416	Seal, Oil, Crankshaft (For Engine 16850)	1
4	393717	Pointer, Engine Timing	1
5	393718	Rivet, Timing Pointer to Gear Cover	2
	TMD27U02001	Gasket Set, Front	1

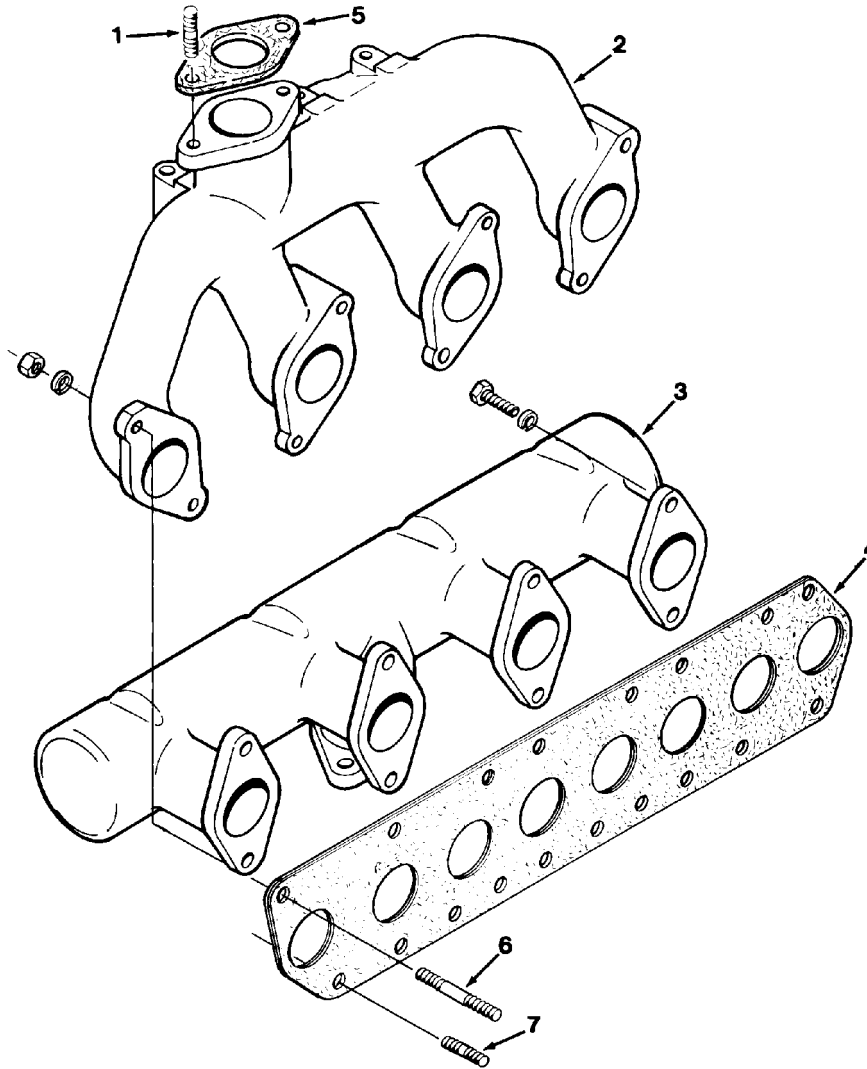
Fig. 9 - Flywheel and Starter Group



01625 - 550, 1550, D

Ref.	Part No.	Description	Qty.
1	16143	Housing, Flywheel	1
▽	16174	Flywheel (For Engine 34910)	1
▲	16147	Ring Gear (For Engine 34910) (Replaced by None)	1
▽	2 16851	Flywheel (For Engine 16850)	1
▲	3 16852	Ring Gear (For Engine 16850)	1
4	34547	Starter (For Engine 34910) (Replaced by None)	1
4	16855	Starter (For Engine 16850)	1
5	393720	Dowel, Ring	2

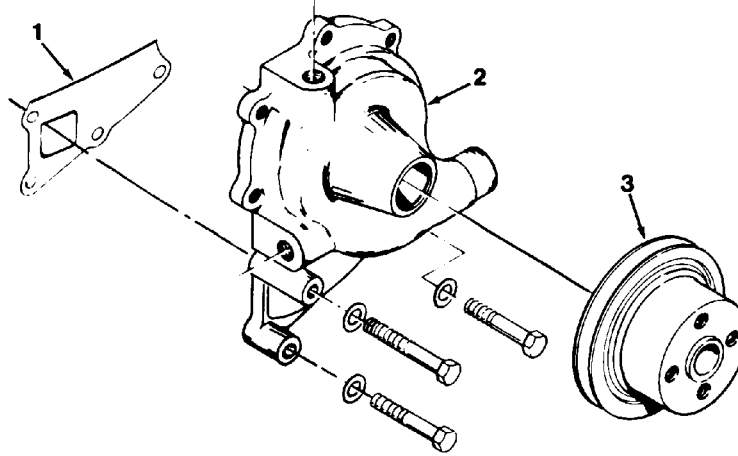
Fig. 10 - Intake and Exhaust Manifold Group



09770 - 550, 1550, D

Ref.	Part No.	Description	Qty.
	1	Stud	2
	2	Manifold, Exhaust	1
	3	Manifold, Intake	1
▽	34640	Gasket Set, Manifold	1
▲	4	Gasket, Manifold	1
▲	5	Gasket, Manifold, Exhaust	1
	6	Stud	2
	7	Stud	6

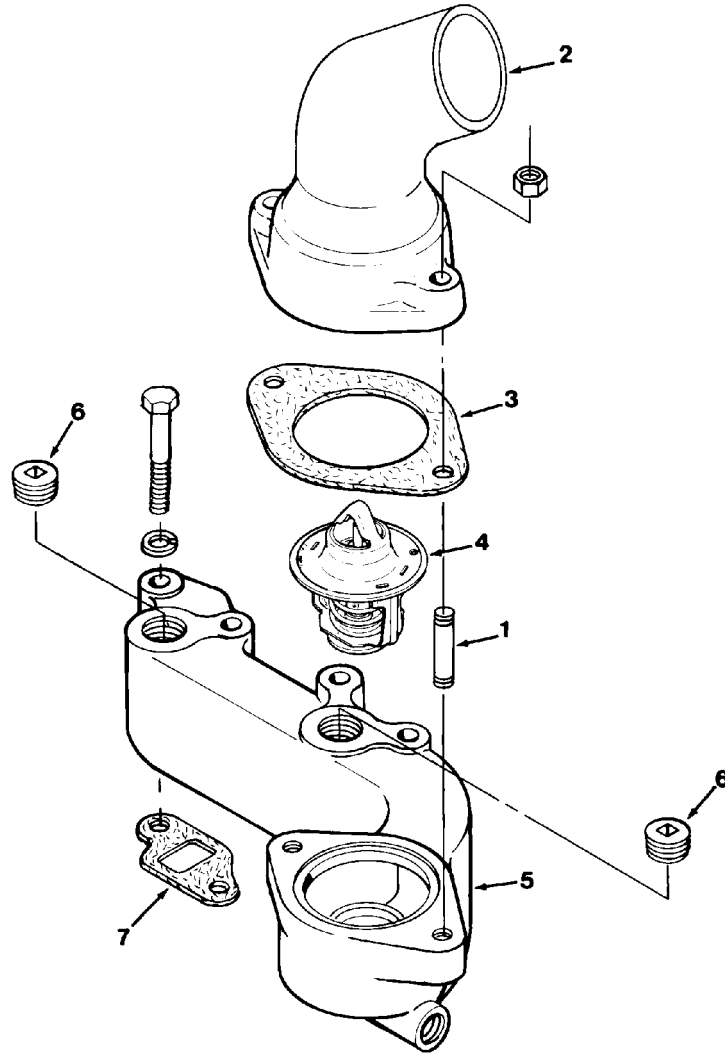
Fig. 11 - Water Pump Group



01615 - 550, 1550, D

Ref.	Part No.	Description	Qty.
▽	34429	Pump, Water [Cont]	1
▲	1 34873	Gasket, Water Pump to Crankcase	1
▲▽	2 34429	Pump, Water	1
▲▲	38788	Repair Kit, Water Pump	1
▲▲	3 38918	Pulley	1

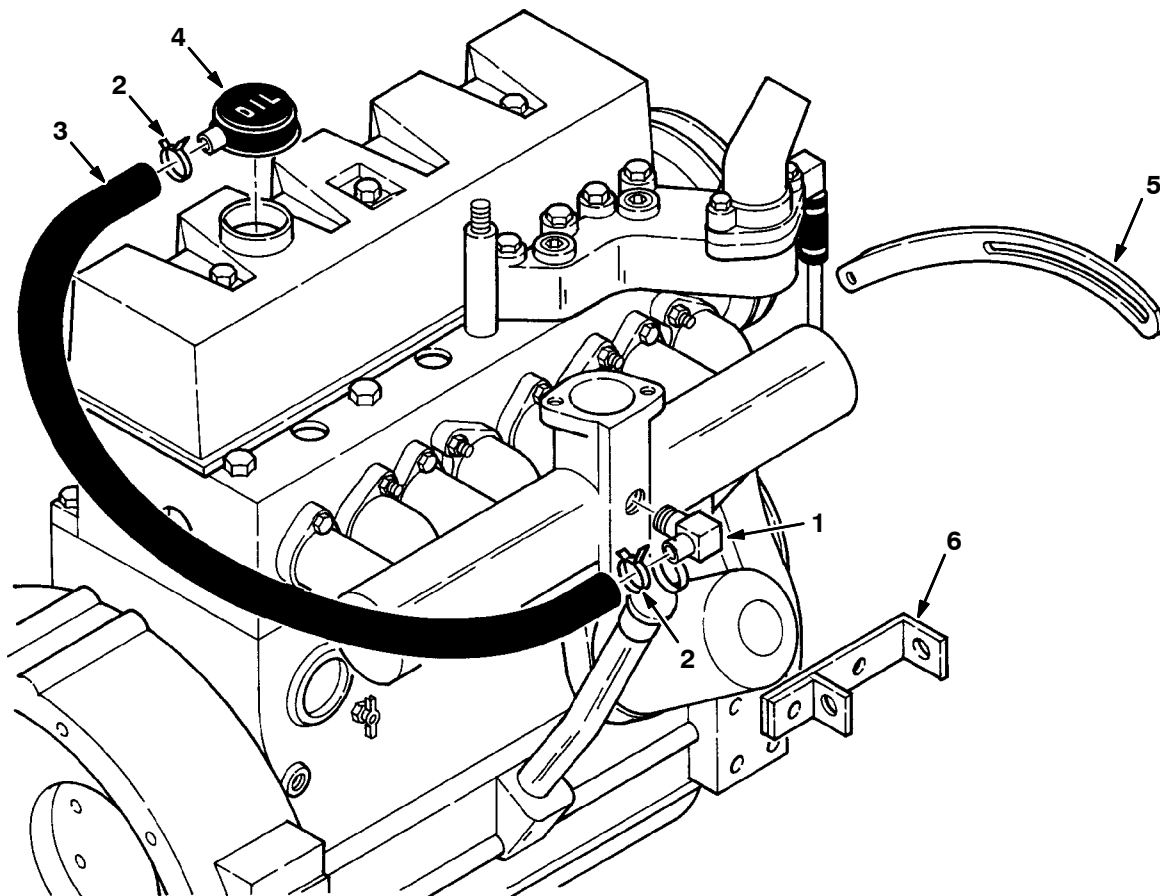
Fig. 12 - Water Header and Thermostat Group



09761 - 550, 1550, D

Ref.	Part No.	Description	Qty.	
1	393721	Stud	2	
2	38401	Elbow, Water Outlet	1	
▽	34752	Thermostat and Gasket	1	
▲	3	53988-12	Gasket, Elbow	1
▲	4	53988-13	Thermostat	1
5	393722	Header, Water Outlet	1	
6	X00101B	Plug	2	
7	TM27K00304	Gasket, Header	2	

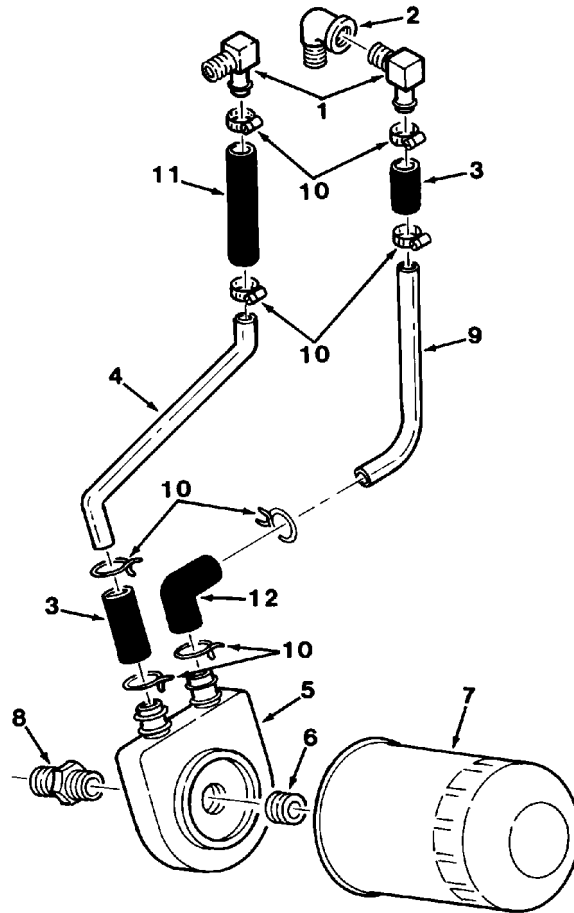
Fig. 13 - Alternator Brackets and PCV Group



09771 - 550, 1550, D

Ref.	Part No.	Description	Qty.
1	38418	Elbow, Intake Manifold (Replaced by None)	1
2	52766	Clamp, Hose	2
3	61776	Hose, Elbow to Filler Cap	1
4	38403	Cap, Oil Filler	1
5	30036	Strap, Alternator	1
6	393754	Bracket, Alternator	1

Fig. 14 - Oil Filter Group



09772 - 550, 1550, D

Ref.	Part No.	Description	Qty.
1	47388	Elbow, Water Header	2
2	393724	Elbow, Water Pump	1
3	38856	Hose, Oil Cooler	2
4	38409	Tube, Oil Cooler	1
5	38405	Cooler, Oil	1
6	38402	Adapter, Oil Filter	1
7	39703-2	Element, Oil Filter (For Engine 34910)	1
7	16853	Element, Oil Filter (For Engine 16850)	1
8	77895	Connector, Oil Cooler	1
9	38406	Tube, Oil Cooler	1
10	52766	Clamp, Hose	8
11	38857	Hose, Oil Cooler	1
12	38919	Hose, Oil Cooler	1

SECTION 14

Contents	Page
Fig. 1 - Engine Block Group	14-2
Fig. 2 - Fuel System Group	14-4
Fig. 3 - Cylinder Head Group	14-6
Fig. 4 - Camshaft Group	14-8
Fig. 5 - Crankshaft Group	14-9
Fig. 6 - Piston Group	14-10
Fig. 7 - Oil Pump Group	14-11
Fig. 8 - Gear Cover Group	14-12
Fig. 9 - Flywheel and Starter Group	14-13
Fig. 10 - Intake and Exhaust Manifold Group .	14-14
Fig. 11 - Water Pump Group	14-15
Fig. 12 - Water Header and Thermostat Group	14-16
Fig. 13 - Alternator Brackets and PCV Group .	14-17
Fig. 14 - Oil Filter Group	14-18

Fig. 1 - Engine Block Group

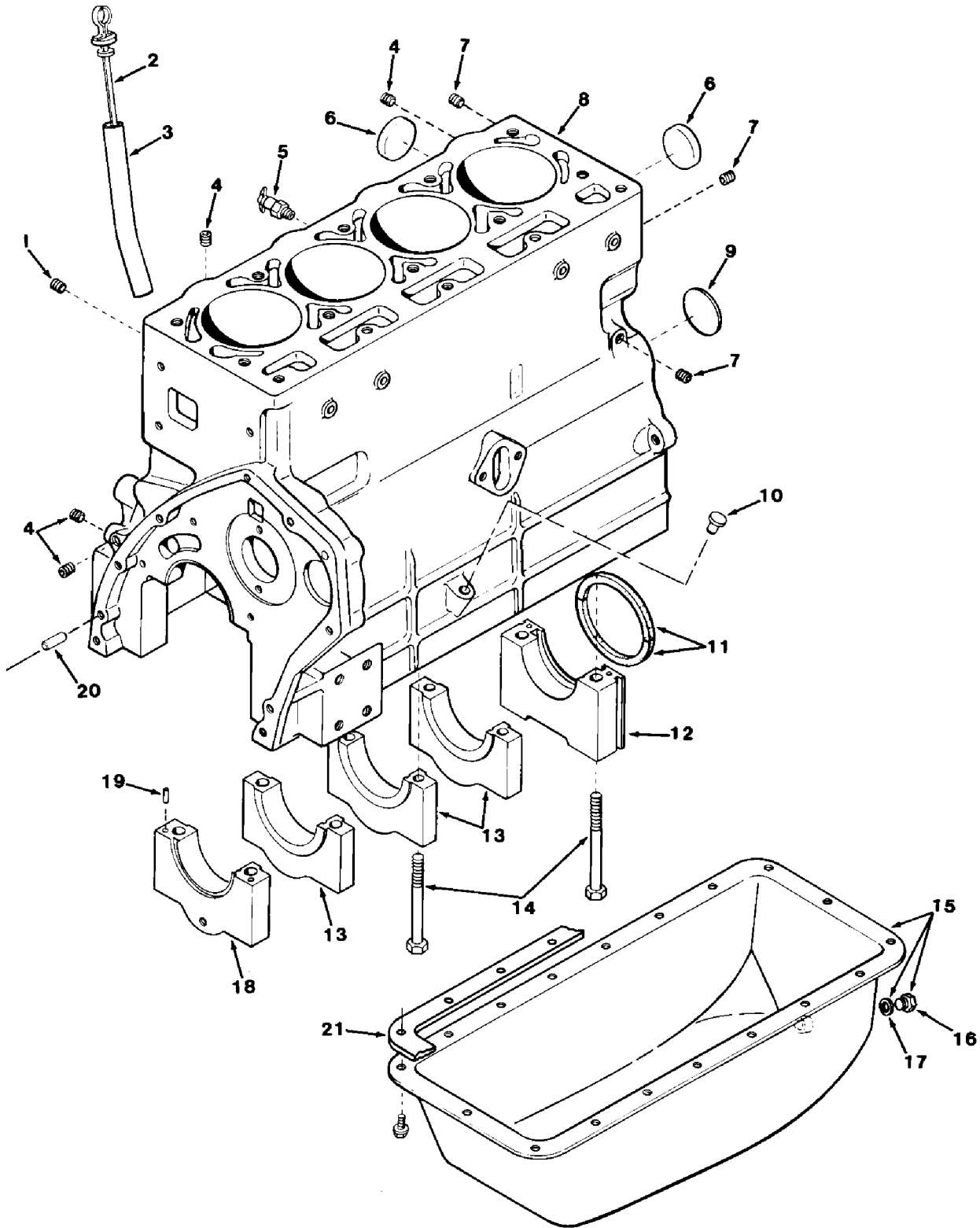


Fig. 1 - Engine Block Group

Ref.	Part No.	Description	Qty.
1	393677	Plug	1
2	38404	Rod, Oil Gauge	1
3	52736	Tube, Oil Filler	1
4	393678	Plug	5
5	51305	Cock, Water Drain	1
6	78517	Plug, Cup	5
7	393679	Plug	2
8	78518	Short Block Assembly, R, Includes: Block, Tappets, Camshaft, Crankshaft, Main Bearings, Bearing Caps, Pistons, Piston Pins, Piston Rings, Connecting Rods, Rod Bearings, Thrust Plate, Cam Gear, Gear, Oil Pump, Oil Gauge Support, and Gasket Set	1
8	78519	Short Block Assembly, S, Includes: R ShortBlock Assembly Plus - Head, Guides, Valves and Associated Parts, Rocker Arm Shaft Assembly, Push-rods, Head Cover, Gear Cover, Oil Pan, Oil Filler Cap, and Gasket Set	1
9	38413	Plug, Expansion	1
10	393680	Plug	1
11	38408	Seal, Oil	2
12	393716	Cap And Filler Block, Rear Bearing	1
	38758	Gasket, Rear Bearing Cup	1
13	393683	Cap, Crankshaft Bearing	3
14	393684	Screw	10
▽	15 61711	Pan Assembly, Oil	1
▲	16 38082	Plug, Drain	1
▲	17 388260	Washer, Drain Plug	1
18	393685	Cap, Crankshaft Bearing, Front	1
19	393686	Dowel, Bearing Cap, Front and Rear	4
20	393687	Pin, Dowel, Gear Cover to Crankcase	2
21	38758	Gasket, Oil Pan, Form-In-Place	1

Fig. 2 - Fuel System Group

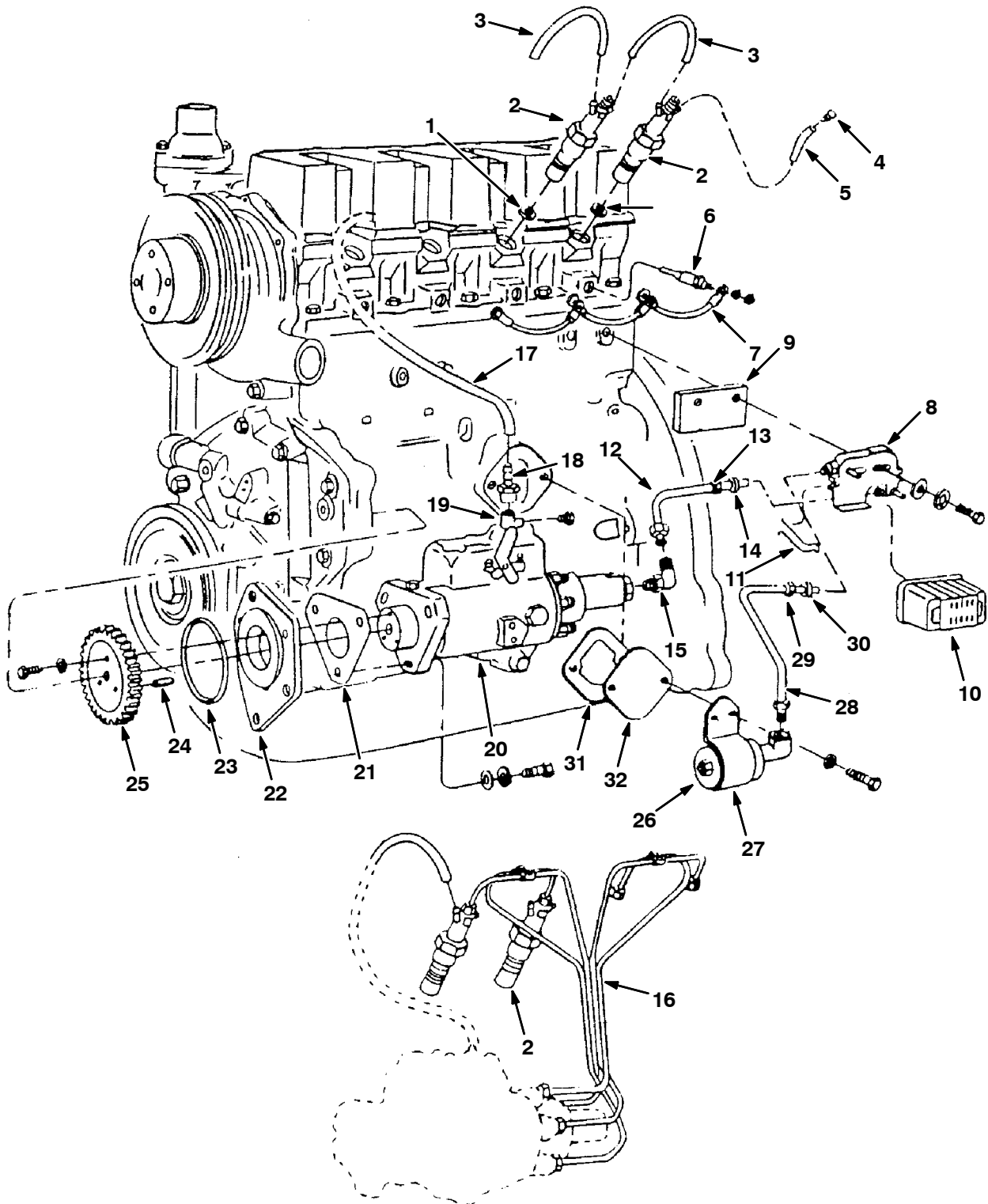


Fig. 2 - Fuel System Group

	Ref.	Part No.	Description	Qty.
	1	38393	Shield, Heat	4
▽	2	78520	Nozzle and Tip Assembly	4
▲		78521	Tip, Nozzle	4
	3	52899	Hose, Fuel	3
	4	61777	Plug, Hose	1
	5	42149	Hose, Fuel	4
	6	65966	Plug, Glow	4
	7	61733	Wire, Glow Plug	3
	8	78522	Base, Fuel Filter	1
	9	78523	Adapter, Fuel Filter	1
	10	78524	Element, Fuel Filter	1
	11	393688	Clamp, Fuel Filter	2
▽	12	78525	Tube Assembly	1
▲	13	393689	Nut, Tube Assembly	1
▲	14	393690	Sleeve, Tube Assembly	1
	15	393691	Elbow, Fuel Injection Pump	1
	16	78526	Tube Set, Fuel Injection	1
	17	78527	Hose, Fuel	1
	18	393692	Adapter	1
	19	38417	Tee	1
	20	65965	Pump, Fuel Injection	1
	21	38379	Gasket, Injection Pump	1
	22	61748	Adapter, Injection Pump	1
	23	38415	O-Ring, Injection Pump	1
	24	393693	Pin, Injection Pump	1
	25	393694	Gear, Injection Pump	1
	26	16706	Pump, Fuel	1
	27	78528	Clamp, Fuel Pump	1
▽	28	78529	Tube Assembly	1
▲	29	393689	Nut, Tube Assembly	1
▲	30	393690	Sleeve, Tube Assembly	1
	31	47680	Gasket, Fuel Pump	1
	32	47675	Cover, Fuel Pump	1

Fig. 3 - Cylinder Head Group

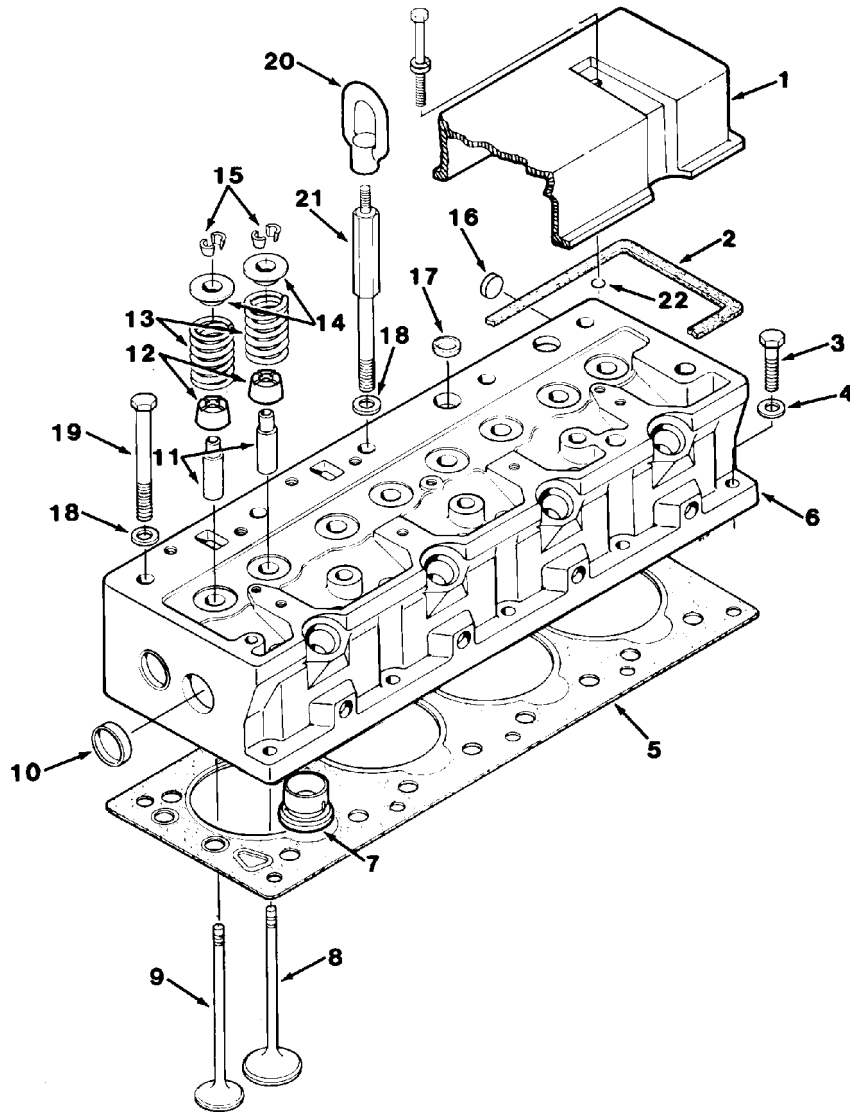
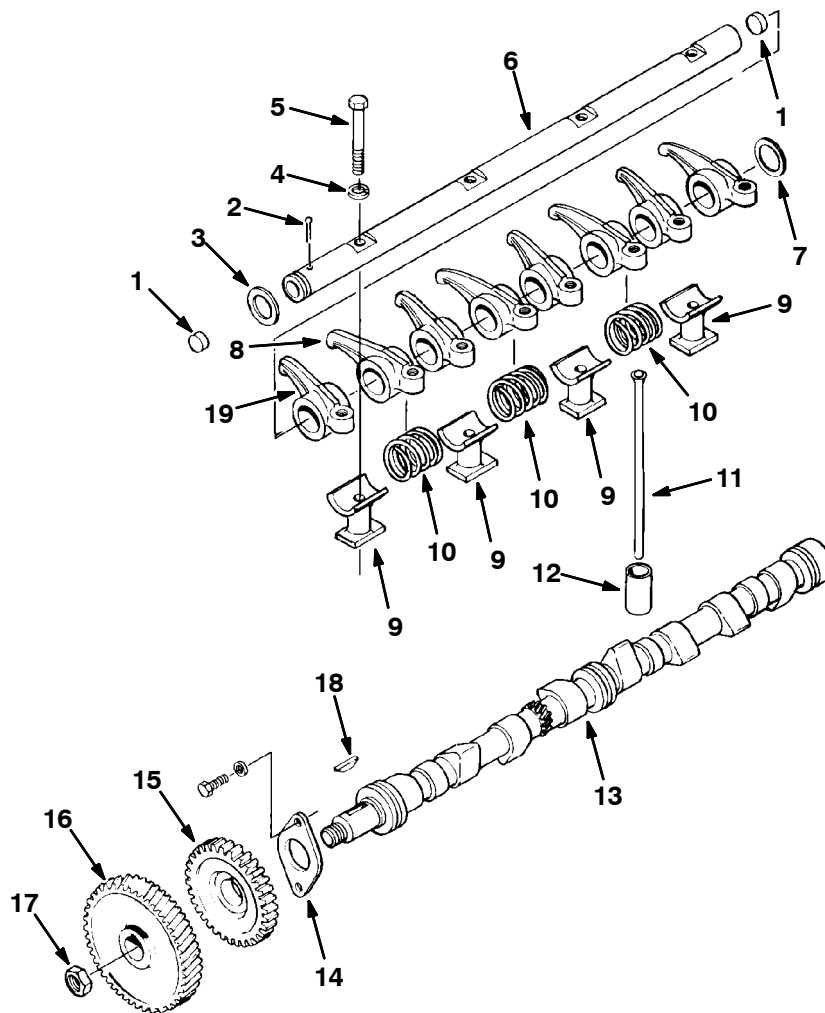


Fig. 3 - Cylinder Head Group

Ref.	Part No.	Description	Qty.	
1	38397	Cover, Cylinder Head	1	
2	34876	Gasket, Cover	1	
3	52886	Screw	5	
4	37942	Washer	5	
5	38665	Gasket, Cylinder Head	1	
▽	6	52757	Head, Cylinder	1
▲	7	52756	Insert, Combustion Chamber (Replaced by None)	4
▲	8	42006	Valve, Intake	4
▲	9	42009	Valve, Exhaust	4
▲	10	61741	Plug, Cup	4
▲	11	16153	Guide, Valve Stem	8
▲	12	52760	Guard, Valve Stem Oil	8
▲	13	42116	Spring, Valve	8
▲	14	370725	Retainer, Valve Spring	8
▲	15	393695	Lock, Valve Spring Retainer	16
▲	16	10100	Plug, Cup	4
▲	17	77880	Plug, Core	2
	18	52898	Washer, Flat	9
	19	31940	Screw	10
	20	393696	Eye, Lifting	1
	21	38923	Screw	1
	22	61725	O-Ring	3
		38774	Gasket Set, Top	1

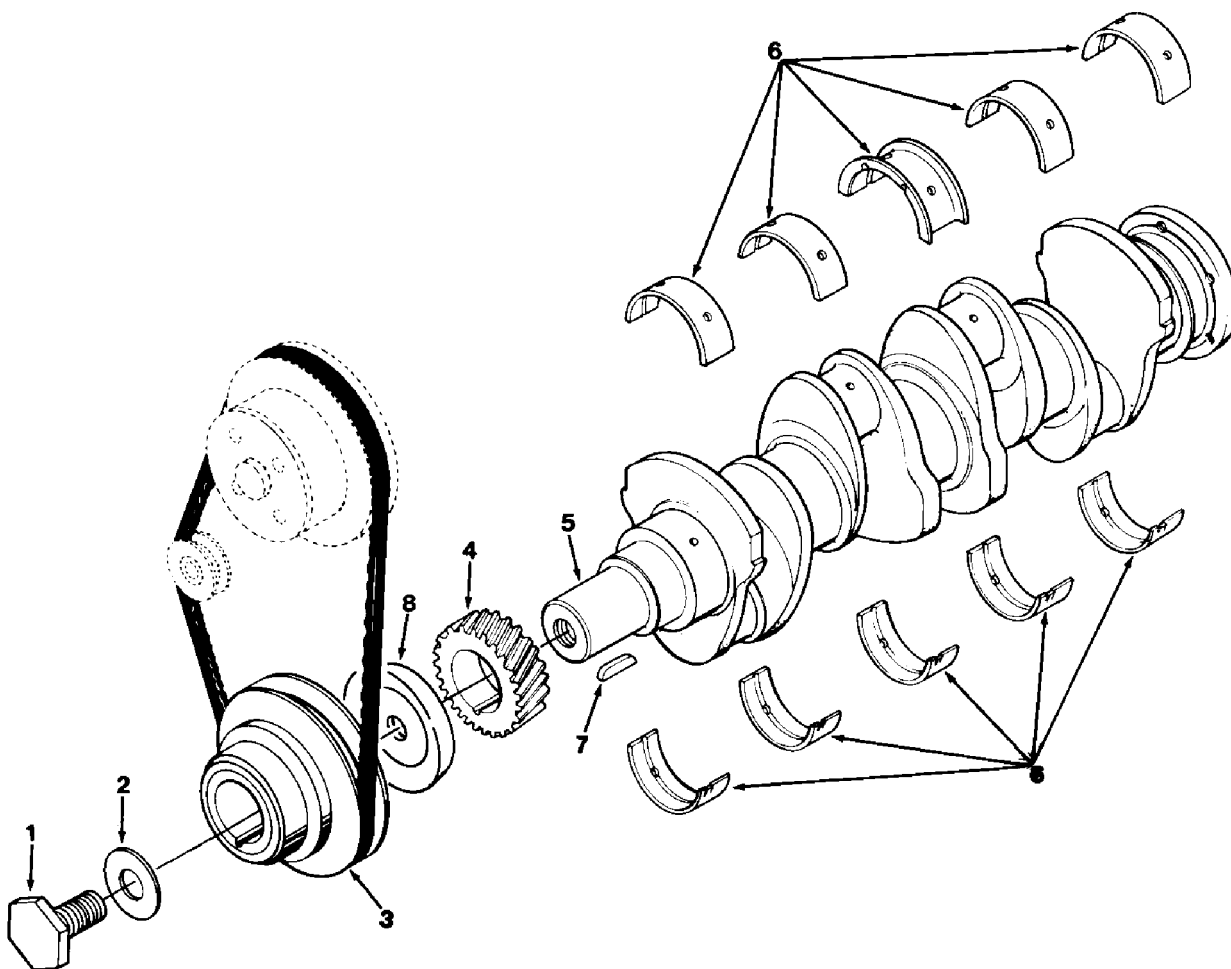
Fig. 4 - Camshaft Group



09408 - 550, 1550, D

Ref.	Part No.	Description	Qty.
1	393698	Plug, Shaft Ends	2
2	393699	Pin, Cotter	2
3	393700	Washer, Rocker Arm Shaft	2
4	393701	Washer, Flat	4
5	388080	Screw	4
6	393734	Shaft, Rocker Arm	1
7	393700	Washer, Plain	1
8	52734	Arm Assembly, Rocker, Intake	4
9	393702	Support, Rocker Arm Shaft	4
10	393703	Spring, Rocker Arm Shaft	3
11	370726	Rod, Push	8
12	52725	Tappet, Valve	8
13	42330	Camshaft	1
14	38753	Plate, Camshaft Thrust	1
15	42328	Gear, Injection Pump Driver	1
16	370700	Gear, Camshaft	1
17	52859	Nut	1
18	42337	Key	1
19	52730	Arm Assembly, Rocker, Exhaust	4

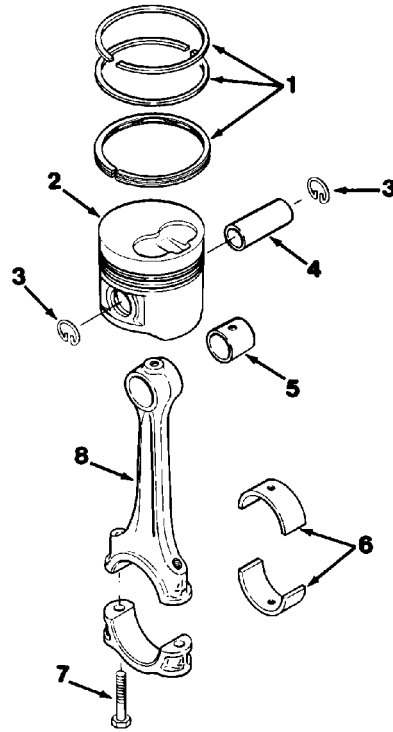
Fig. 5 - Crankshaft Group



09767 - 550, 1550, D

Ref.	Part No.	Description	Qty.
1	388224	Screw	1
2	393705	Washer, Plain	1
3	61736	Pulley, Crankshaft	1
4	393706	Gear, Crankshaft	1
5	42148	Crankshaft	1
6	12784	Bearing Kit, Main, Standard	1
6	52753	Bearing Kit, Main, 0.25 mm Undersize	1
6	21782	Bearing Kit, Main, 0.50 mm Undersize	1
6	61724	Bearing Kit, Main, 0.75 mm Undersize	1
6	393707	Bearing Kit, Main, 1.00 mm Undersize	1
7	61762	Key (Replaced by None)	1
8	61775	Slinger, Oil (Replaced by None)	1

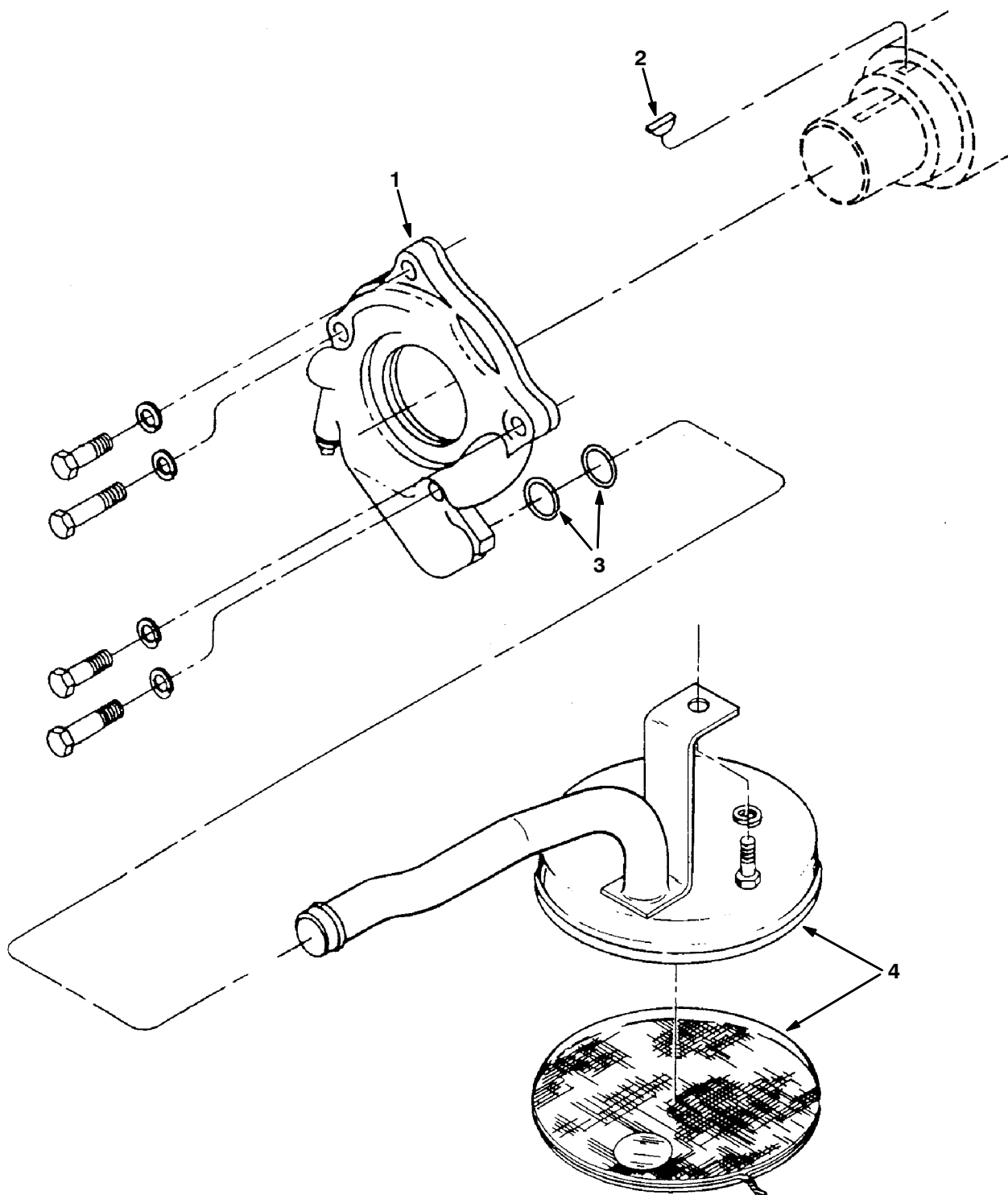
Fig. 6 - Piston Group



09768 - 550, 1550, D

Ref.	Part No.	Description	Qty.	
1	38836	Ring Kit, Re-Ring, Standard	4	
1	393708	Ring Kit, Re-Ring, 0.50 mm Oversize	4	
1	393709	Ring Kit, Re-Ring, 0.75 mm Oversize	4	
1	393710	Ring Kit, Re-Ring, 1.00 mm Oversize	4	
2	38839	Piston Assembly, Standard	4	
2	38842	Piston Assembly, 0.50 mm Oversize	4	
2	393711	Piston Assembly, 0.75 mm Oversize	4	
▽	2	393712	Piston Assembly, 1.00 mm Oversize	4
▲	3	38572	Ring, Retaining, Piston Pin	2
▲	4	388139	Pin, Piston	1
5	52724	Bushing, Piston Pin	4	
6	38916	Bearing, Connecting Rod, Standard	4	
6	38787	Bearing, Connecting Rod, 0.25 mm Undersize	4	
6	38845	Bearing, Connecting Rod, 0.50 mm Undersize	4	
6	393713	Bearing, Connecting Rod, 0.75 mm Undersize	4	
6	38847	Bearing, Connecting Rod, 1.00 mm Undersize	4	
7	393714	Bolt, Connecting Rod	8	
8	38917	Rod Assembly, Connecting	4	

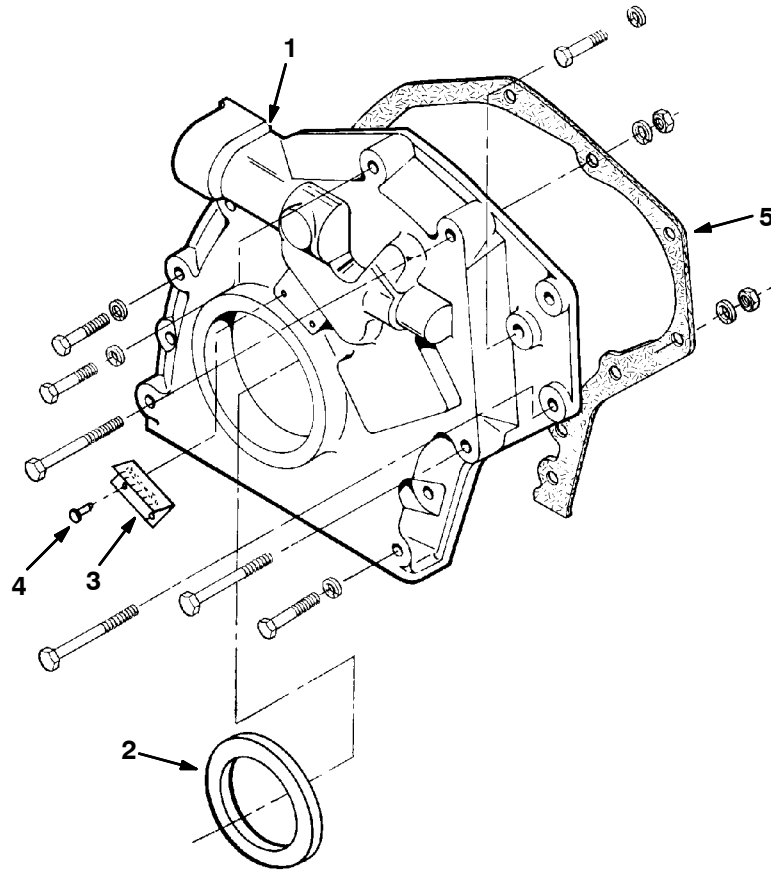
Fig. 7 - Oil Pump Group



09756 - 550, 1550, D

Ref.	Part No.	Description	Qty.
1	38920	Pump, Oil	1
2	61749	Key, Woodruff	1
3	52764	O-Ring	1
4	393715	Tube Assembly, Oil Pump Inlet	1

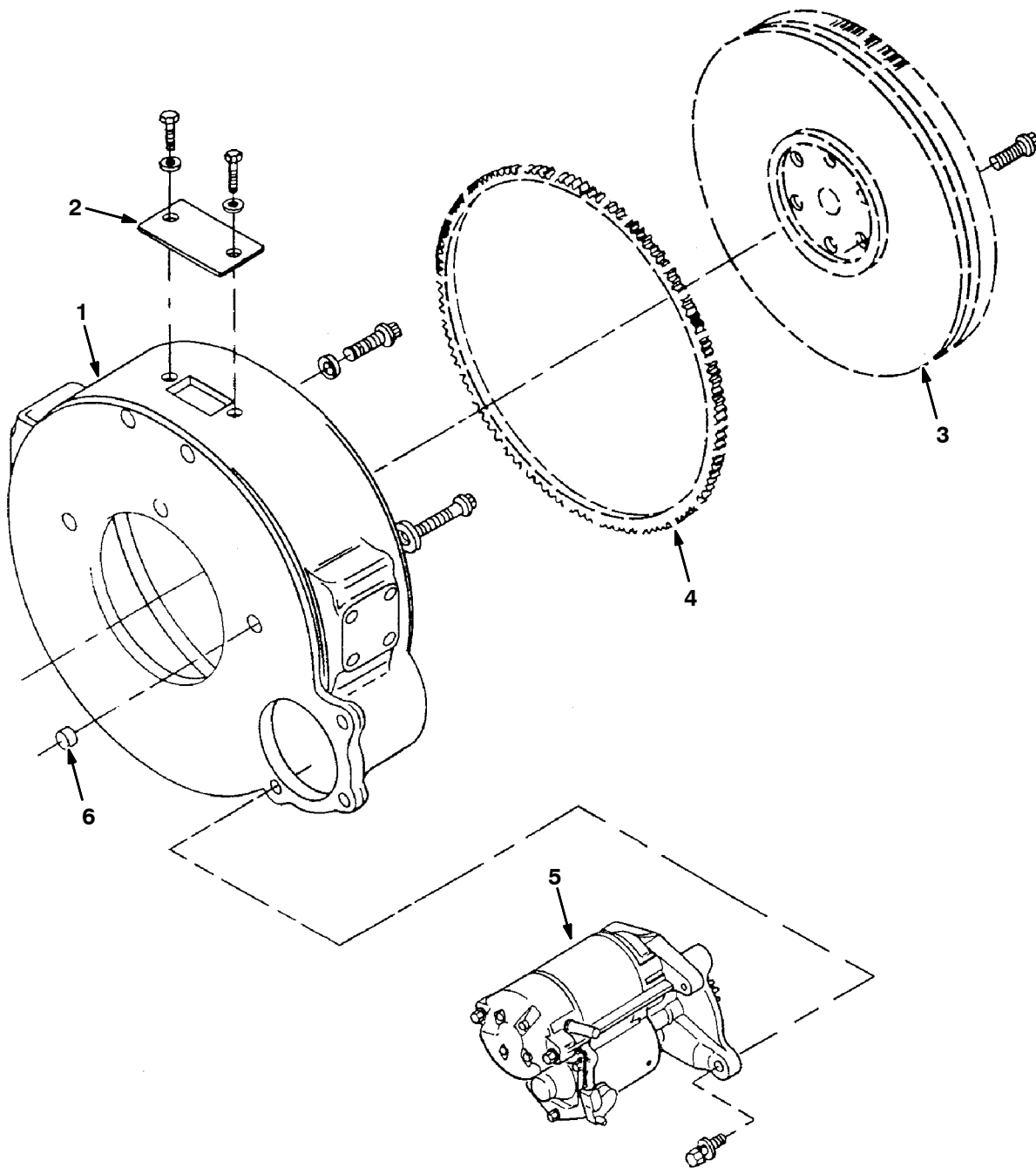
Fig. 8 - Gear Cover Group



09769 - 550, 1550, D

Ref.	Part No.	Description	Qty.
▽	1 393716	Cover Assembly, Gear	1
▲	2 38416	Seal, Oil, Crankshaft	1
▲	3 393717	Pointer, Engine Timing	1
▲	4 393718	Rivet, Timing Pointer to Gear Cover	2
	5 38381	Gasket, Gear Cover	1
	38855	Gasket Set, Front	1

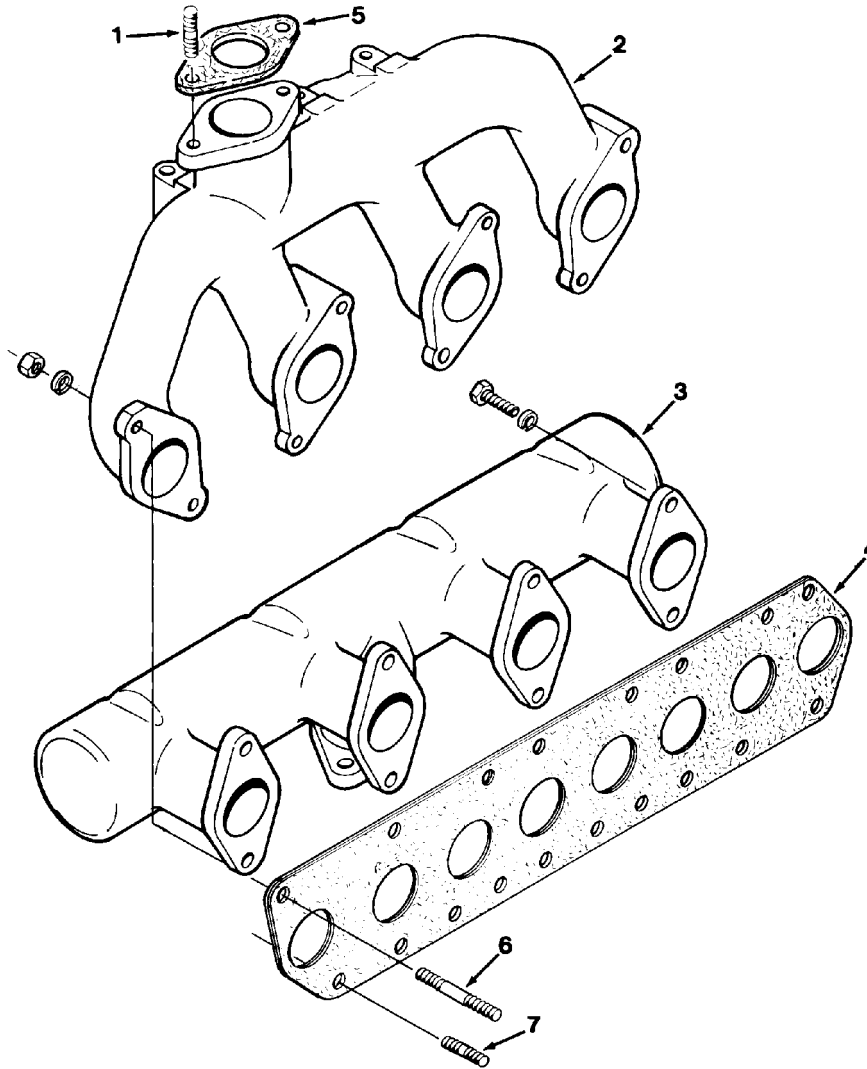
Fig. 9 - Flywheel and Starter Group



09758 - 550, 1550, D

Ref.	Part No.	Description	Qty.
▽	1 78531	Housing, Flywheel	1
▲	2 393719	Cover, Timing Hole	1
▽	3 16851	Flywheel	1
▲	4 16852	Ring Gear	1
	5 16855	Starter	1
	6 393720	Dowel, Ring	2

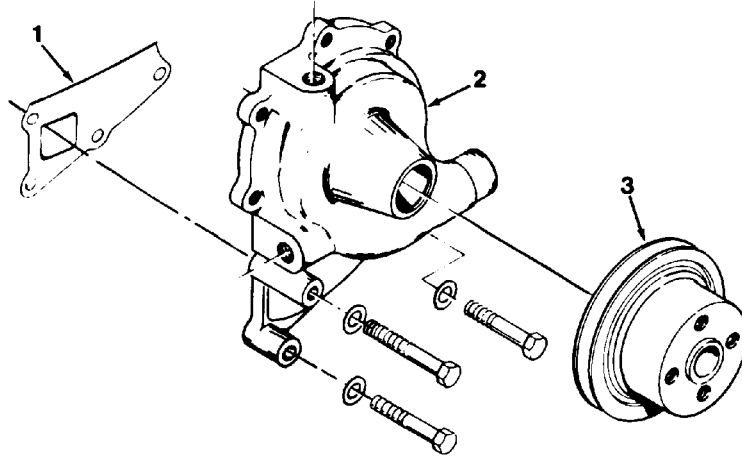
Fig. 10 - Intake and Exhaust Manifold Group



09770 - 550, 1550, D

Ref.	Part No.	Description	Qty.	
1	52887	Stud	2	
2	38420	Manifold, Exhaust	1	
3	38394	Manifold, Intake	1	
▽	34640	Gasket Set, Manifold	1	
▲	4	38843	Gasket, Manifold	1
▲	5	34796	Gasket, Manifold, Exhaust	1
	6	52888	Stud	2
	7	38924	Stud	6

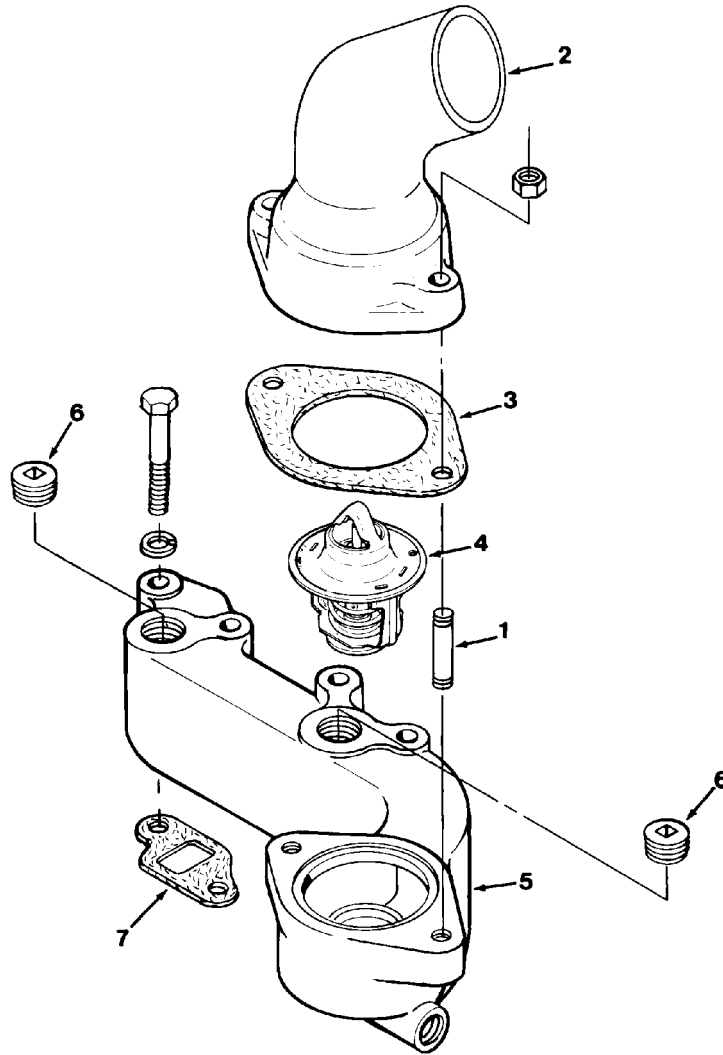
Fig. 11 - Water Pump Group



01615 - 550, 1550, D

	Ref.	Part No.	Description	Qty.
	1	34873	Gasket, Water Pump to Crankcase	1
▽	2	34429	Pump, Water	1
▲		38788	Repair Kit, Water Pump	1
▲	3	38918	Pulley	1

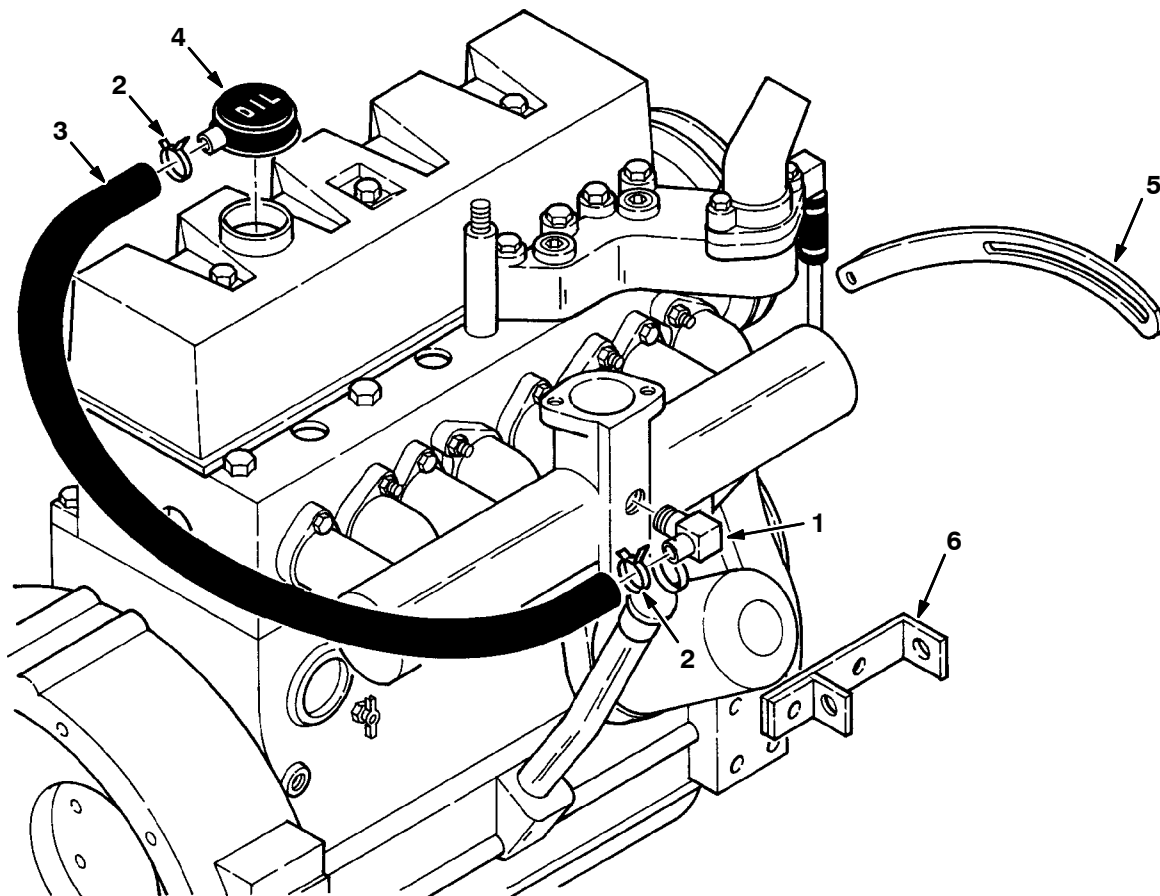
Fig. 12 - Water Header and Thermostat Group



09761 - 550, 1550, D

Ref.	Part No.	Description	Qty.	
1	393721	Stud	2	
2	38401	Elbow, Water Outlet	1	
▽	34752	Thermostat and Gasket	1	
▲	3	53988-12	Gasket, Elbow	1
▲	4	53988-13	Thermostat	1
5	393722	Header, Water Outlet	1	
6	393723	Plug	2	
7	30035	Gasket, Header	2	

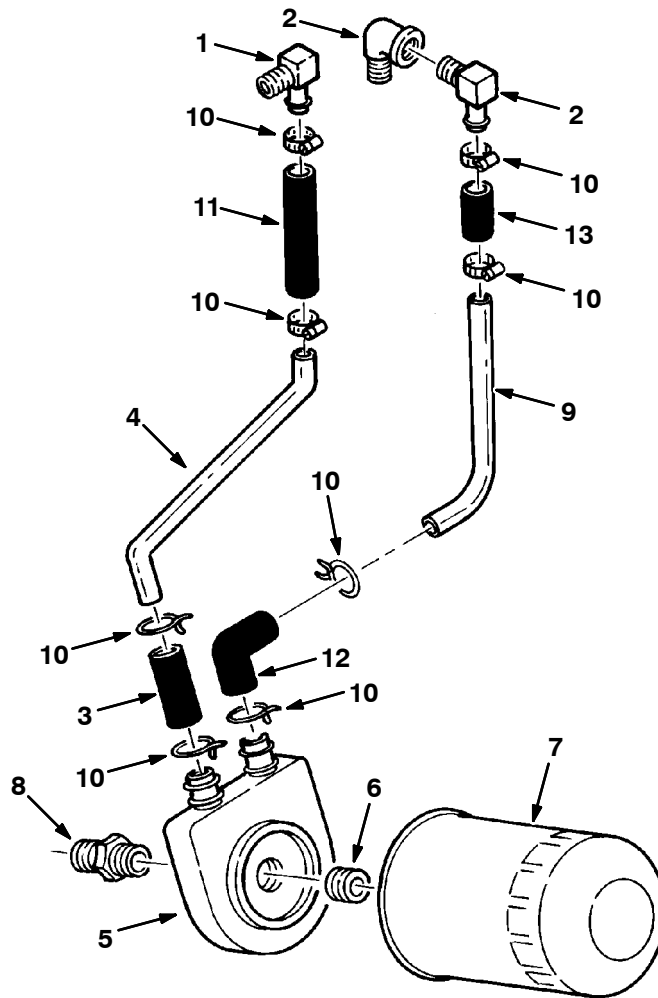
Fig. 13 - Alternator Brackets and PCV Group



09771 - 550, 1550, D

Ref.	Part No.	Description	Qty.
1	38418	Elbow, Intake Manifold (Replaced by None)	1
2	52766	Clamp, Hose	2
3	61776	Hose, Elbow to Filler Cap	1
4	38403	Cap, Oil Filler	1
5	30036	Strap, Alternator	1
6	393754	Bracket, Alternator	1

Fig. 14 - Oil Filter Group



09772 - 550, 1550, D

Ref.	Part No.	Description	Qty.
1	47388	Elbow, Water Header	2
2	393724	Elbow, Water Pump	1
3	38856	Hose, Oil Cooler	1
4	38409	Tube, Oil Cooler	1
5	38405	Cooler, Oil	1
6	38402	Adapter, Oil Filter	1
7	42325	Element, Oil Filter	1
8	77895	Connector, Oil Cooler	1
9	38406	Tube, Oil Cooler	1
10	52766	Clamp, Hose	8
11	38857	Hose, Oil Cooler	1
12	38919	Hose, Oil Cooler	1
13	52845	Hose, Oil Cooler	1

SECTION 15

Contents	Page
Fig. 1 - Cylinder Block Group	15-2
Fig. 2 - Crankshaft and Piston Group	15-4
Fig. 3 - Cylinder Head Group	15-6
Fig. 4 - Rocker Shaft Group	15-8
Fig. 5 - Timing Gear, Cover and Camshaft Group	15-10
Fig. 6 - Timing Gear Cover Mount Group	15-12
Fig. 7 - Oil Pump Group	15-13
Fig. 8 - Auxiliary Drive Group	15-14
Fig. 9 - Fuel Injection Pipe Group	15-16
Fig. 10 - Fuel Injection Pump Breakdown	15-18
Fig. 11 - Flywheel Housing Group	15-19
Fig. 12 - Lubricating Oil Sump Group	15-20
Fig. 13 - Cylinder Head Cover Group	15-22
Fig. 14 - Water Pump and Thermostat Group .	15-24
Fig. 15 - Manifold Group	15-26
Fig. 16 - Glow Plug and Engine Lift Group	15-27
Fig. 17 - Top Joints and Gaskets Group	15-28
Fig. 18 - Bottom Joints and Gaskets Group ...	15-29

Fig. 1 - Cylinder Block Group

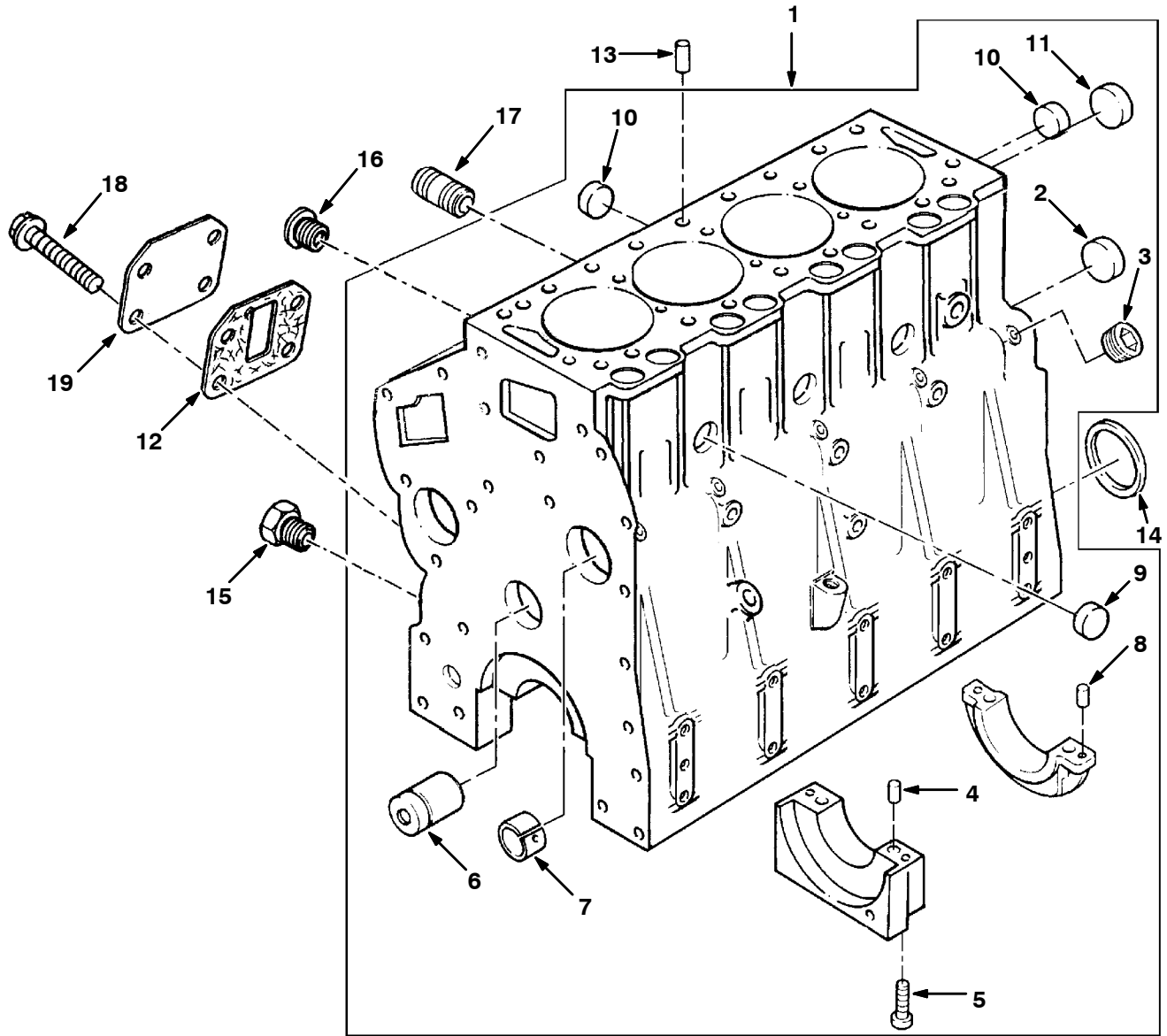


Fig. 1 - Cylinder Block Group

	Ref.	Part No.	Description	Qty.
		370885	Short Block	1
▽	1	369289	Cylinder Block Kit	1
▲	2	764468	Plug	2
▲	3	764785	Plug	10
▲	4	369237	Seal	2
▲	5	369171	Screw	10
▲	6	369182	Shaft	1
▲	7	369140	Bushing	1
▲	8	369238	Seal	4
▲	9	369036	Plug	3
▲	10	764469	Plug	4
▲	11	764465	Plug	1
	12	21796	Gasket	1
	13	369201	Dowel	2
	14	369032	Seal	1
	15	764836	Plug	1
	16	369209	Adaptor	1
	17	369296	Connection	2
	18	369019	Screw	4
	19	369295	Plate	1

Fig. 2 - Crankshaft and Piston Group

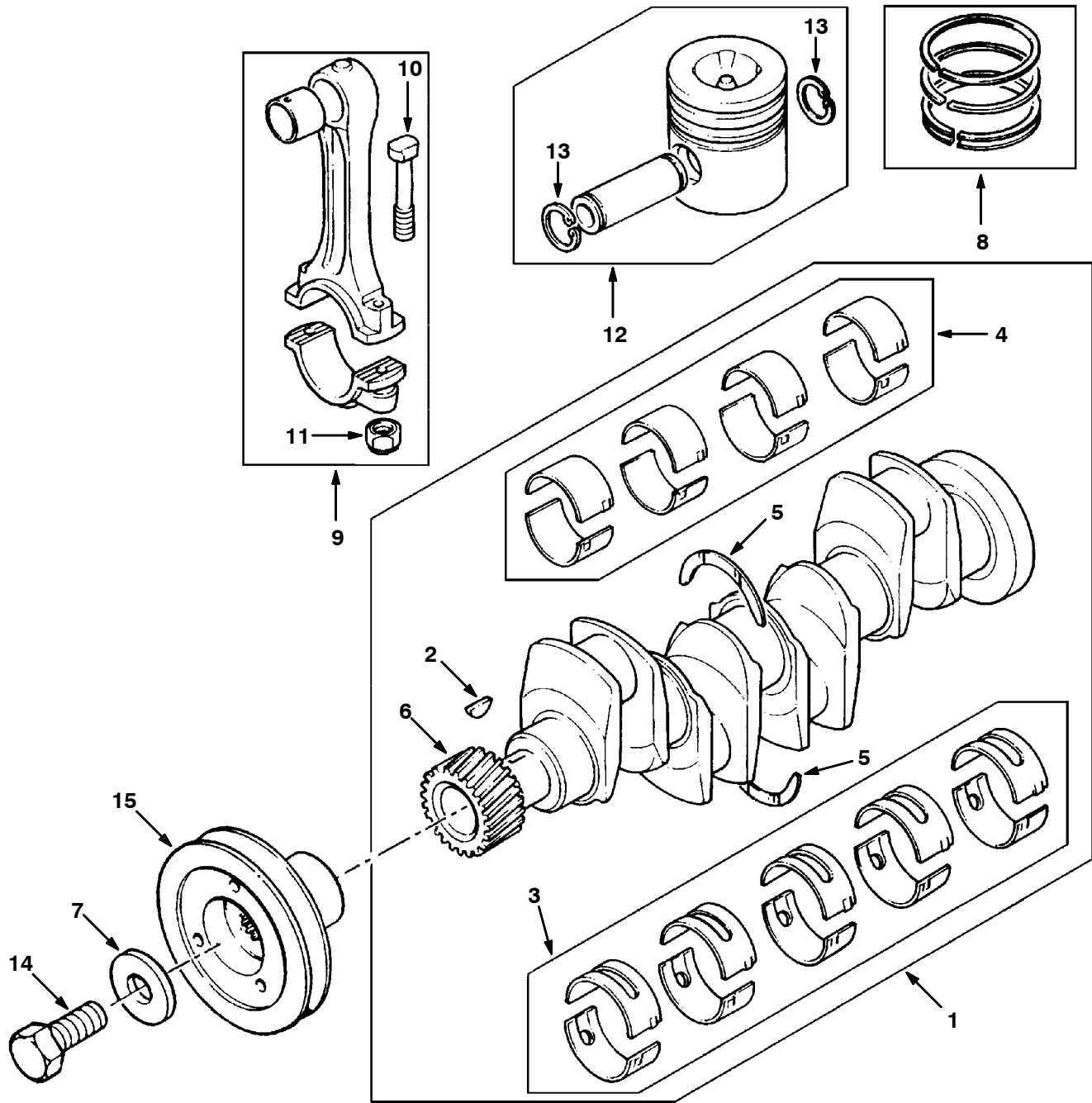


Fig. 2 - Crankshaft and Piston Group

	Ref.	Part No.	Description	Qty.
▽	1	369293	Rockershaft	1
▲	2	764402	Key	1
▲	3	369286	Bearing Kit	1
▲	4	369287	Bearing Kit	1
▲	5	369137	Bushing	2
▲	6	369145	Gear, Crankshaft	1
	7	369207	Washer	1
	8	369298	Kit, Piston Ring	4
▽	9	369297	Kit, Conrod	4
▲	10	369172	Screw (Replaced by None)	2
▲	11	369208	Nut	2
▽	12	369284	Piston Kit	4
▲	13	369132	Clip	2
	14	369169	Screw	1
	15	369143	Pulley, Crank	1

Fig. 3 - Cylinder Head Group

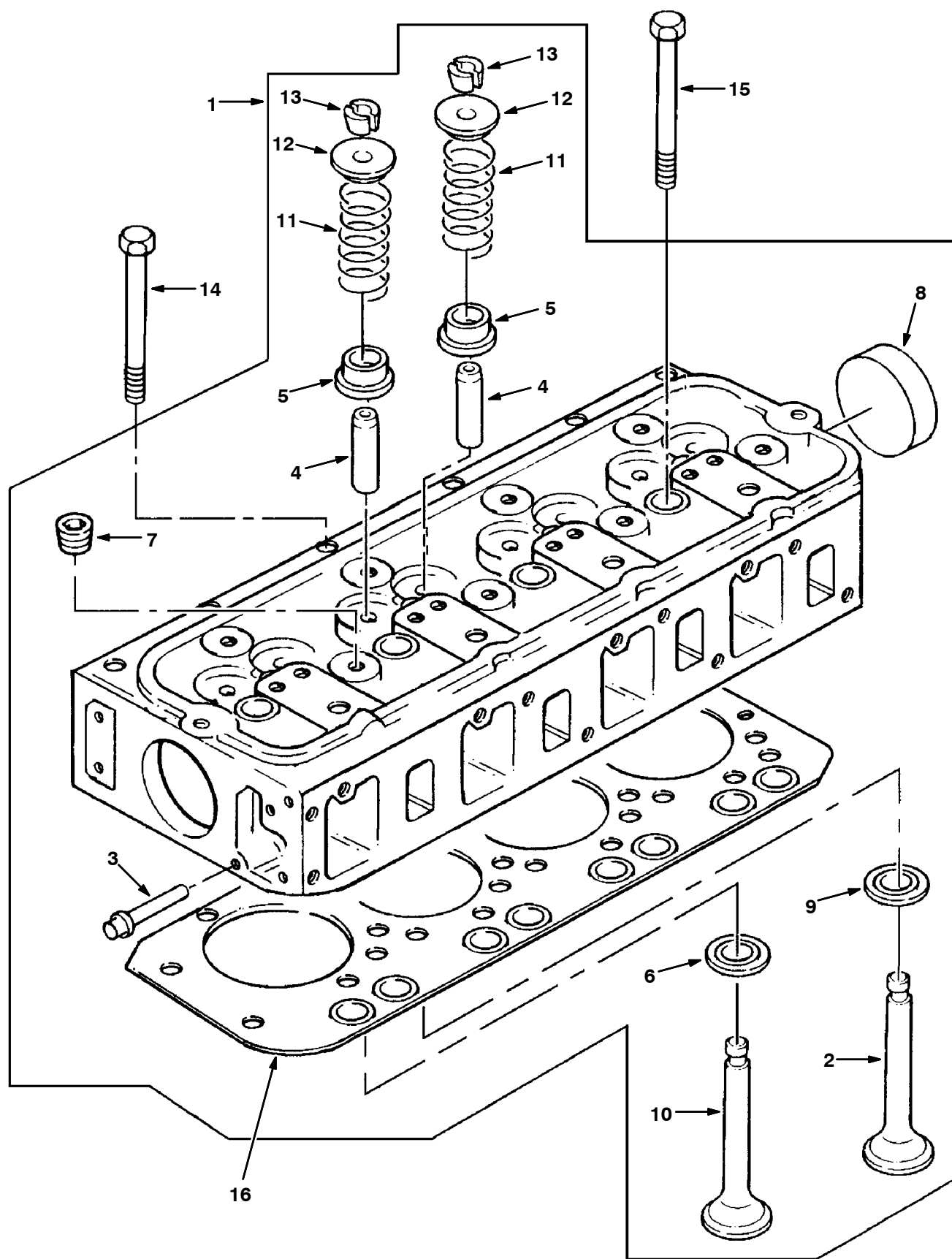


Fig. 3 - Cylinder Head Group

	Ref.	Part No.	Description	Qty.
▽	1	369290	Cylinder Head Kit	1
▲	2	369150	Inlet Valve	4
▲	3	764466	Plug	1
▲	4	369200	Guide	8
▲	5	369261	Seal	8
▲	6	369197	Insert	4
▲	7	764425	Plug	4
▲	8	764469	Plug	2
▲	9	369198	Insert	4
▲	10	369149	Exhaust Valve	4
▲	11	369159	Spring	8
▲	12	369206	Cap	8
▲	13	369153	Cotter	16
	14	369170	Screw	14
	15	369173	Screw	4
	16	369228	Head Gasket	1

Fig. 4 - Rocker Shaft Group

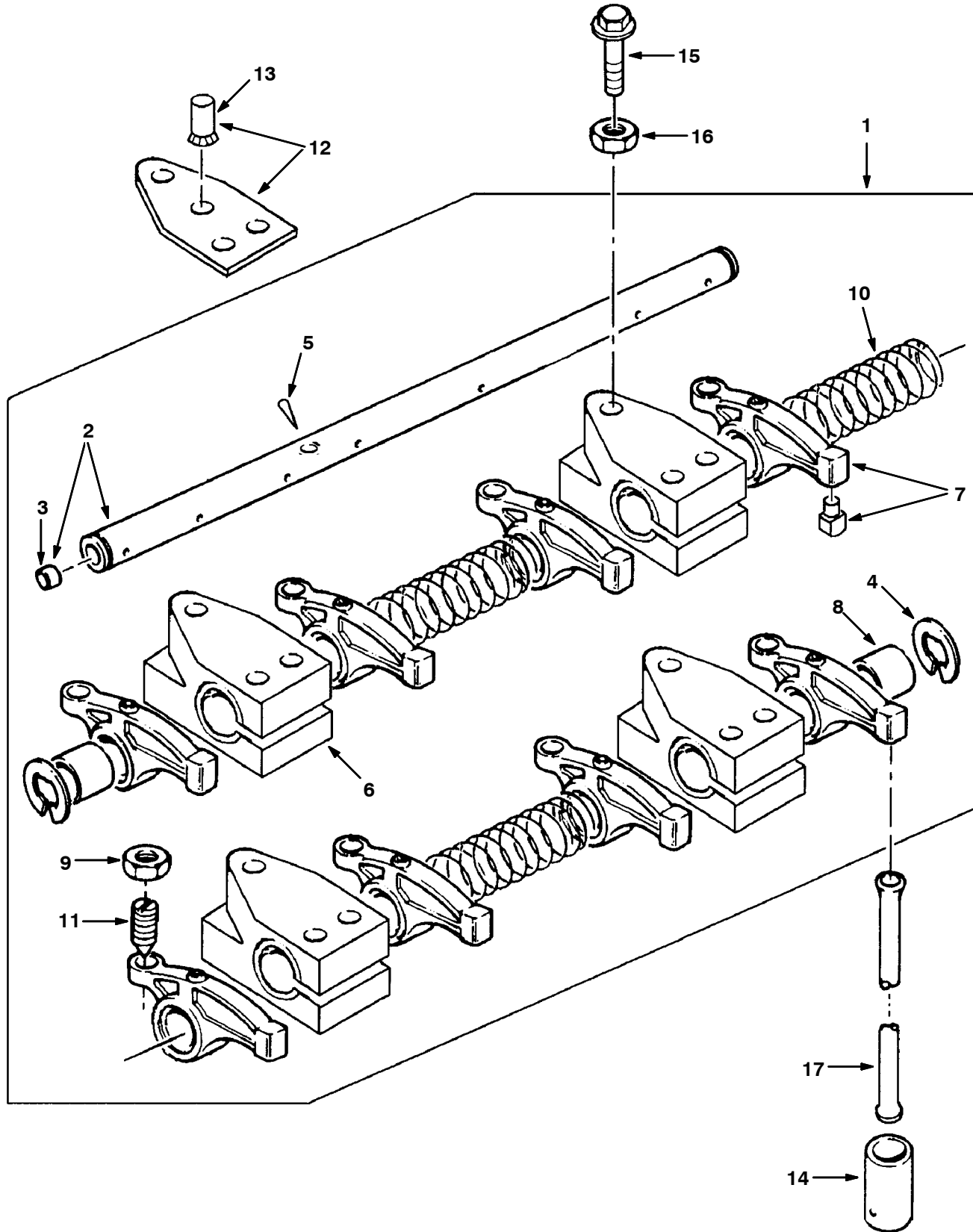


Fig. 4 - Rocker Shaft Group

	Ref.	Part No.	Description	Qty.
▽	1	369292	Rockershaft Assy	1
▲▽	2	369294	Rocker Shaft	1
▲▲	3	369002	Plug	2
▲	4	369134	Circlip	2
▲	5	369005	Pin	1
▲	6	369249	Bracket	4
▲	7	369254	Lever	8
▲	8	369195	Spacer	2
▲	9	369023	Nut	8
▲	10	369160	Spring	3
▲	11	369166	Screw	8
▽	12	369243	Plate	1
▲	13	369187	Stud	1
	14	369151	Tappet	8
	15	369016	Screw	8
	16	764421	Nut	4
	17	369152	Push Rod	8

Fig. 5 - Timing Gear, Cover and Camshaft Group

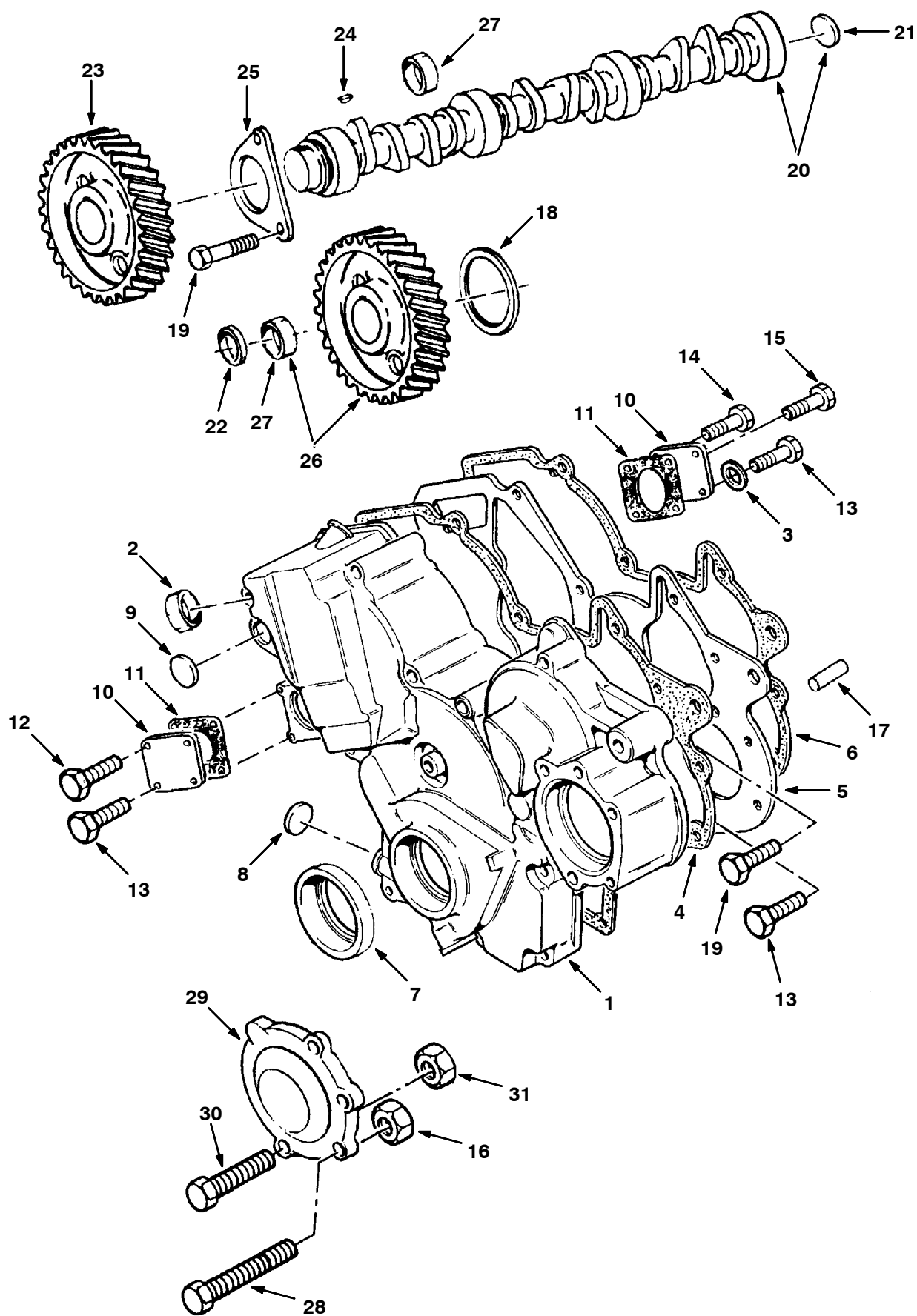
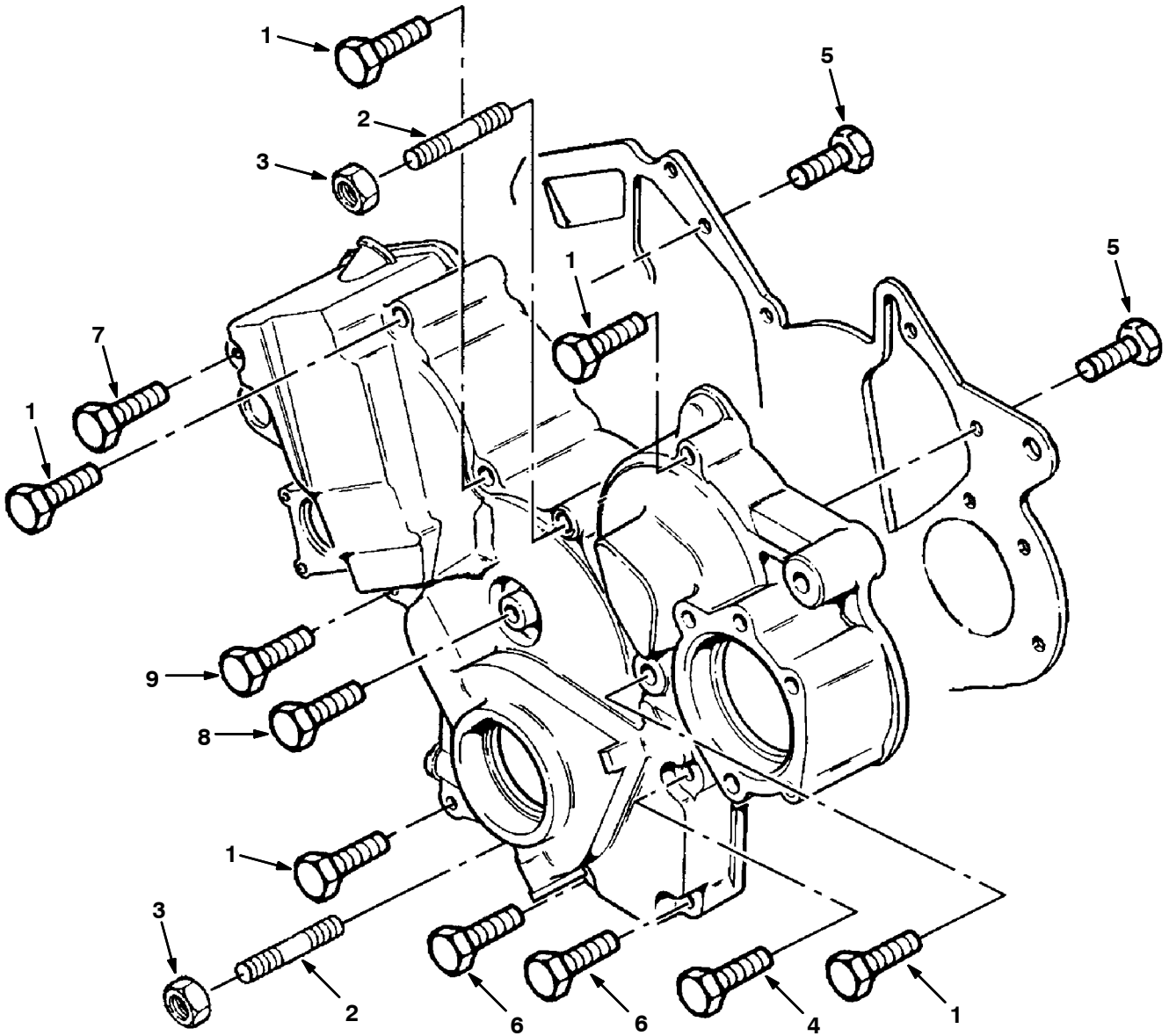


Fig. 5 - Timing Gear, Cover and Camshaft Group

Ref.	Part No.	Description	Qty.	
1	369257	Timing Gear Cover	1	
2	369205	Sleeve	1	
3	369004	Washer	2	
4	369235	Joint	1	
5	369224	Plate	1	
6	369236	Joint	1	
7	369031	Seat	1	
8	369035	Plug	3	
9	369174	Plug	1	
10	369217	Plate	1	
11	369232	Joint	1	
12	369020	Screw	1	
13	764408	Screw	8	
14	764409	Screw	1	
15	764575	Screw	2	
16	764422	Nut	2	
17	369196	Dowel	2	
18	369025	O-Ring	1	
19	764653	Screw	2	
▽	20	393665	Camshaft	1
▲	21	369037	Plug	1
▲		369140	Bushing (Not Shown)	1
	22	369007	Washer	2
	23	369146	Gear, Camshaft	1
	24	369260	Woodruff Key	1
	25	369141	Cover	1
▽	26	369251	Idler Gear	1
▲	27	369138	Bushing	2
	28	764418	Screw	2
	29	369299	Cover	1
	30	370806	Screw	2
	31	764421	Nut	2

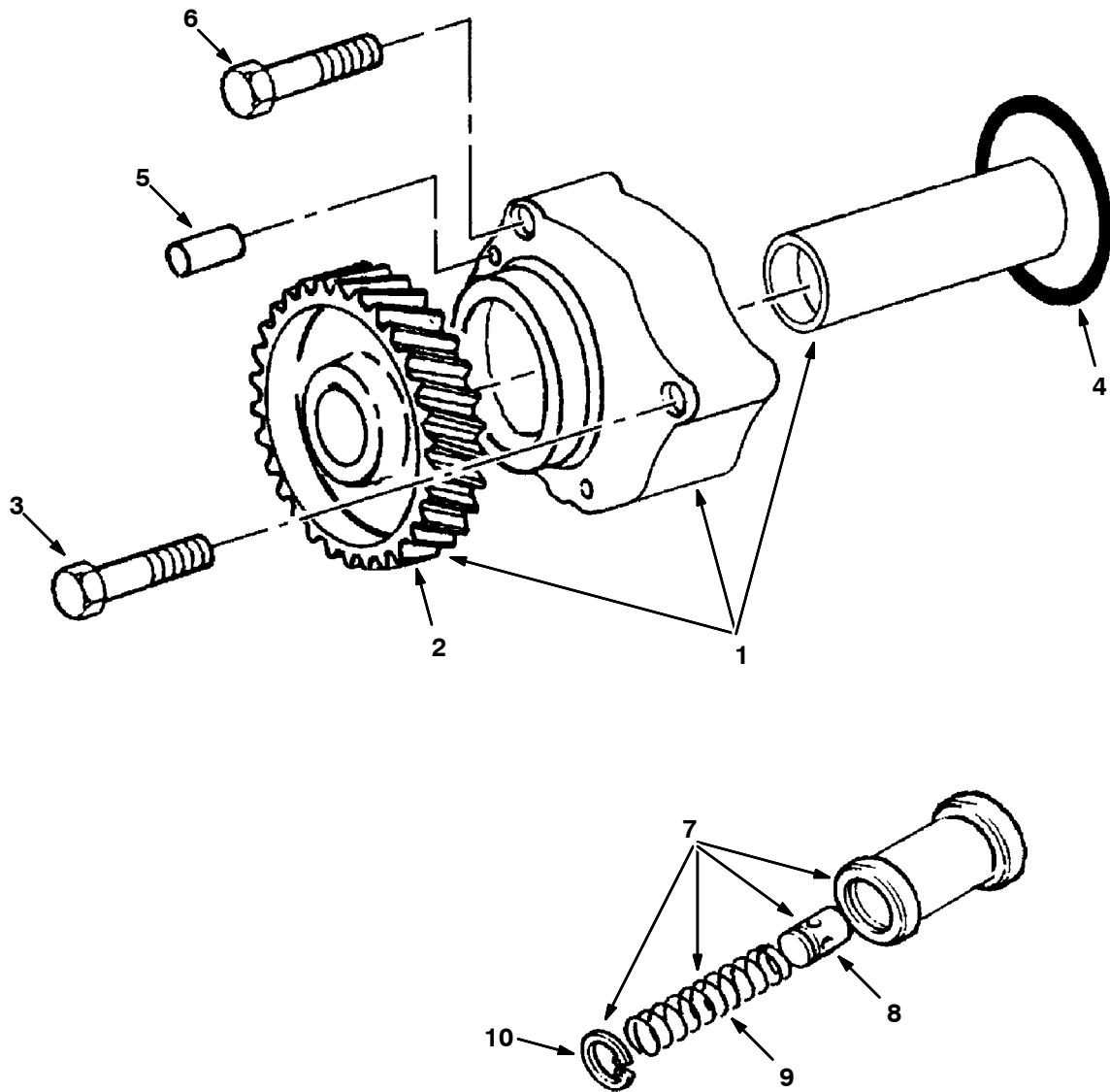
Fig. 6 - Timing Gear Cover Mount Group



351097 - D

Ref.	Part No.	Description	Qty.
1	764560	Screw	5
2	763887	Stud	2
3	764421	Nut	2
4	764620	Screw	1
5	764409	Screw	2
6	764412	Screw	2
7	369018	Screw	1
8	764575	Screw	1
9	764414	Screw	1

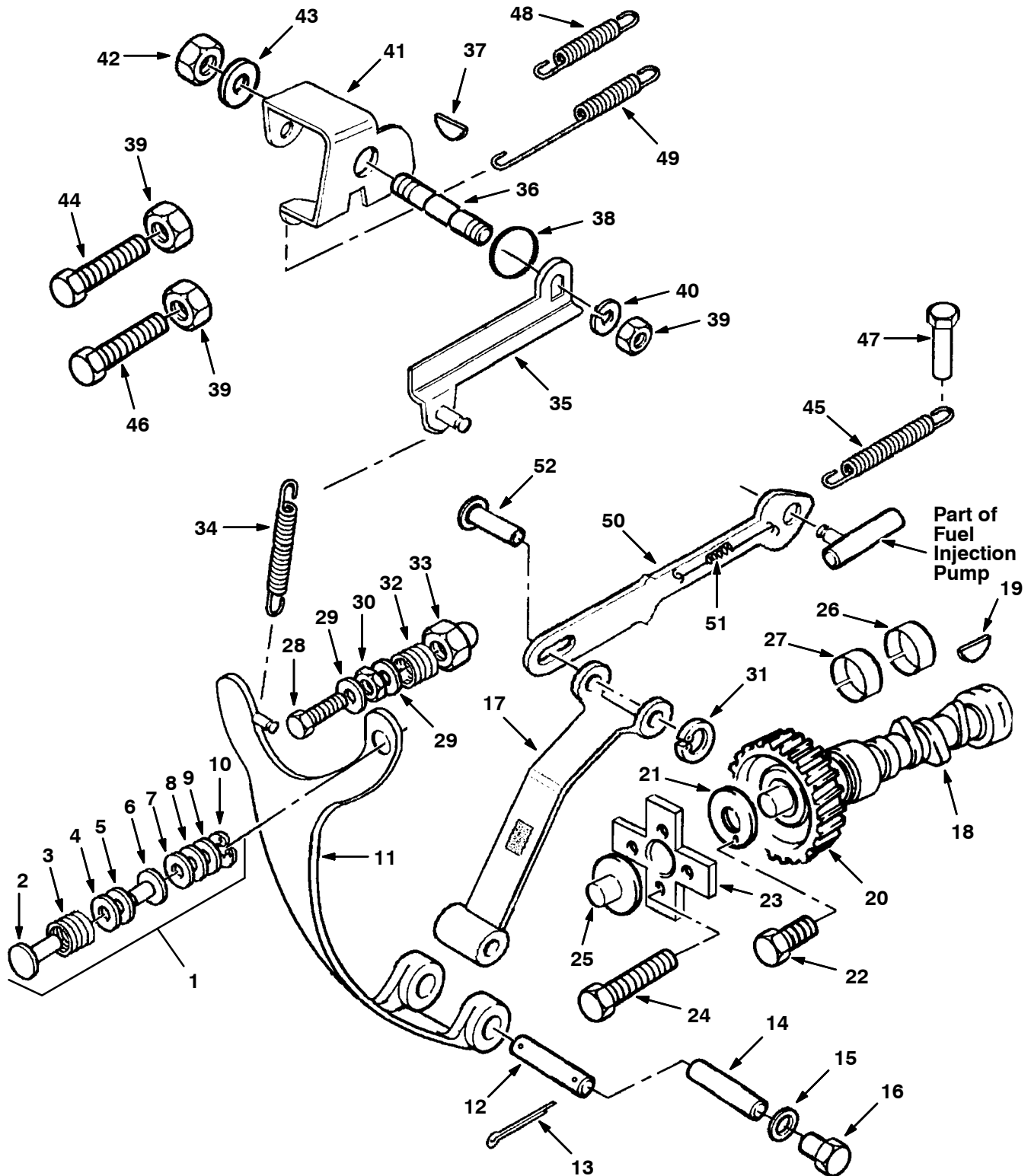
Fig. 7 - Oil Pump Group



351101 - D

	Ref.	Part No.	Description	Qty.
▽	1	369255	Oil Pump	1
▲	2	369144	Gear	1
	3	369012	Screw	1
	4	369027	O-Ring	1
	5	369179	Dowel	2
	6	764707	Screw	2
▽	7	369256	Valve	1
▲	8	369181	Plunger	1
▲	9	369157	Spring	1
▲	10	369133	Circlip	1

Fig. 8 - Auxiliary Drive Group



351099 - D

Ref.	Part No.	Description	Qty.	
▽	1	369282	Adjuster	1
▲	2	369183	Pin	1
▲	3	369155	Spring	1

PERKINS ENGINE BREAKDOWN, DIESEL

Fig. 8 - Auxiliary Drive Group

Ref.	Part No.	Description	Qty.	
▲	4	369191	Shim	1
▲	5	369190	Shim	1
▲	6	369272	Adapter	1
▲	7	369188	Shim	1
▲	8	369189	Shim	1
▲	9	369192	Shim	1
▲	10	369135	Circlip	1
	11	369241	Arm	1
	12	369175	Pin	1
	13	369213	Pin	2
	14	369176	Pin	1
	15	369194	Washer	1
	16	369038	Screw	1
	17	369242	Arm	1
	18	369148	Camshaft	1
	19	369260	Woodruff Key	1
	20	369147	Gear, Pump	1
	21	369177	Plate	1
	22	764812	Screw	1
	23	369253	Weight	1
	24	369015	Screw	4
	25	369142	Slider	1
	26	369040	Bearing	1
	27	369039	Ball Bearing	1
	28	369165	Screw	1
	29	369193	Washer	3
	30	369203	Nut	1
	31	369135	Circlip	1
	32	369268	Spring	1
	33	369186	Nut	1
	34	369269	Spring	1
	35	369279	Arm	1
	36	369167	Shaft	1
	37	369001	Woodruff Key	1
	38	369026	O-Ring	2
	39	369202	Nut	3
	40	369008	Washer	1
	41	369250	Lever	1
	42	369204	Nut	1
	43	369006	Washer	1
	44	369168	Screw	1
	45	369162	Spring	1
	46	369022	Screw	1
	47	369184	Pin	1
	48	369163	Spring	1
	49	369158	Spring	1
	50	370807	Link	1
	51	369162	Spring	1
	52	369270	Pin	1

Fig. 9 - Fuel Injection Pipe Group

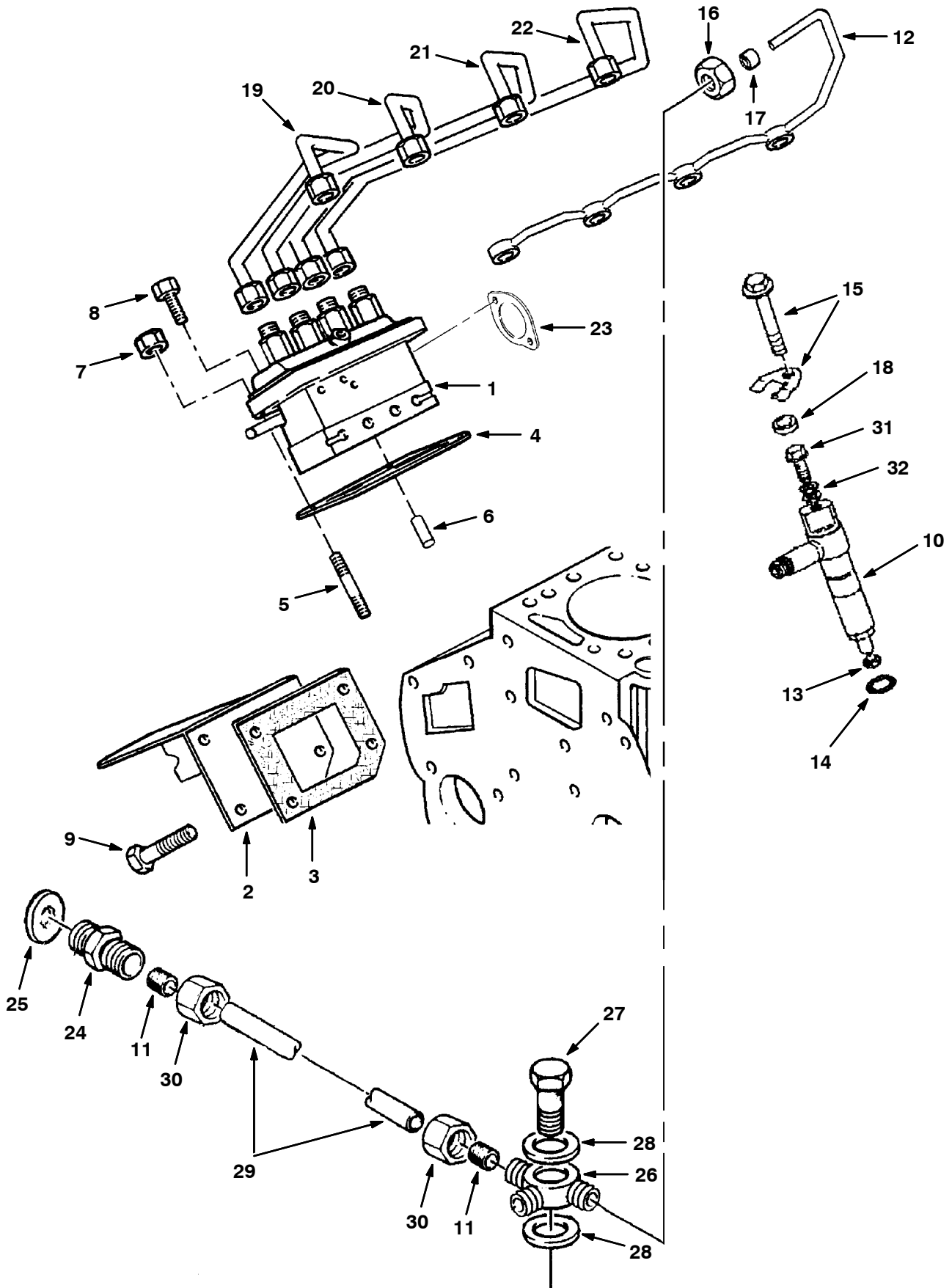
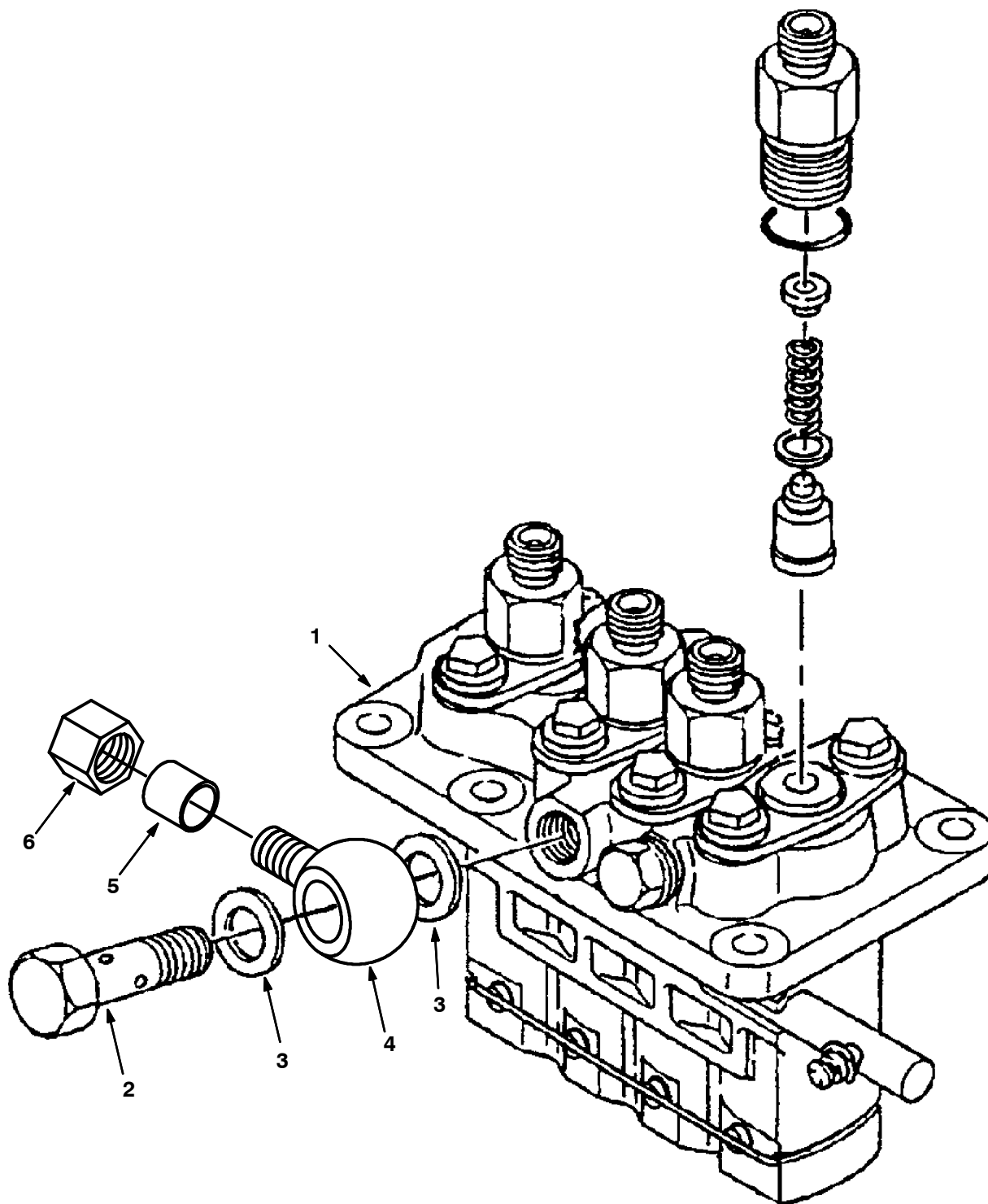


Fig. 9 - Fuel Injection Pipe Group

Ref.	Part No.	Description	Qty.
1	369262	Injection Pump (See Breakdown)	1
2	369226	Cover	1
3	369233	Joint	1
4	388548	Vr, Shim Kit, Pump, Injection [Pk]	1
5	764561	Stud	2
6	369178	Dowel	2
7	764421	Nut	2
8	764794	Screw	4
9	764812	Screw	4
10	369263	Atomiser	4
11	369210	Olive .36Od .25Id	2
12	369277	Leak-Off Pipe	1
13	369259	Washer	4
14	369030	O-Ring	4
15	369281	Clamp	4
16	764432	Nut	1
17	764433	Olive	1
18	369271	Spacer	4
19	369273	Inj Pipe #1 Cyl	1
20	369274	Inj Pipe #2 Cyl	1
21	369275	Inj Pipe #3 Cyl	1
22	369276	Inj Pipe #4 Cyl	1
23	369231	Joint	1
24	370811	Connection	1
25	370812	Washer	1
26	369154	Connection	1
27	37828	Bolt	1
28	764802	Washer	2
29	370809	Pipe, Fuel	1
30	370810	Nut, Union	2
31	393675	Bolt	1
32	393676	Gasket	2

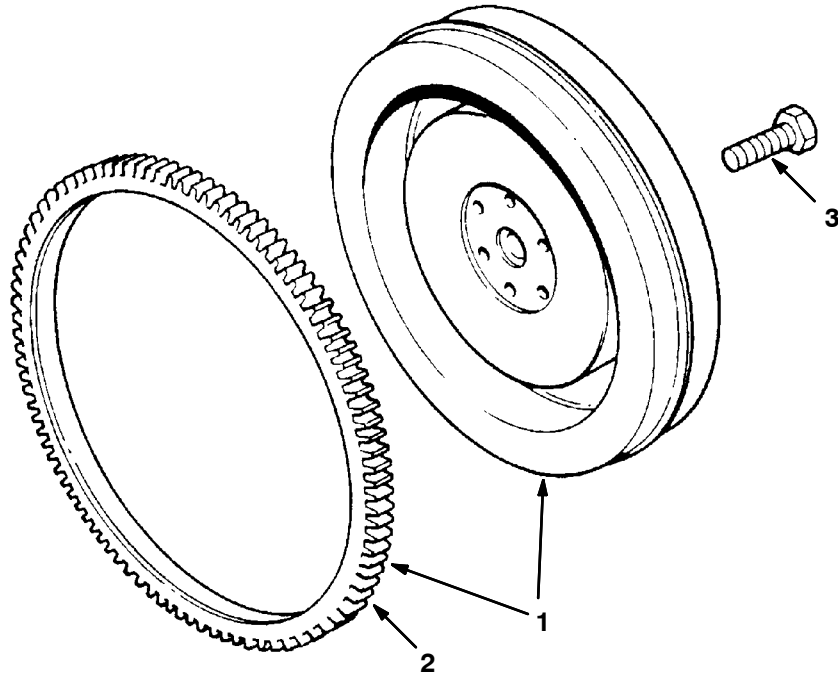
Fig. 10 - Fuel Injection Pump Breakdown



351085 - D

Ref.	Part No.	Description	Qty.	
▽	1	369262	Injection Pump	1
▲	2	369089	Bolt	1
▲	3	369090	Gasket	2
	4	370814	Connection	1
	5	764804	Olive	1
	6	764803	Nut	1

Fig. 11 - Flywheel Housing Group



351107 - 1550, D

	Ref.	Part No.	Description	Qty.
▽	1	370815	Flywheel Assy	1
▲	2	37973	Gear, Ring	1
	3	370816	Screw	8

Fig. 12 - Lubricating Oil Sump Group

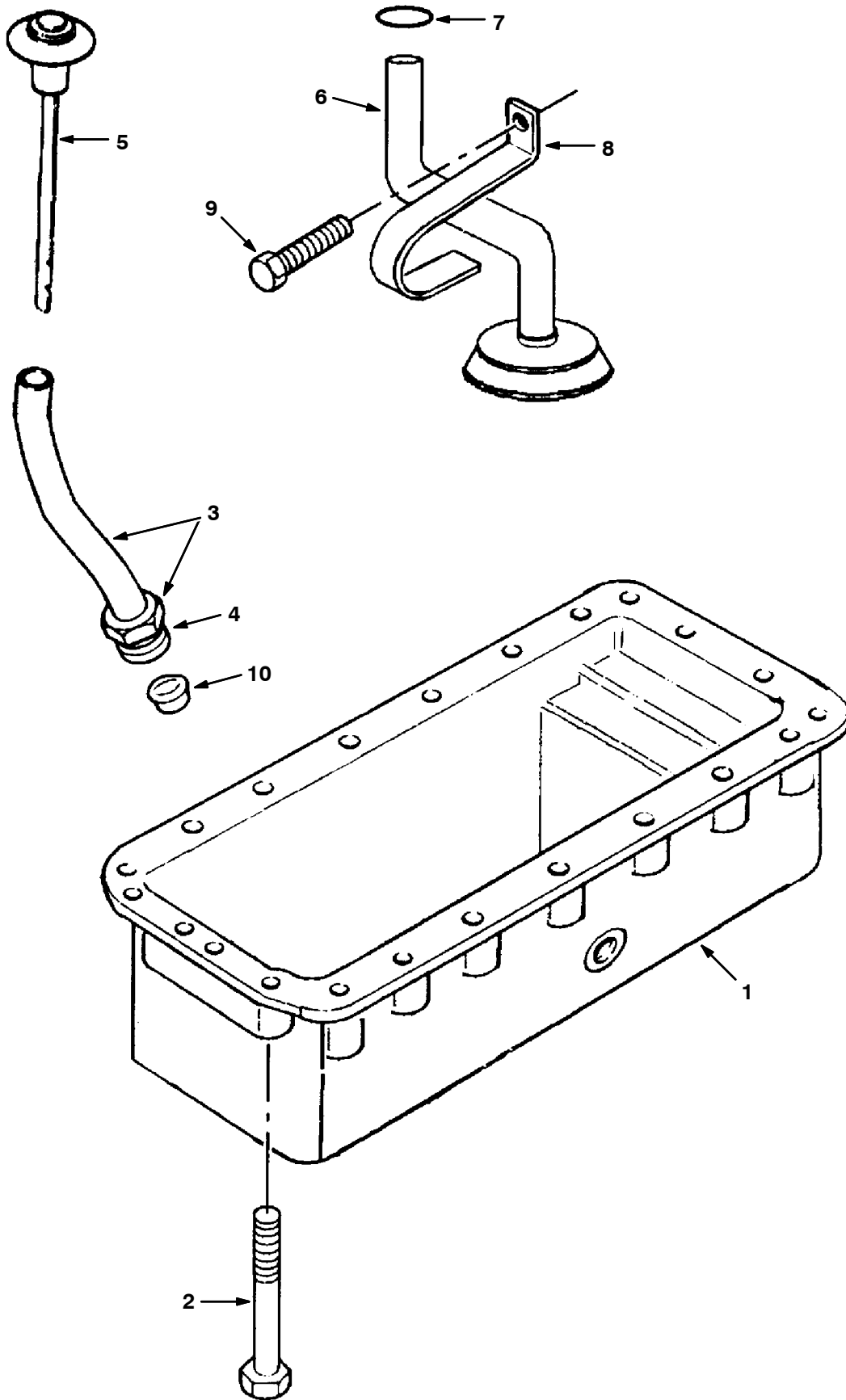


Fig. 12 - Lubricating Oil Sump Group

	Ref.	Part No.	Description	Qty.
▽		374229	Pan Kit, Oil, Replmt [550d/1550d]	1
▲	1	374147	Sump	1
▲	2	374148	Screw	24
▽	3	369216	Tube Assy	1
▲	4	764716	Nut	1
	5	369164	Dipstick	1
	6	370821	Pipe, Oil	1
	7	370819	O-Ring	1
	8	370820	Clip	1
	9	765049	Screw	1
	10	764717	Olive	1

Fig. 13 - Cylinder Head Cover Group

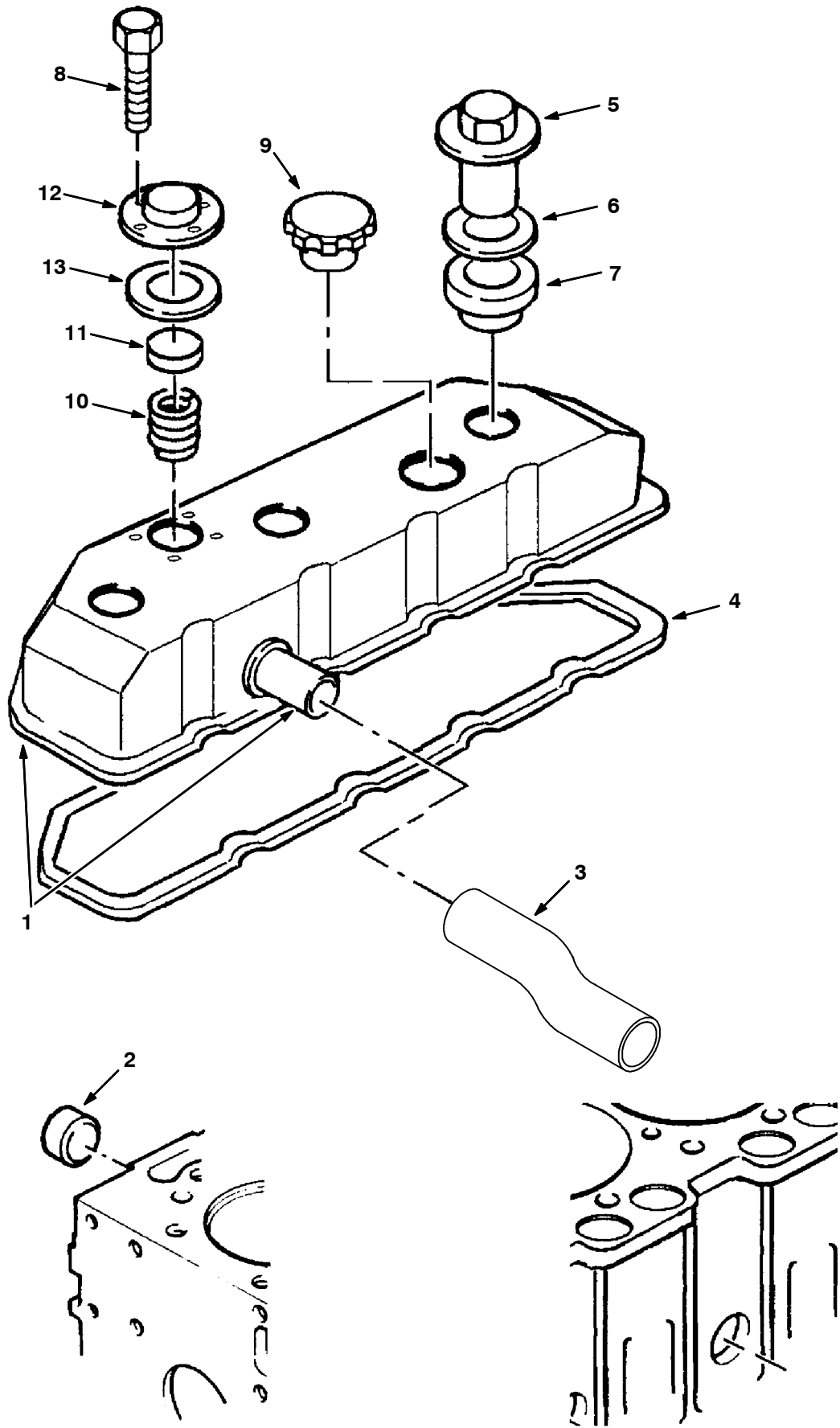


Fig. 13 - Cylinder Head Cover Group

Ref.	Part No.	Description	Qty.
1	369240	Cylinder Head Copy	1
2	764403	Plug	1
3	370823	Hose	1
4	369227	Joint	1
5	369185	Nut	3
6	369003	Washer	3
7	369211	Seal	3
8	369010	Screw	4
9	369212	Cap	1
10	369156	Spring	1
11	369199	Plate	1
12	369245	Cover	1
13	369239	Seal	1

Fig. 14 - Water Pump and Thermostat Group

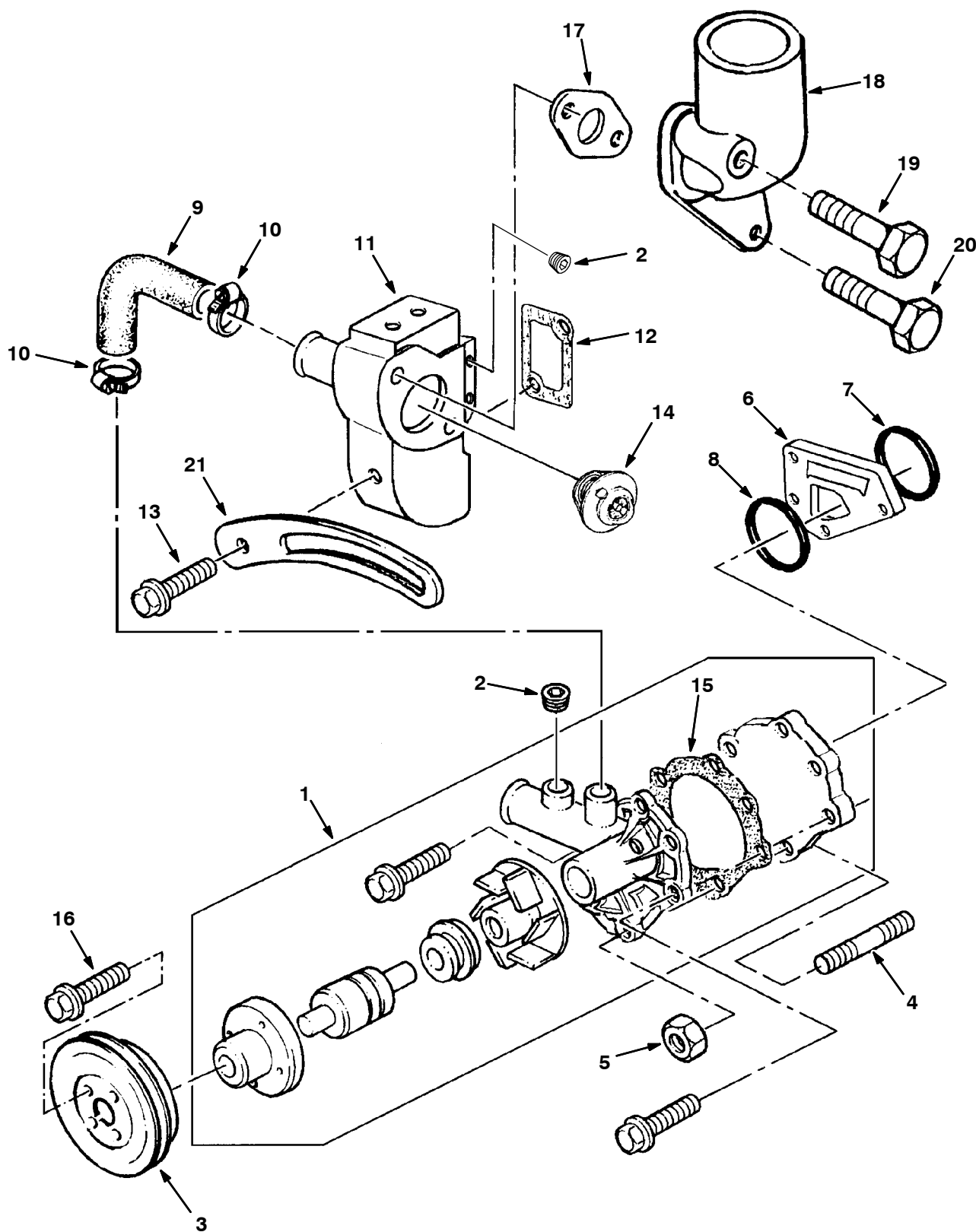
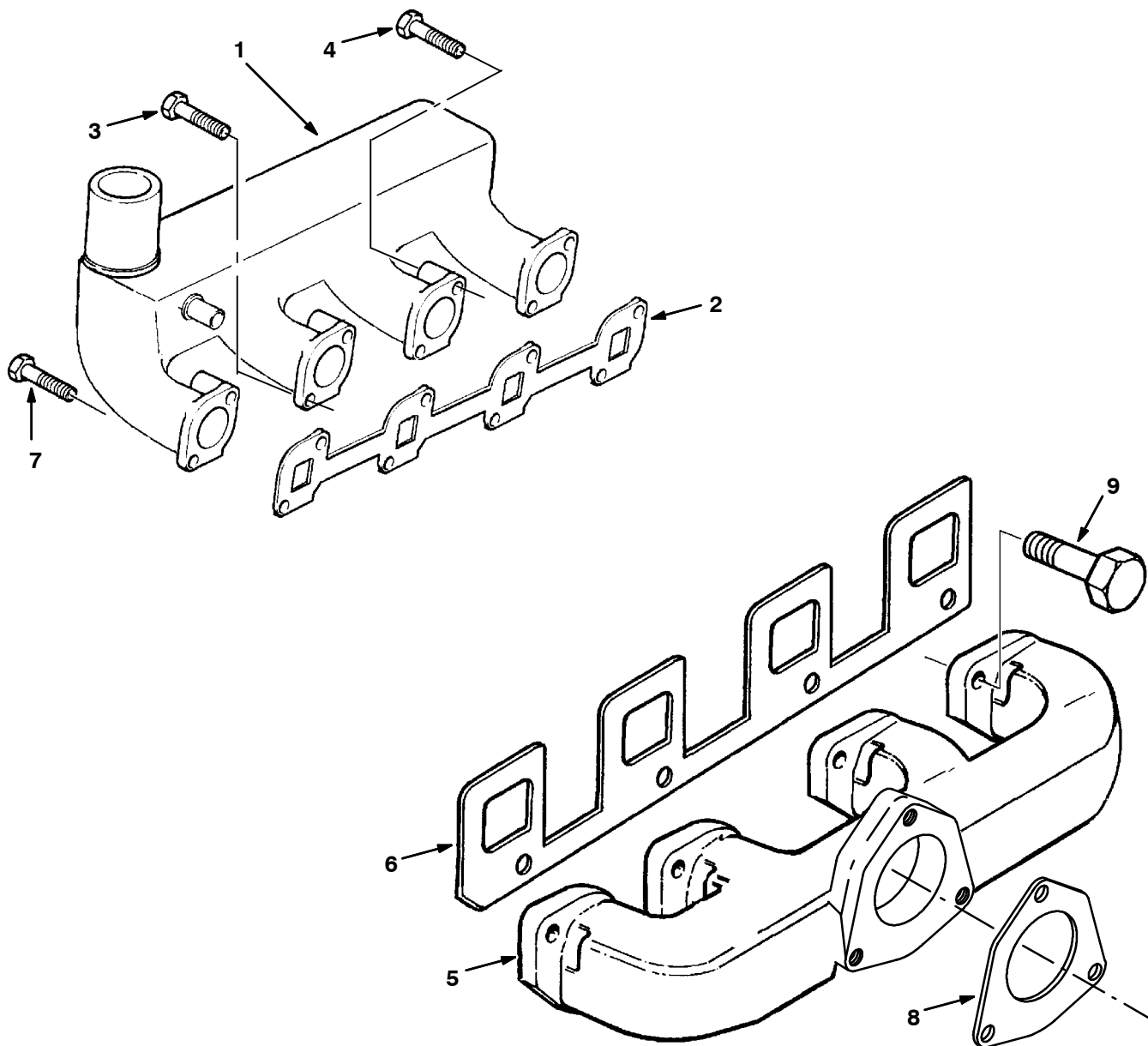


Fig. 14 - Water Pump and Thermostat Group

Ref.	Part No.	Description	Qty.
1	369280	Water Pump	1
2	764517	Plug	2
3	370825	Pulley	1
4	369014	Stud	4
5	764421	Nut	4
6	369244	Spacer	1
7	369029	O-Ring	1
8	369028	O-Ring	1
9	369214	Hose	1
10	369000	Clip	2
11	369247	Housing	1
12	369234	Gasket	1
13	764769	Screw	1
14	369034	Thermostat	1
15	370886	Gasket	1
16	764812	Screw	4
17	369230	Gasket	1
18	369246	Connection	1
19	764614	Screw	1
20	764556	Screw	1
21	762094	Lever	1

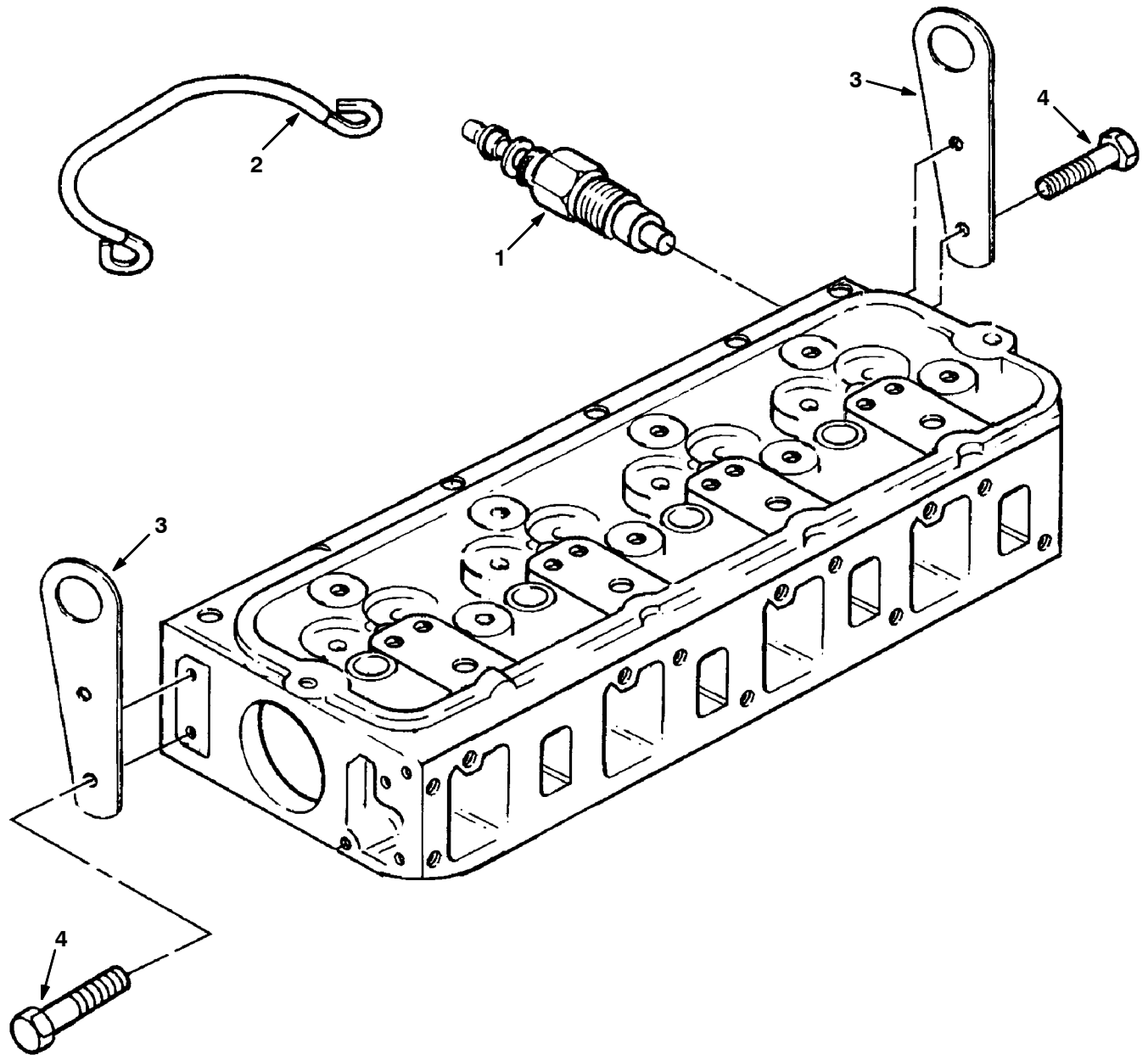
Fig. 15 - Manifold Group



351115 - D

Ref.	Part No.	Description	Qty.
1	370826	Manifold, Intake	1
2	369229	Joint	1
3	764410	Screw	4
4	374148	Screw	3
5	369248	Exhaust Manifold	1
6	369278	Joint	1
7	370887	Screw	1
8	370827	Gasket	1
9	764620	Screw	8

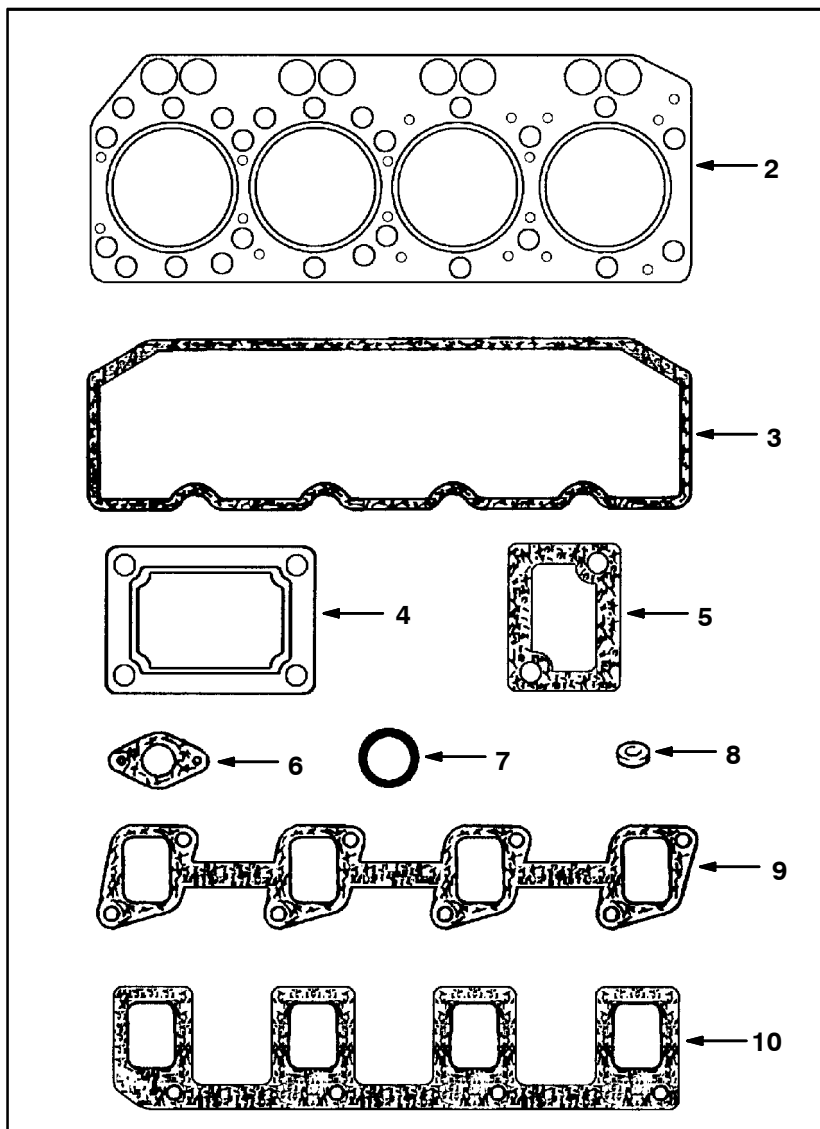
Fig. 16 - Glow Plug and Engine Lift Group



351117 - D

Ref.	Part No.	Description	Qty.
1	369131	Glow Plug	4
2	369258	Cable	3
3	369223	Plate	2
4	764408	Screw	4

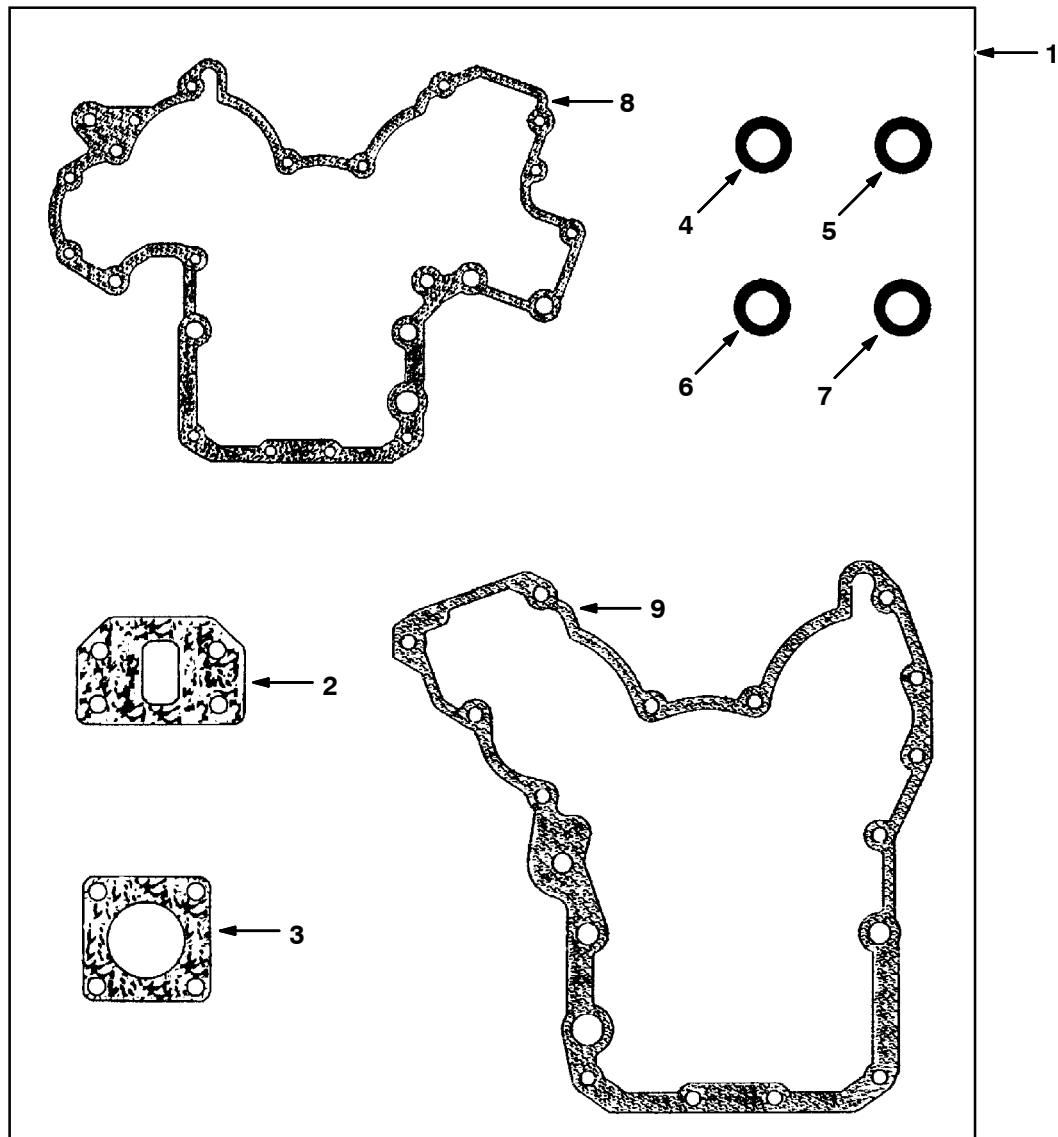
Fig. 17 - Top Joints and Gaskets Group



351119 - D

Ref.	Part No.	Description	Qty.	
▽	1	369285	Joint/Gasket	1
▲	2	369228	Head Gasket	1
▲	3	369227	Joint	1
▲	4	369233	Joint	1
▲	5	369234	Gasket	1
▲	6	369230	Joint	1
▲	7	369030	O-Ring	4
▲	8	369259	Washer	4
▲	9	369229	Joint	1
▲	10	369278	Joint	1

Fig. 18 - Bottom Joints and Gaskets Group



351121 - D

Ref.	Part No.	Description	Qty.	
▽	1	369283	Joint/Gasket Kit	1
▲	2	21796	Gasket	1
▲	3	369232	Joint	1
▲	4	369027	O-Ring	1
▲	5	369009	Washer	1
▲	6	369028	O-Ring	1
▲	7	369029	O-Ring	1
▲	8	369235	Joint	1
▲	9	369236	Joint	1

SECTION 16

Contents	Page
Fig. 1 - Cylinder Block Group	16-2
Fig. 2 - Crankshaft and Piston Group	16-4
Fig. 3 - Cylinder Head and Cover Group	16-6
Fig. 4 - Valve and Rocker Arm Group	16-8
Fig. 5 - Camshaft Group	16-9
Fig. 6 - Front Housing and Gear Group	16-10
Fig. 7 - Flywheel Housing and Starter Group .	16-12
Fig. 8 - Auxiliary Drive Group	16-13
Fig. 9 - Oil Pan Group	16-14
Fig. 10 - Water Pump and Thermostat Group .	16-16
Fig. 11 - Cooler Group	16-18
Fig. 12 - Manifold Group	16-20
Fig. 13 - Fuel Group	16-22
Fig. 14 - Fumes Disposal Group	16-24
Fig. 15 - Alternator Group	16-26
Fig. 16 - Glow Plug Group	16-27

Fig. 1 - Cylinder Block Group

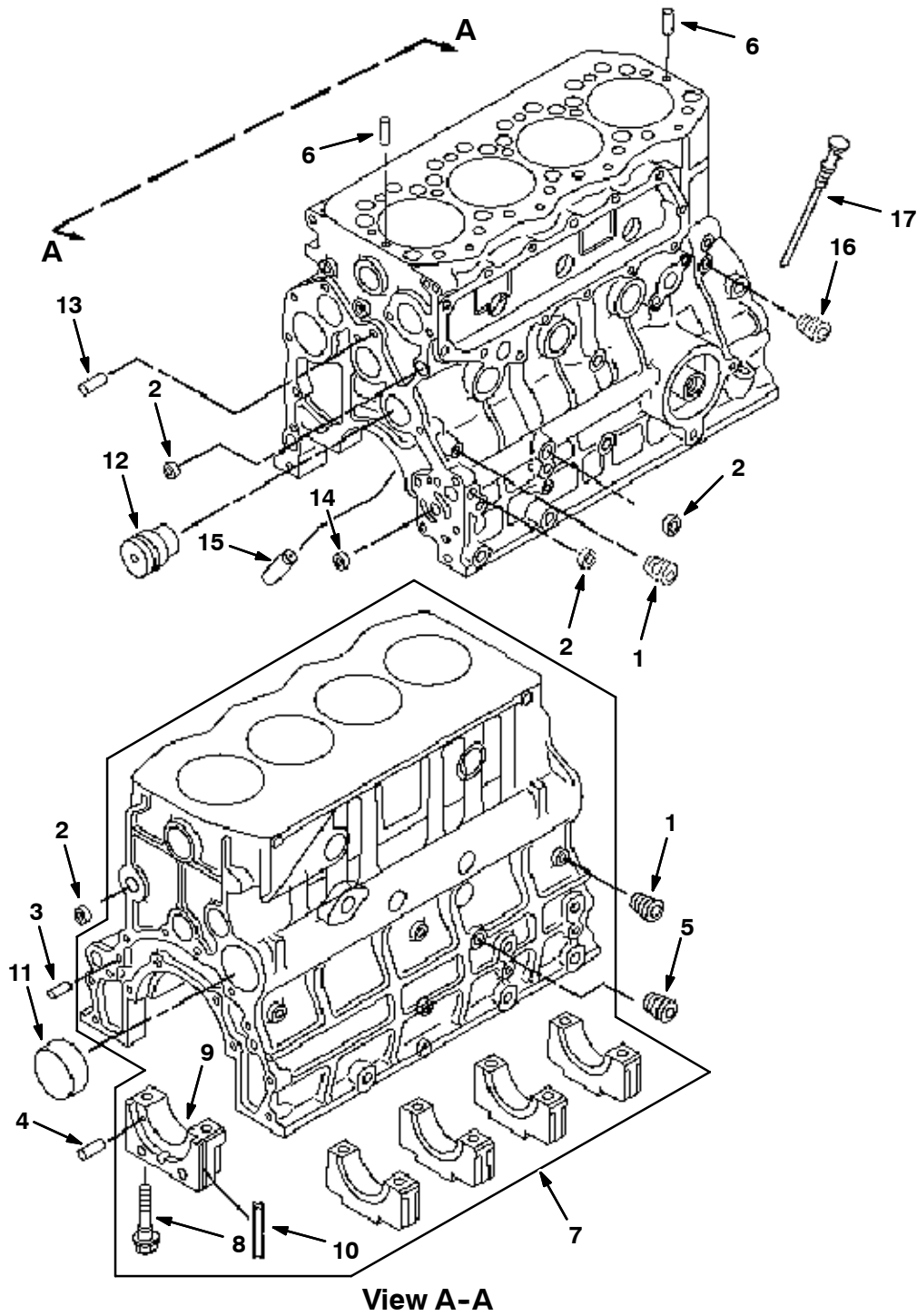


Fig. 1 - Cylinder Block Group

Ref.	Part No.	Description	Qty.	
1	372706	Plug	5	
2	372707	Cap	6	
3	372708	Pin	2	
4	372709	Pin, Spring	6	
5	372710	Plug	1	
6	372711	Pin	2	
▽	7	372712	Block Group, Cyl	1
▲	8	372713	Screw	10
▲	9	372714	Cap	10
▲	10	372715	Seal	2
11	372716	Plug	1	
12	372717	Shaft, Idler	1	
13	372718	Pin	2	
14	372719	Bushing	1	
15	372720	Tube, Cooling, Oil	4	
16	372721	Plug, Coolant, Eng	1	
17	372818	Dipstick, Oil, Eng	1	
	372934	Seal, Dipstick	1	
	372935	Tube, Dipstick	1	
	372936	Guide, Dipstick	1	

Fig. 2 - Crankshaft and Piston Group

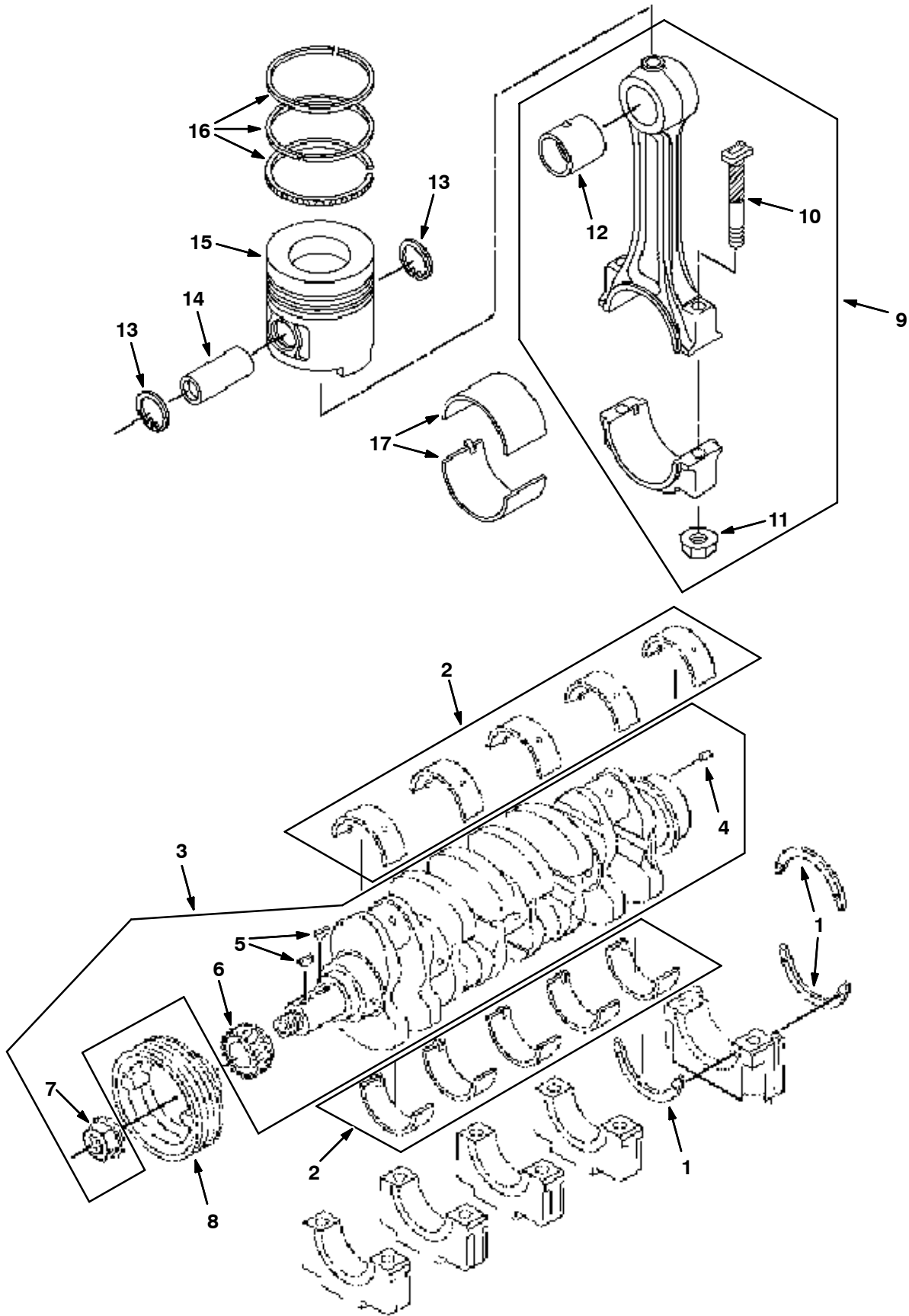


Fig. 2 - Crankshaft and Piston Group

Ref.	Part No.	Description	Qty.
1	372697	Plate, Thrust, Std	3
	372698	Plate, Thrust [+0.15mm]	3
	372702	Plate, Thrust [+0.30mm]	3
2	372699	Bearing, Rod, Connecting	1
	372700	Bearing [-0.50mm]	1
	372701	Bearing [-0.50mm]	1
	372702	Plate, Thrust [+0.30mm]	3
∇	3	372703 Crankshaft Assy	1
▲	4	372704 Pin	2
▲	5	372691 Key	2
▲	6	372705 Gear, 23 Tooth	1
▲	7	372797 Nut	1
	8	372798 Pulley, Crankshaft	1
∇	9	372737 Rod Assy, Connecting	4
▲	10	372738 Bolt, Rod, Connecting	2
▲	11	372739 Nut	2
▲	12	372740 Bushing	1
	13	372741 Ring	8
	14	372742 Pin	4
	15	372743 Piston, Std	4
	372744	Piston [+0.25mm]	4
	372745	Piston [+0.50mm]	4
16	372746	Ring Set, Piston, Std	4
	372747	Ring Set, Piston [+0.25mm]	4
17	372748	Ring Set, Piston [+0.50mm]	4
	372749	Bearing, Std	1
	372750	Bearing [-0.25mm]	1
	372751	Bearing [-0.50mm]	1
	372752	Bearing [-0.75mm]	1

Fig. 3 - Cylinder Head and Cover Group

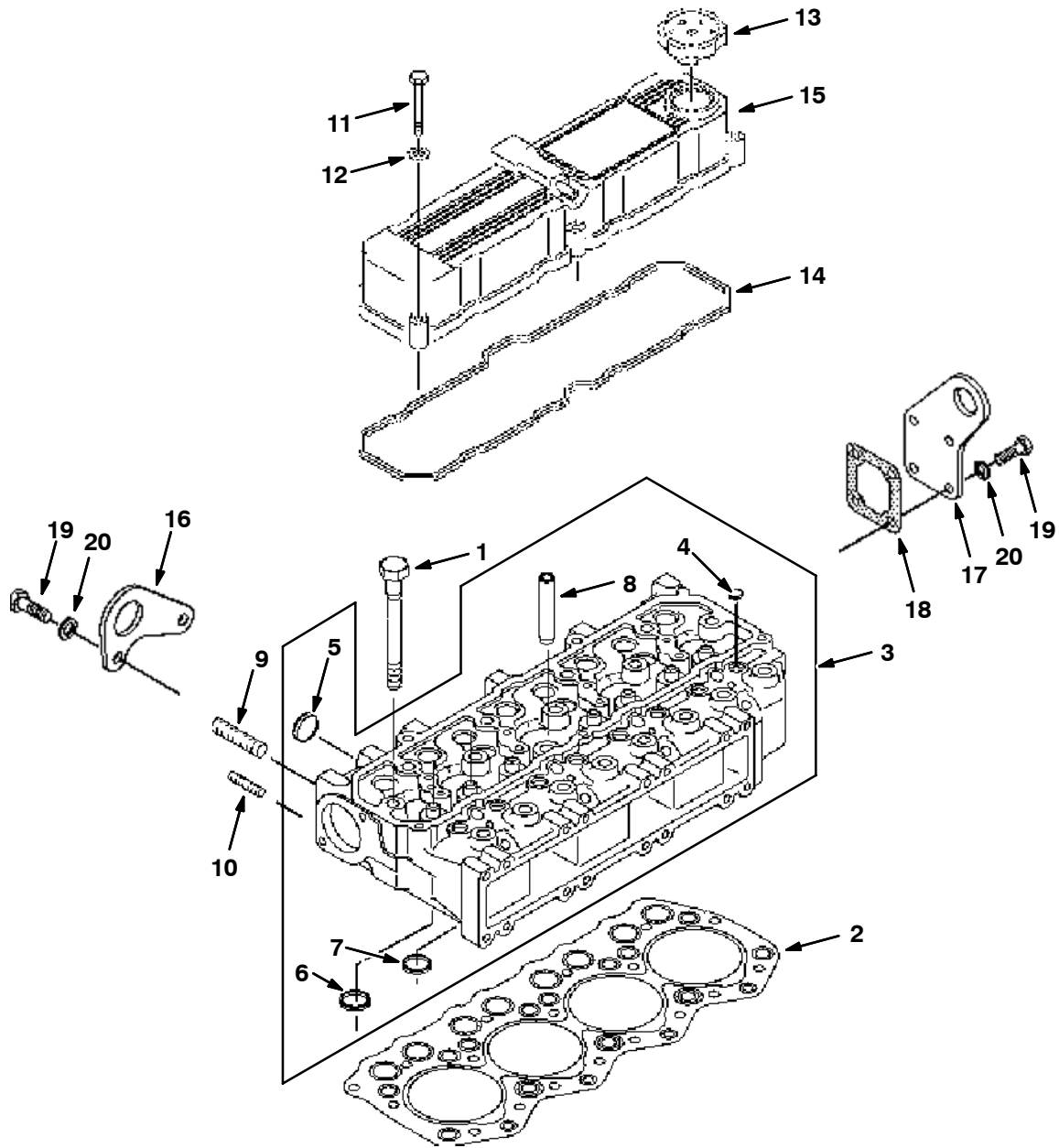
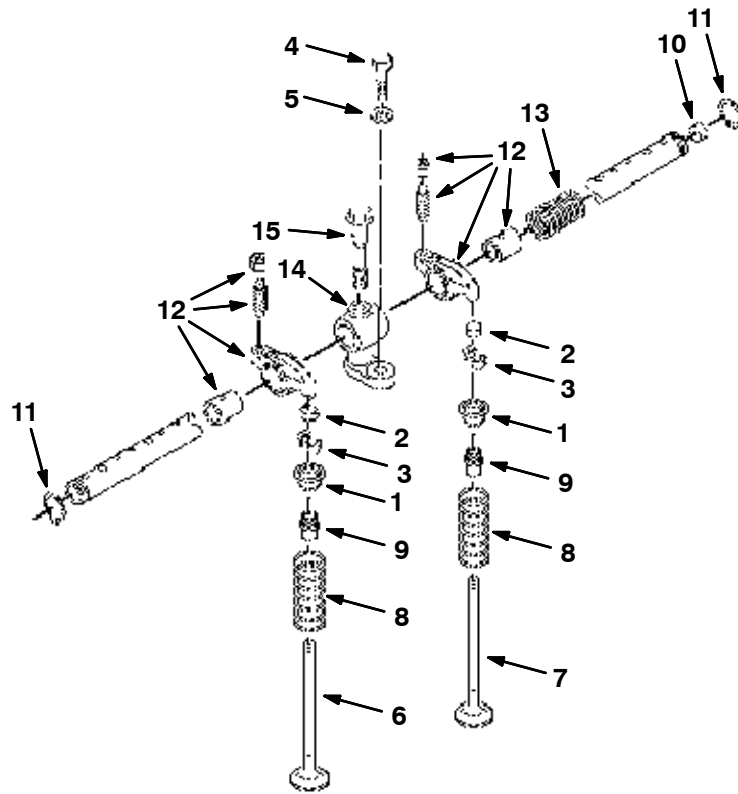


Fig. 3 - Cylinder Head and Cover Group

	Ref.	Part No.	Description	Qty.
	1	372722	Screw, Hex	17
	2	372665	Gasket, Head	1
▽	3	372723	Head Assy, Cylinder	1
▲	4	372724	Cap	8
▲	5	372725	Cap	4
▲	6	372726	Insert, Inlet	4
▲	7	372727	Insert, Exhaust	4
▲	8	372728	Guide	8
	9	372729	Stud	1
	10	372730	Stud	1
	11	41342	Screw, Hex, M8 X 1.25 X 40mm	5
	12	39349	Washer, 8.8mm X 16mm X 2mm	5
	13	372796	Cap, Filler, Oil	1
	14	372664	Gasket, Cover, Valve	1
	15	372696	Cover	1
	16	372938	Plate, Lift, Front	1
	17	372939	Plate, Lift, Rear	1
	18	372940	Gasket, Head, Rear	1
	19	16931	Screw, Hex, M8 X 1.25 X 20, 8.8	2
	20	32491	Washer, Flat, 0.31 Std	2

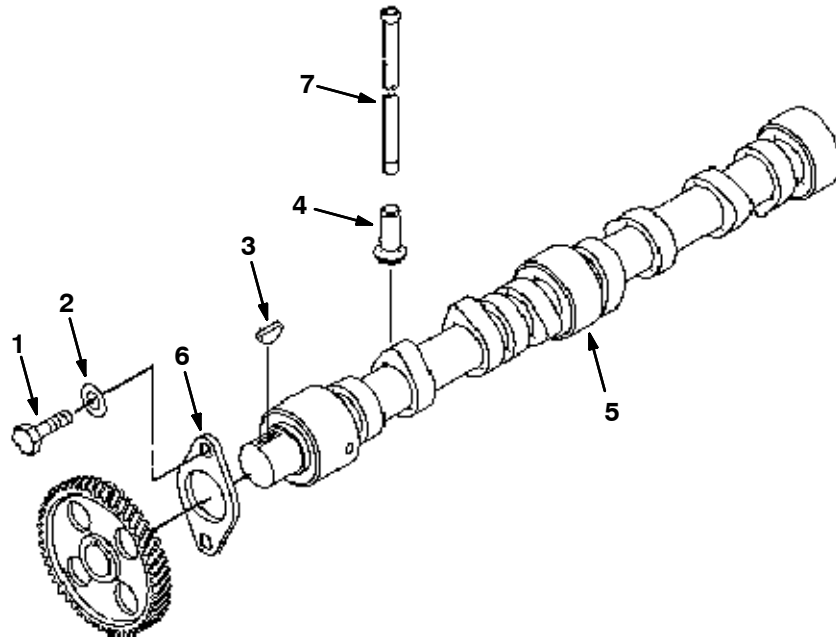
Fig. 4 - Valve and Rocker Arm Group



D

Ref.	Part No.	Description	Qty.	
1	372753	Retainer	8	
2	372754	Cap	8	
3	372767	Retainer	16	
4	39277	Screw, Hex, M8 X 1.25 X 25, 8.8	4	
5	39349	Washer, Flat, 0.31 Sae	4	
6	372755	Valve, Inlet	4	
7	372756	Valve, Exhaust	4	
8	372757	Spring, Valve	8	
9	372758	Seal	8	
▽	372760	Shaft Assy	1	
▲	10	372761	Cap	1
▲	11	372762	Ring, Snap	2
▲	12	372763	Arm, Rocker	8
▲	13	372764	Spring	3
▲	14	372765	Bracket	4
▲	15	372766	Bolt, Bracket	4

Fig. 5 - Camshaft Group



Ref.	Part No.	Description	Qty.
1	16735	Screw, Hex, M8 X 1.25 X 16mm	2
2	39349	Washer, Flat, 0.31 Sae	2
3	372691	Key	1
4	372692	Tappet	8
5	372693	Camshaft	1
6	372694	Plate, Thrust	1
7	372695	Rod, Push	8

D

Fig. 6 - Front Housing and Gear Group

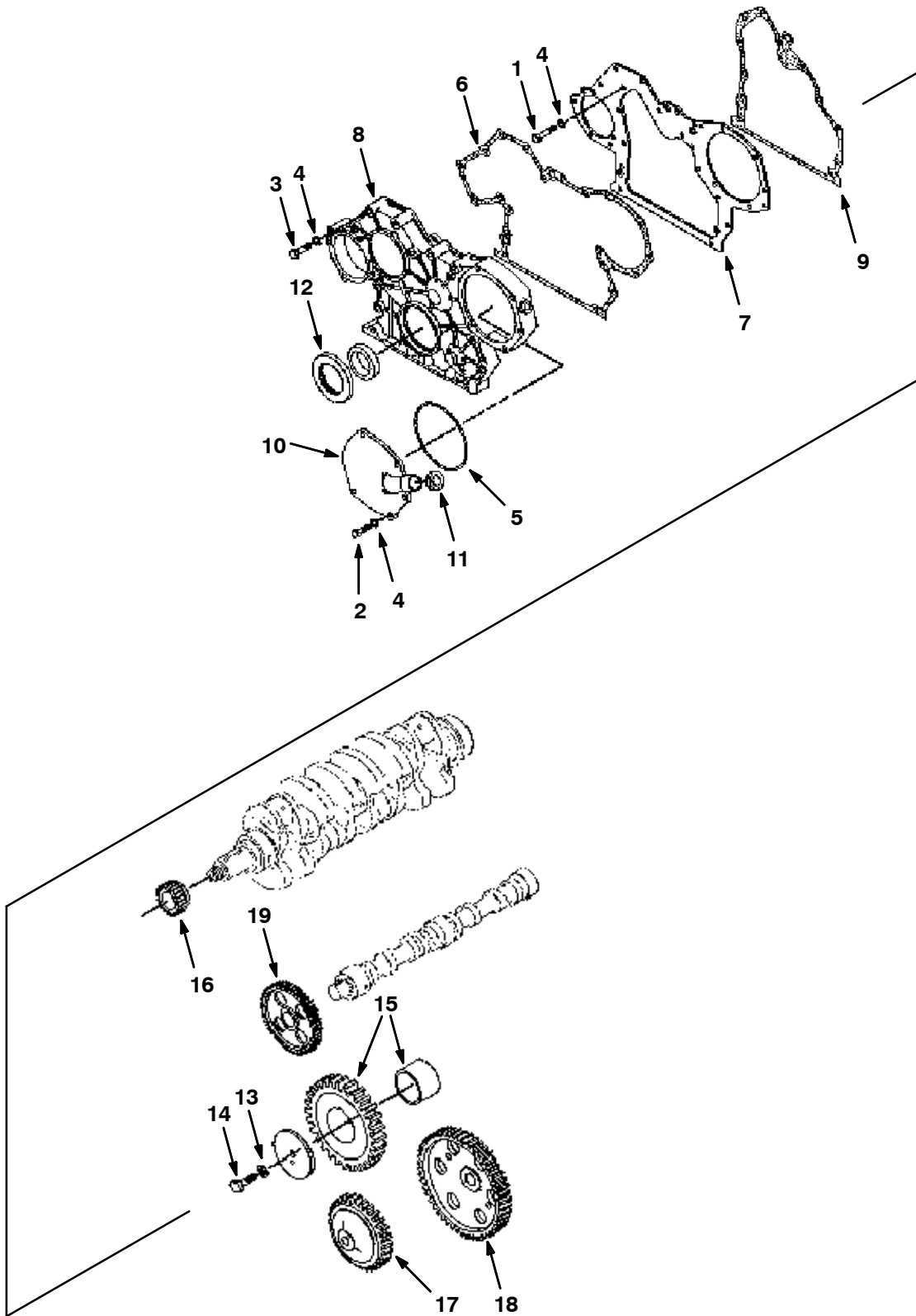
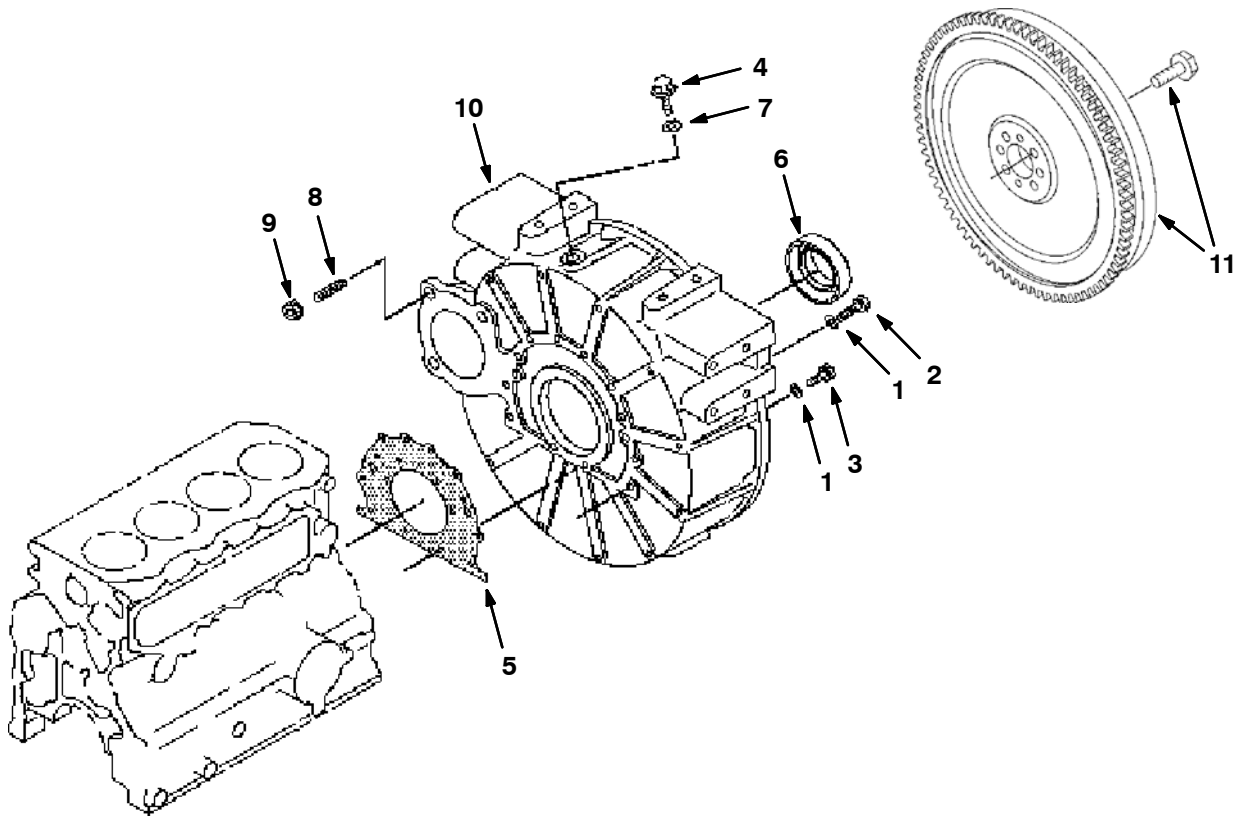


Fig. 6 - Front Housing and Gear Group

Ref.	Part No.	Description	Qty.
1	372788	Screw, Hex	5
2	16735	Screw, Hex, M8 X 1.25 X 16, 8.8	5
3	372789	Screw, Hex	13
4	39349	Washer, Flat, 0.31 Sae	23
5	372790	Seal, Org	1
6	372684	Gasket	1
7	372791	Plate	1
8	372792	Housing, Gear	1
9	372685	Gasket, Plate, Front	1
10	372793	Cover, Gear	1
11	372794	Cap, Filler	1
12	372795	Seal, Crank, Front	1
13	32492	Washer, Flat, 0.38 Std	1
14	06962	Screw, Hex, M10 X 1.5 X 45, 8.8	1
15	372775	Gear, Idler	1
16	372776	Gear	1
17	372777	Gear	1
18	372778	Gear	1
19	372779	Gear, Injection, Fuel	1

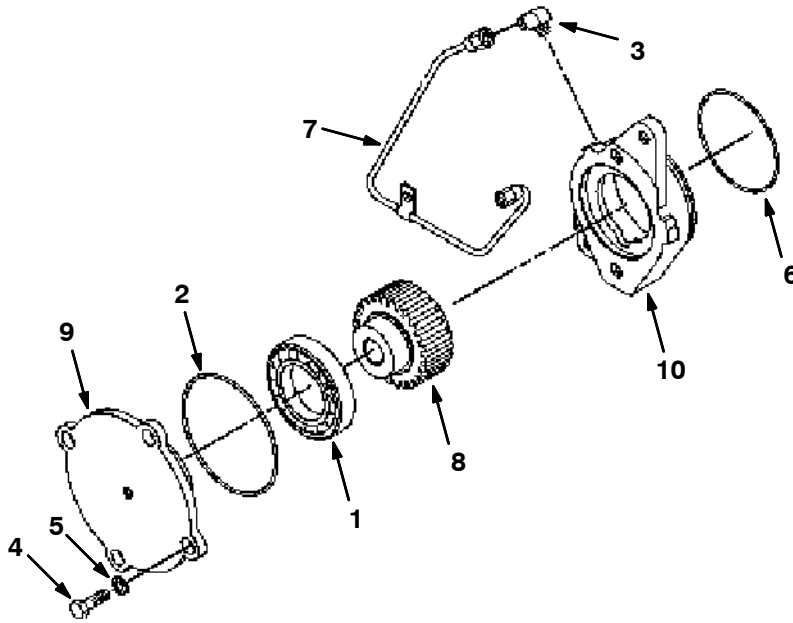
Fig. 7 - Flywheel Housing and Starter Group



D

Ref.	Part No.	Description	Qty.
1	32492	Washer, Flat, 0.38 Std	12
2	39283	Screw, Hex, M10 X 1.5 X 25, 8.8	10
3	03192	Screw, Hex, M10 X 1.5 X 30, 8.8	2
4	372732	Plug	1
5	372666	Gasket, Rear	1
6	372733	Seal	1
7	372667	Gasket	1
8	372734	Stud	3
9	372735	Nut	3
10	372736	Housing, Flywheel	1
11	372731	Flywheel	1
	372660	Starter	1

Fig. 8 - Auxiliary Drive Group



Ref.	Part No.	Description	Qty.
1	372780	Bearing, Ball	3
2	372781	Seal, Org	1
3	372782	Fitting, Elbow	2
4	16735	Screw, Hex, M8 X 1.25 X 16, 8.8	7
5	39349	Washer, Flat, 0.31 Sae	7
6	372783	Seal, Org	2
7	372784	Tube	1
8	372785	Gear [Power Take Off]	1
9	372786	Housing, Brg	2
10	372787	Housing, Brg	1

D

Fig. 9 - Oil Pan Group

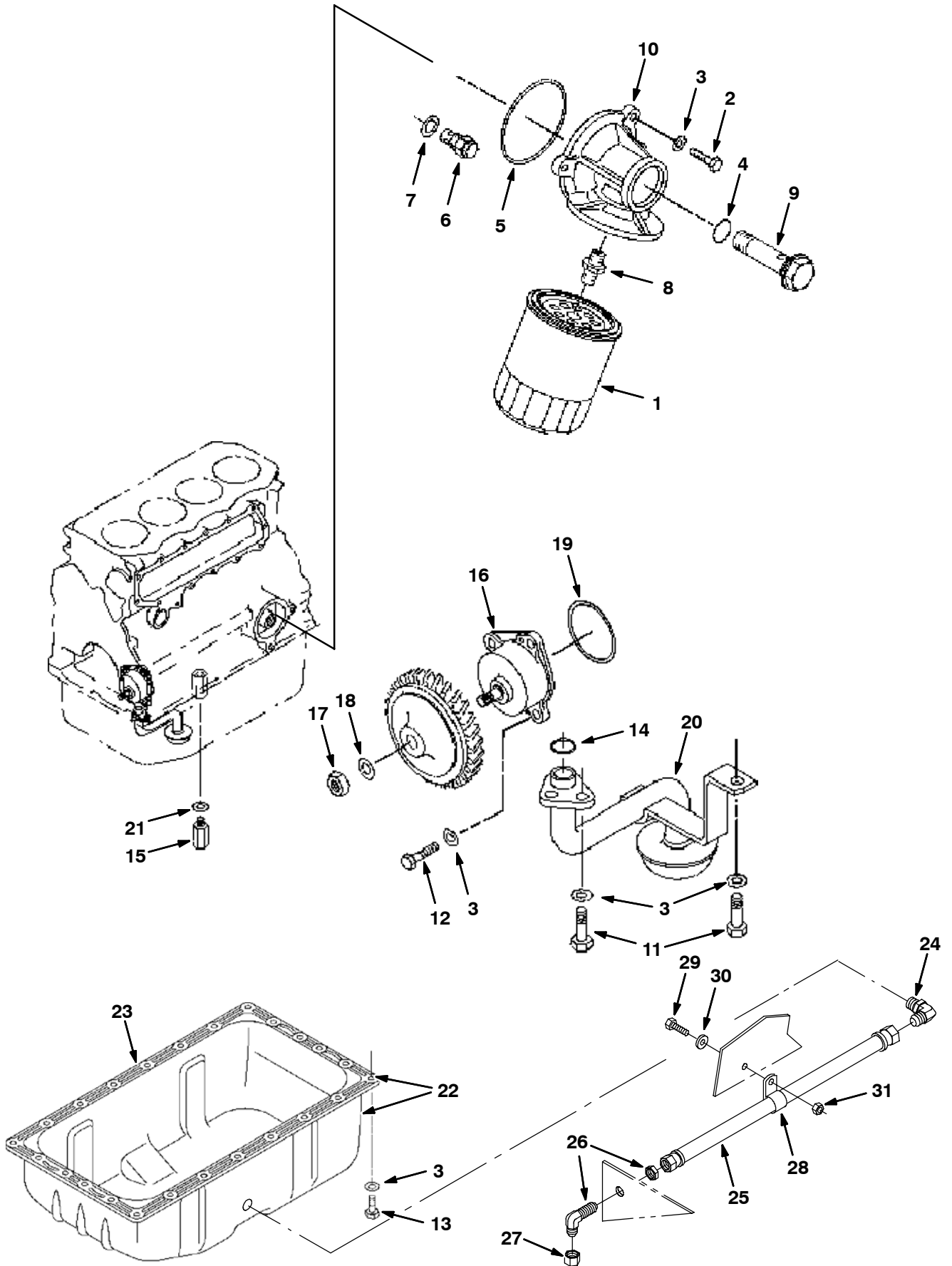


Fig. 9 - Oil Pan Group

Ref.	Part No.	Description	Qty.	
1	372654	Filter, Oil, Eng	1	
2	39277	Screw, Hex, M8 X 1.25 X 25, 8.8	1	
3	39349	Washer, Flat, 0.31 Sae	33	
4	372803	Seal, Org	1	
5	372804	Seal, Org	1	
6	372805	Valve, Relief	1	
7	372669	Gasket	1	
8	372806	Fitting, Str	1	
9	372807	Screw	1	
10	372808	Bracket	1	
11	16735	Screw, Hex, M8 X 1.25 X 16, 8.8	3	
12	16931	Screw, Hex, M8 X 1.25 X 20, 8.8	4	
13	16735	Screw, Hex, M8 X 1.25 X 16, 8.8	25	
14	372809	Seal, Org	1	
15	372810	Valve, Relief, Press, Eng Oil	1	
16	372768	Pump, Oil	1	
17	372769	Nut	1	
18	32492	Washer, Flat, 0.38 Std	1	
19	372770	Seal, Org	1	
20	372771	Strainer, Oil	1	
21	372670	Gasket	1	
▽	22	372800	Pan, Oil, W/ Gasket	1
▲		372801	Plug	1
▲	23	372668	Gasket	1
	24	371602	Fitting, Pipe, E90, .75-16	1
	25	371603	Hose, Oil Drain	1
	26	34365	Fitting, Hyd, E90, Jm08/Jm08 Bh	1
	27	60090	Fitting, Hyd, Cap Jf08	1
	28	82829	Clamp, Cable, Stl, 0.63d X 0.75w, 1h	1
	29	42370	Screw, Hex, .31-18 X 1.25, Ss	1
	30	01685	Washer, Flt, .31 Ss	1
	31	41437	Nut, Hex, Lock, .31-18, NI, Ss	1

Fig. 10 - Water Pump and Thermostat Group

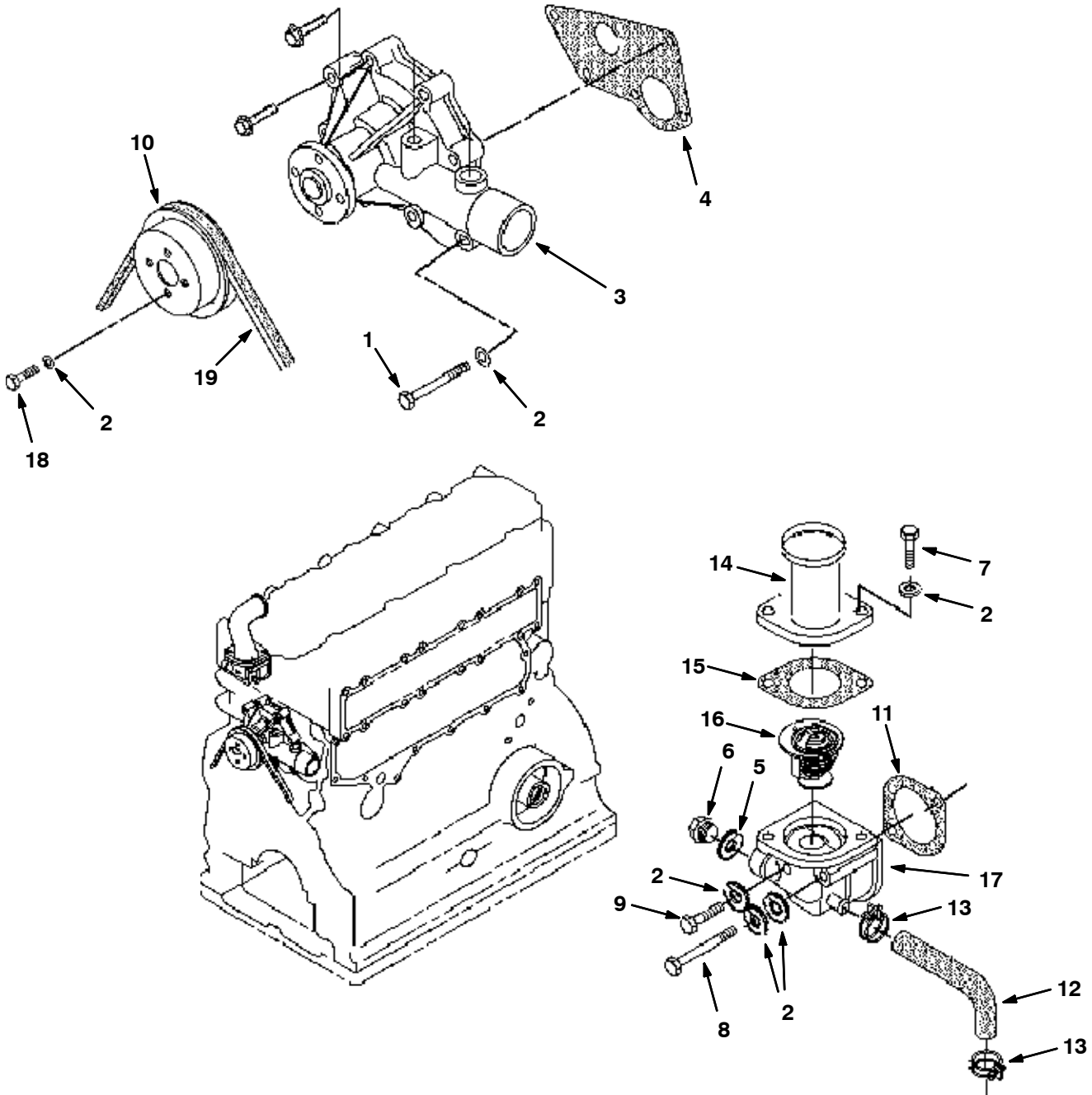


Fig. 10 - Water Pump and Thermostat Group

Ref.	Part No.	Description	Qty.
1	06956	Screw, Hex, M8 X 1.25 X 45mm	5
2	39349	Washer, Flat, 0.31 Sae	14
3	372832	① Pump, Water	1
3	9003796	② Pump, Water	1
4	372676	Gasket	1
5	372667	Gasket	2
6	372732	Plug	2
7	39277	Screw, Hex, M8 X 1.25 X 25, 8.8	2
8	06958	Screw, Hex, M8 X 1.25 X 80, 8.8	1
9	06956	Screw, Hex, M8 X 1.25 X 45, 8.8	1
10	372802	Pulley	1
11	372673	Gasket	1
12	372686	① Hose	1
12	9004033	② Hose	1
13	372812	① Clamp, Hose	2
13	9004034	② Clamp, Hose	2
14	372813	Cover, Thermostat	1
15	372674	Gasket, Coolant	1
16	372814	Thermostat, Coolant	1
17	372815	① Regulator, Temp, Coolant	1
17	9004035	② Regulator, Temp, Coolant	1
18	372853	Screw, Hex, M8 X 1.25 X 14mm	4
19	372653	Belt, Pump, Water	1

① Engine Serial number (00000000-34400832)

② Engine Serial number (34400833-)

Fig. 11 - Cooler Group

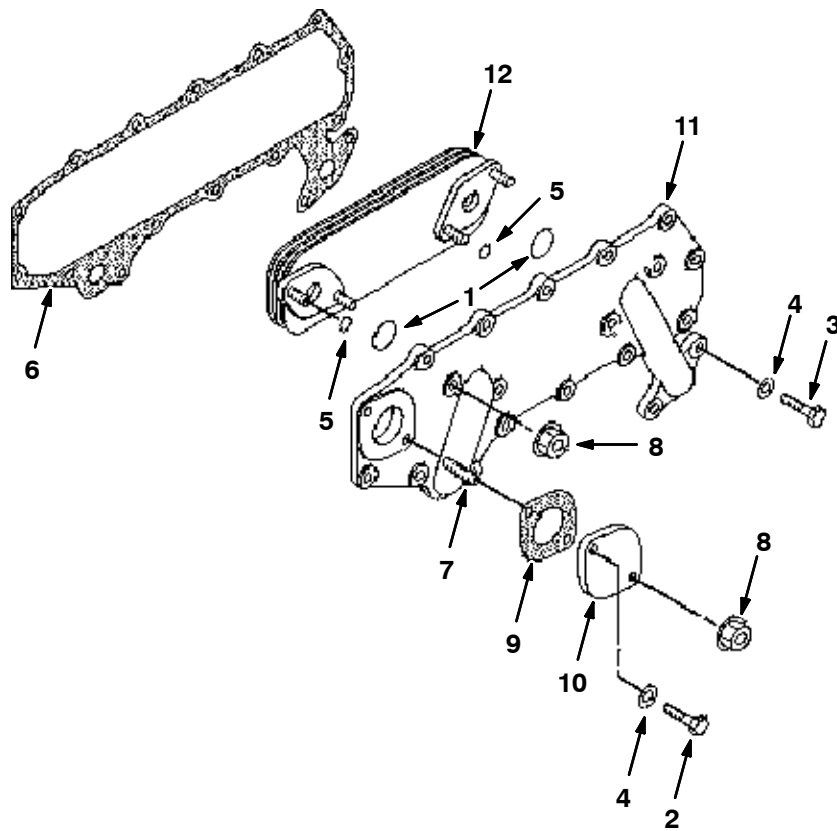


Fig. 11 - Cooler Group

Ref.	Part No.	Description	Qty.
1	372825	Seal, Org	2
2	76570	Screw, Hex, M8 X 1.25 X 30, 8.8	1
3	39277	Screw, Hex, M8 X 1.25 X 25, 8.8	11
4	39349	Washer, Flat, 0.31 Sae	12
5	372826	Seal, Org	4
6	372671	Gasket, Cover, Side	1
7	372827	Stud	1
8	372828	Nut	5
9	372672	Gasket, Heater, Water	1
10	372829	Cover	1
11	372830	Cover	1
12	372831	Cooler	1

Fig. 12 - Manifold Group

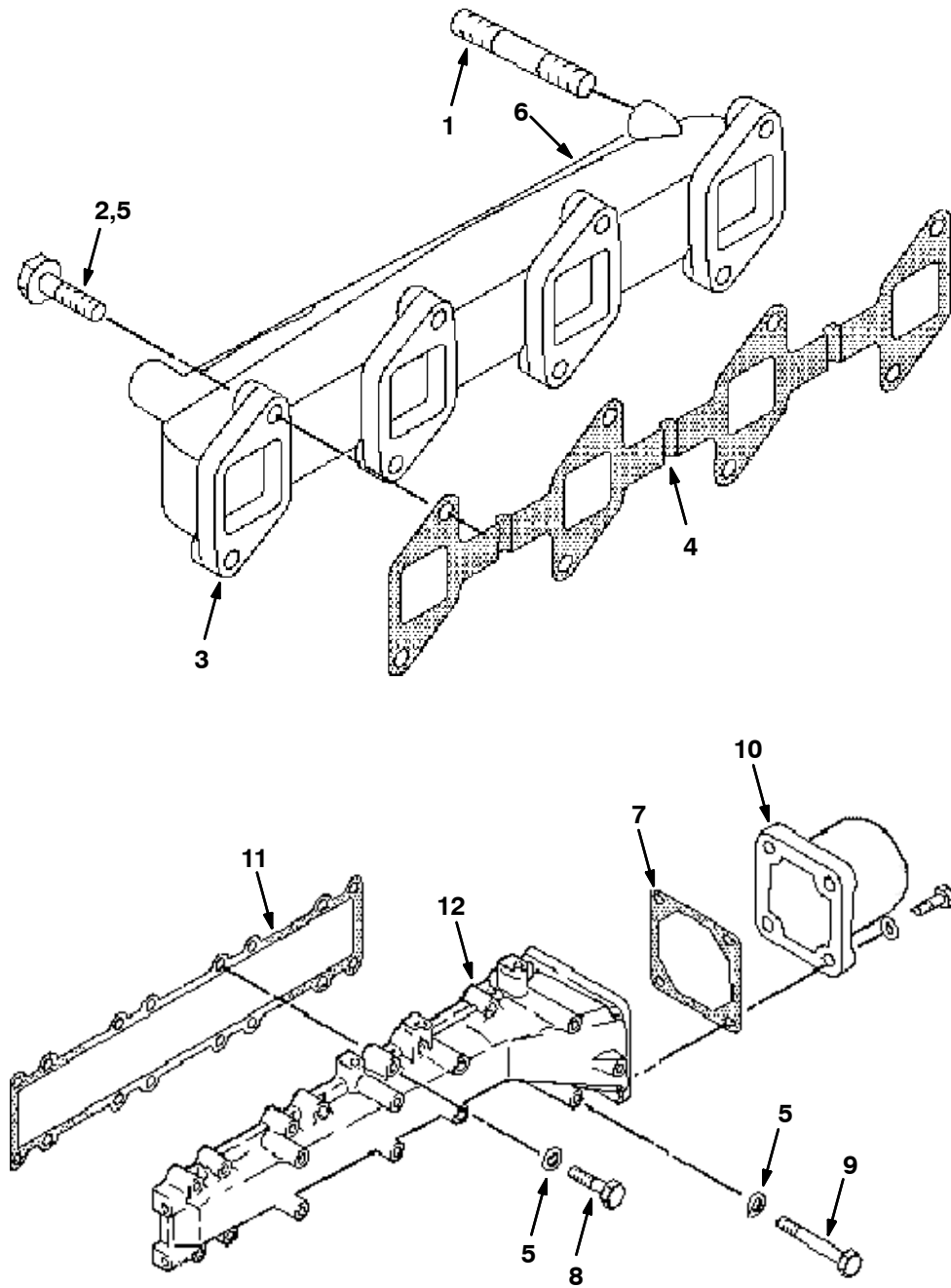


Fig. 12 - Manifold Group

Ref.	Part No.	Description	Qty.
1	372661	Stud	4
2	372662	Screw, Hex	8
3	372663	Manifold, Exhaust	1
4	372677	Gasket, Manifold	1
5	39349	Washer, Flat, 0.31 Sae	26
6	372678	Gasket, Exhaust	1
7	372679	Gasket	1
8	39281	Screw, Hex, M8 X 1.25 X 90, 8.8	2
9	41342	Screw, Hex, M8 X 1.25 X 40, 8.8	14
10	372817	Fitting, Elbow	1
11	372680	Gasket	1
12	372816	Manifold, Inlet	1

Fig. 13 - Fuel Group

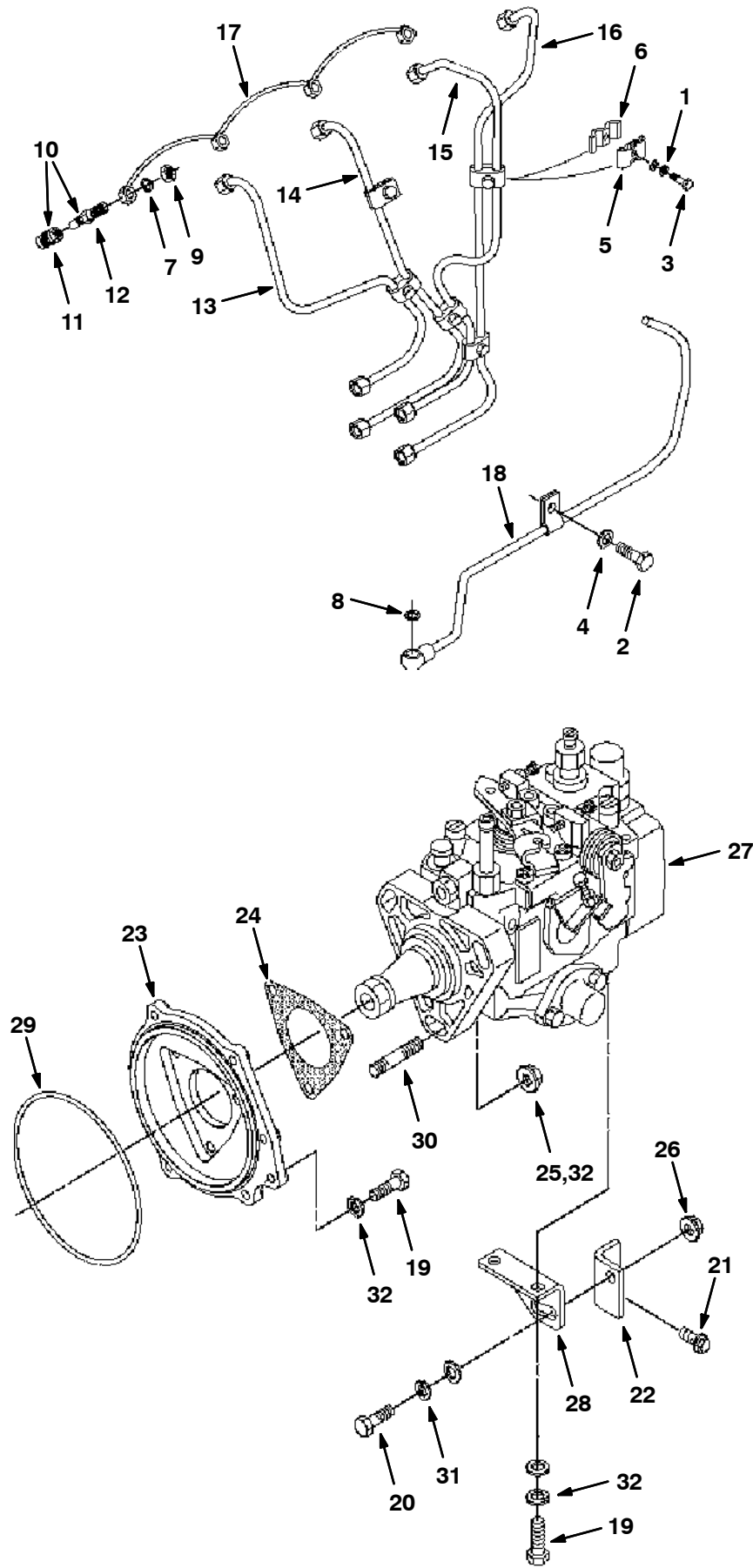


Fig. 13 - Fuel Group

Ref.	Part No.	Description	Qty.
1	32483	Washer, 7.2mm X 14.5mm X 2mm	3
2	16735	Screw, Hex, M8 X 1.25 X 16, 8.8	1
3	06944	Screw, Hex, M6 X 1.0 X 25, 8.8	3
4	39349	Washer, Flat, 0.31 Sae	1
5	372841	Clamp	3
6	372842	Clamp	3
7	372681	Gasket	4
8	372682	Gasket	4
9	372843	Nut	4
∇	10 372844	Nozzle Assy	1
▲	11 372845	Mount, Nozzle	4
▲	12 372852	Cap, Nozzle	4
	13 372846	Fueline, Cyl #1	1
	14 372847	Fueline, Cyl #2	1
	15 372848	Fueline, Cyl #3	1
	16 372849	Fueline, Cyl #4	1
	17 372850	Fueline, Bleeder	1
	18 372851	Fueline, Return	1
	19 16931	Screw, Hex, M8 X 1.25 X 20, 8.8	1
	20 06961	Screw, Hex, M10 X 1.5 X 20, 8.8	2
	21 372834	Screw, Hex	1
	22 372835	Bracket	1
	23 372836	Flange	1
	24 372683	Gasket	1
	25 372854	Nut, Hex, M8 X 1.25	3
	26 372735	Nut	1
	27 372837	Pump, Injection, Fuel	1
	28 372838	Retainer	1
	29 372839	Seal, Org	1
	30 372840	Stud	3
	31 32492	Washer, Flat, 0.38 Std	2
	32 39349	Washer, Flat, 0.31 Sae	4

Fig. 14 - Fumes Disposal Group

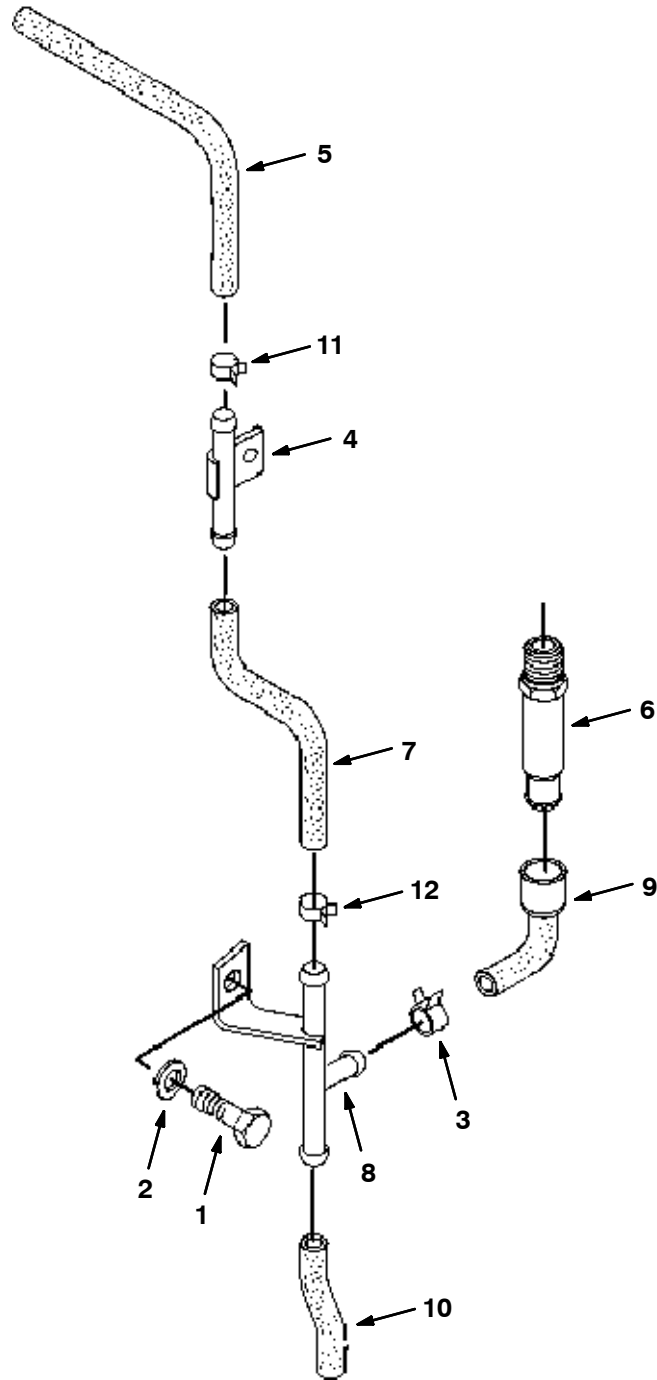
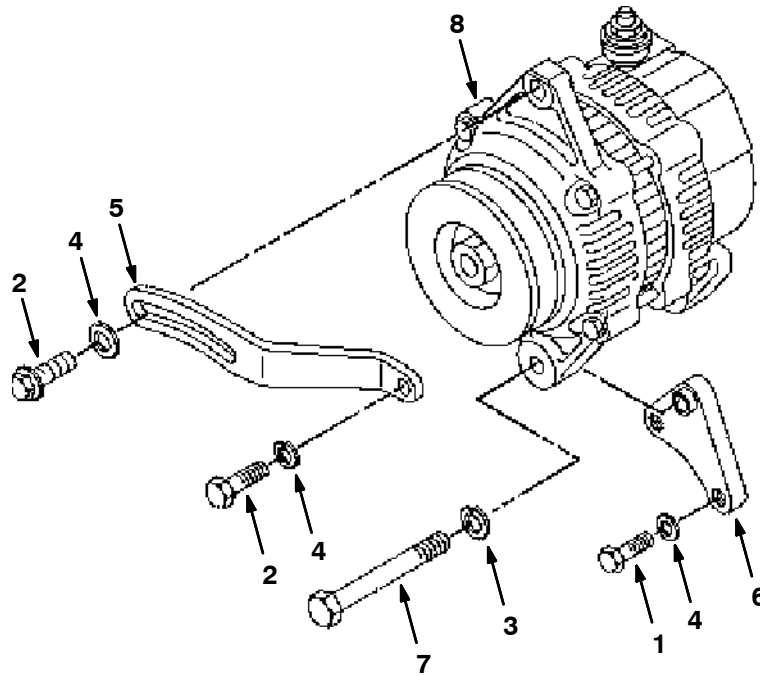


Fig. 14 - Fumes Disposal Group

Ref.	Part No.	Description	Qty.
1	39277	Screw, Hex, M8 X 1.25 X 25mm	1
2	39349	Washer, Flat, 0.31 Sae	1
3	372819	Clip	6
4	372820	Pipe	1
5	372687	Hose, Breather	1
6	372821	Valve, Shutoff	1
7	372688	Hose, Breather	1
8	372822	Pipe, Breather	1
9	372689	Hose, Breather	1
10	372690	Hose, Breather	1
11	372823	Clip	1
12	372824	Clip	1

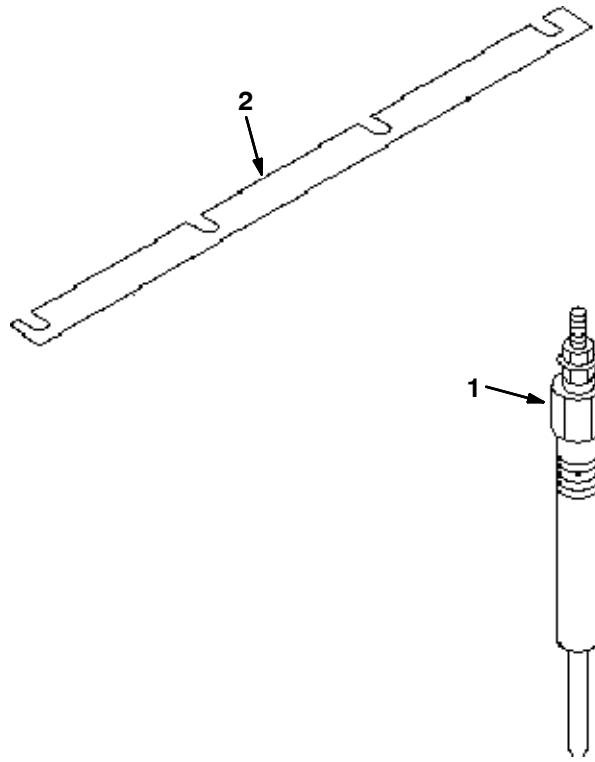
Fig. 15 - Alternator Group



D

Ref.	Part No.	Description	Qty.
1	39277	Screw, Hex, M8 X 1.25 X 25mm	1
2	16931	Screw, Hex, M8 X 1.25 X 20, 8.8	2
3	372655	Washer	1
4	39349	Washer, Flat, 0.31 Sae	3
5	372656	Plate, Adj	1
6	372657	Plate	1
7	372658	Screw, Hex	1
8	372659	Alternator	1

Fig. 16 - Glow Plug Group



Ref.	Part No.	Description	Qty.	D
1	372772	Glow Plug	4	
2	372773	Plate	1	

SECTION 17

Contents	Page
Fig. 1 - Cylinder Block Group	17-2
Fig. 2 - Crankshaft and Piston Group	17-4
Fig. 3 - Cylinder Head and Cover Group	17-6
Fig. 4 - Valve and Rocker Arm Group	17-8
Fig. 5 - Camshaft Group	17-9
Fig. 6 - Front Housing and Gear Group	17-10
Fig. 7 - Flywheel Housing and Starter Group .	17-12
Fig. 8 - Auxiliary Drive Group	17-13
Fig. 9 - Oil Pan Group	17-14
Fig. 10 - Water Pump and Thermostat Group .	17-16
Fig. 11 - Cooler Group	17-18
Fig. 12 - Manifold Group	17-19
Fig. 13 - Fuel Group	17-20
Fig. 14 - Fumes Disposal Group	17-22
Fig. 15 - Alternator Group	17-23
Fig. 16 - Glow Plug Group	17-24

Fig. 1 - Cylinder Block Group

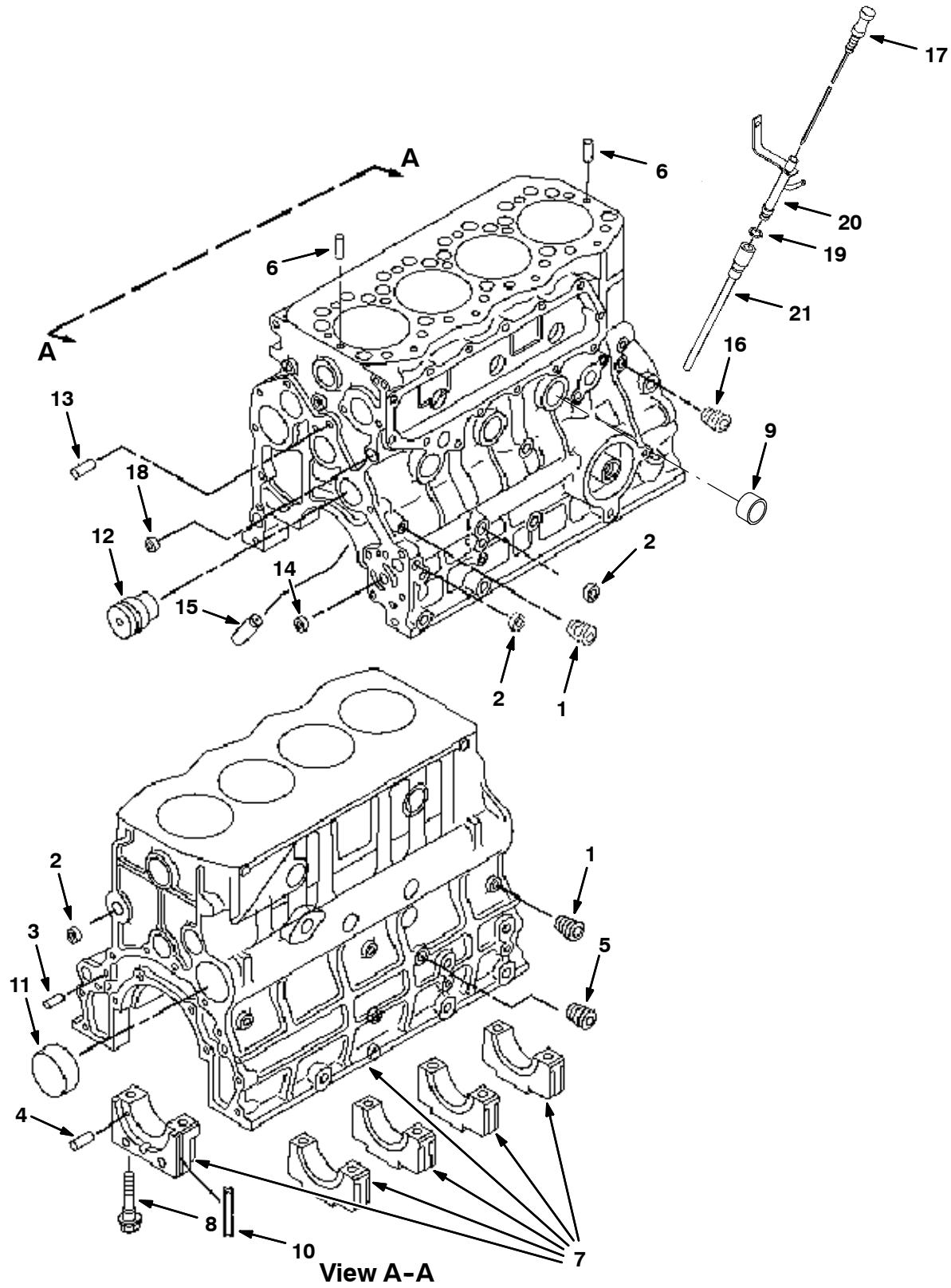


Fig. 1 - Cylinder Block Group

Ref.	Part No.	Description	Qty.	
1	372706	Plug	5	
2	9005198	Cap [Cat 08]	5	
3	372708	Pin	2	
4	372709	Pin, Spring	6	
5	372710	Plug	1	
6	9005197	Pin, Dowel [Cat 08]	2	
▽	7	9005200	Block, Cyl [Cat 08]	1
▲	8	372713	Screw	10
▲	9	9005201	Plug, Clip [Cat 08]	10
10	372715	Seal	2	
11	372716	Plug	1	
12	372717	Shaft, Idler	1	
13	372718	Pin	2	
14	372719	Bushing	1	
15	9005430	Fitting, Orifice, Jet [Cat 08]	1	
16	372721	Plug, Coolant, Eng	1	
17	9005260	Dipstick [Cat 08]	1	
18	9005199	Plug [Cat 08]	1	
19	9005257	Seal [Cat 08]	1	
20	9005259	Guide [Cat 08]	1	
21	9005258	Guide [Cat 08]	1	

Fig. 2 - Crankshaft and Piston Group

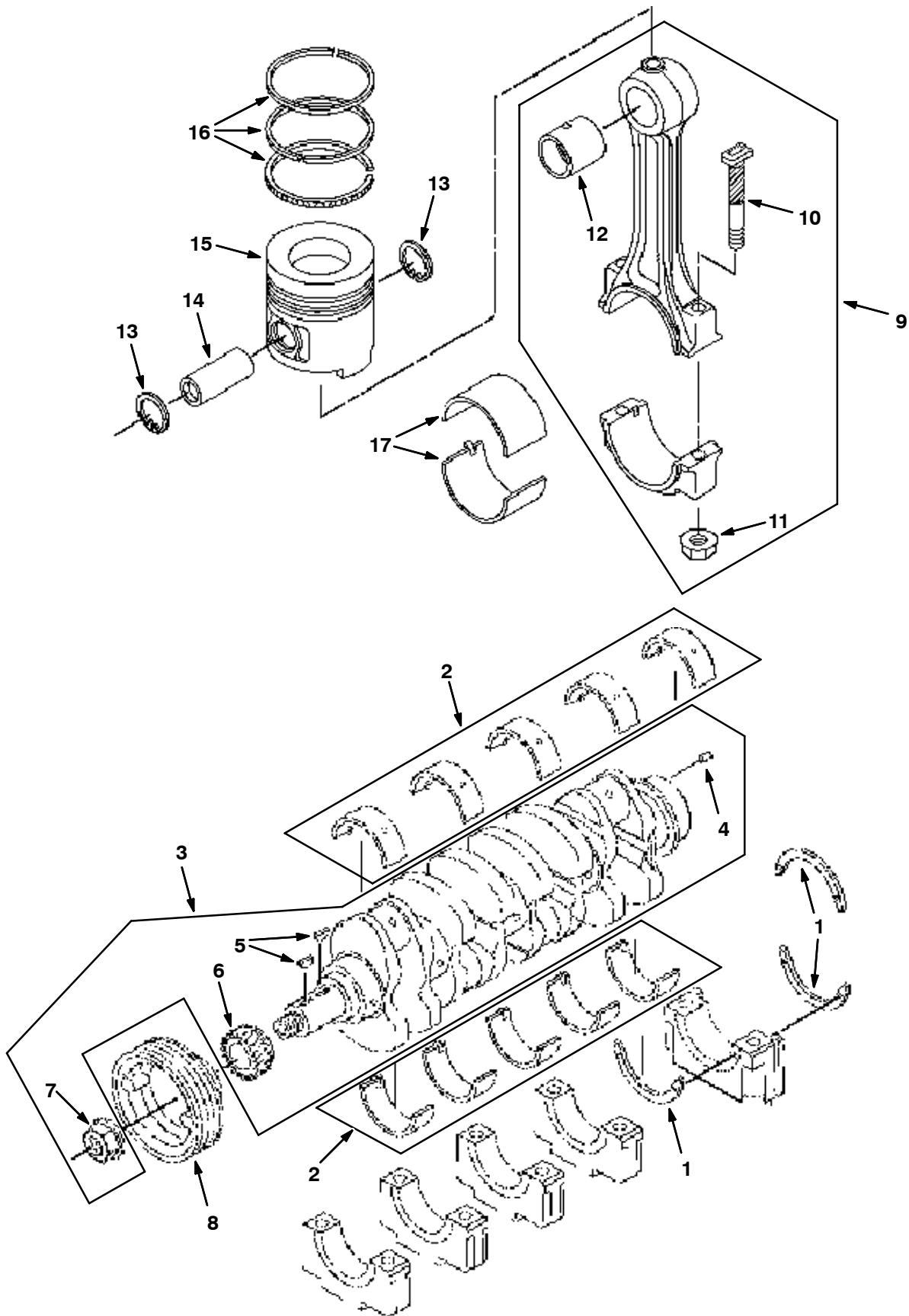


Fig. 2 - Crankshaft and Piston Group

Ref.	Part No.	Description	Qty.	
1	372697	Plate, Thrust, Std	3	
	372698	Plate, Thrust [+0.15mm]	3	
	372702	Plate, Thrust [+0.30mm]	3	
2	372699	Bearing, Rod, Connecting	1	
	9005186	Bearing, Kit [Cat 08]	1	
	9005188	Bearing, Kit [Cat 08]	1	
	9005189	Bearing, Kit [Cat 08]	1	
∇	3	9005196	Crankshaft [Cat 08]	1
▲	4	372704	Pin	2
▲	5	372691	Key	2
▲	6	372705	Gear, 23 Tooth	1
▲	7	372797	Nut	1
	8	9005262	Pulley, Cshaft [Cat 08]	1
∇	9	372737	Rod Assy, Connecting	4
▲	10	372738	Bolt, Rod, Connecting	2
▲	11	372739	Nut	2
▲	12	372740	Bushing	1
	13	9005261	Ring, Snap	8
	14	372742	Pin	4
	15	372743	Piston, Std	4
		372744	Piston [+0.25mm]	4
		372745	Piston [+0.50mm]	4
16	372746	Ring Set, Piston, Std	4	
		372747	Ring Set, Piston [+0.25mm]	4
17	372748	Ring Set, Piston [+0.50mm]	4	
		372749	Bearing, Std	1
		372750	Bearing [-0.25mm]	1
		372751	Bearing [-0.50mm]	1
		372752	Bearing [-0.75mm]	1

Fig. 3 - Cylinder Head and Cover Group

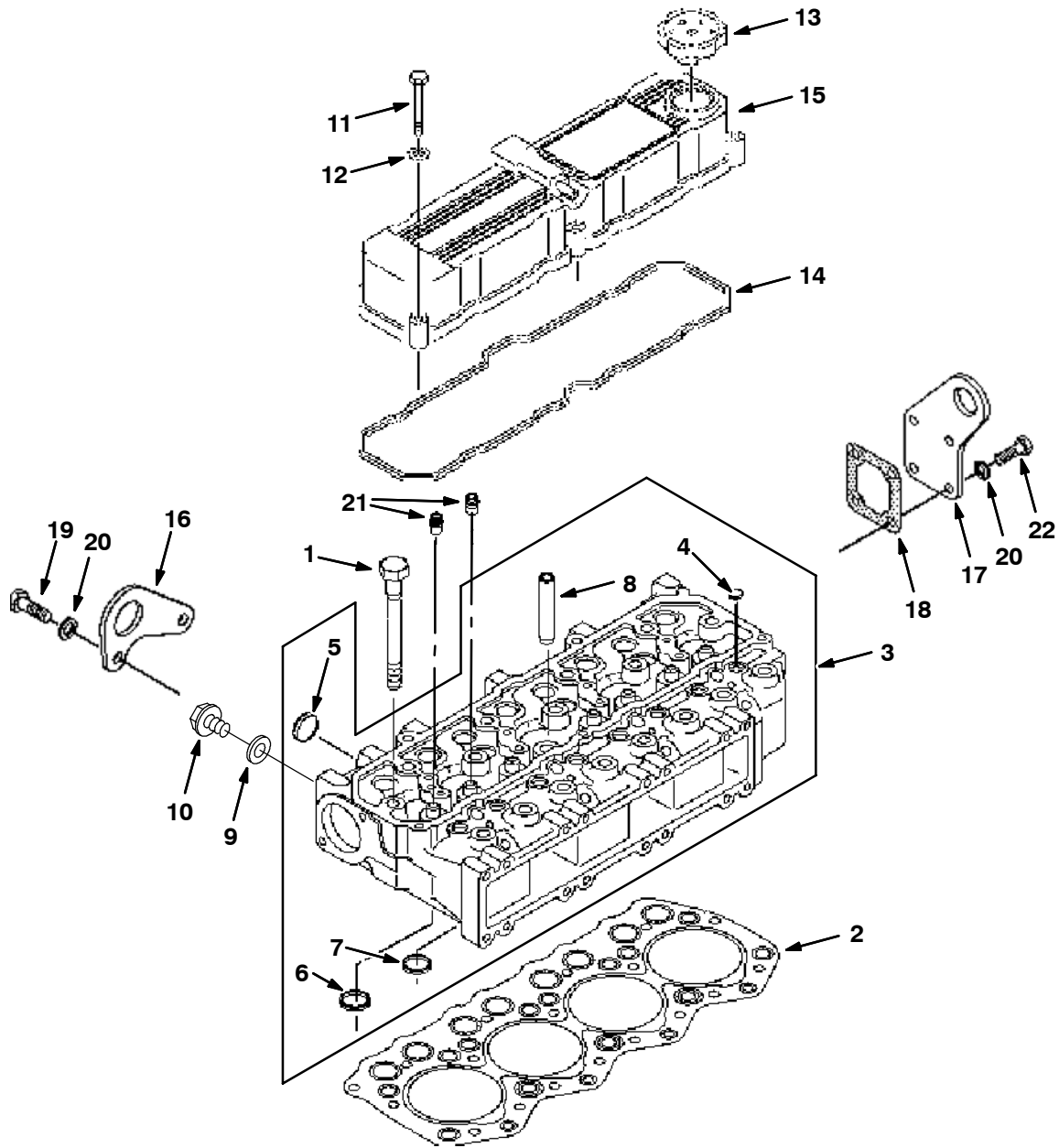
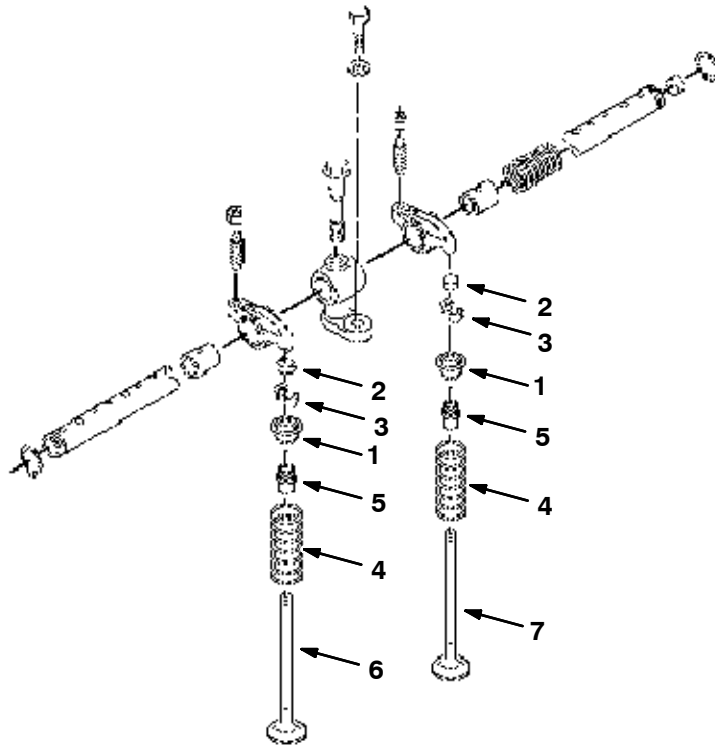


Fig. 3 - Cylinder Head and Cover Group

	Ref.	Part No.	Description	Qty.
	1	372722	Screw, Hex	17
	2	9005206	Gasket, Head [Cat 08]	1
▽	3	9005202	Head, Cyl [Cat 08]	1
▲	4	372724	Cap	8
▲	5	372725	Cap	4
▲	6	9005203	Valve, Seat [Cat 08]	4
▲	7	9005204	Valve, Seat [Cat 08]	4
▲	8	9005205	Valve, Guide [Cat 08]	8
	9	372667	Gasket	1
	10	372732	Plug	1
	11	9005195	Bolt [Cat 08]	5
	12	9005182	Washer, Hard [Cat 08]	5
	13	372796	Cap, Filler, Oil	1
	14	372664	Gasket, Cover, Valve	1
	15	372696	Cover	1
	16	372938	Plate, Lift, Front	1
	17	372939	Plate, Lift, Rear	1
	18	372940	Gasket, Head, Rear	1
	19	9005190	Bolt [Cat 08]	2
	20	9005182	Washer, Hard [Cat 08]	6
	21	9005207	Valve, Seal, Stem [Cat 08]	7
	22	9005183	Bolt [Cat 08]	4

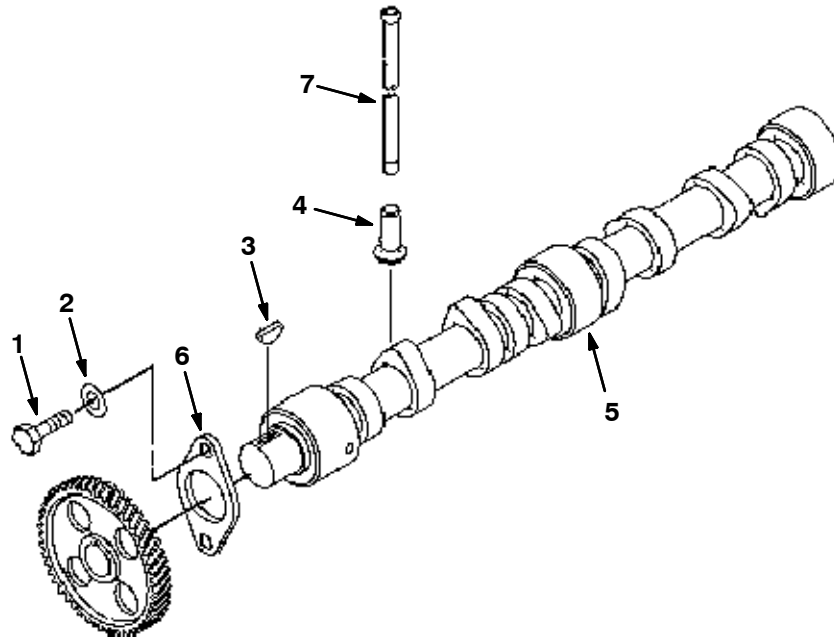
Fig. 4 - Valve and Rocker Arm Group



D

Ref.	Part No.	Description	Qty.
1	372753	Retainer	8
2	372754	Cap	8
3	372767	Retainer	16
4	9005277	Spring [Cat 08]	8
5	9005207	Valve, Seal, Stem [Cat 08]	8
6	372755	Valve, Inlet	4
7	372756	Valve, Exhaust	4

Fig. 5 - Camshaft Group



D

Ref.	Part No.	Description	Qty.
1	9005190	Bolt [Cat 08]	2
2	9005182	Washer, Hard [Cat 08]	2
3	372691	Key	1
4	372692	Tappet	8
5	372693	Camshaft	1
6	372694	Plate, Thrust	1
7	9005191	Rod, Push [Cat 08]	8

Fig. 6 - Front Housing and Gear Group

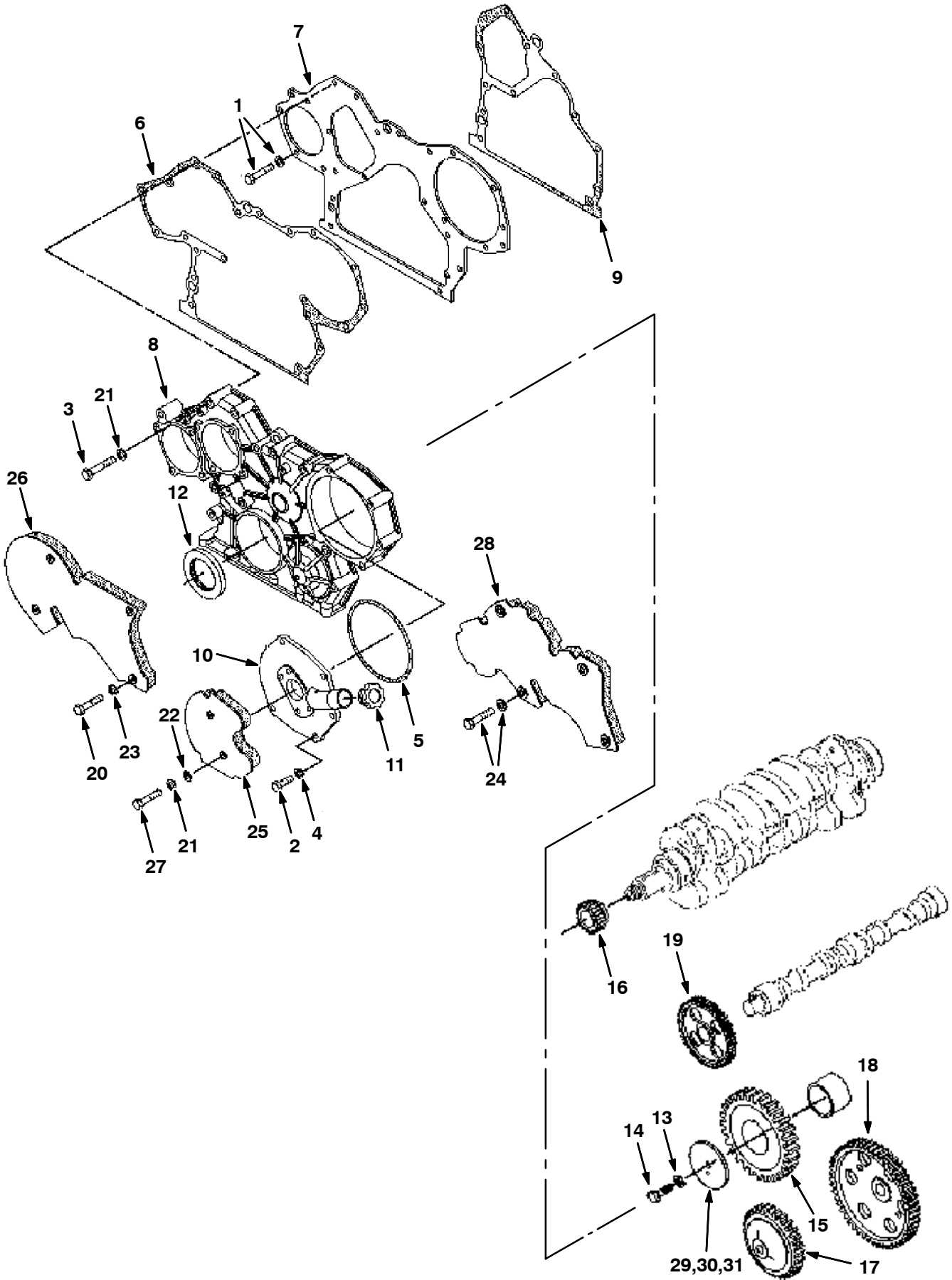
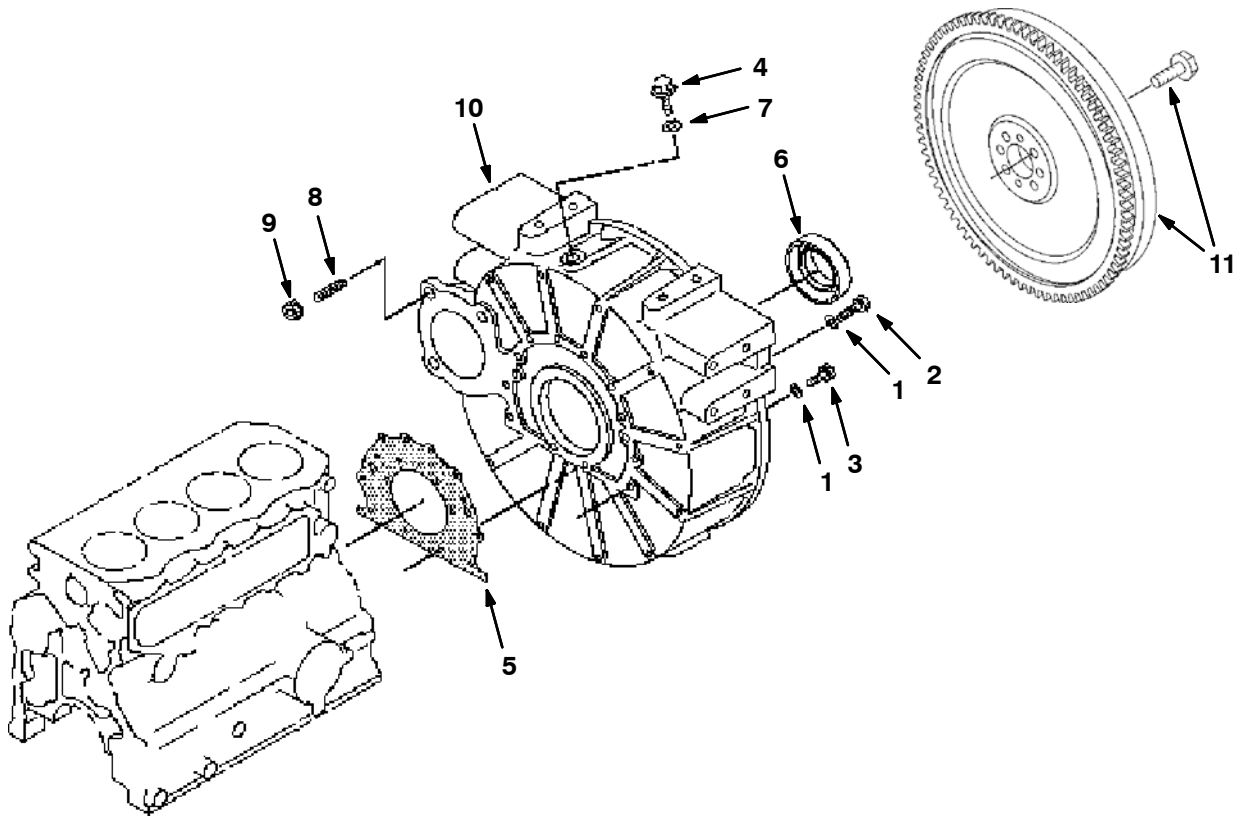


Fig. 6 - Front Housing and Gear Group

Ref.	Part No.	Description	Qty.
1	9005244	Fastener, Cover, Front [Cat 08]	5
2	9005208	Bolt [Cat 08]	5
3	372789	Screw, Hex	13
4	9005185	Washer, Lock [Cat 08]	5
5	372790	Seal, Org	1
6	9005241	Gasket, Cover, Timing [Cat 08]	1
7	9005242	Plate, Back [Cat 08]	1
8	9005240	Housing, Front	1
9	9005243	Gasket, Cover, Timing [Cat 08]	1
10	9005239	Gear, Cover [Cat 08]	1
11	372794	Cap, Filler	1
12	372795	Seal, Crank, Front	1
13	9005220	Washer, Hard [Cat 08]	1
14	9005216	Bolt [Cat 08]	1
15	372775	Gear, Idler	1
16	372776	Gear	1
17	372777	Gear	1
18	372778	Gear	1
19	372779	Gear, Injection, Fuel	1
20	9005231	Bolt [Cat 08]	2
21	9005228	Washer, Hard [Cat 08]	15
22	9005233	Washer [Cat 08]	6
23	9005234	Washer, Lock [Cat 08]	2
24	9005235	Bolt [Cat 08]	4
25	9005236	Insulation, Cover [Cat 08]	1
26	9005237	Insulation, Cover [Cat 08]	1
27	9005238	Bolt [Cat 08]	4
28	9005245	Cover [Cat 08]	1
29	9005217	Shaft [Cat 08]	1
30	9005218	Plate [Cat 08]	1
31	9005219	Bolt [Cat 08]	1

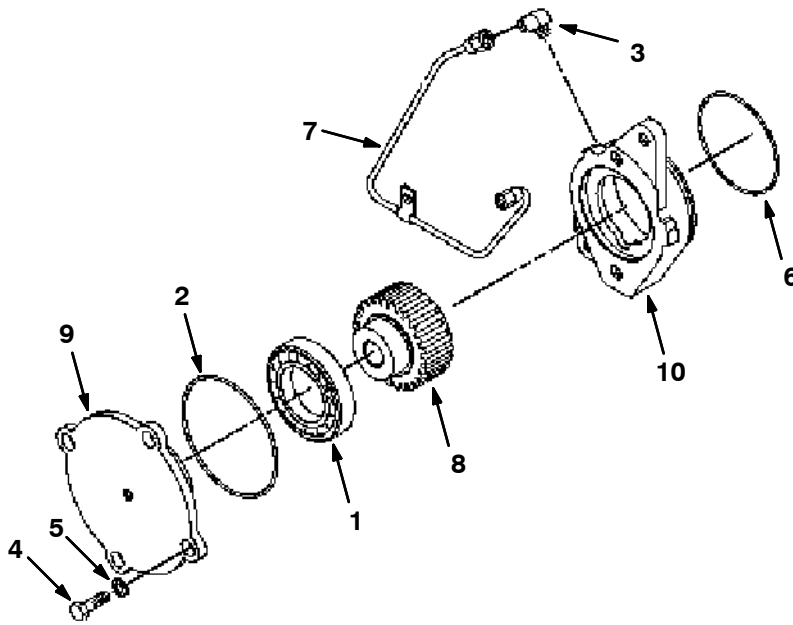
Fig. 7 - Flywheel Housing and Starter Group



D

Ref.	Part No.	Description	Qty.
1	9005228	Washer, Hard [Cat 08]	12
2	9005229	Bolt [Cat 08]	10
3	9005227	Bolt [Cat 08]	2
4	372732	Plug	1
5	372666	Gasket, Rear	1
6	372733	Seal	1
7	372667	Gasket	1
8	372734	Stud	3
9	372735	Nut	3
10	372736	Housing, Flywheel	1
11	372731	Flywheel	1
	372660	Starter	1

Fig. 8 - Auxiliary Drive Group



Ref.	Part No.	Description	Qty.
1	372780	Bearing, Ball	3
2	372781	Seal, Org	1
3	372782	Fitting, Elbow	2
4	9005208	Bolt [Cat 08]	7
5	9005185	Washer, Lock [Cat 08]	7
6	372783	Seal, Org	2
7	372784	Tube	1
8	372785	Gear [Power Take Off]	1
9	372786	Housing, Brg	2
10	372787	Housing, Brg	1

D

Fig. 9 - Oil Pan Group

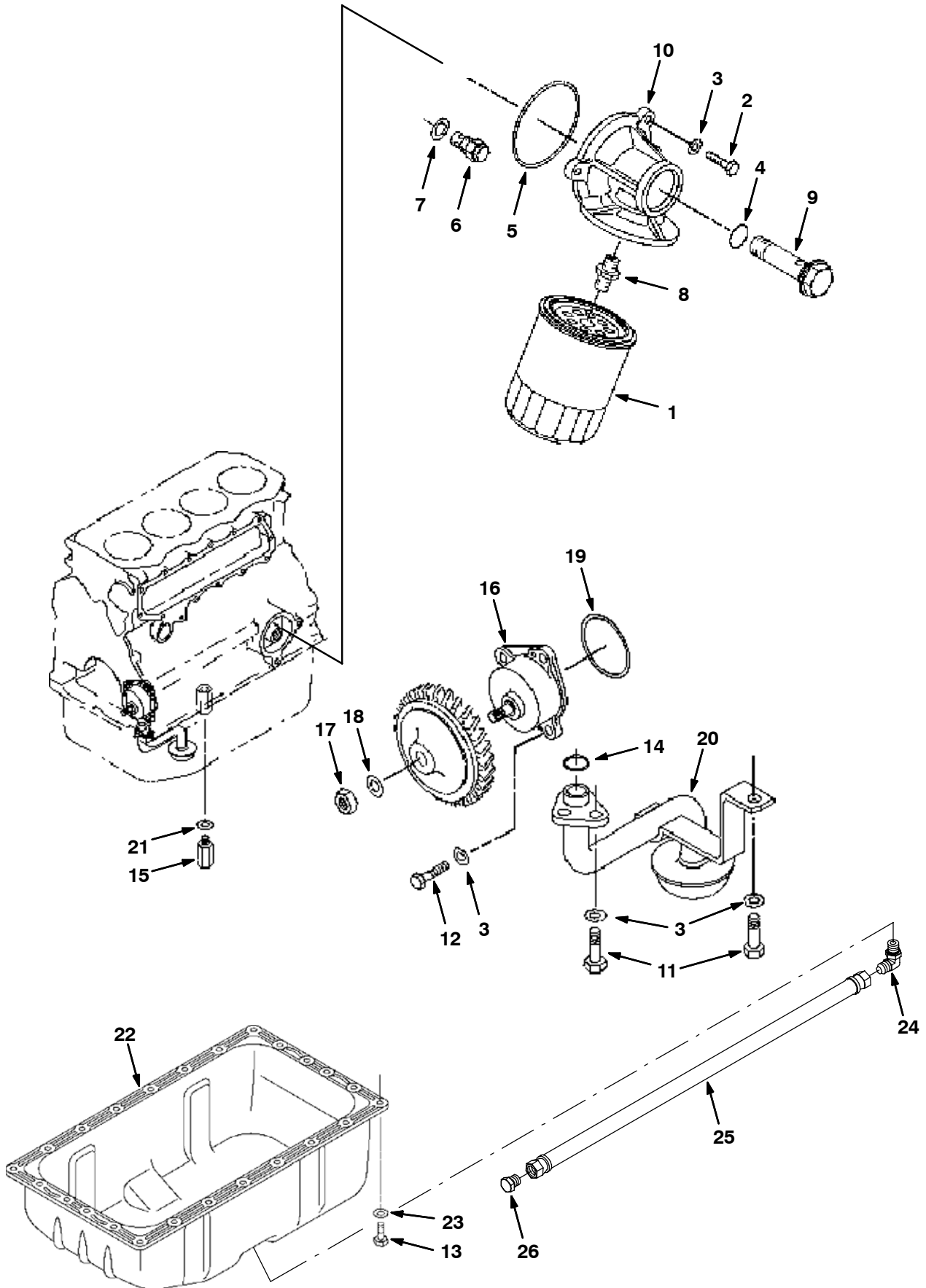


Fig. 9 - Oil Pan Group

Ref.	Part No.	Description	Qty.
1	372654	Filter, Oil, Eng	1
2	9005209	Bolt [Cat 08]	1
3	9005182	Washer, Hard [Cat 08]	8
4	372803	Seal, Org	1
5	372804	Seal, Org	1
6	372805	Valve, Relief	1
7	372669	Gasket	1
8	372806	Fitting, Str	1
9	372807	Screw	1
10	372808	Bracket	1
11	9005190	Bolt [Cat 08]	3
12	9005183	Bolt [Cat 08]	4
13	9005208	Bolt [Cat 08]	25
14	9005194	Seal, Org [Cat 08]	1
15	9005276	Valve, Press, Oil [Cat 08]	1
16	372768	Pump, Oil	1
17	372769	Nut	1
18	9005263	Washer [Cat 08]	1
19	372770	Seal, Org	1
20	372771	Strainer, Oil	1
21	372670	Gasket	1
22	372800	Pan, Oil, W/ Gasket	1
23	9005185	Washer, Lock [Cat 08]	25
24	1046796	Fitting, Hyd, E90, Metric, Spcl	1
25	76762	Hose, Hyd, Low06, Jf06str/Jf06str, 026.0	1
26	19747	Fitting, Hyd, Plug, Jm06	1

Fig. 10 - Water Pump and Thermostat Group

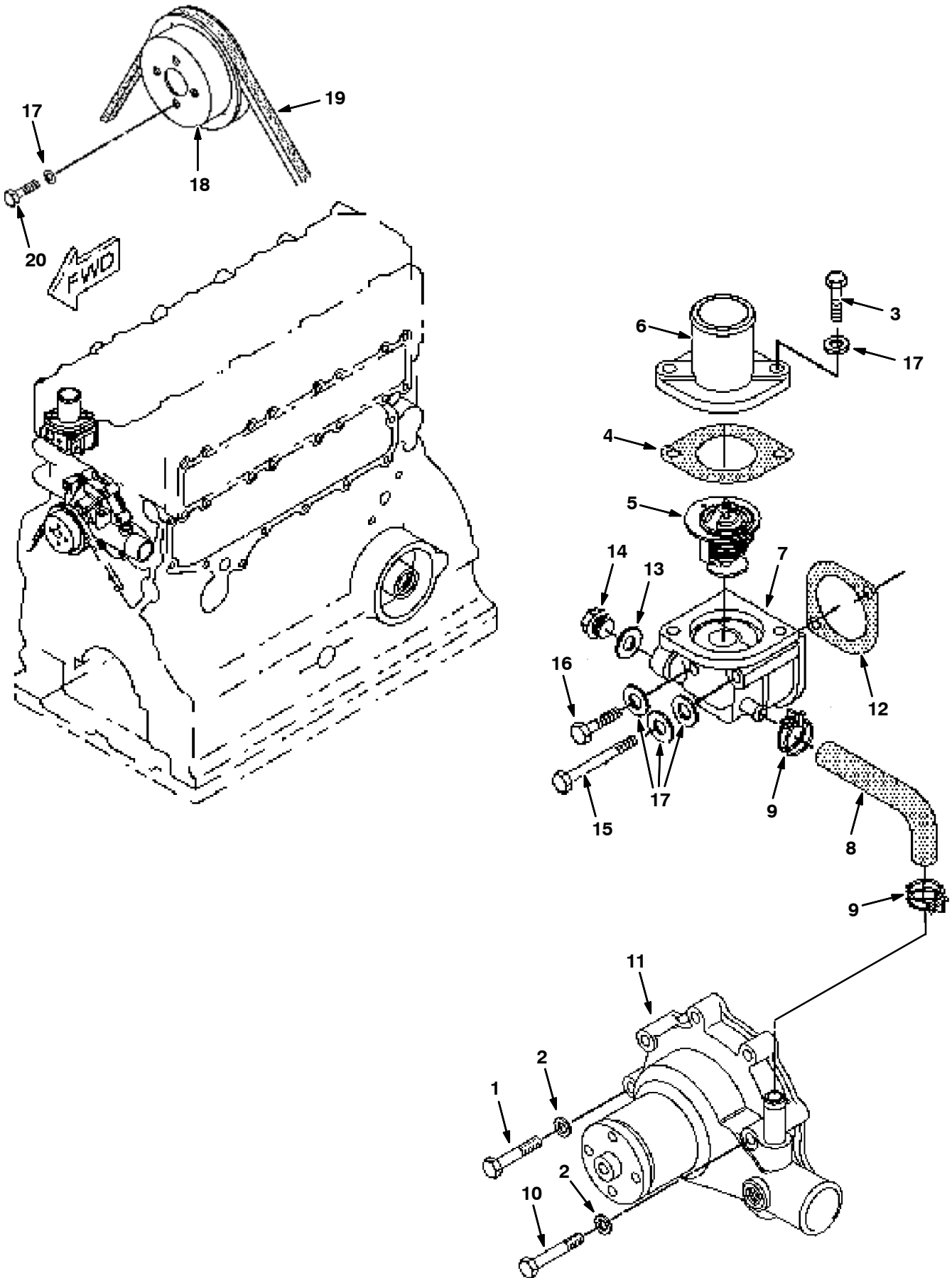
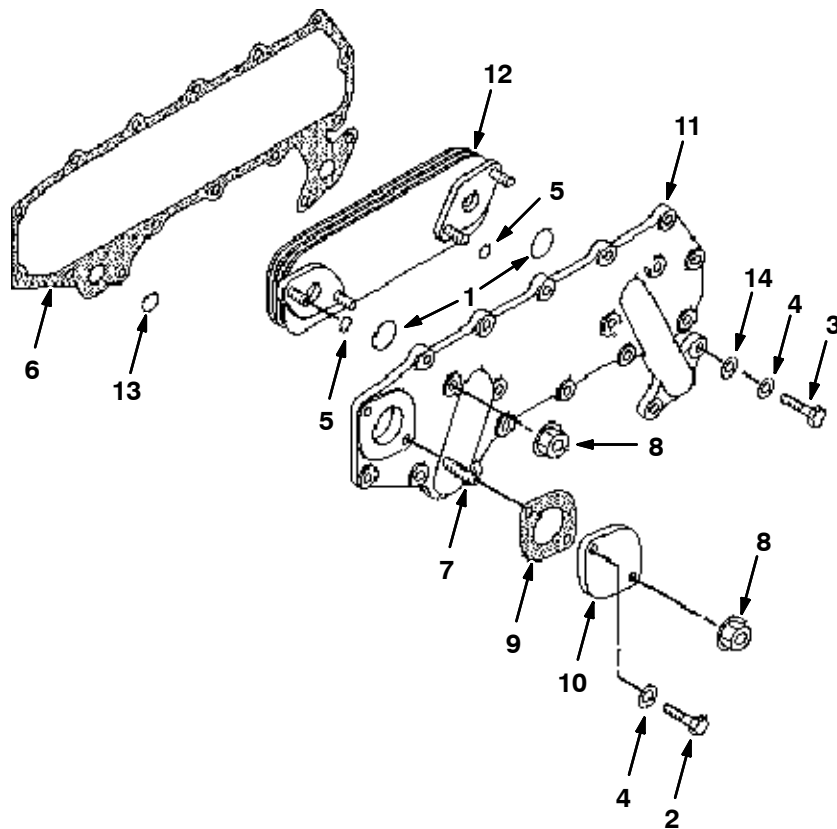


Fig. 10 - Water Pump and Thermostat Group

Ref.	Part No.	Description	Qty.
1	9005269	Bolt [Cat 08]	4
2	9005228	Washer, Hard [Cat 08]	5
3	9005221	Bolt [Cat 08]	2
4	372674	Gasket, Coolant	1
5	372814	Thermostat [Cat]	1
6	9005225	Cover, Thermostat [Cat 08]	1
7	9004035	Regulator, Temp, Coolant	1
8	9004033	Hose	1
9	9004034	Clamp, Hose	2
10	9005238	Bolt [Cat 08]	1
11	9003796	Pump, Water	1
12	9005224	Gasket, Thermostat [Cat 08]	1
13	372667	Gasket	2
14	372732	Plug	2
15	9005222	Bolt [Cat 08]	1
16	9005223	Bolt [Cat 08]	1
17	9005182	Washer, Hard [Cat 08]	9
18	372802	Pulley	1
19	372653	Belt, Pump, Water	1
20	9005181	Bolt [Cat]	4

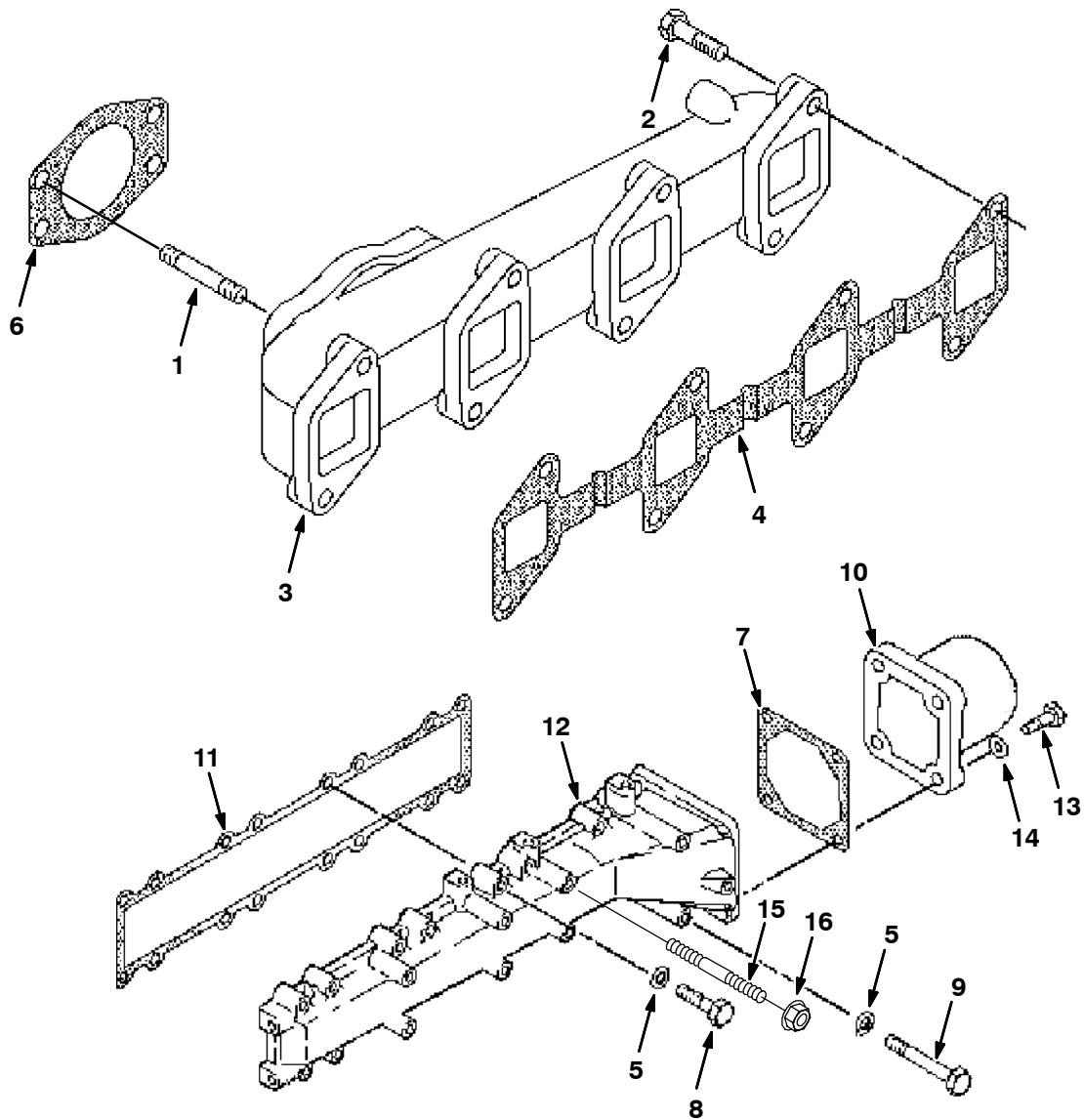
Fig. 11 - Cooler Group



D

Ref.	Part No.	Description	Qty.
1	372825	Seal, Org	2
2	9005192	Bolt [Cat 08]	1
3	9005193	Bolt [Cat 08]	15
4	9005182	Washer, Hard [Cat 08]	16
5	372826	Seal, Org	4
6	372671	Gasket, Cover, Side	1
7	372827	Stud	1
8	9005256	Nut, Flng [Cat 08]	5
9	372672	Gasket, Heater, Water	1
10	372829	Cover	1
11	372830	Cover	1
12	372831	Cooler	1
13	9005194	Seal, Org [Cat 08]	2
14	9005185	Washer, Lock [Cat 08]	15

Fig. 12 - Manifold Group



D

Ref.	Part No.	Description	Qty.
1	372661	Stud	4
2	9005184	Bolt [Cat 08]	8
3	9005251	Manifold, Exhaust [Cat 08]	1
4	372677	Gasket, Manifold	1
5	9005185	Washer, Lock [Cat 08]	16
6	372678	Gasket, Exhaust	1
7	372679	Gasket	1
8	9005253	Bolt [Cat 08]	14
9	9005252	Bolt [Cat 08]	2
10	9005210	Elbow, Air, Inlet [Cat 08]	1
11	372680	Gasket	1
12	9005254	Manifold, Inlet [Cat 08]	1
13	9005209	Bolt [Cat 08]	4
14	9005182	Washer, Hard [Cat 08]	4
15	9005255	Stud [Cat 08]	1
16	9005256	Nut, Flng [Cat 08]	1

Fig. 13 - Fuel Group

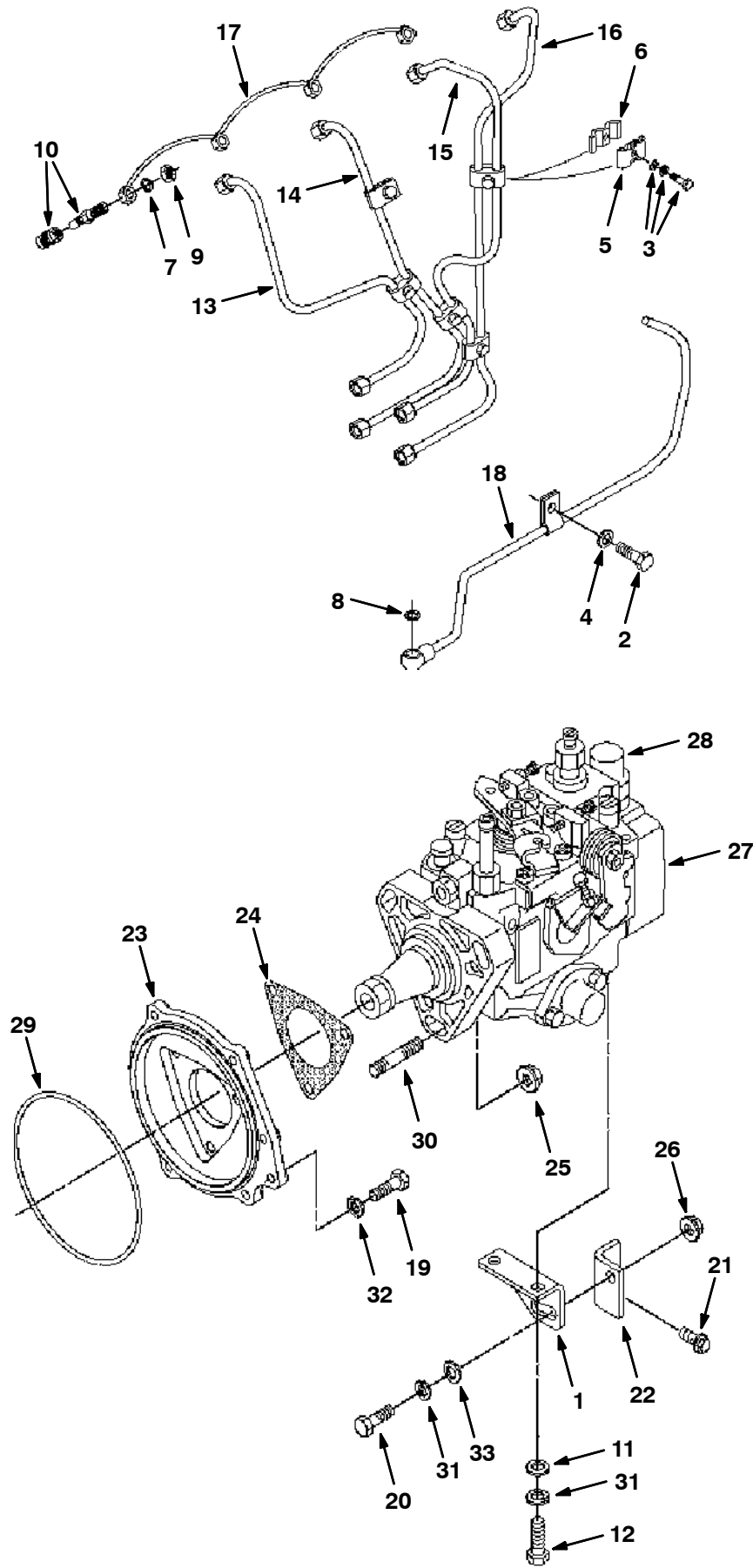
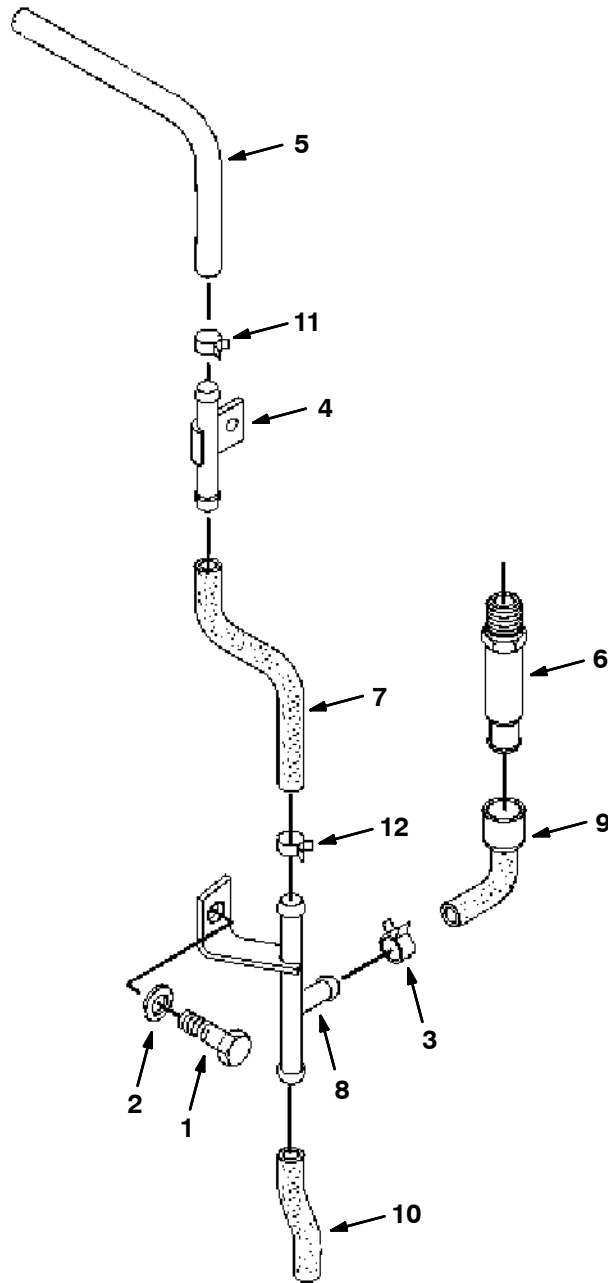


Fig. 13 - Fuel Group

Ref.	Part No.	Description	Qty.	
1	372838	Retainer	3	
2	9005208	Bolt [Cat 08]	1	
3	9005248	Bolt Assy [Cat 08]	3	
4	9005185	Washer, Lock [Cat 08]	1	
5	372841	Clamp	3	
6	372842	Clamp	3	
7	372681	Gasket	4	
8	372682	Gasket	4	
9	9005249	Nut [Cat 08]	4	
10	9005250	Nozzle, Injection [Cat 08]	4	
11	9005220	Washer, Hard [Cat 08]	2	
12	9005264	Bolt [Cat 08]	2	
13	372846	Fueline, Cyl #1	1	
14	372847	Fueline, Cyl #2	1	
15	372848	Fueline, Cyl #3	1	
16	372849	Fueline, Cyl #4	1	
17	372850	Fueline, Bleeder	1	
18	372851	Fueline, Return	1	
19	9005183	Bolt [Cat 08]	1	
20	9005229	Bolt [Cat 08]	1	
21	372834	Screw, Hex	1	
22	372835	Bracket	1	
23	372836	Flange	1	
24	372683	Gasket	1	
25	9005256	Nut, Flng [Cat 08]	3	
26	372735	Nut	1	
▽	27	9005504	Pump, Injection, Fuel [Cat 08]	1
▲	28	9005266	Solenoid [Cat 08]	1
	29	372839	Seal, Org	1
	30	372840	Stud	3
	31	372655	Washer	3
	32	9005182	Washer, Hard [Cat 08]	1
	33	9005265	Washer [Cat 08]	1

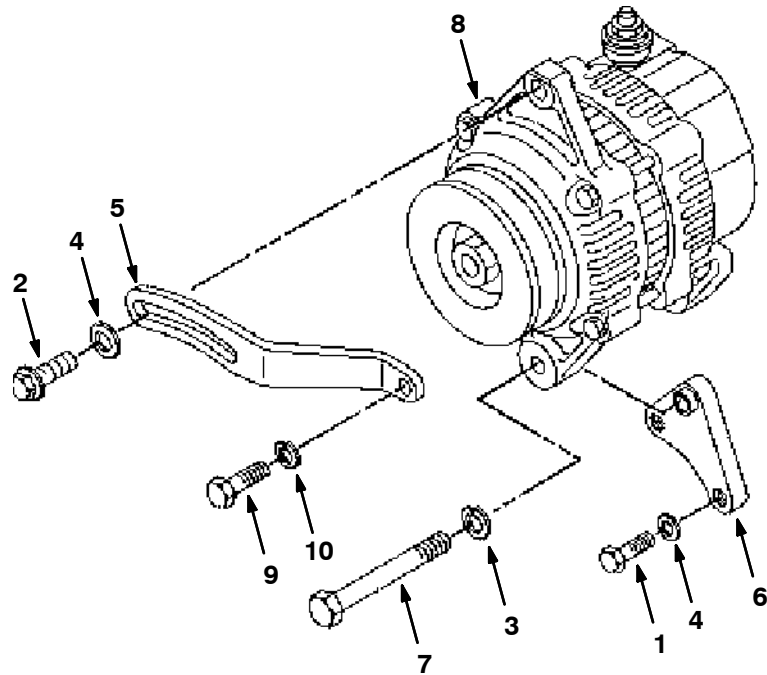
Fig. 14 - Fumes Disposal Group



D

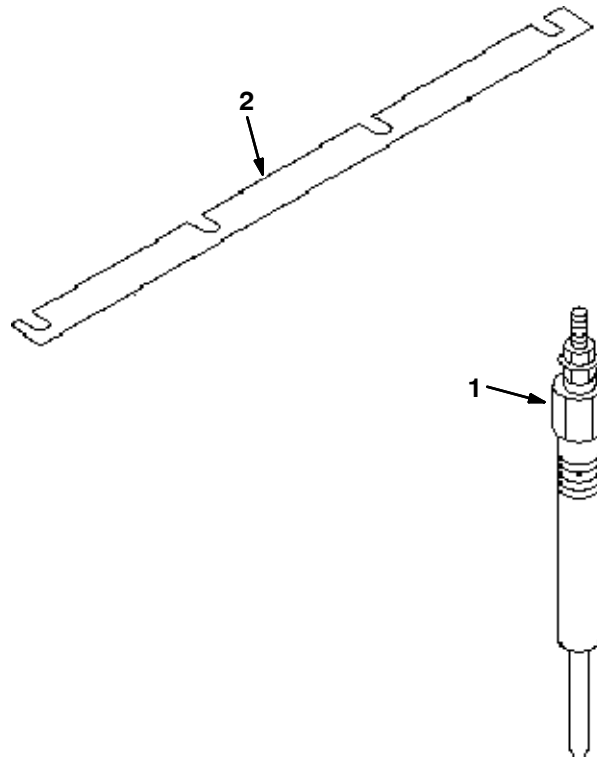
Ref.	Part No.	Description	Qty.
1	9005181	Bolt [Cat]	1
2	9005185	Washer, Lock [Cat 08]	1
3	372819	Clip	6
4	372820	Pipe	1
5	9005215	Pipe, Breather [Cat 08]	1
6	372821	Valve, Shutoff	1
7	372688	Hose, Breather	1
8	372822	Pipe, Breather	1
9	372689	Hose, Breather	1
10	372690	Hose, Breather	1
11	372823	Clip	1
12	372824	Clip	1

Fig. 15 - Alternator Group



Ref.	Part No.	Description	Qty.
1	9005181	Bolt [Cat]	1
2	9005183	Bolt [Cat 08]	1
3	372655	Washer	1
4	9005182	Washer, Hard [Cat 08]	2
5	372656	Plate, Adj	1
6	372657	Plate	1
7	372658	Screw, Hex	1
8	372659	Alternator	1
9	9005184	Bolt [Cat 08]	1
10	9005185	Washer, Lock [Cat 08]	1

Fig. 16 - Glow Plug Group



D

Ref.	Part No.	Description	Qty.
1	372772	Glow Plug	4
2	372773	Plate	1

SECTION 18

CONTENTS

PAGE

PART NUMBER TO PAGE NUMBER CROSS REFERENCE LIST	18-2
PART DESCRIPTION TO PAGE NUMBER CROSS REFERENCE LIST	18-21

CROSS REFERENCE

PART NUMBER TO PAGE NUMBER CROSS REFERENCE LIST

Part Number	Page Number	Part Number	Page Number	Part Number	Page Number
IB3614	10-32, 10-33	02456	6-3	04597	9-18
MM283	9-20	02457	6-3	04598	9-18
SK1288	10-31	02460	6-3	04601	6-85, 6-87, 8-17, 8-19
SK1444	7-3	02462	6-3	04733-12	6-17
SK2222	6-43	02464	6-165	05880	6-63, 6-65, 8-13, 8-15
SK2223	6-42	02468	6-139	06223	6-4
SK2586	10-4	02469	6-139	06229	6-4
TM27A0610	13-7	02506-6	9-15	06279	6-17
TM27I00306	13-8	02519	10-27	06332	6-4
TM27I00313	13-8	02520	10-27	06418	6-17, 6-28, 6-29, 6-165
TM27I05120	13-8	02536	10-27	06507	6-45, 6-47, 7-3, 8-3, 8-5
TM27I05130	13-8	02543	6-144	06573	6-27, 6-31
TM27K00304	13-16	02586	6-25	06750	6-149
TM27L06020	13-11	02589	6-17	06843	6-43
TM27L06030	13-11	02597	6-167	06844	6-43
TMD27A00205	13-7	02683	6-141, 8-43	06845	6-165
TMD27A00507	13-7	02742	11-16	06846	6-165
TMD27B00502	13-3	02817	6-25	06942	8-9
TMD27B05003	13-12	02818	6-25	06943	6-33, 6-75
TMD27F00214	13-5	02819	6-25	06944	16-23
TMD27F00305	13-5	02938	6-132	06948	6-61
TMD27H00503	13-8	02984	6-28, 6-29	06949	6-91
TMD27U01001	13-7	02994	6-163	06956	16-17
TMD27U01002	13-7	02997	6-15	06958	16-17
TMD27U02001	13-12	03026	6-81, 6-83, 7-21, 8-29, 8-31	06961	16-23
X00101B	13-16	03192	8-7, 16-12	06962	16-11
X00110	13-3	03233	6-45, 8-3	06968	8-7
X02544	13-8	03292B	9-9	07259	6-165
X07823	13-12	03391	6-167	07422	6-129, 6-132, 9-3
X12393	13-5	03393	6-167, 6-171	07423	6-129
X12489	13-5	03395	9-18	07471	7-5, 7-7
X14134	13-5	03401	6-167	07484	6-25
X26129	13-3	03402	6-21, 6-25	07592	6-51, 6-53, 6-55
X26138	13-5	03404	6-171	07791	6-47, 6-49, 6-53, 6-69, 7-5
XM38003054	13-5	03408	9-18	07875	6-85, 6-87, 8-17, 8-19
00500-15	10-21, 10-24	03409	9-18	07934	6-145, 6-150, 8-46
00500-20	6-27, 6-31	03556	6-67, 6-69	08099	6-165
00500-5	6-45, 8-3	03706	6-169	08100	6-165
00911	6-161, 8-67	03711	10-2	08165	8-15
00954	10-32	03823	6-169, 9-13	08174	6-17
00960	10-33	03922	6-161, 6-163, 8-67	08175	6-173
00966	6-161, 8-67	03977	6-85, 6-87, 8-17, 8-19	08178	8-9
01433-1	6-3, 6-4	03992	9-8	08298	6-165
01666	10-28	04020	6-85, 6-87, 6-89, 6-91, 8-17, 8-19, 8-21	08329	6-37
01668	10-28	04048	6-37	08708	6-73, 6-75, 6-91, 8-9, 8-25
01685	6-70, 8-11, 16-15	04185	10-27	08709	6-75
01686	6-21, 6-27, 6-173	04198	10-27	08791	6-25
01692	6-21	04210	6-37	08891	6-45, 8-2
01736	6-9, 6-13	04414	6-49	08892	6-45, 8-3
01818	10-28	04431	6-165, 10-30	09088	6-42
01844	8-3	04477	10-30	09164	6-73, 8-25
02076	8-3	04499	10-30		
02182	6-87	04525	10-27		
02247	7-11	04595	9-18		
02430	10-3				
02431	6-129, 6-131, 7-23, 8-65				
02446	6-25				

CROSS REFERENCE

Part Number	Page Number	Part Number	Page Number	Part Number	Page Number
09294	8-27	1012677	6-89	1016459	6-143
09311	6-161, 8-67	1012719	6-49	1016460	6-143
09314	6-161, 8-67	1012720	6-49	1016462	6-143
09384	9-6	1012721	8-31	1016464	6-143
09626	6-173	1012738	8-21	1016465	6-143
09725	6-78, 6-79	1013030	6-89	1016466	6-143
09819	11-18	1013031	6-67, 6-69	1016467	6-143
09837	6-3, 11-18	1013086	6-89, 6-91	1016468	6-143
09852	11-18	1013129	6-11	1016469	6-143
09857	11-18	1013334	8-31	1016471	6-143
09861	11-18	1013350	6-59	1016472	6-143
09867	11-18	1013367	8-31	1016484	6-143
09877	11-19	1013509	6-91	1016771	6-146, 6-152
09890	11-18	1013590	6-67, 6-69, 8-15	1016827	8-21
09891	11-18	10143	6-92	1017126	6-4, 8-21
09905	6-169	1014394	6-75, 8-27	1017203	6-67
09910	11-18	1014411	6-49	1017231	6-11
1007162	6-53	1014490	6-75	1017239	7-11
1008094	6-53, 6-55	1014573	6-75, 8-27	1017241	6-67, 6-69
1008142	6-25	1014595	6-89	1017272	7-11
1008511	6-53	1014685	6-49	1017358	6-13
1008513	6-53	1014712	6-83, 7-21	1017432	7-11
1008538	6-55	1014769	6-67	1017442	6-11
1008894	6-9, 6-175	1014774	6-67	1017469	10-36
1008988	6-89	1014828	6-67	1017476	7-11
10100	13-7, 14-7	10149	6-173	1017500	7-11
1010537	6-165	1014956	6-152, 10-19	1017573	6-13
1010735	8-7	1014972	6-49	1017594	6-11
1010738	8-7	1014988	6-49	1017598	7-11
1010739	8-7	10150	6-173	1017600	6-13
1010843	8-7	1015018	6-155	1017662	7-11
1011002	8-27	1015034	6-163	1017731	6-13
1011011	6-127	1015035	6-163	1017734	6-13
1011015	6-127	1015264	6-75	1017736	6-13
1011017	6-127	1015307	6-157	1017819	7-11
1011107	6-89, 6-91	1015313	6-146	1018449	6-13
1011216	6-67, 6-69	1015338	6-41, 8-39	1018451	6-13
1011259	6-67	1015379	6-131, 7-23, 8-65	1018573	6-49
1011676	8-7	1015389	6-131, 7-23, 8-65	1019271	6-33
10117	11-9	1015430	6-11	1019272	6-75, 10-33
1011701	8-7	1015467	6-163	1020194	6-157, 10-34
1011727	8-67	1015473	6-163	1020434	6-175
1011780	6-83, 7-21	1015517	6-11	1020891	6-75
1011895	6-89, 6-91	1015633	6-67	1023322	6-163, 10-32
1011899	6-83, 7-21	1015638	6-67, 6-69	1025278	6-77
1011916	8-21	1015762	8-7	1027531	8-15
1011917	8-21	1015770	8-31	1028058	6-17, 6-173
1011973	8-7	1015815	6-89	1028558	6-69
1011980	6-89	1015821	6-67	1028559	6-69
10120	6-42	1015850	6-163	1028924	6-91
1012112	6-89, 8-21	1015933	6-4, 6-155	1029293	6-91
1012146	8-15	1015991	6-157	1029295	6-91
1012147	8-27	1015996	6-163	1029334	6-49
1012148	8-27	1016010	6-149, 8-45	1029649	6-55
1012149	8-31	1016044	6-11	1030272	6-49
1012185	6-131, 7-23	1016121	6-75	1030485	6-91
1012192	8-7	1016171	6-83, 7-21, 8-31	1030533	6-69
1012248	6-89	1016383	8-7	1030635	6-55
1012314	6-89	1016408	6-157	1032382	6-70
1012469	6-89	1016456	6-143	1032391	6-69

CROSS REFERENCE

Part Number	Page Number	Part Number	Page Number	Part Number	Page Number
1032477	6-69	11979	6-45, 6-47, 8-5	16423	9-5, 9-6
1032569	6-69	11984	6-81, 6-83, 7-21,	16440	6-132
1032757	7-21		8-29, 8-31	16456	6-147, 8-45
1032774	6-69	12072	6-25	16472	8-11
1032778	6-69	12074	6-25	16485	6-167, 10-3
1032804	6-61	12784	11-8, 13-9, 14-9	16490	6-44, 8-3
1032805	7-16	12959	6-63, 6-65, 8-13,	16496	6-63, 8-3
1032812	6-91		8-15	16497	8-28
1032815	6-75	13015-1	8-34	16499	8-3
1032823	6-69	13015	6-92, 8-35	16511	9-5
1032912	6-91	13113	6-141	16513	9-4
1032936	6-91	13124	6-83, 7-21	16550	8-3
1032944	6-91	13248	6-163	16551	8-2
1033497	6-75	13611	6-165	16552	8-3
1033739	6-69	13907	10-7, 10-11	16556	8-3
1033746	6-91	13959	9-3	16557	8-3
1033897	6-89, 6-91, 8-21	14131	6-85, 6-87, 8-17,	16562	6-87, 8-17
1033899	6-91		8-19	16563	6-87, 8-17, 8-19
1034105	6-49	14330	6-43	16667	6-129
1035814	6-75	14331	6-43	16669	6-15
1035837	6-75	14432	6-165, 8-28, 9-11,	16695	10-21, 10-24
1037311	7-17		9-13	16706	13-5, 14-5
1037312	7-17	14595-1	8-2	16707	13-5
1037313	7-17	14601	6-44, 8-3	16710	13-5
10392	9-20	14605	6-147, 6-149, 8-2,	16711	13-5
1040607	8-7		8-9, 8-45	16712	13-5
1042535	6-157, 10-35	14700-1	6-32, 8-37	16713	8-17
1044757	6-75	14700-2	6-32, 8-37	16735	6-53, 7-3, 8-15,
1045764	6-75, 8-27	14700-3	6-32, 8-37		16-9, 16-11, 16-13,
10464	6-161, 8-67	14700-4	6-32, 8-37		16-15, 16-23
1046796	17-15	14700	6-32, 8-37	16738	6-78, 6-79
10488	7-18, 7-19	14854	6-39	16739	13-5
1049364	8-5	14877	6-25, 6-167	16820	6-71, 8-23
10509	6-78, 6-79, 6-81,	150516	7-11	16848	8-32
	7-18, 7-19, 8-29	15331	6-165	16851	11-12, 13-13, 14-13
10576	6-75, 8-27	15398	6-17	16852	11-12, 13-13, 14-13
10632-1	6-144	15543-2	6-79, 7-18, 7-19	16853	6-3, 11-17, 13-18
10632-12	6-9	15543	6-78, 6-79, 6-81,	16855	13-13, 14-13
10632-19	6-23, 9-3		6-83, 7-19, 7-21,	16865	11-12
10632-5	9-6		8-29	16928	6-172
10664	6-154, 8-48	15555-1	6-87	16930	8-22
10701	9-3, 9-4, 9-5, 9-6	15555-2	8-21	16931	6-163, 8-3, 8-21,
10754	7-3	15675	6-163		16-7, 16-15, 16-23,
10756	7-3, 7-5, 7-7	15724	7-7, 9-8		16-26
10829	6-32, 8-37	15785	8-3	16933	8-3
10830	6-61, 7-17	15806	8-3	16936	8-34
10831	6-47, 6-49	16143	11-12, 13-13	16949	6-11, 6-13, 6-131,
11048	6-17	16147	13-13		7-23, 8-19, 8-65
11399	6-25, 6-57, 6-70,	16153	11-5, 13-7, 14-7	16950	8-19
	6-73, 6-167, 7-9,	16174	13-13	16953	6-11, 6-149, 8-45
	7-11, 8-25, 9-16	16387	6-57, 6-59	17269	6-32, 8-37
11442-1	7-3, 7-5, 7-7	16400	6-161, 8-67	17980	6-27, 6-31
11442-7	6-25	16411	6-5	18595	6-167
11442-8	6-25	16412	6-5	19048	6-85, 6-87
11476	6-21, 6-23	16418	9-5, 9-6	19064	6-13
11531	6-3, 6-4, 6-71,	16419	9-5, 9-6	19065	6-131, 7-23, 8-65
	6-169, 8-23, 8-27	16420	9-5, 9-6	19066	8-9
11716	6-17	16421	9-5	19309	6-13
11870	6-25	16422	9-5, 9-6	19310	6-131, 6-132, 7-23,
11893	6-92, 8-35				8-65

CROSS REFERENCE

Part Number	Page Number	Part Number	Page Number	Part Number	Page Number
19311	6-47, 6-49	24012-1	6-63, 6-65, 8-13, 8-15	26565	6-17, 6-25, 6-44, 6-147, 6-149, 6-158, 8-45
19312	6-61, 7-17	24012	6-67, 6-69	26663	6-43
19313	8-34	24047	7-3, 7-5, 7-7	27048	6-87, 7-3, 7-5, 7-7, 7-11
19315	6-47, 6-49, 6-61, 6-131, 7-17, 7-23, 8-65	24142	9-3	27474	6-9, 6-175
19316	6-75, 6-131, 7-23, 8-21, 8-27, 8-65	24227	9-3	27773	9-16
19317	6-11, 6-13, 6-61, 7-17	24298	9-3	27774	6-139, 6-141, 6-143, 8-43
19321	6-13	24339	6-34	27792	6-27, 6-31, 10-21
19572	6-157	24427	9-3	27978	6-11, 6-13, 6-41, 6-75, 8-21, 8-27
19659	6-165	24576-1	9-4	27979	6-11, 6-67, 6-73, 6-89, 6-91, 7-7, 8-19, 8-25
19747	17-15	24576	9-4	27980	6-11, 6-61, 6-73, 6-149, 6-161, 7-17, 8-19, 8-25, 8-45, 8-67
20021	6-44, 6-173	24584	7-3	27981	6-11, 6-73, 8-25
20177	6-53, 6-55	24593	6-9, 6-11	27988	6-51, 6-67, 6-69, 6-77
20983	6-73, 8-25	24594	6-13	27989	6-55
21194	6-11	24698	8-5, 8-7	27990	6-55
21195	6-51, 6-53, 6-55, 6-149, 6-155, 6-163, 8-45	24924	6-78, 6-79	27991	6-49, 6-53
21197	6-11, 6-49, 6-53	24928-1	7-3, 7-5, 7-7, 9-14	28835	10-21
21198	6-11, 6-49, 6-73, 6-77, 8-13, 8-19, 8-25	24929	7-5	29035	6-25
21298	6-4, 6-87	25014	6-42, 6-47, 6-65, 6-67, 6-69	29192	9-3
21639	9-3	25046	6-41, 6-75, 8-27	29558	6-19
21690	6-129	25047	6-61, 7-16	29831-6	6-92
21693	6-129	25048	6-149, 8-45	29832-7	6-45, 8-5
21726	6-63, 6-65, 8-13, 8-15	25179	6-71, 8-23	30035	11-15, 14-16
21782	11-8, 13-9, 14-9	25180	6-45	30036	11-16, 13-17, 14-17
21796	15-3, 15-29	25181	6-117	30065	11-9
21909	10-17	25182	6-117	310580	8-34
21910	10-17	25186	6-8, 6-11	311828	7-11
21911	10-17	25189	6-161, 8-67	31260	6-25
21912	10-15, 10-17	25195	6-28	31354	10-21, 10-24
21913	10-17	25207	6-161, 8-67	31377	10-21, 10-24
21914	10-15, 10-17	25212	6-161, 8-67	31382	10-21, 10-24
22134	6-39, 6-41, 8-39	25216	6-161, 8-67	31556	6-144, 10-29
22227	7-7	25217	6-44	31557	6-145, 8-46
22290	6-39, 6-41, 8-39	25218	6-44	31559	6-145, 6-146, 8-46
22297	6-3, 6-4, 6-18, 6-28, 6-29, 6-78, 6-79, 6-81, 6-83, 7-18, 7-19, 7-21, 8-29, 8-31	25219	6-17	31565	6-139, 6-141, 6-143, 8-43
22308-1	7-3	25220	6-17	31570	6-139, 6-141, 6-143, 8-43
22309	6-47, 7-3	25312	9-15	31572	6-153
22604	6-144, 10-23	25359	6-161, 8-67	31575	6-147, 6-149, 8-45, 10-27
22640	9-4	25360	6-169	31592	6-71
22673	10-34, 10-35	25364	6-161, 8-67	31593	6-153
23191	6-18	25365	6-161, 8-67	31597	6-139, 6-141, 6-143, 8-43
23498	6-3, 6-4, 6-161, 6-163, 6-169, 6-171, 8-67	25373	6-161, 8-67	31598	6-139, 6-141, 8-43
23515	6-25	25383	6-161, 8-67	31599	6-145, 8-46
23563	6-25	25384	6-161, 8-67	31600	6-139, 6-141, 6-143, 8-43
23999-8	6-45	25610	6-89		
		25632	6-161, 8-67		
		25636	6-161, 8-67		
		25637	6-161, 8-67		
		25639	6-161, 8-67		
		25640	6-161, 8-67		
		25649	6-3, 6-4, 6-171		
		25659	6-39		
		25821	6-163		
		26156	6-18		
		26315	6-43		
		26496	7-3, 7-5, 7-7		
		26509	6-78, 6-79		
		26523	6-129, 6-131, 7-23, 8-65		

CROSS REFERENCE

Part Number	Page Number	Part Number	Page Number	Part Number	Page Number
31602	6-139, 6-141, 6-143, 8-43	32492	6-11, 6-47, 6-49, 6-65, 6-69, 6-73, 6-163, 6-173, 8-7, 8-13, 8-15, 8-25, 16-11, 16-12, 16-15, 16-23	34097	10-4
31603	6-139, 6-141, 6-143, 8-43	32493	6-27, 6-31, 6-49, 6-73, 6-75, 6-172, 8-7, 8-25, 8-27	34158	10-4
31605	6-27, 6-31	32517	6-131, 7-23, 8-65	34159	10-4, 10-9, 10-13
31606	6-139	32524	6-17	34160	10-4
31608	6-139	32552	6-45, 6-47, 8-5	34161	10-4
31610	6-139, 6-141, 8-43	32575	6-9	34162	10-4
31611	6-139, 6-141, 8-43	32580	6-9, 6-13	34178	10-23
31612	6-139	32587	6-87, 8-17, 8-19	34179	10-23
31613	6-145, 6-146, 8-46	32590	6-87, 8-17, 8-19	34189	11-18
31632	6-147	32724	6-165	34193	11-18
31634	6-23	32759	6-147, 6-149, 8-45	34194	6-45, 8-3
31638	10-29	32761	6-147, 6-149, 8-45, 10-28	34297	11-18
31639	10-29	32798	6-132	34310	6-150, 10-4
31642	10-27	32808	8-17, 8-19	34312	6-11
31643	10-27	32814	8-3	34351	6-139, 6-141, 8-43
31668	6-8, 6-11	32826	9-3	34359	6-17
31672	6-139, 6-141, 6-143, 8-43	32895	6-41	34365	8-11, 16-15
31703	6-169	32975	6-13	34375	9-8
31705	6-35	32978	6-89, 6-91, 6-131, 7-23, 8-65	34380	6-139, 6-141, 6-143, 8-43
31940	14-7	32980	6-89, 6-91	34387	6-139
31942	13-3	32981	6-149, 8-21, 8-45	34420	6-139
31943	13-3	32983	6-13, 6-55, 6-65, 6-67, 6-69, 6-70, 6-83, 6-157, 7-21, 8-11, 8-13, 8-15, 8-31	34422	6-139
31944	11-3	32984	6-89, 6-91, 7-5, 7-7, 8-21	34429	11-14, 13-15, 14-15
31945	11-3	32985	6-49, 6-75, 6-172, 8-27	34547	13-13
31960	9-5	32988	8-13	34640	11-13, 13-14, 14-14
32117	6-8, 6-11, 6-159	33327	6-167, 10-2	34726	6-3, 11-18
32126	6-35, 6-37	33510	6-173	34727	11-18
32415	6-172	33580	10-23	34749	11-16
32435	8-17, 8-19	33743	6-173	34752	11-15, 13-16, 14-16
32436	8-17, 8-19	33744	6-173	34792	9-20
32477	6-42	33745	6-173	34796	11-13, 13-14, 14-14
32483	6-11, 6-41, 6-47, 6-49, 6-69, 6-75, 8-21, 16-23	33746	6-173	34797	11-16
32485	6-41, 6-47, 6-51, 6-53, 6-55, 6-77, 8-13	33747	6-173	34798	11-16
32486	6-11, 6-21, 6-23, 6-151, 6-152	33748	6-173	34801	8-32
32490	6-11, 6-61, 6-73, 6-75, 6-91, 6-131, 7-17, 7-23, 8-9, 8-25, 8-27, 8-65	33749	6-173	34802	8-32, 8-33
32491	6-11, 6-13, 6-49, 6-51, 6-55, 6-65, 6-67, 6-69, 6-70, 6-73, 6-75, 6-83, 6-89, 6-91, 7-5, 7-7, 7-21, 8-5, 8-11, 8-13, 8-15, 8-19, 8-21, 8-22, 8-25, 8-27, 8-31, 8-34, 16-7	33782	9-6	34803	8-32, 8-33
		33783	9-6	34804	8-32
		33843	11-19	34805	6-45
		33848	11-19	34810	6-129, 6-131, 7-23, 8-65
		33849	11-19	34813	6-129, 6-131, 8-65
		33850	11-19	34820	6-131, 7-23, 8-65
		33855	11-18	34833	6-45, 8-3
		34065	6-45, 8-3	34841	8-32, 8-33
		34092	10-4	34866	8-32, 8-33
		34094	10-4	34873	11-14, 13-15, 14-15
				34876	11-5, 13-7, 14-7
				34877	6-45
				34880	7-3
				34881	7-3
				34908	6-63, 8-3
				34954	8-3
				34996	6-78, 6-79
				34997	6-78, 6-79
				35002	6-146
				35033	6-144, 6-151, 6-158, 8-47
				35586	6-75, 6-144
				35756	6-53, 6-55

CROSS REFERENCE

Part Number	Page Number	Part Number	Page Number	Part Number	Page Number
35980	8-7	369141	15-11	369203	15-15
36050	6-4, 8-19	369142	15-15	369204	15-15
36050AM	6-87	369143	15-5	369205	15-11
360936	7-7	369144	15-13	369206	15-7
36328	6-28, 6-29, 6-157, 6-173	369145	15-5	369207	15-5
363992	6-127, 8-63	369146	15-11	369208	15-5
36417	6-45, 8-2	369147	15-15	369209	15-3
36466	6-173	369148	15-15	369210	15-17
365356	6-75, 8-27	369149	15-7	369211	15-23
36644	6-169, 6-171	369150	15-7	369212	15-23
367108	6-33	369151	15-9	369213	15-15
368132	6-73, 8-25	369152	15-9	369214	15-25
36829	6-158	369153	15-7	369216	15-21
36845	6-163	369154	15-17	369217	15-11
369000	15-25	369155	15-14	369223	15-27
369001	15-15	369156	15-23	369224	15-11
369002	15-9	369157	15-13	369226	15-17
369003	15-23	369158	15-15	369227	15-23, 15-28
369004	15-11	369159	15-7	369228	15-7, 15-28
369005	15-9	369160	15-9	369229	15-26, 15-28
369006	15-15	369162	15-15	369230	15-25, 15-28
369007	15-11	369163	15-15	369231	15-17
369008	15-15	369164	15-21	369232	15-11, 15-29
369009	15-29	369165	15-15	369233	15-17, 15-28
369010	15-23	369166	15-9	369234	15-25, 15-28
369012	15-13	369167	15-15	369235	15-11, 15-29
369014	15-25	369168	15-15	369236	15-11, 15-29
369015	15-15	369169	15-5	369237	15-3
369016	15-9	369170	15-7	369238	15-3
369018	15-12	369171	15-3	369239	15-23
369019	15-3	369172	15-5	369240	15-23
369020	15-11	369173	15-7	369241	15-15
369022	15-15	369174	15-11	369242	15-15
369023	15-9	369175	15-15	369243	15-9
369025	15-11	369176	15-15	369244	15-25
369026	15-15	369177	15-15	369245	15-23
369027	15-13, 15-29	369178	15-17	369246	15-25
369028	15-25, 15-29	369179	15-13	369247	15-25
369029	15-25, 15-29	369181	15-13	369248	15-26
369030	15-17, 15-28	369182	15-3	369249	15-9
369031	15-11	369183	15-14	369250	15-15
369032	15-3	369184	15-15	369251	15-11
369034	15-25	369185	15-23	369253	15-15
369035	15-11	369186	15-15	369254	15-9
369036	15-3	369187	15-9	369255	15-13
369037	15-11	369188	15-15	369256	15-13
369038	15-15	369189	15-15	369257	15-11
369039	15-15	369190	15-15	369258	15-27
369040	15-15	369191	15-15	369259	15-17, 15-28
369089	15-18	369192	15-15	369260	15-11, 15-15
369090	15-18	369193	15-15	369261	15-7
369131	15-27	369194	15-15	369262	15-17, 15-18
369132	15-5	369195	15-9	369263	15-17
369133	15-13	369196	15-11	369268	15-15
369134	15-9	369197	15-7	369269	15-15
369135	15-15	369198	15-7	369270	15-15
369137	15-5	369199	15-23	369271	15-17
369138	15-11	369200	15-7	369272	15-15
369140	15-3, 15-11	369201	15-3	369273	15-17
		369202	15-15	369274	15-17

CROSS REFERENCE

Part Number	Page Number	Part Number	Page Number	Part Number	Page Number
369275	15-17	370840	11-8, 13-9	371570	6-77
369276	15-17	370842	11-5	371572	6-47
369277	15-17	370843	11-7	371573	6-65, 6-67
369278	15-26, 15-28	370885	15-3	371575	6-73
369279	15-15	370886	15-25	371579	6-73
369280	15-25	370887	15-26	371580	6-47, 6-131, 7-23
369281	15-17	37089	6-8, 6-175	371581	6-81, 8-29
369282	15-14	371500	6-70	371582	6-77
369283	15-29	371502	6-70	371583	7-5
369284	15-5	371503	6-70	371587	8-5
369285	15-28	371504	6-70	371588	8-5
369286	15-5	371505	6-70	371589	8-5
369287	15-5	371507	6-47	371590	8-5
369289	15-3	371508	6-47, 6-49	371594	8-25
369290	15-7	371509	6-47, 6-49, 6-51, 6-61, 6-77, 7-17	371595	8-25
369292	15-9	371511	6-47	371596	8-25
369293	15-5	371512	6-47, 6-49	371597	8-22
369294	15-9	371513	6-47	371598	8-22
369295	15-3	371514	6-47	371599	8-22
369296	15-3	371516	6-47, 6-49	371600	8-5
369297	15-5	371517	6-47	371601	8-22
369298	15-5	371518	6-47, 6-49	371602	8-11, 16-15
369299	15-11	371519	6-47, 6-49	371603	8-11, 16-15
369701	6-165	371520	6-47, 6-49, 6-57	371606	8-5
369704	6-9, 6-11	371522	6-51	371607	8-29
369745	6-79, 6-81, 6-83, 7-19, 7-21, 8-29	371523	6-51	371609	8-5
369746	6-4, 6-79, 6-81, 6-83, 7-19, 7-21, 8-29	371524	6-51	371613	8-5, 8-22
369747	6-79, 6-81, 6-83, 7-19, 7-21, 8-29	371525	6-51	371614	8-5, 8-22
369748	6-14	371526	6-51, 6-53, 6-55	371615	8-22
369749	6-9	371527	6-51, 6-53, 6-55	371617	8-5
369750	6-9	371528	6-51	371618	8-5
369751	6-79, 6-81, 6-83, 7-19, 7-21, 8-29	371529	6-51	371620	8-22
370133	6-173	371530	6-51	371621	8-25
370700	14-8	371532	6-57, 7-9, 7-11	371622	8-5
370705	11-18	371533	6-57	371623	8-25
370706	11-16	371534	6-57	371624	8-5
370707	11-18	371535	6-57	371625	8-5
370725	11-5, 13-7, 14-7	371536	6-57	371626	8-5
370726	11-7, 13-8, 14-8	371537	6-57	371627	8-5
370806	15-11	371538	6-57, 7-9, 7-11	371628	8-5
370807	15-15	371545	6-77	371629	8-5
370809	15-17	371548	6-117	371630	8-5
370810	15-17	371549	6-47	371631	8-5
370811	15-17	371550	6-47	371632	8-5
370812	15-17	371551	6-47	371634	8-5
370814	15-18	371552	6-47	371635	8-25
370815	15-19	371553	6-47, 6-61, 7-17	371636	8-5
370816	15-19	371556	6-47	371637	6-4, 8-11
370819	15-21	371557	6-77	371638	8-5
370820	15-21	371558	6-77	371639	6-77
370821	15-21	371559	6-77	371640	8-5
370823	15-23	371560	6-77	371644	8-25
370825	15-25	371561	6-77	371645	6-57, 10-37
370826	15-26	371563	6-77	371646	6-57, 7-9, 7-11
370827	8-13, 15-26	371564	6-77	371647	6-57, 7-9, 7-11
		371565	6-77, 6-81	371648	10-37
		371566	6-77	371649	10-37
		371567	6-77	371650	10-37
		371568	6-77	371651	10-36, 10-37
				371652	10-37

CROSS REFERENCE

Part Number	Page Number	Part Number	Page Number	Part Number	Page Number
371653	10-36, 10-37	372495	7-13	372676	16-17
371654	10-36, 10-37	372496	7-13	372677	16-21, 17-19
371655	10-37	372497	7-13	372678	8-15, 16-21, 17-19
371656	10-37	372498	7-13	372679	16-21, 17-19
371657	10-37	372500	7-13	372680	16-21, 17-19
371658	6-57, 7-9, 7-11	372501	7-13	372681	16-23, 17-21
371659	10-37	372503	7-13	372682	16-23, 17-21
371660	10-36, 10-37	372504	7-13	372683	16-23, 17-21
371661	6-87	372505	7-13	372684	16-11
371663	7-9, 7-11, 10-36	372506	7-13	372685	16-11
371665	10-36	372507	7-13	372686	16-17
371666	10-36	372508	7-13	372687	16-25
371668	10-36	372510	7-13	372688	16-25, 17-22
371669	10-36	372511	7-13	372689	16-25, 17-22
371670	10-36	372512	7-13	372690	16-25, 17-22
371671	6-4, 7-5	372514	7-13	372691	16-5, 16-9, 17-5, 17-9
371673	7-9, 7-11	372515	7-13	372692	16-9, 17-9
371674	7-9, 7-11	372516	7-13	372693	16-9, 17-9
371675	7-9, 7-11	372517	7-13	372694	16-9, 17-9
371676	7-5	372518	7-13	372695	16-9
371677	7-9, 7-11	372523	7-13	372696	16-7, 17-7
371713	10-36	372526	7-13	372697	16-5, 17-5
371714	10-36, 10-37	372527	7-13	372698	16-5, 17-5
371715	10-36, 10-37	372528	7-13, 7-17	372699	16-5, 17-5
371716	10-37	372529	7-17	372700	16-5
371718	10-36, 10-37	372531	7-13	372701	16-5
371747	8-25	372539	7-17	372702	16-5, 17-5
371761	6-49	372545	6-59, 6-61, 7-13, 7-17	372703	16-5
371764	6-57, 6-61, 7-9, 7-11	372569	7-13	372704	16-5, 17-5
371865	6-55	372577	7-13	372705	16-5, 17-5
371875	6-61, 7-17	372579	7-17	372706	16-3, 17-3
371877	6-61, 7-17	372608	7-13	372707	16-3
371891	12-3	372610	7-13	372708	16-3, 17-3
372235	6-127	372611	7-13	372709	16-3, 17-3
372236	6-127	372612	7-13	372710	16-3, 17-3
372237	6-127	372615	6-4, 7-13	372711	16-3
372251	12-7	372653	16-17, 17-17	372712	16-3
372440	6-4, 6-89, 6-91	372654	6-4, 16-15, 17-15	372713	16-3, 17-3
372445	6-49	372655	16-26, 17-21, 17-23	372714	16-3
372448	6-4, 8-31	372656	16-26, 17-23	372715	16-3, 17-3
372456	6-49	372657	16-26, 17-23	372716	16-3, 17-3
372457	6-49	372658	16-26, 17-23	372717	16-3, 17-3
372458	6-49	372659	16-26, 17-23	372718	16-3, 17-3
372466	6-59, 6-61, 7-17	372660	16-12, 17-12	372719	16-3, 17-3
372470	6-61, 7-13, 7-16	372661	16-21, 17-19	372720	16-3
372472	6-59, 6-61, 7-13, 7-17	372662	16-21	372721	16-3, 17-3
372473	6-49	372663	16-21	372722	16-7, 17-7
372474	6-49	372664	16-7, 17-7	372723	16-7
372479	6-49	372665	16-7	372724	16-7, 17-7
372482	6-59, 7-13	372666	16-12, 17-12	372725	16-7, 17-7
372483	6-59, 6-61, 7-13, 7-17	372667	16-12, 16-17, 17-7, 17-12, 17-17	372726	16-7
372484	7-13	372668	16-15	372727	16-7
372488	6-59	372669	16-15, 17-15	372728	16-7
372489	6-59, 7-13	372670	16-15, 17-15	372729	16-7
372490	6-59, 7-13	372671	16-19, 17-18	372730	16-7
372491	6-67	372672	16-19, 17-18	372731	16-12, 17-12
372492	6-59, 7-13	372673	16-17	372732	16-12, 16-17, 17-7, 17-12, 17-17
372493	6-59, 7-13	372674	16-17, 17-17	372733	16-12, 17-12

CROSS REFERENCE

Part Number	Page Number	Part Number	Page Number	Part Number	Page Number
372734	16-12, 17-12	372795	16-11, 17-11	372897	9-20
372735	16-12, 16-23, 17-12, 17-21	372796	16-7, 17-7	372899	7-13
372736	16-12, 17-12	372797	16-5, 17-5	372934	16-3
372737	16-5, 17-5	372798	16-5	372935	16-3
372738	16-5, 17-5	372800	16-15, 17-15	372936	16-3
372739	16-5, 17-5	372801	16-15	372937	7-11
372740	16-5, 17-5	372802	16-17, 17-17	372938	16-7, 17-7
372741	16-5	372803	16-15, 17-15	372939	16-7, 17-7
372742	16-5, 17-5	372804	16-15, 17-15	372940	16-7, 17-7
372743	16-5, 17-5	372805	16-15, 17-15	372941	6-89, 8-21
372744	16-5, 17-5	372806	16-15, 17-15	373201	10-15, 10-19
372745	16-5, 17-5	372807	16-15, 17-15	373211	10-15, 10-19
372746	16-5, 17-5	372808	16-15, 17-15	373218	10-11
372747	16-5, 17-5	372809	16-15	373228	10-15
372748	16-5, 17-5	372810	16-15	373229	10-15
372749	16-5, 17-5	372812	16-17	373230	10-15
372750	16-5, 17-5	372813	16-17	373231	10-15, 10-19
372751	16-5, 17-5	372814	16-17, 17-17	373232	10-15, 10-19
372752	16-5, 17-5	372815	16-17	373233	10-15, 10-19
372753	16-8, 17-8	372816	16-21	373235	10-15, 10-19
372754	16-8, 17-8	372817	16-21	373237	10-15, 10-17
372755	16-8, 17-8	372818	16-3	373239	10-15, 10-17
372756	16-8, 17-8	372819	16-25, 17-22	373240	10-15, 10-17
372757	16-8	372820	16-25, 17-22	373241	10-15
372758	16-8	372821	16-25, 17-22	373242	10-15, 10-19
372760	16-8	372822	16-25, 17-22	373243	10-15
372761	16-8	372823	16-25, 17-22	373245	6-151, 8-47, 10-15
372762	16-8	372824	16-25, 17-22	373255	10-19
372763	16-8	372825	16-19, 17-18	373267	10-19
372764	16-8	372826	16-19, 17-18	373284	10-19
372765	16-8	372827	16-19, 17-18	373285	10-19
372766	16-8	372828	16-19	373286	10-19
372767	16-8, 17-8	372829	16-19, 17-18	373287	10-19
372768	16-15, 17-15	372830	16-19, 17-18	373288	10-19
372769	16-15, 17-15	372831	16-19, 17-18	373374	10-13
372770	16-15, 17-15	372832	16-17	373375	10-13
372771	16-15, 17-15	372834	16-23, 17-21	373403	10-15, 10-19
372772	16-27, 17-24	372835	16-23, 17-21	373404	6-151, 6-152, 8-47, 10-11, 10-13
372773	16-27, 17-24	372836	16-23, 17-21	373407	10-11
372775	16-11, 17-11	372837	16-23	373408	10-11
372776	16-11, 17-11	372838	16-23, 17-21	373409	10-11
372777	16-11, 17-11	372839	16-23, 17-21	373410	10-11
372778	16-11, 17-11	372840	16-23, 17-21	373412	10-13
372779	16-11, 17-11	372841	16-23, 17-21	373413	10-13
372780	16-13, 17-13	372842	16-23, 17-21	373414	10-11
372781	16-13, 17-13	372843	16-23	373415	10-11
372782	16-13, 17-13	372844	16-23	373552	10-17
372783	16-13, 17-13	372845	16-23	373590	10-34, 10-35
372784	16-13, 17-13	372846	16-23, 17-21	373611	10-34, 10-35
372785	16-13, 17-13	372847	16-23, 17-21	373616	10-19
372786	16-13, 17-13	372848	16-23, 17-21	373624	10-34, 10-35
372787	16-13, 17-13	372849	16-23, 17-21	373625	10-34, 10-35
372788	16-11	372850	16-23, 17-21	373626	10-34
372789	16-11, 17-11	372851	16-23, 17-21	373689	10-35
372790	16-11, 17-11	372852	16-23	373702	11-7
372791	16-11	372853	16-17	374119	6-129, 6-131, 6-132, 7-23, 8-32, 8-33, 8-65, 9-8
372792	16-11	372854	16-23	374127	8-33
372793	16-11	372859	7-13		
372794	16-11, 17-11	372860	6-59		
		372891	6-59, 7-13		

CROSS REFERENCE

Part Number	Page Number	Part Number	Page Number	Part Number	Page Number
374147	15-21	38388	13-5	38572	11-9, 13-10, 14-10
374148	15-21, 15-26	38389	13-5	38665	11-5, 14-7
374229	15-21	38392	13-5	38753	11-7, 13-8, 14-8
374240	6-43	38393	13-5, 14-5	38757	11-5
37450	10-4	38394	13-14, 14-14	38758	11-3, 13-3, 14-3
37451	10-4	38397	11-5, 14-7	38774	11-5, 14-7
37453	10-4	38401	11-15, 13-16, 14-16	38784	11-9
374532	7-3	38402	11-17, 13-18, 14-18	38787	11-9, 13-10, 14-10
37460	10-7, 10-11	38403	11-16, 13-17, 14-17	38788	11-14, 13-15, 14-15
37462	10-4, 10-7, 10-11	38404	11-3, 13-3, 14-3	38789	11-18
374648	7-3	38405	11-17, 13-18, 14-18	388014	13-5
374649	7-3	38406	11-17, 13-18, 14-18	388078	11-7
37467	10-4	38408	11-3, 13-3, 14-3	388080	11-7, 13-8, 14-8
375117	8-21, 8-32, 8-33	38409	11-17, 13-18, 14-18	388139	13-10, 14-10
375132	7-9	38410	11-18	388153	6-32, 8-37
37524	6-43	38411	13-5	388224	11-8, 13-9, 14-9
375585	6-71, 6-77, 8-25, 8-27	38412	13-5	388260	11-3, 13-3, 14-3
375613	6-161, 8-67	38413	11-3, 13-3, 14-3	388338	13-7
375614	6-161, 8-67	38415	13-5, 14-5	38836	13-10, 14-10
375676	8-33	38416	11-11, 13-12, 14-12	38839	13-10, 14-10
375724	6-171	38417	13-5, 14-5	38840	11-9
375761	6-141, 6-143, 8-43	38418	13-17, 14-17	38842	13-10, 14-10
37616	10-23	38419	13-5	38843	11-13, 13-14, 14-14
37617	10-21, 10-24	38420	11-13, 13-14, 14-14	38845	13-10, 14-10
377337	6-4, 7-5	38421	11-13	38847	11-9, 13-10, 14-10
377537	6-5	38449	13-9	38848	11-9
377538	6-5	38488	13-5	38850	11-9
377540	6-5	384971	7-17	388548	15-17
37756	10-23	384973	7-17	38855	11-11, 14-12
37766	10-23	384974	6-61, 7-17	38856	11-17, 13-18, 14-18
37828	15-17	384975	7-17	38857	11-17, 13-18, 14-18
378967	6-161, 8-67	384977	7-17	38859	11-16
378997	6-129	384978	7-17	38873	10-25
37934	11-16	384979	7-17	38916	11-9, 13-10, 14-10
37942	11-5, 13-7, 14-7	384985	6-61, 7-17	38917	11-9, 13-10, 14-10
37973	15-19	384986	7-17	38918	11-14, 13-15, 14-15
38010	11-16	384996	7-17	38919	11-17, 13-18, 14-18
380503	9-20	384998	6-127	38920	11-10, 14-11
380520	8-7	384999	6-127	38923	11-5, 13-7, 14-7
380547	8-11	385000	6-61, 7-17	38924	11-13, 13-14, 14-14
380548	8-11	385001	6-61, 7-17	38968	10-23
380564	8-11	385002	6-61, 7-17	38991	11-18
380770	8-21	385003	6-61, 7-17	38992	11-19
38082	11-3, 13-3, 14-3	385004	6-61, 7-17	39005	8-9
381856	6-143	385005	6-61, 7-17	391800	6-45, 6-47, 8-3, 8-5
382266	6-87, 8-21	385006	6-61, 7-17	391823	6-87, 8-17, 8-19
382507	6-73, 8-25	385007	6-61, 7-17	391839	9-13
382516	6-129, 6-131, 7-23, 8-65	385008	6-61, 7-16	391844	6-161, 8-67
38255	10-23	385009	6-91	391846	8-28
383722	6-131, 6-132, 7-23, 8-65	385010	6-127	391854	6-161, 8-67
383723	6-129, 6-131, 7-23, 8-65, 9-3	385011	7-17	391858	6-71
38379	13-5, 14-5	385012	7-17	391900	8-63
38381	11-11, 13-12, 14-12	385013	7-17	391901	6-127
38384	13-5	385014	7-17	391902	6-127, 8-63
38385	13-5	385015	7-17	391905	6-131, 7-23, 8-65
38386	13-5	385016	7-17	391907	6-127, 8-63
		385017	7-17	391908	6-127, 8-63
		385018	6-127	391909	6-127, 8-63
		385019	6-49	391922	9-3
		38550	11-18	392258	7-11

CROSS REFERENCE

Part Number	Page Number	Part Number	Page Number	Part Number	Page Number
392528	6-117	393683	11-3, 13-3, 14-3	393756	11-16
392529	8-33	393684	11-3, 13-3, 14-3	393757	11-16
392530	6-73, 8-25	393685	11-3, 13-3, 14-3	393760	11-18
392532	6-8, 6-11	393686	14-3	393761	11-19
392534	6-73, 8-25	393687	11-3, 13-3, 14-3	393762	11-19
392535	6-8, 6-13	393688	14-5	393763	11-19
392537	7-5	393689	14-5	393764	11-19
392539	6-77	393690	14-5	393765	11-18
392540	6-65	393691	14-5	393806	12-7
392543	6-65, 8-13, 8-15	393692	14-5	393807	12-7
392544	8-25	393693	13-5, 14-5	393808	12-7
392545	6-70	393694	13-5, 14-5	393809	12-7
392546	7-5, 7-7	393695	11-5, 13-7, 14-7	393810	12-7
392547	8-11	393696	11-5, 13-7, 14-7	393811	12-7
392548	8-19, 8-21	393698	14-8	393812	12-7
392549	8-13	393699	11-7, 13-8, 14-8	393813	12-7
392550	8-5	393700	11-7, 13-8, 14-8	393814	12-7
392551	6-175	393701	11-7, 13-8, 14-8	393815	12-7
392552	8-11	393702	13-8, 14-8	393816	12-7
392553	8-19	393703	11-7, 13-8, 14-8	393817	12-12
392554	8-19	393705	11-8, 13-9, 14-9	393818	12-12
392555	8-19	393706	14-9	393819	12-12
392559	6-87	393707	11-8, 13-9, 14-9	393820	12-12
392611	6-53, 6-55	393708	13-10, 14-10	393821	12-12
392647	6-75	393709	13-10, 14-10	393822	12-12
39272	6-92, 8-35	393710	13-10, 14-10	393823	12-12
39274	6-27, 6-31	393711	13-10, 14-10	393824	12-3, 12-9, 12-11,
39277	6-69, 6-75, 7-5, 8-3, 16-8, 16-15, 16-17, 16-19, 16-25, 16-26	393712	13-10, 14-10		12-12
39278	8-3	393713	11-9, 13-10, 14-10	393825	12-12
39279	6-71	393714	11-9, 13-10, 14-10	393826	12-11, 12-12
39281	16-21	393715	14-11	393827	12-12
39283	16-12	393716	14-3, 14-12	393828	12-12
39284	6-45, 6-47, 8-3, 8-7	393717	11-11, 13-12, 14-12	393829	12-12
39309	8-5, 8-7	393718	13-12, 14-12	393830	12-12
39312	8-3	393719	14-13	393831	12-12
393223	9-20	393720	11-12, 13-13, 14-13	393832	12-7
393227	6-53, 6-55	393721	11-15, 13-16, 14-16	393833	12-7
39347	6-165	393722	11-15, 13-16, 14-16	393834	12-11
39348	6-17	393723	14-16	393835	12-11
39349	6-11, 6-75, 6-83, 6-89, 6-91, 6-157, 7-21, 8-21, 8-27, 8-31, 16-7, 16-8, 16-9, 16-11, 16-13, 16-15, 16-17, 16-19, 16-21, 16-23, 16-25, 16-26	393724	11-17, 13-18, 14-18	393836	12-11
39350	6-65, 6-67, 6-69, 6-163, 8-13, 8-15	393725	11-3	393837	12-11
393662	12-7	393726	11-3, 13-3	393838	12-11
393663	12-7	393728	11-3	393839	12-11
393665	15-11	393730	11-3, 13-3	393840	12-11
393675	15-17	393732	11-3, 13-3	393841	12-11
393676	15-17	393733	11-5	393842	12-11
393677	14-3	393734	11-7, 13-8, 14-8	393843	12-11
393678	14-3	393735	11-7	393844	12-11
393679	11-3, 11-16, 14-3	393736	11-7, 13-8	393845	12-11
393680	11-3, 13-3, 14-3	393737	11-7	393846	12-11
		393742	11-9	393847	12-11
		393744	11-9	393848	12-9
		393747	11-10, 13-11	393849	12-9
		393748	11-10, 13-11	393850	12-9
		393749	11-11	393851	12-9
		393750	11-11	393852	12-9
		393751	11-11	393853	12-9
		393753	11-16	393854	12-9
		393754	11-16, 13-17, 14-17	393855	12-9
		393755	11-16	393856	12-9

CROSS REFERENCE

Part Number	Page Number	Part Number	Page Number	Part Number	Page Number
393857	12-9	393912	6-57, 6-59, 7-9, 7-11, 7-14	393968	6-47
393858	12-9			393970	6-73
393859	12-9	393913	6-57, 6-59, 7-9, 7-11, 7-14	393971	6-73
393860	12-9			393972	7-9, 7-11
393861	12-9	393914	6-57, 6-59, 7-9, 7-11, 7-14	393973	6-47
393862	12-9			393975	6-47
393863	12-9	393915	6-57, 6-59, 7-9, 7-11, 7-14	393976	6-117
393864	12-11			393978	6-47
393865	12-9	393916	6-57, 6-59, 7-9, 7-11, 7-14	393981	7-9
393866	12-11			393982	6-4, 6-70
393867	12-9	393917	12-3	393984	6-47, 6-59, 6-61, 7-13, 7-17
393868	12-9	393918	12-3		
393869	12-9	393919	12-5	393985	6-47
393870	12-9	393920	12-5	393986	6-77
393871	12-9	393921	12-5	393993	12-3
393872	12-7	393922	12-5	393994	6-47, 6-49, 6-51, 8-22
393873	12-11	393923	12-5		
393874	12-11	393924	12-5	393996	6-77
393875	12-11	393925	12-5	393998	6-51, 6-53, 6-55, 6-77
393876	12-11	393926	12-5		
393877	12-11	393927	12-5	394916	6-127
393878	12-11	393928	12-5	39527	10-21, 10-24
393879	12-11	393929	12-5	39537	6-75, 8-27
393880	12-11	393930	12-5	395973	6-157
393881	12-11	393931	12-5	39648	6-131, 7-23, 8-65
393882	12-7	393932	12-5	39650	6-13
393883	12-7	393933	12-3	39670	8-5
393884	12-7	393934	6-4, 12-3	39703-2	6-3, 13-18
393886	12-7	393935	12-3	39712	6-131, 7-23, 8-65
393887	12-7	393936	12-3	39807	6-157
393888	12-7	393937	12-3	39809	6-11
393889	12-7	393938	12-3	39810	6-21, 6-23, 6-73, 8-25
393890	12-7	393939	12-5		
393891	12-7	393940	12-5	398205	6-169
393895	12-3	393941	12-5	398279	6-83, 7-21, 9-19
393896	12-3	393942	12-5	398296	6-78, 7-18
393897	12-3	393943	12-5	398344	6-4
393898	6-57, 6-59, 7-9, 7-11, 7-14, 12-3, 12-5	393945	12-5	398468	7-5
		393946	12-5	398473	7-5
393899	12-3	393947	12-5	398474	7-7
393900	12-3	393948	12-5	39912	6-165
393901	12-3	393949	12-5	40052	6-161, 6-169, 8-67
393902	12-3	393950	12-5	40076	6-28, 6-29
393903	12-3	393951	12-3	40171	9-13
393904	12-3	393952	12-3	40173-1	9-13
393905	6-57, 6-59, 7-9, 7-11, 7-14	393953	12-3	40173	9-13
		393954	12-3	40354	6-42
393906	6-57, 6-59, 7-9, 7-11, 7-14	393955	12-3	40362	6-145, 6-146, 6-158, 8-46
		393956	12-3		
393907	6-57, 6-59, 7-9, 7-11, 7-14	393957	12-3	40390	6-28, 6-29, 6-161, 8-67
		393958	12-3		
393908	6-57, 6-59, 7-9, 7-11, 7-14	393959	12-3	40496	6-161, 8-67
		393960	12-3	40514	6-144, 6-151, 6-154, 6-158, 8-47, 8-48, 9-8
393909	6-57, 6-59, 7-9, 7-11, 7-14	393961	12-3		
		393962	12-3	40575	6-21, 6-25
393910	6-57, 6-59, 7-9, 7-11, 7-14	393963	12-3	40585	6-87, 8-17, 8-19, 8-21
		393964	12-3		
393911	6-57, 6-59, 7-9, 7-11, 7-14	393965	12-5	40625	6-45, 6-70
		393966	12-5	40646	6-21, 6-23
		393967	12-5		

CROSS REFERENCE

Part Number	Page Number	Part Number	Page Number	Part Number	Page Number
40670	9-13	42326	13-5	47010-2	6-32, 8-37
40671	9-13	42328	13-8, 14-8	47010-3	6-32, 8-37
40678	6-87	42330	13-8, 14-8	47010-4	6-32, 8-37
40755	6-150, 6-157	42331-1	6-161, 8-67	47010-6	6-32, 8-37
40758	6-21, 6-23	42337	11-7, 13-8, 14-8	47010-7	6-32, 8-37
40759	6-21, 6-23	42368	6-89, 6-91	47178-12	6-129, 7-23
40846	6-17	42370	6-70, 8-11, 16-15	47178-13	6-129, 6-131, 7-23, 8-65
40870-1	6-3, 6-4	42399	6-165	47388	7-3, 11-17, 13-18, 14-18
40870-2	6-161, 8-67	42498	6-28	47498	6-147, 6-149, 6-150, 6-151, 6-152, 8-45, 8-47
40870-7	6-3, 6-4	42499	6-27	47504	6-147, 6-150, 6-151, 6-152, 6-153, 8-45, 8-47, 9-8
40999A	6-28, 6-29	42639	6-29, 6-31	47508	6-150, 6-151, 6-152, 8-47
41007	6-161, 8-67	42809	6-161, 8-67	47512	6-150, 6-151, 8-11, 8-47
41016	6-11, 6-39	43203	6-15	47518	6-27, 6-31, 6-146
41032	6-28, 6-29	43363	6-15, 6-169	47519	6-153
41063	6-25	43454	6-9, 6-13	47535-1	9-4
41066	6-165	43555	6-3, 6-4, 6-81, 6-171, 7-18, 7-19, 8-29, 8-31	47535-2	9-4
41073	6-165	43611	8-9	47535	9-4
41081	6-165	43844	6-87, 6-89, 6-91, 8-7, 8-17, 8-19, 8-21	47536-1	9-4
41082	6-165	44031	6-9, 6-167	47536	9-4
41083	6-165	44078	6-131, 7-23, 8-65	47537-1	9-4
41084	6-165	44310	6-32, 8-37	47537	9-4
41112	6-35	44868	6-147, 6-153, 8-45	47566	6-85, 6-87, 8-17, 8-19
41130	6-161, 6-163, 8-67	44869	6-145, 6-157, 8-46	47585	6-39, 6-41, 8-39
41141	6-11, 6-131, 7-23, 8-65	44906	6-19	47638	6-147, 6-149, 8-45
41142	6-53, 6-55, 8-7	44961	6-165, 7-7	47675	11-18, 13-5, 14-5
41169	6-11, 6-169, 6-171	45181	6-13, 6-131, 7-23, 8-65	47680	11-19, 13-5, 14-5
41185	6-131, 7-23, 8-65	45223	8-32, 8-33, 9-3	47745	6-173
41186	6-45, 6-53, 6-55, 6-163	45224	6-129, 6-131, 7-23, 8-32, 8-33, 8-65	47752	6-144
41187	6-49, 6-155, 8-3	45299	6-73, 8-25	47754	8-11
41195	6-67, 6-75	45333	6-129, 6-131, 7-23, 8-65	47801	6-161, 8-67, 10-30
41342	6-45, 8-3, 16-7, 16-21	45339	9-3	47826	6-78, 6-79, 7-3
41348	8-3	45482	6-163	47846	6-167
41358	6-45, 8-3	45595	6-132	48108A	6-158, 10-31
41359	6-51	45622	10-23	48126	6-43
41437	6-70, 8-11, 16-15	45623	10-23	48144	6-47, 7-3
41686	6-55	45628	10-21, 10-24	48183	6-9, 6-11
42006	13-7, 14-7	45670	9-6	48242	6-9, 6-175
42009	13-7, 14-7	45780	9-3	48267	6-85, 6-87, 6-89, 8-17, 8-19, 8-21
42011	6-53, 6-55	45850	8-17, 8-19	48663	6-144
42082	6-171	46029	6-39, 6-41, 8-39	48665	6-47, 6-49, 8-7
42116	11-5, 13-7, 14-7	46236	6-43, 6-91, 8-17, 8-19	48789	10-2
42120-2	6-165	46314	9-5	48790	6-15
42120-4	6-165	46481	6-71, 6-144, 6-145, 6-150, 6-151, 6-153, 6-154, 8-46, 8-47, 8-48	48791	10-2
42120-9	6-17	46485	7-3	48879	6-39
42120	6-17	46559	6-41	48880	6-150, 10-5
42126	6-27, 6-28	46611	7-3	48884	6-173
42133A	6-167	46711	9-3	48887	6-39
42148	11-8, 13-9, 14-9	46800	6-18	48888	6-34
42149	13-5, 14-5	46928-1	9-6	48891	6-34
42208	6-141, 8-43	47010-1	6-32, 8-37	48897	6-39
42215	6-147, 6-153, 8-45				
42223	6-152				
42240	6-39, 6-41, 8-39				
42260	6-71, 6-144, 6-145, 6-150, 6-157, 8-46				
42311	6-165				
42325	14-18				

CROSS REFERENCE

Part Number	Page Number	Part Number	Page Number	Part Number	Page Number
48899	6-92	51560-5	6-78, 6-79, 6-81, 6-83, 7-18, 7-19, 7-21, 8-28, 8-29, 8-31	52841	13-5
48901	6-17			52845	14-18
48906	10-5			52851	11-11
48907	10-5			52859	13-8, 14-8
48908	10-5	51562	6-42	52872	11-16
48909	10-5	51564	6-28, 6-29, 6-45, 6-47, 6-173, 8-5, 8-7	52886	11-5, 13-7, 14-7
49022	9-3			52887	11-16, 13-14, 14-14
49024	6-63	51572	9-3	52888	11-13, 13-14, 14-14
49262	9-5	51658-5	6-78, 6-79, 7-18, 7-19, 8-28	52898	11-5, 13-7, 14-7
49263	6-167			52899	14-5
49266	9-3	51689	6-44	52911	6-73, 6-151, 6-152, 8-25, 8-27, 8-47
49287	8-19	51690	6-44		
49681	6-39	51691	6-44	52929	6-146, 6-155, 6-157
49933	6-157	51692	6-44	53051A	8-32, 8-33
49934	6-45	51693	6-44	53077	6-75
49943	9-8	51782	8-11	53078	6-43
50047	6-87	51787	6-9, 6-13	53079	6-43
50304	6-42	51805	7-3	53268	7-3
50330	6-129, 6-131, 7-23, 8-65	51938	6-27, 6-28, 6-29, 6-31	53303	11-11
50335	6-47, 6-49, 6-89, 6-91	52049	6-44	53304	11-11
50456	8-3	52163	6-43	53321	11-11
50493	6-39, 6-41, 8-39	52296	6-25	53327	11-7
50518	6-4	52388	6-32, 8-37	53395-2	7-3
50565	7-3	52402	6-157	53400-1	7-3, 7-5, 7-7, 9-14
50646	6-9	52405	10-23	53400-2	7-5, 7-7, 9-14
50788	9-13	52424	7-7	53400-3	7-5, 7-7, 9-14
50789	9-13	52481	11-11	53400-4	7-3, 7-5, 7-7, 9-14
50817	6-71	52508	6-39, 6-41, 8-39	53400-5	7-5, 7-7, 9-14
50845	6-3, 6-4, 6-18	52580-2	8-28	53963A	6-17
50864	6-161, 8-67	52613	11-16	53988-12	11-15, 13-16, 14-16
50902	6-49, 6-53, 6-55, 6-163	52615	6-15	53988-13	11-15, 13-16, 14-16
50960	6-75, 6-144	52618	11-19	54027	7-3
50967	6-71, 8-27	52720	11-9	54041	6-173
51046	6-28, 6-29	52721	11-11	54179	7-5
51109	6-43	52722	11-16	54180	6-129
51176	6-45, 6-47, 8-3, 8-5, 8-7	52723	11-16	54194	6-27, 6-31
51305	6-71, 6-75, 7-11, 8-7, 8-23, 8-27, 11-3, 13-3, 14-3	52724	11-9, 13-10, 14-10	54274	6-63, 6-65, 6-163, 8-13
51317	6-28, 6-29	52725	11-7, 13-8, 14-8	54275A	6-163
51321-3	6-71, 8-23	52726	11-5	54333	6-25, 6-78, 6-79, 6-85, 6-89, 6-167, 7-3, 7-18, 7-19
51368	6-9, 6-175	52727	11-5		
51406	10-2	52728	11-7	54394	6-75, 7-5, 7-7, 8-27
51416	10-2	52730	11-7, 14-8	54395	6-73, 6-75, 8-25, 8-27
51448	6-27, 6-28, 6-29, 6-31	52734	11-7, 14-8	54396	6-11, 6-47, 6-49, 6-67, 6-69, 6-83, 6-89, 6-91, 6-157, 6-163, 7-21, 8-31
51449	6-29, 6-31	52736	11-3, 13-3, 14-3		
51452	6-27, 6-31	52741	11-11	54397	6-37
51458	6-15	52748	11-16	54861	6-27, 6-163
51459	6-15	52751	11-16	54884	6-75
51530	6-173	52753	11-8, 13-9, 14-9	55248	6-167
51534	6-173	52756	13-7, 14-7	55586	6-144, 6-145, 6-173, 8-46
51545	6-42	52757	13-7, 14-7		
51560-3	6-78, 7-18	52759	13-5	55619	6-153
		52760	13-7, 14-7	55685	6-146, 6-147, 6-150, 8-45
		52764	11-10, 13-11, 14-11	55705	6-139
		52765	11-16	55740	6-3, 6-153
		52766	11-17, 13-17, 13-18, 14-17, 14-18		
		52770-8	8-17, 8-19		
		52770-9	6-3, 8-19, 13-5		
		52789	6-39, 6-41, 8-39		

CROSS REFERENCE

Part Number	Page Number	Part Number	Page Number	Part Number	Page Number
55775	6-141, 8-43	60090	8-11, 16-15	61649	6-37
55926	10-4	60294	6-92, 8-34, 8-35	61650	6-9, 6-175
55929	10-4	60295	6-92, 8-35	61651	6-129
55936	10-4	60969	9-5	61652	9-3
56185	6-33	60970	6-8	61653	6-117
56186	8-33	60981	6-169	61654	6-117
56690	6-32, 6-33, 6-89, 6-147, 6-149, 6-157, 8-37, 8-45	61023	9-11	61681	9-3
56692	6-75, 6-152, 6-163	61157	6-169	61683	6-85
56820	6-32, 6-145, 6-146, 6-149, 6-165, 8-37, 8-46	61160	6-171	61685	9-11
56821	6-158	61170	6-169, 6-171	61686	6-85, 8-17
56827	6-147, 6-149, 8-45	61171	6-169, 6-171	61687	6-85
56875	7-7	61174	6-169, 6-171	61695	7-3
56903	6-25	61175	6-169, 6-171	61696	6-45
56992	6-129, 6-131, 7-23, 8-65	61176	6-169	61697	8-3
57048	6-49	61179	9-11	61701	6-161, 8-67
57075	6-45, 6-70	61181	6-169, 6-171	61711	11-3, 13-3, 14-3
57094	10-17	61187	6-171	61724	11-8, 13-9, 14-9
57152	10-25	61188	6-171	61725	11-5, 13-7, 14-7
57156	10-25, 10-26	61189	6-171	61733	13-5, 14-5
57196	6-158	61245	6-171	61736	11-8, 13-9, 14-9
57311	6-45, 8-2	61249	6-169	61741	11-5, 13-7, 14-7
57377	6-167	61252	9-11	61743	13-5
57378	6-167	61254	6-167	61748	13-5, 14-5
57379	6-167	61257	6-169	61749	11-10, 13-11, 14-11
57567	6-35	61258	6-42	61762	11-8, 13-9, 14-9
57568	6-141, 8-43	61259	6-159	61775	11-8, 13-9, 14-9
57630	6-9, 6-169, 6-175	61260	6-159	61776	13-17, 14-17
57676	6-32, 8-37	61261	6-159	61777	14-5
57773	6-49, 8-7	61262	6-171, 9-11	61794	11-5
57804	6-25, 6-127, 6-129, 6-131, 7-23, 8-65	61265	6-169	61812	11-11
57964	6-139, 6-141, 6-143, 8-43	61268	6-169	61882	10-7, 10-11
57982	6-32, 8-37, 10-25	61271	6-171	61886	10-9, 10-13
58067	7-24	61276	6-169	62234	6-147, 6-149, 8-45
58107	6-161, 8-67	61364	8-35	62389	6-158
58114	6-161, 6-163, 8-67	61478	6-3	62390	6-145, 8-46
58120	6-3, 6-78, 7-18	61489	6-27, 6-31, 10-24	62417-2	9-8
58596	10-25, 10-26	61490	10-24	62595-18	6-9, 6-167
58858	6-145, 6-150, 6-151, 8-46, 8-47	61515	8-3	62595-4	6-9, 7-3
59015	8-19, 8-21	61516	6-45, 8-3	62595-6	6-167
59156	6-27	61517	6-45, 8-3	62595-9	6-9
59560	6-141, 8-43	61608	6-75, 8-27	62700	6-39
59577	6-33	61611	6-71, 8-23	62702	6-39
59617	6-3, 6-4, 6-21, 6-23	61623	6-19	62878	8-11
59632	6-173	61624	6-19	63182-2	8-7
59633	6-21, 6-23, 6-41, 6-173, 8-39	61625	6-19	63263	6-49
59634	6-173	61626	6-19	63282	6-39, 6-41, 8-39
59639A	6-172	61627	9-11	63292	6-41, 8-39
59984	6-129	61628	6-169	63511	6-169
60015	6-3, 6-4, 6-21, 6-23	61629	9-11	63810	6-57, 6-59, 7-13, 7-17
60016	6-3, 6-4, 6-173	61630	9-11	63814	6-132
60018	6-3, 6-4, 6-172	61631	9-11	63818	6-75, 8-27
		61632	9-11	63837	6-132
		61633	9-11	63921	10-3
		61634	9-11	63922	10-3
		61637	9-11	63923	10-3
		61638	6-19	63924	10-3
		61639	6-42	64618	6-75, 8-27
		61645	9-11	64621	6-75, 8-27
		61647	6-171	64685	6-171
		61648	6-171		

CROSS REFERENCE

Part Number	Page Number	Part Number	Page Number	Part Number	Page Number
64740	7-11	72977	6-92, 8-35	74256	10-7, 10-11
64795C-1	6-129, 6-131, 7-23, 8-65	73106	6-73, 6-75, 8-25, 8-27	74257	10-7, 10-11
64903	6-8, 6-13	73108	6-157	74258	10-7, 10-11
64921	6-129, 6-131, 7-23, 8-65	73113	6-146	74259	10-9, 10-13
64950	6-43	73270	6-163	74260	10-9
65145-1	6-150, 6-151, 6-152, 8-47	73292	8-11	74261	10-9
65202	8-43	73293	8-11	74262	10-7, 10-11
65205	6-143	73736	6-129, 6-131, 7-23, 8-65	74263	10-7
65221	6-3, 6-4, 6-154, 8-48	73799	8-9	74264	10-9
65241	10-26	74094	10-25	74265	10-7, 10-11
65439	8-39	74097	10-25	74266	10-7, 10-11
65869-5	6-3, 6-4	74098	10-23, 10-34, 10-35	74267	10-7, 10-11
65894	8-3	74105	10-25, 10-26	74270	10-9, 10-13
65934	6-39	74109	10-25, 10-26	74271	10-9, 10-13
65935	6-39	74110	10-25, 10-26	74272	10-7, 10-11
65936	6-39	74111	10-25, 10-26	74273	10-7, 10-11, 10-20
65939	6-39	74112	10-25, 10-26	74274	10-9, 10-13
65940	6-39	74122	10-23	74275	10-9, 10-13
65941	6-39	74123	10-23	74276	10-7, 10-11
65942	6-39	74125	10-23	74277	10-9, 10-13
65946	6-173	74137	10-23	74278	10-9, 10-13
65947	6-45	74142	6-32, 8-37	74279	10-9
65948	11-16	74148	10-17	74280	10-7, 10-11
65949	11-16	74149	10-17	74281	10-7, 10-11
65950	11-16	74150	10-17	74282	10-9, 10-13
65951	8-3	74151	10-17	74283	10-7, 10-9, 10-11, 10-13
65965	14-5	74152	10-17	75054	9-13
65966	14-5	74154	10-19	75072-1	6-35
65967	8-3	74159	10-17	75072-5	6-35
66101	9-3, 9-4, 9-5, 9-6	74160	10-15, 10-17	75073	6-35
67310	6-151, 6-152, 8-47	74161	10-19	75075	6-35
67832	6-144	74162	6-144	75076	6-4
68101	8-32, 8-33	74163	6-151, 8-47, 10-7, 10-9	75118	9-13
68301	6-167	74165	10-23	75127	9-13
68567	6-15	74166	10-23	75132	6-159
68768	6-151, 6-152	74167	10-23	75190	6-159
68866	6-41, 8-39	74168	10-23	75197	6-25
68869	8-34	74171	10-23	75244-1	6-8, 6-11
68870	8-34	74176	6-32, 8-37, 10-26	75249	6-43
68872	8-3	74181	10-26	75267	6-8
68962	6-71	74182	10-26	75268	6-8, 6-13
69225	6-21	74184	10-7, 10-11	75272	6-15
69261	10-28	74186	10-25, 10-26	75285	6-43
69494	6-44	74187	10-25, 10-26	75296	6-165
69495	8-9	74188	10-25, 10-26	75314	6-25
69571	6-9, 6-175	74189	10-25, 10-26	75319	6-25
69582	6-19	74190	10-26	75365	6-34
70165	8-5	74195	10-25, 10-26	75368	6-42
70173	6-87, 6-89, 8-19, 8-21	74210	10-7, 10-11	75369	6-42
70284	6-8	74218	10-25, 10-26	75371	6-41, 8-39
70752	8-9	74223	10-7, 10-11	75430	6-9, 6-175
71384	8-5	74233	10-32, 10-33	75454	6-161, 8-67
71385	8-5	74240	10-7, 10-11	75456-1	6-161, 8-67
71388	8-5	74249	10-23	75456-2	6-161, 8-67
71725	10-15, 10-17	74251	10-25, 10-26	75456-3	6-161, 6-163, 8-67
71741	6-143	74253	10-7	75456-4	6-161, 6-163, 8-67
		74254	10-7, 10-11	75456	6-161, 8-67
				75461	6-161, 8-67
				75480A	6-9, 6-11

CROSS REFERENCE

Part Number	Page Number	Part Number	Page Number	Part Number	Page Number
75486A	6-71, 6-73	75791	6-21	764412	15-12
75520	6-27, 6-31	75795	6-23	764414	15-12
75528	6-21, 6-23	75796	6-23	764418	15-11
75530	6-18	75799	6-3, 6-4, 6-21, 6-23	764421	15-9, 15-11, 15-12, 15-17, 15-25
75535	6-42	75802-1	6-25	764422	15-11
75547	6-8	75810	6-9, 6-169, 6-175	764425	15-7
75550	6-18	75811	6-9, 6-175	764432	15-17
75569	6-18	75812	6-9, 6-175	764433	15-17
75570	6-18	75813	6-9, 6-175	764465	15-3
75571	6-18	75814	6-9, 6-175	764466	15-7
75572	6-18	75815	6-169	764468	15-3
75575	6-18	75816	6-169	764469	15-3, 15-7
75588	6-21, 6-23	75903	9-7	764517	15-25
75592	6-21, 6-23	75923	9-16	764556	15-25
75600	6-27, 6-28	75934	6-131, 7-23, 8-65	764560	15-12
75607	6-18	76058	6-43	764561	15-17
75616	6-17	76059	6-43	764575	15-11, 15-12
75617	6-17	76062	6-131, 7-23, 8-65, 9-3	764614	15-25
75622	6-17	76063	6-17	764620	15-12, 15-26
75627	6-17	76066	6-23	764653	15-11
75631	6-29	76075	6-167, 9-16	764707	15-13
75634	6-18	76076	9-16	764716	15-21
75635	6-3, 6-4, 6-169	76087	6-43	764717	15-21
75636	6-18	76089-2	6-169, 6-171	764769	15-25
75638	6-18	76113	6-9, 6-175	764785	15-3
75642	6-18	76156	6-9, 6-175	764794	15-17
75643	6-18	76157	6-169	764802	15-17
75648	6-18	76158	6-9, 6-175	764803	15-18
75649	6-18	762094	15-25	764804	15-18
75654	6-29	76218	6-27, 6-28	764812	15-15, 15-17, 15-25
75655	6-29	76234	6-129, 6-131, 7-23, 8-65	764836	15-3
75656	6-28	76269	6-173	765049	15-21
75657	6-28	76290	6-45	76532	6-4, 6-169
75681	6-18	76291	6-45	76536	6-129
75702	6-21	76306	6-129, 6-131, 7-23, 8-65	76539	6-37
75703	6-23	76319	8-28	76540	6-165
75706	6-31	76321	8-28	76544	6-45
75711	6-3, 6-4, 6-21, 6-23	76332	6-78, 7-18, 8-28	76560	6-44
75712	6-21	76335	6-3, 8-28	76562	6-9
75713	6-23	76340	6-173	76568	6-27, 6-31
75718	6-7	763477	10-15, 10-17	76570	6-51, 6-69, 8-22, 16-19
75722	6-7	763483	10-17	76583	6-9, 6-11
75740	6-21, 6-23	76353	6-173	76589-2	7-18, 7-19
75757	6-21, 6-23	76354	6-9, 6-175	76596A-1	6-71
75760	6-27, 6-28	763887	15-12	76596A	6-71
75761	6-27, 6-28, 6-29, 6-31	76390	6-39, 6-173	76602	6-44
75764	6-17	76391	6-173	76628	6-17
75766	6-17	76392	6-172	76640	6-8, 6-11
75768	6-27, 6-31, 6-49	76395	6-4, 6-169	76649	6-37
75769	6-27	76403	6-169	76650	6-9, 6-11
75772	6-27, 6-31	76426	6-169, 6-171, 9-4, 9-14	76665	6-31
75773	6-27	764402	15-5	76667	6-27
75774	6-31	764403	15-23	76677	6-23
75780	6-27, 6-31	764408	15-11, 15-27	76736	6-92, 8-34, 8-35
75781	6-28, 6-29	764409	15-11, 15-12	76762	6-45, 6-70, 17-15
75786	6-27, 6-31	764410	15-26	76811	6-8, 6-13
75788	6-21			76813	6-9
75789	6-23			76816	6-42
75790	6-21				

CROSS REFERENCE

Part Number	Page Number	Part Number	Page Number	Part Number	Page Number
76821	6-39	78043	6-87, 8-21	79092	11-19
76823	6-39	78068	6-45	79101	6-34
76825	6-78, 6-83, 7-18, 7-21	78078	6-17	79102	9-3
76828	6-3, 6-4	78080	6-43	79104	6-141, 6-143, 8-43
76831	6-63	78085	7-3	79105	6-141, 6-143, 8-43
768481	6-33	78088	7-3	79106	6-141, 6-143, 8-43
768482	6-33	78092	7-3	79107	6-141, 6-143, 8-43
76858	9-7	78093	6-173	79111	6-3
76859	9-7	78096	6-172	79112	6-3
76860	9-7	78104-4	6-9	79114	6-41, 8-39
76861	9-7	78116	9-17	79301	6-18
76862	9-7	78122	7-3, 7-5, 7-7	79314	6-132
76863	9-17	78127	9-15	79318	6-132
76864	6-14	78140-1	6-9	79350	6-25
76866	6-13, 6-14	78143	6-158	79367	6-171
76867	6-13, 6-14	78144B	6-71	79368	9-14
76868	6-14	78153	9-3	79381	6-75
76869	6-9, 6-11	78154	9-6	79399	8-7
76870	6-14, 6-15	78156	9-17	79410	6-132
768897	6-75, 8-27	78157	9-8	79424	6-171
76896	6-172	78161	9-6	79428	9-4
76903	6-42	78170	6-45, 6-47, 8-3	79429	9-13
76904	6-42	78190	6-37	79436	9-4
76915	6-165	78191	6-37	79451	6-171
76921	6-172	78517	11-3, 13-3, 14-3	79452	6-171
76922-1	6-172	78518	14-3	79464	6-171
76927	6-172	78519	14-3	79472-1	6-171
76937	6-3, 6-4, 6-173	78520	13-5, 14-5	79473-1	6-171
76946	6-173	78521	14-5	79474	6-171
76955	6-11, 6-13, 6-53, 6-83, 6-89, 6-91, 7-7, 7-21, 8-21, 8-31	78522	14-5	79475	6-169
76956	6-11, 6-13, 6-70, 8-11	78523	14-5	79476	6-171
76957	6-65, 6-67, 6-69, 8-13, 8-15	78524	14-5	79477	6-171
76958	8-34	78525	14-5	79478	6-171
76974-1	6-172	78526	14-5	79484	6-25, 6-167
76978	6-172	78527	14-5	79488	6-171
76979	6-172	78528	14-5	79500	6-169, 6-171
76984-1	6-172	78529	14-5	79508-1	9-9
76988	6-173	78531	14-13	79515	9-9
77003	10-34, 10-35	78560	6-173	79517	9-9
77097	6-17, 6-163, 6-173	78561	6-173	79518	9-9
77099	6-147, 6-149, 8-45	78562	6-21, 6-23	79532	9-13
77342	6-75, 8-27	78641	6-172	79535	9-13
77602	8-35	78642	6-173	79536	6-83
77693	8-9	78670	6-159	79538	9-13
77789	8-9	78673	6-159	79545	6-4, 6-171, 9-13
77880	11-5, 13-7, 14-7	78695	6-173	79546	9-13
77891	11-9	78802	6-4	79547	9-13
77895	11-17, 13-18, 14-18	79066	6-41, 8-39	79553	6-171
77896	13-5	79067	6-41, 8-39	79557	6-4, 6-169
78005-2	6-45, 6-47, 8-3, 8-5, 8-7	79068	6-41, 8-39	79558	6-169
78012	6-13, 6-14	79069	6-41, 8-39	79567	6-169
78013	7-24	79070	6-41, 8-39	79570	6-171
78014	7-24	79073	6-41	79580	6-167
78017	7-24	79074	6-41, 8-39	79605	6-15
		79075	6-154, 6-155, 8-48	79606	6-25
		79077	6-41, 8-39	79708	10-9, 10-13
		79078	6-151, 8-47, 10-17	79711	10-34, 10-35
		79079	6-141, 8-43	79742	10-7, 10-11
		79080	6-41, 8-39	79743	10-7
		79091	11-19	79744	10-7

CROSS REFERENCE

Part Number	Page Number	Part Number	Page Number	Part Number	Page Number
79745	10-7	9003927	9-20	9005236	17-11
79746	10-7	9003928	9-20	9005237	17-11
79747	10-7, 10-11	9003929	9-20	9005238	17-11, 17-17
79748	10-9, 10-13	9004033	16-17, 17-17	9005239	17-11
79749	10-9, 10-13	9004034	16-17, 17-17	9005240	17-11
79750	10-9, 10-13	9004035	16-17, 17-17	9005241	17-11
79751	10-9, 10-13	9004539	7-14	9005242	17-11
79752	10-9, 10-13	9005181	17-17, 17-22, 17-23	9005243	17-11
79753	10-9, 10-13	9005182	17-7, 17-9, 17-15, 17-17, 17-18, 17-19, 17-21, 17-23	9005244	17-11
79754	10-20			9005245	17-11
79755	10-20			9005248	17-21
79756	10-20	9005183	17-7, 17-15, 17-21, 17-23	9005249	17-21
79757	10-20			9005250	17-21
79758	10-20	9005184	17-19, 17-23	9005251	17-19
79759	10-20	9005185	17-11, 17-13, 17-15, 17-18, 17-19, 17-21, 17-22, 17-23	9005252	17-19
79760	10-20			9005253	17-19
79761	10-20			9005254	17-19
79762	10-20	9005186	17-5	9005255	17-19
79763	10-20	9005188	17-5	9005256	17-18, 17-19, 17-21
79764	10-20	9005189	17-5	9005257	17-3
79765	10-20	9005190	17-7, 17-9, 17-15	9005258	17-3
79766	10-20	9005191	17-9	9005259	17-3
79767	10-20	9005192	17-18	9005260	17-3
79771	10-7	9005193	17-18	9005261	17-5
79776	10-20	9005194	17-15, 17-18	9005262	17-5
79779	10-7, 10-11	9005195	17-7	9005263	17-15
79828	10-23	9005196	17-5	9005264	17-21
82526	8-21	9005197	17-3	9005265	17-21
82661	6-145, 8-46	9005198	17-3	9005266	17-21
82686	8-21	9005199	17-3	9005269	17-17
82829	6-45, 6-70, 6-85, 6-89, 8-11, 16-15	9005200	17-3	9005276	17-15
82832	6-139, 6-141, 6-143, 8-43	9005201	17-3	9005277	17-8
82833	6-165	9005202	17-7	9005430	17-3
82835	6-139, 6-141, 8-43	9005203	17-7	9005504	17-21
82921	6-13	9005204	17-7		
82958	6-169, 6-171	9005205	17-7		
83581	6-53	9005206	17-7		
83591	6-89	9005207	17-7, 17-8		
86029	6-39, 6-41, 8-39	9005208	17-11, 17-13, 17-15, 17-21		
86041	6-45	9005209	17-15, 17-19		
86328	6-87	9005210	17-19		
86759	6-19	9005215	17-22		
87246	8-9	9005216	17-11		
87308	6-69	9005217	17-11		
87536	6-129, 6-131, 7-23, 8-65	9005218	17-11		
87579	6-21, 6-23	9005219	17-11		
87783	6-155	9005220	17-11, 17-21		
87866	6-129, 6-131, 7-23, 8-65	9005221	17-17		
87972	6-73, 8-25	9005222	17-17		
9000355	6-91	9005223	17-17		
9000887	10-36	9005224	17-17		
9001039	6-11	9005225	17-17		
9001041	6-11	9005227	17-12		
9001222	6-75	9005228	17-12		
9001223	8-27	9005228	17-11, 17-12, 17-17		
9003796	16-17, 17-17	9005229	17-12, 17-21		
		9005231	17-11		
		9005233	17-11		
		9005234	17-11		
		9005235	17-11		

PART DESCRIPTION TO PAGE NUMBER CROSS REFERENCE LIST

A

Actuator, Governor, Die, 8-5
 Actuator, Valve, 10-9, 10-13
 Adapter (For Engine 16850), 13-5
 Adapter Kit, Manifold, 6-57, 7-9, 7-11
 Adapter, Cylinder Rod, 6-173
 Adapter, Filter, 1/8NPT, 6-78, 6-79, 7-18, 7-19, 8-28
 Adapter, Fuel Filter, 14-5
 Adapter, Fuelline, 6-89
 Adapter, Injection Pump, 14-5
 Adapter, Inlet Tube, 11-10, 13-11
 Adapter, Oil Filter, 11-17, 13-18, 14-18
 Adapter, Throttle Body, 7-13
 Adapter, Valve, 400mm [Bosch], 7-17
 Adapter, 6-171, 9-11, 11-16, 13-5, 14-5, 15-15
 Adaptor Assembly, 10-4
 Adaptor, Actuator, Governor/Eng, Dsl, 8-5
 Adaptor, Cshaft Pulley, 8-5
 Adaptor, Cylinder, 6-173
 Adaptor, Filter, Remote, 6-70
 Adaptor, Fltr, Oil, Rework, 8-11
 Adaptor, Intake, Lpg [3.0l], 7-13
 Adaptor, Squeegee Wand, 9-13
 Adaptor, Tank, 9-13
 Adaptor, Vacuum Wand, 9-13
 Adaptor, Valve, Fuel Trim, 7-13
 Adaptor, 15-3
 Adjuster Assembly, Seat, 6-15
 Adjuster, Rear, 6-172
 Adjuster, Seat, 6-15
 Adjuster, 15-14
 Air Cleaner, 6-79, 7-19, 8-28
 Alternator, 12vdc, 075a [Valeo], 6-53, 6-55
 Alternator, 6-45, 6-51, 8-3, 8-22, 16-26, 17-23
 Ammeter, 6-129
 Anchor, Governor Spring, 11-16
 Angle, Brake Adjustment, 6-42
 Angle, Cable, 6-44
 Angle, Grille, 6-9
 Angle, Heat, Shield, 6-53
 Angle, Mounting Bracket, 8-3
 Angle, Shock Mount, 6-39
 Angle, Shock, 6-39
 Angle, Spring Mounting, 6-39
 Arm Assembly, Rocker, Exhaust, 11-7, 13-8, 14-8
 Arm Assembly, Rocker, Intake, 11-7, 13-8, 14-8
 Arm Assembly, Vertical Block, 6-172
 Arm Assembly, 6-172
 Arm Kit, 12-3
 Arm Wldt, Safety, Door, Eng, 6-13
 Arm, Adjmt, Alternator, 6-55
 Arm, Alternator, 6-53
 Arm, Brake, 6-42
 Arm, Brush Drive, 6-27, 6-31
 Arm, Control, 6-25, 10-7, 10-11

Arm, Engine Cover Support, 6-9
 Arm, Front Brush Idler, 6-28
 Arm, L.H., 6-172
 Arm, Pump Control, 6-39
 Arm, R.H., 6-173
 Arm, Rear Brush Idler, 6-29
 Arm, Rocker, 11-11, 16-8
 Arm, 8-3, 15-15
 Atomiser, 15-17

B

Back Frame, 6-9
 Backplate Kit, 10-5
 Backplate S/A, 10-9, 10-13
 Balancer, 12-11
 Ball Bearing, 15-15
 Ball Joint, Upper, 6-39, 6-41, 8-39
 Ball Joint., 6-39, 8-39
 Ball Joint, 6-41, 6-44, 6-173, 8-3
 Ball, Float, 6-169
 Ball, 10-23, 10-25, 10-26, 12-3
 Balljoint, 11-16
 Band, Air Cleaner, 8-28
 Band, Front, Squeegee, 6-172
 Band, Rear, Squeegee, 6-173
 Band, Squeegee, Retaining, 6-21, 6-23
 Bar, Flt, Rbr, 0.38 X 6.00 X 18.00l, 6-4
 Bar, Mounting, 6-25
 Barrel, Trip, 6-173
 Base, Brg Hsng, 6-77
 Base, Fuel Filter, 14-5
 Battery, 12v, 0700cca, Ah, Wet, 8-35
 Battery, 12vdc, 1000cca, Ah, Wet, Ul, 8-34
 Battery, 540 CCA, 6-92
 Bearing [-0.25mm], 16-5, 17-5
 Bearing [-0.50mm], 16-5, 17-5
 Bearing [-0.75mm], 16-5, 17-5
 Bearing Assembly, Cup and Cone, 6-35
 Bearing Kit, .001 U.S., 12-7
 Bearing Kit, .001 #1, 2, 3, 4, 12-11
 Bearing Kit, .001 #5, 12-11
 Bearing Kit, .010 #1, 2, 3, 4, 12-11
 Bearing Kit, .020 #1, 2, 3, 4, 12-11
 Bearing Kit, .025 #5, 12-11
 Bearing Kit, .030 #1, 2, 3, 4, 12-11
 Bearing Kit, Crankshaft, 0.25 mm undersize, 11-8
 Bearing Kit, Crankshaft, 0.50 mm undersize, 11-8
 Bearing Kit, Crankshaft, 0.75 mm undersize, 11-8
 Bearing Kit, Crankshaft, 1.00 mm undersize, 11-8
 Bearing Kit, Crankshaft, Standard, 11-8
 Bearing Kit, Main, 0.25 mm Undersize, 13-9, 14-9
 Bearing Kit, Main, 0.50 mm Undersize, 13-9, 14-9
 Bearing Kit, Main, 0.75 mm Undersize, 13-9, 14-9

Bearing Kit, Main, 1.00 mm Undersize, 13-9, 14-9
 Bearing Kit, Main, Standard, 13-9, 14-9
 Bearing Kit, Std #1, 2, 3, 4, 12-11
 Bearing Kit, Std #5, 12-11
 Bearing Kit, Std, 12-7
 Bearing Kit, 12-7, 12-12, 15-5
 Bearing, Ball, 0.67b 1.57d 0.47w, 6-45
 Bearing, Ball, 6-161, 8-3, 8-67, 16-13, 17-13
 Bearing, Connecting Rod, 0.25 mm Undersize, 13-10, 14-10
 Bearing, Connecting Rod, 0.25 mm undersize, 11-9
 Bearing, Connecting Rod, 0.50 mm Undersize, 13-10, 14-10
 Bearing, Connecting Rod, 0.50 mm undersize, 11-9
 Bearing, Connecting Rod, 0.75 mm Undersize, 13-10, 14-10
 Bearing, Connecting Rod, 0.75 mm undersize, 11-9
 Bearing, Connecting Rod, 1.00 mm Undersize, 13-10, 14-10
 Bearing, Connecting Rod, 1.00 mmundersize, 11-9
 Bearing, Connecting Rod, Standard, 11-9, 13-10, 14-10
 Bearing, Fiberglide, 6-172
 Bearing, Flange, 6-39, 6-41, 6-43, 6-173, 8-39
 Bearing, Idler Pulley, 6-77
 Bearing, Kit [Cat 08], 17-5
 Bearing, Liner, 6-165
 Bearing, Needle, 10-25, 10-26
 Bearing, Pillow Block, 6-172
 Bearing, Rocker Shaft, 11-11
 Bearing, Rod, Connecting, 16-5, 17-5
 Bearing, Self-Aligning, 6-165, 10-30
 Bearing, Sleeve, 6-18
 Bearing, Std, 16-5, 17-5
 Bearing, Thrust, 0.53b 1.00d 0.03w, 6-173
 Bearing, Thrust, 6-21, 6-23, 6-41, 6-165, 8-39, 10-4
 Bearing, 6-17, 6-18, 6-27, 6-28, 6-29, 6-31, 6-77, 6-161, 6-165, 8-67, 10-4, 10-7, 10-9, 10-11, 10-13, 10-21, 10-24, 15-15
 Belcrank, 6-39
 Bell Crank, 10-20
 Bellcrank, 6-25
 Belt, Alternator, 6-51, 8-22
 Belt, Fan, 6-77
 Belt, Pump, Water, 16-17, 17-17
 Belt, Ribbed, [K 8], 70.0l, 8-67
 Belt, V, 39.6l [3v, Hc41], 6-53, 6-55
 Blade Kit, Sqge, Replmt [550], 9-13
 Blade, Front Squeegee, Urethane, 6-173
 Blade, Front, Squeegee, 6-172
 Blade, Front, 6-3
 Blade, Rear, Squeegee, Urethane, 6-173

CROSS REFERENCE

- Blade, Rear, Squeegee, 6-173
Blade, Rear, 6-3
Blade, Sqge, Front, Linatex, 6-4
Blade, Sqge, Linatex, Side, 6-4
Blade, Sqge, Rear, Linatex, 6-4
Blade, Squeegee, Urethane, 6-21, 6-23
Blade, Squeegee, 6-3, 6-21, 6-23, 9-18
Block Group, Cyl, 16-3
Block, Cyl [Cat 08], 17-3
Block, Long [Reman] (See Perkins Engine Breakdown, Diesel), 8-5
Block, Spacer, Fan Mount, 6-77
Block, Terminal, 4 Connector, 6-131, 7-23, 8-65
Board, P.C., 6-129
Board, Terminal, 6-129
Body and Gear Kit, Front, 10-5
Body and Gear Kit, Rear, 10-5
Bolt (1/4-20x.62), 12-9
Bolt (5/16-18x5/8), 12-9
Bolt (1/4-20x1/12 Hex), 12-12
Bolt (1/4-20x1/12), 12-12
Bolt (1/4-20x1/2), 12-9
Bolt (5/16-18x1.5 Hex), 12-12
Bolt [Cat 08], 17-7, 17-9, 17-11, 17-12, 17-13, 17-15, 17-17, 17-18, 17-19, 17-21, 17-23
Bolt [Cat], 17-17, 17-22, 17-23
Bolt Assy [Cat 08], 17-21
Bolt, (HFH3/8-16x062 280 POR), 12-5
Bolt, Bracket, 16-8
Bolt, Carriage, 6-25
Bolt, Clutch, 6-47, 6-49
Bolt, Connecting Rod, 11-9, 13-10, 14-10
Bolt, Eye, Lift, 6-49
Bolt, Eye, 6-161, 6-173, 8-67
Bolt, Hold Down, 6-92, 8-34, 8-35
Bolt, Rod, Connecting, 16-5, 17-5
Bolt, Starter, 6-47, 6-49
Bolt, 6-57, 6-59, 7-9, 7-11, 7-14, 10-23, 12-3, 12-5, 12-7, 12-9, 12-11, 12-12, 15-17, 15-18
Boot, 90deg .62d .44d Red, 8-35
Boot, Battery, 8-3
Boot, Electric, 6-45
Boot, Switch, 6-129, 6-131, 7-23, 8-65
Boot, 8-3
Box, Radiator, 8-25
Brace Wldt, Cover, Eng, 6-11
Brace, Engine Compartment, 6-9
Brace, Rear Panel, 8-28
Brace, Rear Shroud, 6-78, 6-79, 6-81, 6-83, 7-18, 7-19, 7-21, 8-29
Brace, Shrd, Rear, Lh, 8-31
Bracket [Epr], 7-17
Bracket Mounting Assembly, Fan, 6-161, 8-67
Bracket Wldt, Mtg, Column, Strg (Diesel), 6-11
Bracket Wldt, Mtg, Eng, Rear, 6-49
Bracket Wldt, Mtg, Motor [550/1550 2007], 6-75
Bracket Wldt, Mtg, Rear, Rh, 8-7
Bracket Wldt, Mtg, Tank, Lpg, 7-7
Bracket Wldt, Mtg, Valve, 6-149, 8-45
Bracket Wldt, Mtg, 8-67
Bracket Wldt, Steering Column (Gas/Lpg), 6-11
Bracket, Bottom, 12-5
Bracket, Adaptor, Storage, 9-13
Bracket, Alternator, 6-51, 6-53, 6-55, 11-16, 13-17, 14-17
Bracket, Angle, 6-161, 8-67
Bracket, Angle, Hold-down, Battery, 6-92, 8-35
Bracket, Battery, 8-34
Bracket, Bearing Mount, 6-31
Bracket, Bearing, L.H., 6-27
Bracket, Bearing, R.H., 6-28
Bracket, Bearing, 6-29
Bracket, Box, Relay, 6-61, 7-16
Bracket, Brake Cable, 6-42
Bracket, Brake, 6-37
Bracket, Bridge, 6-21, 6-23
Bracket, Cable & Alarm, 6-41, 8-39
Bracket, Cable, 6-41, 8-39
Bracket, Coil (Replaced by 79092), 11-19
Bracket, Control Valves, 6-147
Bracket, Engine Mounting, 6-44, 8-3
Bracket, Exhaust Mounting, 6-63
Bracket, Exhaust Support, 6-63
Bracket, Exhaust, 6-67
Bracket, Filters Mounting, 6-153, 6-154, 8-48
Bracket, Flasher, 9-4
Bracket, Fltr, Fuel, 6-89
Bracket, Fltr, Oil, 8-11
Bracket, Fuel Pump, 13-5
Bracket, Guard, Alternator, Hd [Gm3.0], 6-55
Bracket, Hose, 6-9, 6-11
Bracket, L.H. (not shown), 6-19
Bracket, LPG Tank Mounting, (Replaced by None), 9-14
Bracket, LPG Tank, 7-3
Bracket, Main, 6-41, 8-39
Bracket, Manifold, Mtg [550/1550 07], 6-91
Bracket, Mount, 7-3
Bracket, Mounting Engine, 6-44, 6-45
Bracket, Mounting, 1550, 6-159
Bracket, Mounting, 6-27, 6-161, 6-173, 8-67
Bracket, Mtg, Bearing, 6-41, 8-39
Bracket, Mtg, Fltr, Oil, Hyd, 6-155
Bracket, Mtg, Front, Lh, 8-7
Bracket, Mtg, Front, Rh, 8-7
Bracket, Mtg, Fuel Tank [550/1550 07], 6-91
Bracket, Mtg, Manifold, 6-157
Bracket, Mtg, Motor, 6-163
Bracket, Mtg, Overflow, 6-73, 8-25
Bracket, Mtg, Rear, Lh, 8-7
Bracket, Mtg, Vac Fan, 6-163
Bracket, Mtg, Valve, 6-157
Bracket, Mtg, 7-9, 7-11
Bracket, Pipe, Exhaust [550/1550 07], 6-69
Bracket, Pipe, Exhaust, 6-65, 8-13, 8-15
Bracket, R.H., 6-19
Bracket, Radiator, 6-71, 6-73, 8-25
Bracket, Resistor (Replaced by 79092), 11-19
Bracket, Shield, Heat [550/1550 07], 6-69
Bracket, Shield, Heat, 6-67
Bracket, Shroud, Rear, 6-11
Bracket, Sppt, Hose, Intake, 8-31
Bracket, Sppt, Hose, 6-83, 7-21
Bracket, Starter, 6-47, 6-49
Bracket, Stop, 6-41, 8-39
Bracket, Switch Mounting, 6-173
Bracket, Switch, 6-25, 6-173
Bracket, Taillight, 9-3
Bracket, Tank, 7-5, 7-7
Bracket, Throttle, 6-44, 8-3
Bracket, Tie-Down, Rear, [550], 6-11
Bracket, Top, 12-5
Bracket, Tow Bypass, 6-8, 6-159
Bracket, U, 9-13
Bracket, 6-25, 12-3, 12-9, 15-9, 16-8, 16-15, 16-23, 17-15, 17-21
Brake Assembly, Hydraulic, 6-43
Brake, Mechanical, 6-42
Breather, Filler, 6-145, 8-46
Brush Assembly, 6-45, 8-3
Brush Assy, Strip, 4.0l, Pyp, 6-4
Brush, Abrasive Bristle, 6-7
Brush, Polypropylene, 6-7
Brush, 6-3, 6-21, 6-23
Bulb, Sealed Beam, 9-3
Bulb, 9-3, 9-4, 9-5, 9-6
Bumper, Rbr, 0.6d 0.34t .3d Tip, 6-13
Bumper, Rbr, 1.0d 0.50t 0.22h, 6-13
Bumper, Rear, L.H., 1550, 6-159
Bumper, Rear, R.H., 1550, 6-159
Bumper, Rubber, 6-9
Bushing (Not Shown), 15-11
Bushing, Piston Pin, 11-9, 13-10, 14-10
Bushing, Seal, 10-25, 10-26
Bushing, 6-45, 8-2, 10-7, 10-9, 10-11, 10-13, 15-3, 15-5, 15-11, 16-3, 16-5, 17-3, 17-5
Button, Horn, 6-32, 8-37
Button, Plug, 0.50h .03-.12 [Black Nyl], 6-131, 7-23, 8-65
Button, Plug, 0.56h .03-.12 [Black Nyl], 6-131, 7-23, 8-65
Button, Plug, 1.25h .03-.08 [Black Poly], 8-27
Button, Plug, 1.25h .06-.09 [Chrome Stl], 6-131, 7-23, 8-65
Button, Plug, 2.09h .05-.06 [Chm Stl], 7-23

C

- Cable Assembly, Brake, Separate Spring, 6-42
Cable Assembly, Push-Pull, 6-44

- Cable Kit, Ele, Eng [Usb,Tier li Gm], 9-20
- Cable, .13d, 26.7l, .50eye /.25eye, 7-7
- Cable, Battery, Neg 2ga 60.0l .41 Hole, 8-35
- Cable, Battery, Pos 2ga 78.0l .41h, 8-35
- Cable, Choke, 6-44
- Cable, Control, 6-25
- Cable, Grounding, 6-45, 8-5
- Cable, Negative Battery, 6-92, 8-34
- Cable, Positive Battery, 6-92, 8-34
- Cable, Pull, 70.5l, .3clevis/.23ball, 8-9
- Cable, Push-Pull, 6-41
- Cable, Push/Pull, 31.5l, 3.0 .25-28, 8-39
- Cable, Push/Pull, 33.5l, 8-39
- Cable, 15-27
- Camplate S/A, 10-7, 10-11
- Camshaft, 11-7, 12-12, 13-8, 14-8, 15-11, 15-15, 16-9, 17-9
- Cap [Cat 08], 17-3
- Cap And Filler Block, Rear Bearing, 13-3, 14-3
- Cap and Filler Block, Rear Bearing, 11-3
- Cap and Gasket, 11-18
- Cap Screw, 10-7, 10-11, 10-25, 10-26
- Cap, Adapter, 6-171
- Cap, Breather, Hyd, W/ Basket, 5.3 Ds, 6-146
- Cap, Contact, 6-32, 8-37
- Cap, Crankshaft Bearing, Front, 13-3, 14-3
- Cap, Crankshaft Bearing, 11-3, 13-3, 14-3
- Cap, Crankshaft, 11-3
- Cap, Cyl Assy, Master Brake, 6-43
- Cap, Distributor, 12-5
- Cap, End, 10-26
- Cap, Filler, Oil, 16-7, 17-7
- Cap, Filler, 6-171, 16-11, 17-11
- Cap, Fuel Tank, 6-85, 6-87, 8-17, 8-19
- Cap, Fuel, Tank, 6-91
- Cap, Gasket, 11-18
- Cap, Gasoline, Protectoseal, 9-15
- Cap, Hub Dust, 6-35
- Cap, Nozzle, 16-23
- Cap, Oil Fill, 12-3
- Cap, Oil Filler, 11-16, 13-17, 14-17
- Cap, Radiator, 14psi, [Stant], 6-75, 8-27
- Cap, Radiator, 15psi, 6-73, 8-25
- Cap, Radiator, 6-71, 8-23
- Cap, Tank, Fuel, 2.3neck 2.6d, 6-89, 8-21
- Cap, Tube, 6-32, 8-37
- Cap, Valve Spring, 12-3
- Cap, 6-171, 11-18, 12-12, 15-7, 15-23, 16-3, 16-7, 16-8, 17-7, 17-8
- Carburator Repair Kit, 11-16
- Carburetor and Gasket, Gasoline, 11-16
- Carburetor and Gasket, LPG, 11-16
- Carburetor, Gasoline, 11-16
- Carburetor, LPG, 11-16
- Caster, 6-173
- Catch, Door, Roller, 6-13
- Catch, Rubber Hook, 9-13
- Chain and Hook Assembly, 6-21
- Chain Assembly, 6-171
- Chain, Assembly, Door, 6-23
- Chain, Coil, Str, 2/0 14.1l 11 Link, 6-11
- Chain, Drain Plug, 6-169
- Chain, Sash, #35, 22.2l 40 Link, 7-5
- Chain, Static Drag, 6-9
- Chain, 6-15, 6-21, 6-23
- Channel Wldt, Mtg, Eng, Rear, 6-49
- Channel, Bearing Cover, 6-27, 6-28
- Channel, Mtg, Fan Motor, 6-75
- Charge Pmp Adap, 10-9, 10-13
- Check Valve, 10-29
- Circlip, 15-9, 15-13, 15-15
- Circuitbreaker, 15.0a, 6-131, 6-132, 7-23, 8-65
- Circuitbreaker, 20.0a, Resetable, 6-129, 6-131, 7-23, 8-65, 9-3
- Circuitbreaker, 20.0a, Resetable, 9-3
- Clamp, Fuel Filter, 14-5
- Clamp, Cable, Stil, 0.25d X 0.56w, 1h, 8-19
- Clamp, Cable, Stil, 0.25d X 0.56w, 1hole, 6-91
- Clamp, Cable, Stil, 0.31d X 0.88w, 8-21
- Clamp, Cable, Stil, 0.44d X 0.62w, 1h, 6-87
- Clamp, Cable, Stil, 0.63d X 0.75w, 1h, 6-70, 6-89, 8-11, 16-15
- Clamp, Cable, Stil, 0.75d X 0.75w, 1h, 7-5, 7-7
- Clamp, Cable, Stil, 0.75d X 0.88w, 1h, 8-19
- Clamp, Cable, Stil, 1.50d X 0.75w, 1h, 6-87
- Clamp, Cable, Stil, 2.00d X 0.75w, 1h, 6-89, 6-91
- Clamp, Cable, Stil, 2.25d X 1.00w, 1h, 6-11
- Clamp, Cable, Stil, 3.00d X 1.00w, 1h, 6-11
- Clamp, Cable, 6-39, 6-85, 6-92, 8-17, 8-34, 8-35, 9-6
- Clamp, Conduit, 9-5
- Clamp, Deflector, 6-171
- Clamp, Distributor, 11-18
- Clamp, Fuel Pump, 14-5
- Clamp, Fuel Tank, 6-85, 6-87, 8-17, 8-19
- Clamp, Hose Support, 6-45
- Clamp, Hose, 1.0, 7-17
- Clamp, Hose, Spring Stil, 0.86d X 0.38w, 6-83, 7-21
- Clamp, Hose, Spring, 0.62d, 7-17
- Clamp, Hose, Wormdrive, 0.25-0.62d, .31w, 6-89, 6-91, 8-7, 8-21
- Clamp, Hose, Wormdrive, 0.25-0.62d, 6-87, 8-19
- Clamp, Hose, Wormdrive, 0.31-0.88d, .31w, 6-89
- Clamp, Hose, Wormdrive, 0.50-1.06d, .56w, 6-59
- Clamp, Hose, Wormdrive, 0.56-1.06d, .56w, 6-57, 7-17
- Clamp, Hose, Wormdrive, 0.56-1.06d, 7-13
- Clamp, Hose, Wormdrive, 0.81-1.50d, .50w, 7-9, 7-11
- Clamp, Hose, Wormdrive, 0.81-1.50d, 6-70, 6-73, 8-25
- Clamp, Hose, Wormdrive, 1.06-2.00d, .56w, 8-27
- Clamp, Hose, Wormdrive, 1.06-2.00d, 6-4
- Clamp, Hose, Wormdrive, 1.25-2.00d, .50w, 6-75
- Clamp, Hose, Wormdrive, 1.56-2.50d, .50w, 6-83, 7-21, 8-31
- Clamp, Hose, Wormdrive, 1.56-2.50d, 6-4, 6-57, 6-81, 8-29
- Clamp, Hose, Wormdrive, 1.62-3.50d, .56w, 8-31
- Clamp, Hose, Wormdrive, 1.62-3.50d, 6-4, 6-81, 8-29
- Clamp, Hose, Wormdrive, 1.81-2.75d, .56w (Gas/LPG Only), 6-165
- Clamp, Hose, Wormdrive, 3.25-4.12d, 6-73, 8-25
- Clamp, Hose, Wormdrive, 3.56-4.50d, .50w, 6-163
- Clamp, Hose, Wormdrive, 3.56-4.50d, 6-4
- Clamp, Hose, Wormdrive, 6-57, 7-9, 7-11
- Clamp, Hose, 9-11, 11-17, 13-17, 13-18, 14-17, 14-18, 16-17, 17-17
- Clamp, Injection Line, 13-5
- Clamp, Leak-Off Line, 13-5
- Clamp, Mounting, Air Cleaner, 6-81, 8-29
- Clamp, Mounting, 6-78, 6-79, 7-18, 7-19
- Clamp, Mtg, Filter, Air, 6-83, 7-21
- Clamp, Muffler, 1.62d, 6-67, 6-69
- Clamp, Muffler, 1.75d, 6-65, 8-13, 8-15
- Clamp, Muffler, 1.88d, 6-65, 8-13, 8-15
- Clamp, Muffler, 6-63
- Clamp, Pickup Hose, 6-169
- Clamp, Squeegee Band, 6-173
- Clamp, Suction Tube, 6-171
- Clamp, Toggle, 6-169, 9-13
- Clamp, Tube, 6-43, 6-57
- Clamp, Vacuum Hose, 6-169
- Clamp, Valve, Trim [Impco], 7-14
- Clamp, Worm Drive, 6-3, 6-18, 6-25, 6-28, 6-29, 6-71, 6-78, 6-79, 6-85, 6-167, 7-3, 7-18, 7-19, 8-17, 8-23, 8-28, 9-11, 9-13, 9-16
- Clamp, Wormdrive, 6-161, 8-67
- Clamp, 6-9, 6-57, 6-59, 6-167, 7-9, 7-11, 7-14, 11-16, 12-5, 12-12, 15-17, 16-23, 17-21
- Clevis and Pin, 6-25
- Clevis, Adjustable, 6-43, 8-2
- Clevis, Brake Cable, 6-42
- Clip, Finger Grip, 9-13
- Clip, Rod End, 8-3, 11-16
- Clip, 11-18, 15-5, 15-21, 15-25, 16-25, 17-22
- Cock, Drain, 6-71, 8-23, 11-3
- Cock, Water Drain, 13-3, 14-3

CROSS REFERENCE

Coil Assembly, Ignition (Replaced by 79092), 11-19
Coil Replacement Kit, 11-19
Coil, 10-27, 11-19, 12-5
Collor, Locking, 6-41, 8-39
Column, Steering, #2 8.0l .81d 36t00th, 6-33
Column, Steering, 6-32, 8-37
Conn Rod, 12-7
Connection, 15-3, 15-17, 15-18, 15-25
Connector Kit, Tubing, 10-3
Connector, Fuel, Qf, 6-89, 6-91
Connector, Oil Cooler, 11-17, 13-18, 14-18
Connector, 6-85, 6-87, 6-171, 8-17, 8-19, 10-2, 11-16
Console, Instrument, 6-129, 6-132
Contactor, 12Vdc, 8-32, 8-33
Control Assembly, Throttle, 6-44
Control Harness, 8-32
Control Panel Assembly, 6-132
Control Unit Kit, 8-32, 8-33
Control Unit, Glow Plug, 8-32
Control, Electronic, Gas, 10-37
Control, Manual (See Breakdown), 10-7, 10-11
Control, Manual, 10-20
Control, Steering (See Breakdowns), 6-32, 8-37
Controller Kit, Replmt, 10-36
Controller, 8-33
Converter, Lpg, 7-13
Cooler, Hyd 25gpm 400btu Of16 19x18x2, 6-73, 8-25
Cooler, Hyd, 30gpm 800btu, 6-75, 8-27
Cooler, Hydraulic, 6-71
Cooler, Oil, 11-17, 13-18, 14-18
Cooler, 16-19, 17-18
Cotter, 15-7
Coupler, 10-9, 10-13
Coupling Assembly, Drive, 6-45
Coupling, Air Cleaner Tube, 6-78, 6-79, 7-18, 7-19
Coupling, Drive, Flex, 10.3d/15tooth, 8-7
Coupling, LPG Tank, 7-3
Coupling, Suction Hose, 6-169
Coupling, 8-5
Cover [Cat 08], 17-11
Cover Assembly, Gear, 11-11, 14-12
Cover Cap, 10-25
Cover, Access, Governor, 6-11
Cover, Cylinder Head, 11-5, 13-7, 14-7
Cover, Dust, 11-18
Cover, Fuel Pump Hole, LPG, 11-18
Cover, Fuel Pump, 13-5, 14-5
Cover, Gear, 13-12, 16-11
Cover, Governor, 6-9
Cover, Grease Fitting, 6-28, 6-29
Cover, Grease, 6-161, 8-67
Cover, Headlock, 6-17
Cover, Horn Button, 6-32, 8-37
Cover, Hose, 7-17
Cover, Liquid Level Probe, 6-171

Cover, Pump, 6-167, 6-169
Cover, Sandblast, 6-169
Cover, Starter, 6-11
Cover, Steering Wheel, 6-33
Cover, Switch, 6-173
Cover, Terminal, 8-3
Cover, Thermostat [Cat 08], 17-17
Cover, Thermostat, 16-17
Cover, Timing Hole, 14-13
Cover, 12-3, 12-7, 12-9, 12-11, 15-11, 15-17, 15-23, 16-7, 16-19, 17-7, 17-18
Cradle Sub Assy, 10-7, 10-11
Crank Replacement Kit, 10-3
Crankshaft [Cat 08], 17-5
Crankshaft Assy, 16-5
Crankshaft, 11-8, 12-11, 13-9, 14-9
Cup, Contact, 6-32, 8-37
Cylinder Block Kit, 15-3
Cylinder Head Copy, 15-23
Cylinder Head Kit, 15-7
Cylinder, Hyd, 2.0b 08.0l 04.00strk 2500, 6-17, 6-173
Cylinder, Hydraulic (See Breakdowns), 6-165
Cylinder, Hydraulic, 10-30
Cylinder, Master Brake, 6-43

D

Dam, Sand, L.H., 6-169
Dam, Sand, R.H., 6-169
Dampener, Eng, 6-47, 8-5
Dampner, Engine, 6-45, 8-3
Data Plate, LPG, 7-24
Decal, Control Panel, 6-132
Decal, Danger, Keep Out, 6-169
Decal, Diesel Fuel Only, 8-17
Decal, Fan Suction, 6-169
Decal, Fill Tank, 6-171
Decal, Jack Only On Pad, 6-169
Decal, SRS Cleaning Solution, 6-171
Decal, SRS, 6-169
Decal, TENNANT Logo, 6-169
Decal, Warning, Lock Scrubber Head, 6-25
Deflector Assembly, Brush, L.H., 6-23
Deflector Assembly, Brush, 6-21
Deflector Assembly, Scrub Brush, 6-18
Deflector, Scrub Brush, 6-18
Deflector, Spray, 6-171
Deflector, 6-28
Detent Kit, 10-28
Diffuser, Vacuum, 1550, 6-19
Diode and Rectifier Assembly, 8-3
Diode Assembly, LPG, 7-3
Dipstick [Cat 08], 17-3
Dipstick, Oil, Eng, 16-3
Dipstick, 12-7, 15-21
Disk, Brake, 6-37
Distributor Assembly, (replaced by 09892), 11-18
Distributor Assembly, 11-18

Distributor, 12-5
Door Wldt, Access Top (Gas) (Diesel), 6-8
Door Wldt, Access Top (LPG), 6-8
Door Wldt, Access, Front, Lh, 6-13
Door Wldt, Access, Side, Lh, 6-13
Door Wldt, Access, Side, Rh, 6-13
Door Wldt, Access, Top, Lh (Gas) (Diesel), 6-13
Door Wldt, Access, Top, Lh (LPG), 6-13
Door Wldt, Eng, Top, [1550], 6-13
Door, Access, Side, L.H., 6-8
Door, Engine Cover, 6-8, 7-24
Door, Lower, 6-171
Door, Rear Side Access, L.H., 6-9
Door, Rear Side Access, R.H., 6-9
Door, Rear Side Access, 6-9
Door, Squeegee, L.H., 6-23
Door, Squeegee, 6-21
Door, Upper, 6-171
Door, 6-169
Dowel Bushing, 10-7, 10-11
Dowel Pin, 10-20
Dowel, Bearing Cap, Front and Rear, 13-3, 14-3
Dowel, Bearing Cap, 11-3
Dowel, Ring, 11-12, 13-13, 14-13
Dowel, 15-3, 15-11, 15-13, 15-17
Drain Kit, Solution Tank, 9-16
Drive, 10-21, 10-23, 10-24, 10-25, 10-26

E

Elbow, #3 Inlet, 13-5
Elbow, 90_, 8-28
Elbow, Air Cleaner, 6-78, 6-79, 7-18, 7-19
Elbow, Air, Inlet [Cat 08], 17-19
Elbow, Carburetor, 6-78, 6-79, 7-18, 7-19
Elbow, Fuel Injection Pump, 14-5
Elbow, Intake Manifold (Replaced by None), 13-17, 14-17
Elbow, Water Header, 11-17, 13-18, 14-18
Elbow, Water Outlet, 11-15, 13-16, 14-16
Elbow, Water Pump, 11-17, 13-18, 14-18
Elbow, 6-43, 8-28, 11-19
Element Assembly, Air Cleaner, 6-3
Element, Air Cleaner, 6-3, 8-28
Element, Air Filter, 6-78, 6-79, 7-18, 7-19
Element, Filter, 6-153, 6-154, 8-48
Element, Fltr, Air (Diesel), 6-4
Element, Fltr, Air (Gas), 6-4
Element, Fltr, Air [Dn], 8-31
Element, Fltr, Air, [Dn#P831424], 6-83, 7-21
Element, Fltr, Air, [Dnp822858] Safety, 6-83, 7-21
Element, Fltr, Air, Safety, 9-19
Element, Fltr, Air-Clnr (Diesel), 6-4
Element, Fltr, Air, 6-81, 8-29
Element, Fltr, Fuel (Diesel), 6-4
Element, Fltr, Fuel Lpg [Coalescent], 7-11
Element, Fltr, Fuel, 8-19, 8-21

Element, Fltr, Oil, Spin-on [Dn] (Gas), 6-4
 Element, Fltr, Oil, Spin-on [Dn], 6-155
 Element, Fuel Filter, 6-3, 13-5, 14-5
 Element, Hydraulic Filter (Diesel), 6-4
 Element, Hydraulic Filter (Gas), 6-4
 Element, Hydraulic Filter, 6-3
 Element, Oil Filter (For Engine 16850),
 13-18
 Element, Oil Filter (For Engine 34910),
 13-18
 Element, Oil Filter, 6-3, 11-17, 14-18
 Engine and Pump, 9-11
 Engine Assy, Dsl [550/1550] (See 1011676
 Cat Engine Breakdown, Diesel), 8-7
 Engine Assy, Gas, Clsd Loop [Gm, 3.0]
 (See GM Engine Breakdown,
 Gasoline, LPG), 6-49
 Engine Assy, Lpg, Clsd Loop [Gm, 3.0]
 (See GM Engine Breakdown,
 Gasoline, LPG), 6-49
 Engine, (Replaced by 65951) (See 61697
 Continental Engine Breakdown,
 Diesel), 8-3
 Engine, Block, Long [GM3.0L](See GM
 Engine Breakdown), 6-49
 Engine, Diesel, TM27, (See 65951
 Continental Engine Breakdown,
 Diesel), 8-3
 Engine, Dsl, 63hp [Cat 3.4 2008]
 [550/1550] (See 1040607 Cat Engine
 Breakdown, Diesel), 8-7
 Engine, Gasoline, TM27 (Replaced by
 65947)(See Continental Engine
 Breakdown, Gasoline, LPG), 6-45
 Engine, Gasoline, TM27 (See Continental
 Engine Breakdown, Gasoline, LPG),
 6-45
 Engine, Lpg, TM27 (See Continental
 Engine Breakdown, Gasoline, LPG),
 7-3
 Engine, Partial (Includes block, pistons,
 rods, crankshaft, bearings, rear seal
 gasket), 12-7
 Engine,, 3.0 Liter, Gas/Lpg (See GM
 Engine Breakdown, Gasoline, LPG),
 6-47
 Exhaust Manifold, 15-26
 Exhaust Valve, 15-7
 Extension Kit, Side Squeegees, 9-18
 Extinguisher Kit, Fire, 9-15
 Extinguisher, Fire, 9-15
 Eye, Lift, 6-47
 Eye, Lifting, 11-5, 13-7, 14-7
 Eyebolt, 6-92, 8-35

F

Fan Assembly, Vacuum, 6-161, 8-67
 Fan, Cooling, 18.0d, 8 Blade, 0.5b Taper,
 6-75
 Fan, Cooling, 18.0d, 8 Blade, 0.5b, Taper,
 6-75

Fan, Cooling, 18.0d, 8 Blade, 2.2d Bc,
 6-77, 8-25, 8-27
 Fan, 6-71
 Fastener, Cover, Front [Cat 08], 17-11
 Ferrule, Insulation, 6-32, 8-37
 Filter Assembly, Hydraulic, 6-153, 6-154,
 8-48
 Filter Assembly, Laminar Flow, L.H., 6-171
 Filter Assembly, Laminar Flow, R.H.,
 6-171
 Filter Assy, Fuel, Dsl, 8-21
 Filter Head, Oil, Rework, 8-11
 Filter Kit, Fuelock, (Lpg), 6-4
 Filter Kit, Lpg Lockoff, 7-13
 Filter, Air Cleaner Assembly, 6-81, 8-29
 Filter, Air-Clnr, 8-31
 Filter, Assy, Air, 6-83, 7-21
 Filter, Fuel [Gm 1.6l/3.0l] (Gas), 6-4
 Filter, Fuel [Gm 1.6l/3.0l], 6-89, 6-91
 Filter, Fuel And Water Separator, 13-5
 Filter, Fuel, Gasoline, 11-16
 Filter, Fuel, In-line, (Diesel), 6-4
 Filter, Fuel, In-line, (Gas), 6-4
 Filter, Fuel, In-line, (Lpg), 6-4, 7-5
 Filter, Fuel, In-line, 02pm/08if, 6-87
 Filter, Fuel, In-Line, 6-87, 8-19
 Filter, Fuel, Lpg [Coalescent], 7-11
 Filter, Laminar Flow, 6-171
 Filter, Oil (Gas, Lpg), 6-4, 6-70
 Filter, Oil, (Diesel), 6-4, 8-11
 Filter, Oil, Eng (Diesel), 6-4
 Filter, Oil, Eng, 16-15, 17-15
 Filter, Oil, 6-3
 Filter, Solution Outlet, 6-171
 Fitting Kit [Epr], 7-17
 Fitting, Cap, 7-13
 Fitting, 90 Deg, 6-70
 Fitting, Adaptor, Fltr, Oil, Rework, 8-11
 Fitting, Banjo, 13-5
 Fitting, Brs, Adaptor, 7-13
 Fitting, Brs, E90, Pf04/Pf02, 7-5
 Fitting, Brs, E90, Pf04/Sm06, 7-5
 Fitting, Brs, E90, Pm02/lf05, 6-87
 Fitting, Brs, E90, Pm02/Sm04, 6-47, 8-5
 Fitting, Brs, E90, Pm04/Pf04, 6-87
 Fitting, Brs, E90, Bm06/Pm04, 6-89
 Fitting, Brs, E90, Em05/Pm04, 6-91
 Fitting, Brs, E90, lf05/Pm04, 8-21
 Fitting, Brs, E90, Pm04/Pf04, 7-7, 7-11
 Fitting, Brs, Qdc, Pf04 Lpg Fem, 7-5
 Fitting, Brs, Qdc, Pf04 Lpg Fem, 7-7
 Fitting, Brs, Rst, Pf04/.69-16f, .063, 7-11
 Fitting, Brs, Str, 02mp, Service, 6-81,
 8-29
 Fitting, Brs, Str, Pf02/Pm06, 8-5
 Fitting, Brs, Str, Pf04/Pf04 Bkhd, 7-5
 Fitting, Brs, Str, Pm02/lf05, 8-19
 Fitting, Brs, Str, Pm02/Sm04, 6-47, 8-5
 Fitting, Brs, Str, Pm04/lf04, 6-87
 Fitting, Brs, Str, Pm04/lf05, 6-87
 Fitting, Brs, Str, Pm04/Pm04, 7-5
 Fitting, Brs, Str, lf05/lf05, 6-89
 Fitting, Brs, Str, lf05/Pm02, 8-21

Fitting, Brs, Str, lf05/Pm04, 8-21
 Fitting, Brs, Str, Pf02/Pm06, 8-7
 Fitting, Brs, Str, Pf04/Pf04, Bkhd, 7-7
 Fitting, Brs, Str, Pm02, Service, 6-83,
 7-21, 8-31
 Fitting, Brs, Str, Pm02/lf05, 6-87
 Fitting, Brs, Str, Pm04/Bm06, T, 7-11
 Fitting, Brs, Str, Pm06/Pf04, 8-7
 Fitting, Brs, Str, Pm08/Pf04, 7-11
 Fitting, Brs, Tee, Pf04/Pf04/Pf04, 7-7
 Fitting, Brs, Tee, Pf0j/Pf04/Pm04, 7-5
 Fitting, Bshg, 6-61, 7-17
 Fitting, Bulkhead, 7-3
 Fitting, Cap, 6-45, 6-171
 Fitting, Connector, 8-17, 8-19
 Fitting, Coolant Plug, 10-36, 10-37
 Fitting, Coupling, 6-25, 9-11
 Fitting, Draincock, .25npt 90, 6-75, 7-11,
 8-7, 8-27
 Fitting, E70, 7-13
 Fitting, E90, 6-61, 7-13, 7-17
 Fitting, Elb, 6-57
 Fitting, Elbow, 45_, 6-17, 6-25, 6-145,
 6-147, 6-150, 7-3, 8-45, 8-46, 9-11
 Fitting, Elbow, 6-17, 6-25, 6-27, 6-31,
 6-32, 6-45, 6-71, 6-85, 6-144,
 6-145, 6-147, 6-150, 6-151, 6-153,
 6-154, 6-158, 6-165, 6-167, 6-173,
 7-3, 7-5, 8-3, 8-37, 8-45, 8-46,
 8-47, 8-48, 9-8, 9-11, 16-13, 16-21,
 17-13
 Fitting, Fuel Inlet, Gas, 10-37
 Fitting, Fuel Inlet, Lpg, 10-36
 Fitting, Fuel, Str, 0.38-24 [07 Eng], 6-91
 Fitting, Fuel, Str, 0.56-18 [07 Eng], 6-91
 Fitting, Grease, 45_, 6-17
 Fitting, Grease, 6-17, 6-28, 6-29, 6-161,
 6-165, 8-67, 10-30
 Fitting, Hose, 10hose/Pm06, 7-13
 Fitting, Hose, Vacuum, .25, 7-13
 Fitting, Hose, 6-57
 Fitting, Hyd, Cap Jf06, 6-70
 Fitting, Hyd, Cap Jf08, 8-11, 16-15
 Fitting, Hyd, E45, Jm04/Pm08, 7-11
 Fitting, Hyd, E45, Jm06/Jf06, 8-11
 Fitting, Hyd, E45, Jm10/Om08, 6-149
 Fitting, Hyd, E90, Jf06/Jm06, 6-152
 Fitting, Hyd, E90, Jm04/Om04, 6-163
 Fitting, Hyd, E90, Jm04/Om06, 6-149
 Fitting, Hyd, E90, Jm06/Jm06, 6-70
 Fitting, Hyd, E90, Jm06/Om05, 6-70
 Fitting, Hyd, E90, Jm06/Om06, 6-146,
 6-149
 Fitting, Hyd, E90, Jm06/Om08, 8-11
 Fitting, Hyd, E90, Jm06/Pm04, 7-7
 Fitting, Hyd, E90, Jm08/Jm08 Bh, 8-11,
 16-15
 Fitting, Hyd, E90, Jm08/Pm04, 7-11
 Fitting, Hyd, E90, Jm10/Om08, 6-149
 Fitting, Hyd, E90, Jm10/Om10, 8-11
 Fitting, Hyd, E90, Jm12/Om10, 6-149,
 6-152

CROSS REFERENCE

- Fitting, Hyd, E90, Jm12/Om16, 6-73, 6-152, 8-25, 8-27
- Fitting, Hyd, E90, Jm16/Om16, 6-75
- Fitting, Hyd, E90, Metric, Spcl, 17-15
- Fitting, Hyd, E90, Spcl, 7-7
- Fitting, Hyd, E90, Swivel Pf04/Pm04, 7-5
- Fitting, Hyd, Plug, Jm06, 17-15
- Fitting, Hyd, Plug, Om04, 10-34, 10-35
- Fitting, Hyd, Plug, Om10, 6-146
- Fitting, Hyd, Plug, Om20, 10-19
- Fitting, Hyd, Str, 02bsppm/Pf02, 8-7
- Fitting, Hyd, Str, Jf16/Jm12, 6-146
- Fitting, Hyd, Str, Jm04/Jm04, 6-143
- Fitting, Hyd, Str, Jm04/Om06, 6-146
- Fitting, Hyd, Str, Jm05/Om06, 6-89
- Fitting, Hyd, Str, Jm06/Jf10, 8-11
- Fitting, Hyd, Str, Jm06/Om04, 6-75
- Fitting, Hyd, Str, Jm06/Om06, L, 6-33
- Fitting, Hyd, Str, Jm06/Om06, 6-33, 6-89, 6-149, 6-157
- Fitting, Hyd, Str, Jm06/Om08, 6-157
- Fitting, Hyd, Str, Jm06/Om10, 6-152
- Fitting, Hyd, Str, Jm06/Pm04, 7-7
- Fitting, Hyd, Str, Jm08/Om08, 6-157
- Fitting, Hyd, Str, Jm08/Om10, 6-75, 6-152, 6-163
- Fitting, Hyd, Str, Jm10/Om08, 6-146
- Fitting, Hyd, Str, Jm10/Om12, 6-152
- Fitting, Hyd, Str, Jm12/Om10, 6-149
- Fitting, Hyd, Str, Jm12/Om12, 6-157
- Fitting, Hyd, Str, Jm12/Om16, 6-152
- Fitting, Hyd, Str, Jm16/Om16, 6-146, 6-155, 6-157
- Fitting, Hyd, Str, Jm24/Om20, 6-146, 6-152
- Fitting, Hyd, Str, Metric, Om12/Pf04, 8-21
- Fitting, Hyd, Str, Metric, Om16/Pf06, 8-7
- Fitting, Hyd, Str, Om04/Qm04, 6-157
- Fitting, Hyd, Str, Pm02/Pm02, 6-87
- Fitting, Hyd, Str, Pm08/Pf02, 6-47
- Fitting, Hyd, Tee, Jf06/Jm06/Jm06, Br, 6-75
- Fitting, Hyd, Tee, Jf08/Jm08/Jm08, Run, 6-163
- Fitting, Hyd, Tee, Jf16/Jm16/Jm16, Run, 6-146
- Fitting, Hyd, Tee, Jm08/Jm08/Om08, Br, 6-157
- Fitting, Hyd, Tee, Jm08/Jm08/Om08, Run, 6-157
- Fitting, Nipple, .25mal, 7-17
- Fitting, Nipple, .25npt, Brs, 7-13
- Fitting, Nipple, 6-25, 7-3, 9-11
- Fitting, Orifice, Jet [Cat 08], 17-3
- Fitting, Pipe, E90, .75-16, 8-11, 16-15
- Fitting, Pipe, E90, Pm02/Pf02, 6-81, 6-83, 7-21, 8-29, 8-31
- Fitting, Pipe, Plug, Pm04 Hex Soc, 7-11
- Fitting, Pipe, Str, Pm04/Pm04 01.5l,Blk, 6-47
- Fitting, Pipe, Str, Pm04/Pm04 02.0l,Blk, 7-5
- Fitting, Pipe, Str, Pm04/Pm04 02.5l,Blk, 7-7
- Fitting, Pipe, Tee, Pf02/Pf02/Pf02,Blk, 6-47
- Fitting, Pipe, Tee, Pm06/Pf06/Pf06, 7-13
- Fitting, Plstc, Tee, Bm12/Pf08/Bm12, 7-11
- Fitting, Plstc, Tee, Bm12/Pf12/Bm12, 6-167
- Fitting, Plug, .50-20 Hex, 8-19
- Fitting, Plug, 6-43, 6-145, 6-158, 8-46
- Fitting, Restrictor, 6-147, 8-45
- Fitting, Str, E90, .25npt, 7-13
- Fitting, Str, 7-13, 16-15, 17-15
- Fitting, Straight, Brass, 6-45
- Fitting, Straight, 6-25, 6-27, 6-31, 6-32, 6-45, 6-71, 6-85, 6-139, 6-141, 6-144, 6-145, 6-147, 6-150, 6-151, 6-153, 6-158, 6-167, 6-173, 8-3, 8-17, 8-37, 8-43, 8-45, 8-46, 8-47, 9-8
- Fitting, Tee, 6-25, 6-144, 6-145, 6-147, 6-150, 6-151, 6-153, 6-154, 6-158, 6-167, 7-3, 8-45, 8-46, 8-47, 8-48, 9-8
- Fitting, 6-57, 6-59, 6-70, 7-9, 7-11, 7-14
- Fitting, Plstc, Str, Bm06/M.69-16, 7-11
- Flange, Bearing, 6-27, 6-28, 6-29, 6-31
- Flange, Mounting, 10-21, 10-24
- Flange, 16-23, 17-21
- Flap, Containment, 6-3, 6-4, 6-21, 6-23
- Flap, Wand, Vacuum (Gas/LPG Only), 6-165
- Flasher, 9-4
- Flywheel (For Engine 16850), 13-13
- Flywheel (For Engine 34910), 13-13
- Flywheel Assy, 15-19
- Flywheel, 11-12, 14-13, 16-12, 17-12
- Foam, Acoustic, 6-161, 8-67
- Follower, Piston, 10-7, 10-11
- Frame Wldt, Tractor [550/1550], 6-11
- Frame Wldt, 6-11
- Frame, Main Tractor, 1550, 6-8
- Frame, Muffler, 6-161, 8-67
- Frame, Rear, 6-173
- Frame, Scrubber Head, 6-21, 6-25
- Frame, Side Squeegee, L.H., 6-23, 9-18
- Frame, Side Squeegee, R.H., 6-21, 9-18
- Frame, Spray Deflector, 6-171
- Frame, Squeegee, 6-19
- Fuel Filter Lock, 7-3
- Fueline, Bleeder, 16-23, 17-21
- Fueline, Cyl #1, 16-23, 17-21
- Fueline, Cyl #2, 16-23, 17-21
- Fueline, Cyl #3, 16-23, 17-21
- Fueline, Cyl #4, 16-23, 17-21
- Fueline, Return, 16-23, 17-21
- Fuelline, .31d 05if/None Stl, 8-21
- Fuelline, .31d Str/Str, Plstc, 6-89
- Fuelline, .31d 03.1l 05if/05if Stl, 6-87, 8-21
- Fuelline, .25d None/None Stl, 8-19
- Fuelline, .31d 05if/05if Stl, 6-89
- Fuelline, .31d 05if/None Stl, 8-19
- Fuelline, .31d E90/Str, Plstc, 6-89
- Fuelline, .31d 05if/Qm Stl, 6-89
- Fuelline, .31d E90, 05/06, Plstc, 6-91
- Fuelline, .31d Str/Str, Plstc [8200], 6-91
- Fuelline, .31d 05if/05if Stl, 6-87
- Fuelline, Cpr .25d 04if/04if, 6-87
- Fuelline, Dsl [550], 8-21
- Fuse, 1 A, 6-129
- Fuse, 10 A, 6-132
- Fuse, 10 Amp, 6-127
- Fuse, 15 A, 6-129
- Fuse, 15 Amp, [Min-15], 6-127
- Fuse, 20 Amp, [Min-20], 6-127
- Fuse, 5 Amp, [Min-5], 6-127
- Fuse, 60 Amp, 6-127
- Fuse, 80 A, 8-32, 8-33

G

- Gasket Flng, Exhaust, 6-69
- Gasket Kit, Manifold, 6-57, 7-9, 7-11
- Gasket Set, Front, 11-11, 13-12, 14-12
- Gasket Set, Manifold, 11-13, 13-14, 14-14
- Gasket Set, Top (For Engine 16850), 13-7
- Gasket Set, Top (For Engine 34910), 13-7
- Gasket Set, Top, 14-7
- Gasket Set, 11-5
- Gasket, Air Outlet, 6-4
- Gasket, Body, Throttle [1.6l], 6-59, 6-61, 7-13, 7-17
- Gasket, Carb, 6-59, 7-13
- Gasket, Carburetor Air Horn, 6-78, 6-79
- Gasket, Carburetor, 11-16
- Gasket, Coolant, 16-17, 17-17
- Gasket, Cover, Sandblast, 6-4
- Gasket, Cover, Side, 16-19, 17-18
- Gasket, Cover, Timing [Cat 08], 17-11
- Gasket, Cover, Valve, 16-7, 17-7
- Gasket, Cover, 6-169, 13-7, 14-7
- Gasket, Cylinder Head (For Engine 16850), 13-7
- Gasket, Cylinder Head (For Engine 34910), 13-7
- Gasket, Cylinder Head, 11-5, 14-7
- Gasket, Distributor, 11-19
- Gasket, Door, Clean-Out, 6-4
- Gasket, Door, 6-4, 6-169
- Gasket, Elbow, 11-15, 13-16, 14-16
- Gasket, Exhaust, .07, 1.63id, 2/3.4bc, 6-69
- Gasket, Exhaust, 2 Hole, 3.4bc, 6-67
- Gasket, Exhaust, 8-15, 16-21, 17-19
- Gasket, Fan, 6-161, 8-67
- Gasket, Front Suction Tube, 6-169
- Gasket, Fuel Pump, 11-19, 13-5, 14-5
- Gasket, Gear Cover, 11-11, 13-12, 14-12
- Gasket, Head [Cat 08], 17-7
- Gasket, Head Cover, 11-5
- Gasket, Head, Rear, 16-7, 17-7
- Gasket, Head, 16-7
- Gasket, Header, 11-15, 13-16, 14-16
- Gasket, Heater, Water, 16-19, 17-18

Gasket, Injection Pump, 13-5, 14-5
 Gasket, Intake, 8-3
 Gasket, Lower Door, 6-171
 Gasket, Lpg, Adapter [Gm 2007], 7-17
 Gasket, Lpg, Mixer [Gm 2007], 7-17
 Gasket, Manifold, Exhaust, 13-14, 14-14
 Gasket, Manifold, Intake, 6-61, 7-17
 Gasket, Manifold, 11-13, 13-14, 14-14, 16-21, 17-19
 Gasket, Oil Pan, Form-In-Place, 13-3, 14-3
 Gasket, Oil Pan, Form-in-Place, 11-3
 Gasket, Plate, Front, 16-11
 Gasket, Rear Bearing Cap, 11-3
 Gasket, Rear Bearing Cup, 13-3, 14-3
 Gasket, Rear, 16-12, 17-12
 Gasket, Screen, 6-169
 Gasket, Sender, Fuel, 6-89, 6-91, 8-21
 Gasket, Tail Pipe, 6-63, 8-3
 Gasket, Tank Adaptor, 9-13
 Gasket, Tank, 6-171
 Gasket, Thermostat [Cat 08], 17-17
 Gasket, Throttle, 8-5
 Gasket, Tube, Suc, Front, 6-4
 Gasket, Tube, Suc, Rear, 6-4
 Gasket, Upper Door, 6-171
 Gasket, Wand Adaptor, 9-13
 Gasket, Water Pump to Crankcase, 11-14, 13-15, 14-15
 Gasket, 6-4, 6-57, 6-59, 6-65, 6-67, 6-85, 6-87, 7-9, 7-11, 7-13, 7-14, 8-11, 8-13, 8-17, 8-19, 12-3, 12-5, 12-9, 12-11, 12-12, 15-3, 15-17, 15-18, 15-25, 15-26, 15-28, 15-29, 16-11, 16-12, 16-15, 16-17, 16-21, 16-23, 17-7, 17-12, 17-15, 17-17, 17-19, 17-21
 Gauge, Fuel Level, 6-129
 Gauge, Fuel, 0-90ohm 8-18vdc, 6-131, 8-65
 Gauge, Oil Pressure, 6-129
 Gauge, Temp, 100-260 2.3d 12vdc, 6-131, 7-23, 8-65
 Gauge, Water Temperature, 6-129
 Gear [Power Take Off], 16-13, 17-13
 Gear Assy, Idler, Pump, Hyd [En], 10-19
 Gear Assy, Idler, Pump, Hyd, 10-19
 Gear Assy, Idler, 10-15, 10-17
 Gear Kit, 11-18
 Gear, 23 Tooth, 16-5, 17-5
 Gear, Camshaft, 11-7, 13-8, 14-8, 15-11
 Gear, Cover [Cat 08], 17-11
 Gear, Crankshaft, 11-8, 13-9, 14-9, 15-5
 Gear, Drive, Pump, Hyd [En], 10-19
 Gear, Drive, Pump, Hyd [En], 10-19
 Gear, Drive, 10-15, 10-17
 Gear, Idler, 10-15, 10-17, 10-19, 16-11, 17-11
 Gear, Injection Pump Driver, 13-8, 14-8
 Gear, Injection Pump, 13-5, 14-5
 Gear, Injection, Fuel, 16-11, 17-11
 Gear, Pump, 15-15
 Gear, Ring, 15-19

Gear, 10-15, 10-17, 12-5, 12-11, 12-12, 15-13, 16-11, 17-11
 Geroler, 10-23
 Geroter, Ring In, 10-9, 10-13
 Geroter, Ring Ot, 10-9, 10-13
 Geroter, 10-25, 10-26
 Gerotor, 10-21, 10-24
 Glow Plug, 15-27, 16-27, 17-24
 Governor Assembly, 11-7
 Grease, Special, 6-3, 6-4
 Grip, Handle, 9-9
 Grip, Vyl, .18 X .75 X 4.00, 8-9
 Grommet, 0.38 in (10 mm) I.D., 6-9
 Grommet, Breather, Oil, 12-3
 Grommet, Rbr, 0.25id, F/ 0.8h, .09 Matl, 9-6
 Grommet, Rubber, 9-3
 Grommet, 6-23, 6-47, 6-59, 6-61, 6-144, 7-13, 7-17, 9-5
 Guard Kit, Overhead, 9-7
 Guard, Belt, Alternator, 6-53
 Guard, Flow Switch, 6-144
 Guard, L.H., 6-159
 Guard, Lh, Fan, [550 2007 Engines], 6-75
 Guard, R.H., 6-159
 Guard, Rh, Fan, [550 2007 Engines], 6-75
 Guard, Splash, 6-21, 6-23
 Guard, Squeegee, 6-159
 Guard, Top, 9-7
 Guard, Valve Stem Oil, 11-5, 13-7, 14-7
 Guide [Cat 08], 17-3
 Guide, Dipstick, 16-3
 Guide, Spring, 6-172
 Guide, Valve Stem, 11-5, 13-7, 14-7
 Guide, 15-7, 16-7

H

Handle Assembly, Complete, 10-27
 Handle, Nozzle, 9-13
 Handle, Sludge Removal, 9-9
 Handle, Throttle, Dsl, 8-9
 Handle, Valve, Cntrl, 6-149
 Harness, Eng [3.0l, Gm, E-cntrl], 6-127
 Harness, Eng, Gas [3.0l 2007], 6-127
 Harness, Eng, Lpg [3.0l 2007], 6-127
 Harness, Engine, Perkins, [550/1550], 8-33
 Harness, Injector, Gas[3.0l Gm,E-Cntrl], 6-127
 Harness, Lpg Injector [3.0l, Gm,E-Cont], 6-127
 Harness, Main, Dsl, [550/1550 Cat], 8-63
 Harness, Main, Gas/Lpg [550/1550], 6-127
 Harness, Main, Perkins/Gm, [550/1550], 6-117
 Harness, Manifold, Gas, 6-91
 Harness, Panel, Control [550], 8-63
 Harness, Panl, Cntrl [550], 6-127
 Harness, Sensing, Level, Srs [1550], 6-131, 7-23, 8-65
 Harness, Sqge, Vacuum, 6-127, 8-63
 Harness, Srs [1550], 6-127, 8-63

Harness, Switch, Oil Press, Ground Wire, 6-49
 Harness, Taillight [1550], 9-3
 Harness, Tank, Sqge [1550], 6-127, 8-63
 Harness, Tractor [550/1550], 6-127, 8-63
 Head Assembly, Cylinder, 11-5
 Head Assy, Cylinder, 16-7
 Head Assy, Fltr, Hyd, 6-155
 Head Gasket, 15-7, 15-28
 Head, Cyl [Cat 08], 17-7
 Head, Cylinder, 13-7, 14-7
 Head, 12-3
 Header, Water Outlet, 11-15, 13-16, 14-16
 Headlight Assembly, 9-3
 Hi Alt Vaporizer Spring, 7-3
 Hinge, Seat, 6-15
 Holder, Fuse, 6-129, 6-132, 8-32, 8-33, 9-3
 Hook, Chain, 6-21
 Hook, Lift [Gm3.0l 2007], 6-49
 Hook, Rubber, 9-13
 Hook, S, 6-15
 Hook, 6-23, 6-169
 Hopper Assembly, 6-18
 Hopper, Debris, 6-18
 Horn Button Assembly, 6-32, 8-37
 Horn, 12 Volt, 6-9
 Horn, 12vdc, Dbal [Wolo], 6-11
 Hose Assembly, 6-3, 6-161, 8-67
 Hose Assy, Primary To Secondary, Lpg, 7-9, 7-11
 Hose Assy, Pvc, W/ Cuff, 2.0d, 48.0l, 6-4
 Hose Assy, W/1cuff, 1.5d 120l 1.5/, 6-3, 6-4, 6-169
 Hose Kit, Vacuum, SRS, 6-3
 Hose, .50, 6-70
 Hose, [Pcv], 6-47
 Hose, 0050, 04, 1m05str /lf05str, 10.0, 6-87, 6-89, 8-21
 Hose, 9.5mm X 450mm [Pcv], 6-59, 7-13
 Hose, Air, Intake [550d], 8-31
 Hose, Balancing, Press, 45mm, 7-13
 Hose, Balancing, Press, 680mm, 7-13
 Hose, Breather, 16-25, 17-22
 Hose, Coolant, 1.50id To 1.75id, Mold, 6-75
 Hose, Coolant, Mold, 1.50id To 1.50id, 6-75
 Hose, Elbow to Filler Cap, 13-17, 14-17
 Hose, Flex, Vacuum, 3.0d 20.0l, 6-4
 Hose, Flex, Vacuum, 4.0d 41.1l, 6-4
 Hose, Flex, Vacuum, 4.0d 54.0l, 6-4
 Hose, Flex, Vacuum, 4.0d 15.0l, 6-163
 Hose, Fuel Line, 6-85, 8-17
 Hose, Fuel, 0.31id [Evap Emission 07], 6-91
 Hose, Fuel, .38d, Rbr, 6-61, 7-17
 Hose, Fuel, #1 Leak-off End, 13-5
 Hose, Fuel, 0.25id 04.0l, 8-19
 Hose, Fuel, 0.25id 08.0l, 8-21
 Hose, Fuel, 0.25id 13.0l, 6-87
 Hose, Fuel, 0.31id 03.0l, 8-21

CROSS REFERENCE

- Hose, Fuel, 0.31id 16.0l, 6-89
Hose, Fuel, 0.50id 52.0l, 6-59
Hose, Fuel, 0.50ld 52L, 6-57
Hose, Fuel, 165mm, 7-13
Hose, Fuel, Jf06e90, 20.3l, 6-89
Hose, Fuel, 8-19, 13-5, 14-5
Hose, Heater, .38id 18L, 7-9
Hose, Heater, .38id 21L, 7-9, 7-11
Hose, Heater, .38id, 6-57
Hose, Heater, 0.62id 18.0l, 6-83, 7-21
Hose, Hi Press, Lp, 7-9
Hose, Hi Press, Lpg 34L, 7-5
Hose, Hopper, 6-3, 6-18
Hose, Hyd, Low06, Jf06str/Jf06str, 026.0, 17-15
Hose, Hyd, Med06, Jf06str / Jf06e90,66.0, 6-143
Hose, Hyd, Med06, Jf06str / Jf06str,26.0, 6-143
Hose, Hyd, Med06, Jf06str/Jf06e90, 84.0, 6-143
Hose, Hyd, Med06, Jf06str/Jf06str, 66.0, 6-143
Hose, Hyd, Med08, Jf08str/Jf08e45, 64.0, 6-143
Hose, Hyd, Med08, Jf08str/Jf08e90, 24.0, 6-143
Hose, Hyd, Med10, Jf10str/Jf10e90, 24.0, 6-143
Hose, Hyd, Med12, Jf12str/Jf12str, 48.0, 6-143
Hose, Hyd, Med16, Jf16str/Jf16e90, 29.0, 6-143
Hose, Hyd, Med16, Jf16str/Jf16str, 36.0, 6-143
Hose, Hyd, Med16, Jf16str/Jf16str, 54.0, 6-143
Hose, Hyd, Str/Str, 68l, 6-143
Hose, Hyd, Suc24, Jf24str/Jf24e90, 33.0, 6-143
Hose, Hyd, Tc 06, Jf06str/Jf06e90, 70.0, 6-143
Hose, Hyd,Hi 12, Jf12str/Jf12e90, 32.0, 6-143
Hose, Hyd,Hi 12, Jf12str/Jf12str, 40.0, 6-143
Hose, Hyd,Hi 12, Jf12str/Jf12e90, 26.0, 6-143
Hose, Hyd,Hi 12, Jf12str/Jf12e90, 30.0, 6-143
Hose, Hyd,Low04, Jf04str/Jf04e90, 25.0, 6-143
Hose, Hyd,Low04, Jf04str/Jf04e90, 30.0, 6-143
Hose, Hyd,Low06, Jf06str/Jf06e90, 52.0, 6-143
Hose, Hyd,Low06, Jf06str/Jf06str, 22.0, 8-11
Hose, Hyd,Low06, Jf06str/Jf06str, 26.0, 6-70
Hose, Hyd,Low06, Jf06str/Jf06str, 13.0, 8-11
Hose, Hyd,Low12, Jf12str/Jf12str, 27.0, 6-143
Hose, Hyd,Med04, Jf04str/Jf04e45, 165.0, 6-143
Hose, Hyd,Med04, Jf04str/Jf04e90, 42.0, 6-143
Hose, Hyd,Med04, Jf04str/Jf04str, 36.0, 6-143
Hose, Hyd,Med06, Jf06str/Jf06e90, 68.0, 6-143
Hose, Hyd,Med06, Jf06str/Jf06e90l,115.0, 6-143
Hose, Hyd,Tc 08, Jf08str/Jf08e90, 36.0, 6-143
Hose, Hyd,Tc 08, Jf08str/Jf08e90, 46.0, 6-143
Hose, Hydraulic, 6-139, 6-141, 6-158, 8-43, 9-8
Hose, Injection (For Engine 16850), 13-5
Hose, Intake, Mold, 2.50id 2.50id,[Epdm], 8-31
Hose, Intake, Mold, E90 E90 2.0id 2.0id, 6-83, 7-21
Hose, Intake, Mold, E90, 2.0id[550/1550], 7-21
Hose, Lpg, Med04, Jf04str/Jf04str, 48.0l, 6-47, 8-5
Hose, Lpg, Med05, Pm04str/Sm04str, 54.0l, 7-7
Hose, Lpg, Med06, Jf06str/Jf06str, 20.0l, 7-7
Hose, Lpg, Med06, Pm04str/Pm04str, 18.0l, 7-5, 7-7
Hose, Lpg, Med08, Jf08str/Jf08str, 35.0, 7-11
Hose, Lpg, Med08, Jf08str/Jf08str, 41.0, 7-11
Hose, LPG, 7-3
Hose, Mold [Epr To Mixer], 7-17
Hose, Mold, .62 To .75, 7-13, 7-17
Hose, Mold, .62 X 37.0, 7-13
Hose, Mold, 1.88od To 1.50id [550 07], 6-75
Hose, Oil Cooler, 11-17, 13-18, 14-18
Hose, Oil Drain, 8-11, 16-15
Hose, Pump Inlet, 6-167
Hose, Pump Outlet, 6-167
Hose, Pvc, Clr, 0.38id 0.56od 13.00l, 7-11
Hose, Pvc, Clr, 0.38id 0.56od 36.00l, 8-7
Hose, Radiator, Lower [550d], 8-27
Hose, Radiator, Lower, 6-73, 8-25
Hose, Radiator, Upper [550d], 8-27
Hose, Radiator, Upper, 6-73, 8-25
Hose, Radiator, 6-71, 8-23
Hose, Rbr, 2.00id 2.40od 07.5l, 6-4
Hose, Rbr, 2.00id 2.50od 03.0l, 6-81, 6-83, 7-21, 8-29
Hose, Rbr, E90 1.50id 1.50id 04.0 02.8, 6-75
Hose, Rbr, E90 2.00id 2.00id 03.5 2.3, 6-81, 8-29
Hose, Rbr, E90 2.00id 2.00id 03.5 03.5, 6-83, 7-21
Hose, Rbr, E90, 6-81, 8-29
Hose, Rubber, 6-25, 6-78, 6-79, 6-167, 7-3, 7-18, 7-19
Hose, Squeegee Suction, 6-171
Hose, Squeegee, 6-3
Hose, Suction Drain, 6-169
Hose, Suction, 9-11
Hose, Supply, Gas, .25id, 7-17
Hose, Vacuum, 6-169, 11-18
Hose, Valve, Fuel Trim, 325mm, 7-13
Hose, Valve, Press Trim, 405mm, 7-13
Hose, Vinyl, 6-167
Hose, Water Heater, 6-57
Hose, Water, 7-9, 7-11
Hose, 6-45, 9-11, 9-13, 11-16, 13-5, 15-23, 15-25, 16-17, 17-17
Hourmeter, 12-24vdc, Analog, Rnd, 6-131, 7-23, 8-65
Housing Assembly, Bearing, 6-165
Housing Assembly, Front, 6-161, 8-67
Housing Assembly, Pump, 10-4
Housing Assembly, Relief, 10-4
Housing Assy, Hub, 6-77
Housing Assy, Throttle, Gas, [With Ecu] (See Breakdowns), 6-57
Housing Assy, Throttle, Gas, [With Ecu], 10-37
Housing Assy, Throttle, Gas, 6-59
Housing Assy, Throttle, Lpg [GM 3.0l], 7-13
Housing Assy, Throttle, Lpg, (See Breakdowns), 7-11
Housing Assy, Throttle, Lpg, [With Ecu] (See Breakdowns), 7-9
Housing Assy, Throttle, Lpg, [With Ecu], 10-36
Housing Assy,, 10-23
Housing S/A, 10-7, 10-11
Housing Wldt, Vacfan, Rear, 9.0impeller, 6-163
Housing, [Ktr], 8-5
Housing, Bearing, 6-161, 8-67
Housing, Brg, 10-23, 16-13, 17-13
Housing, Filter, L.H., 6-171
Housing, Filter, R.H., 6-171
Housing, Flywheel [3.0l], 6-49
Housing, Flywheel, Mach, [704] Perk, 8-7
Housing, Flywheel, 6-47, 11-12, 13-13, 14-13, 16-12, 17-12
Housing, Front, 6-161, 8-67, 17-11
Housing, Gear, 16-11
Housing, Pivot, 6-165
Housing, Probe, 6-171
Housing, Pump, 10-15, 10-17, 10-19
Housing, Rear, 6-161, 8-67
Housing, Steering Column, 6-8
Housing, Thermostat [Gm3.0l 2007], 6-49
Housing, Throttle, 40mm [Bosch], 6-59, 6-61, 7-13, 7-17
Housing, Throttle, Gas, 10-37
Housing, Throttle, Lpg, 10-36

Housing, Vacfan, Front, W/ Label, 6-163
 Housing, Control, 10-20
 Housing, 10-7, 10-11, 10-15, 10-17,
 12-3, 12-5, 12-11, 15-25
 Hub Assembly, 6-35, 6-37
 Hub, Brush Drive, 6-31
 Hub, Brush, 6-27, 6-28, 6-29
 Hub, 6-77
 Hydraulic Fluid, 5 Gal (18.9 L), 6-3, 6-4

I

Idler Assembly, Front Scrub Brush, 6-28
 Idler Assembly, Rear Brush, 6-29
 Idler Gear, 15-11
 Impeller, 9.5d, 18 Blade Mach, 6-163
 Impeller, 6-161, 8-67
 Indicator, Air Filter, 6-81, 8-29
 Indicator, Filter Service, 6-78, 6-79, 7-18,
 7-19, 8-28
 Indicator, Service, Air Filter 20h20 Dn,
 6-83, 7-21, 8-31
 Inj Pipe #1 Cyl, 15-17
 Inj Pipe #2 Cyl, 15-17
 Inj Pipe #3 Cyl, 15-17
 Inj Pipe #4 Cyl, 15-17
 Injection Pump (See Breakdown), 15-17
 Injection Pump, 15-18
 Injector, Fuel, Lpg [Gm Zeems 550/6600],
 10-36
 Injector, Gas, W/ Top And Bottom Org,
 10-37
 Inlet Section, 10-27
 Inlet Valve, 15-7
 Insert, Combustion Chamber (Replaced by
 None), 13-7, 14-7
 Insert, Drive, 6-45
 Insert, Exhaust, 16-7
 Insert, Inlet, 16-7
 Insert, 15-7
 Instr. Repair Info, Motor, 10-23
 Instr, Pump Repair, 10-15, 10-17, 10-19
 Instr, Seal Kit, Motor, 10-32, 10-33
 Insulation, Acstc, 0.8 11.0w 33.6l Notch,
 6-13
 Insulation, Acstc, 0.8 14.8w 21.3l, 6-13
 Insulation, Acstc, 0.8 14.8w 32.8l, 6-13
 Insulation, Acstc, 0.8 17.0w 52.1l Notch,
 6-13
 Insulation, Acstc, 0.8, 20.3 X 19.3, 6-15
 Insulation, Acstc, Cover, Eng, 6-13
 Insulation, Cover [Cat 08], 17-11
 Insulation, Engine Access Door, 6-14
 Insulation, Engine Cover, 7-24
 Insulation, Front, Side Door, L.H., 6-14
 Insulation, Rear, Side Door, L.H., 6-14
 Insulation, Seat, 6-14
 Insulation, Side Door, R.H., 6-14
 Insulation, Tank Opening, 7-24
 Insulation, Top, Hydraulic Tank Door, 6-14
 Insulator, Panel & Switchboard, 6-131,
 7-23, 8-65
 Insulator, 9-3

Isolator [Epr], 7-17
 Isolator Kit, Mtg, Vaporizer, Rbr, 7-13
 Isolator, Box, Relay, 6-61, 7-13, 7-16
 Isolator, Rbr, 6-69
 Isolator, Rubber, 6-67
 Isolator, Vib, Bshg, 1.1d 0.6l .4b 0.78h,
 6-65, 6-67, 6-69, 6-163, 8-13, 8-15
 Isolator, Vib, Bshg, 1.9d 0.9l .6b 1.16h,
 6-75, 8-27
 Isolator, Vib, Dia .50 [Ko], 8-7
 Isolator, Vib, Flng, 1.3h .5b 2/.39h, 6-49
 Isolator, Vib, Flng, 2.0h .5b 2/.41h, 6-49
 Isolator, Vib, Ring, 1.9d 0.5l 1.3b, 6-75,
 8-27
 Isolator, Vibration, 6-27, 6-31, 6-63,
 6-145, 8-46

J

Joint/Gasket Kit, 15-29
 Joint/Gasket, 15-28
 Joint, 15-11, 15-17, 15-23, 15-26, 15-28,
 15-29

K

Key (Replaced by None), 11-8, 13-9, 14-9
 Key Square 0.12 0.12 01.00 Lg, 10-32
 Key, Ignition Switch (Set of 2), 6-129
 Key, Ignition, [Set Of 2], 6-131, 7-23,
 8-65
 Key, Round [En], 10-19
 Key, Round, 10-15, 10-17
 Key, Sq, 0.12 X 0.12, 0.50l, 10-33
 Key, Square, 6-161, 8-67
 Key, Woodruff, 6-27, 6-31, 6-45, 8-3,
 10-21, 10-24, 11-10, 13-11, 14-11
 Key, 10-9, 10-13, 10-23, 11-7, 12-3,
 12-11, 12-12, 13-8, 14-8, 15-5,
 16-5, 16-9, 17-5, 17-9
 Kit, Connector, Coolant Sensor, 10-36,
 10-37
 Kit, Connector, Gas Injector, 10-37
 Kit, Connector, Govnr, 10-36, 10-37
 Kit, Connector, Sensor, [lat], 10-36, 10-37
 Kit, Connector, Sensor, [Map], 10-36
 Kit, Conrod, 15-5
 Kit, Contact And Brush, [64433-000] En,
 6-32, 8-37
 Kit, Ftg, Coolant, Gas, 10-37
 Kit, Ftg, Coolant, Lpg, 10-36
 Kit, Maint, 800hr [550 G/Lp/D], 6-4
 Kit, Org, Injector And Reg, Gas, 10-37
 Kit, Org, Injector, Top And Bottom, Lpg,
 10-36
 Kit, Piston Ring, 15-5
 Kit, Reg, Gas Press, 10-37
 Kit, Repair, Reassembly, Fan, 6-163
 Kit, Replacement, Air Cleaner F/76827,
 6-78, 7-18
 Kit, Replmt, Control, Govnr, [All Purpose],
 8-33

Kit, Seal, Motor, Hyd, Gear [Barns], 10-32,
 10-33
 Kit, Seal, Pump, Hyd [En], 10-19
 Kit, Seal, Pump, 10-15, 10-17
 Kit, Wire, Ignition, 11-18
 Knob, Adjusting, 6-27
 Knob, Ball, 1.25d 0.38-16 Plstc, 6-149
 Knob, Brush Adjusting, 6-31
 Knob, Door Latch, 6-169
 Knob, 6-17, 6-18, 6-25, 6-44, 6-132,
 6-147, 6-158, 6-171, 8-45

L

Label, [Caution], [Travel Slowly], 6-175
 Label, [Warning], Heavy Lpg Tank (LP
 ONLY), 6-175
 Label, Brush Pressure, 6-23
 Label, Brushes, 6-9
 Label, Caution, [Apply Parking Brake],
 6-175
 Label, Caution, [Diesel Fuel Only], 8-19
 Label, Caution, Reduce Travel, 6-8
 Label, Console, Instmt, 6-131, 7-23, 8-65
 Label, Control, Sqge, 6-131, 7-23, 8-65
 Label, Control, Throttle, 6-175
 Label, Danger, Fan Suction, 6-161, 8-67
 Label, Danger, Keep Out Pinch, 6-9
 Label, Engine Fan, 6-71
 Label, Gasoline Only, 6-85, 6-87
 Label, Headlock, 6-17
 Label, Important, 6-9
 Label, Info, [Tire Pressure], 6-175
 Label, Info, Alternator Equipped, 6-175
 Label, Info, Jack Point, Tractor, 6-175
 Label, Instr, Filter Drain, 7-11
 Label, Instruction, Pump Lever Model,
 6-25
 Label, Instruction, Pump Prime, 6-25
 Label, Instrument Console, 6-129
 Label, Jack At This Point, 6-9
 Label, Logo, Tennant, Oval, 114l, Blk,
 6-175
 Label, Lubricating Instructions, 6-161,
 8-67
 Label, Maint, [550], 6-175
 Label, Maint, [Radiator Fins], 6-175
 Label, Maintenance Chart, 6-9
 Label, Maintenance Note, 6-9
 Label, Opertnl, Instmt Panel, [550], 6-175
 Label, Patent, Power Scrubber, 6-175
 Label, Patent, Scrubber, 6-9
 Label, Stripe, [Tennant],[550], 6-175
 Label, Stripe, 36.00, [550], 6-175
 Label, Stripe, Front, 6-9, 6-169
 Label, Stripe, L.H., 6-169
 Label, Stripe, R.H. (not shown), 6-169
 Label, Stripe, Side, 6-9
 Label, Stripe, Wing, Lh,[1550], 6-175
 Label, Stripe, Wing, Rh,[1550], 6-175
 Label, Stripe, 6-9
 Label, Switch, Squeegee Lift, 6-129
 Label, TENNANT, 6-9

CROSS REFERENCE

Label, Throttle and Solution Control, 8-3
Label, Throttle and Solution, 6-9
Label, Tire Pressure, 6-9
Label, Warning, Danger, Pinch Point, 6-175
Label, Warning, Use Scrubber, 6-21
Label, Wing, L.H., 6-9
Label, Wing, R.H., 6-9
Lamp Assembly, Flashing, Amber, 9-4
Lamp Assembly, Flashing, Blue, 9-4
Lamp Assembly, Flashing, 9-4
Lamp Assembly, Revolving, Amber, 9-6
Lamp Assembly, Revolving, Blue, 9-6
Lamp Assembly, Revolving, 9-6
Lamp Assy, Indicator, Red, 14Vdc, 6-129, 8-32, 8-33, 9-8
Lamp, Flashing, 9-4
Latch Assembly, LPG Tank, 7-3
Latch Assy, Mtg, Tank, Lpg, W/Nut, 7-7
Latch, Cam Lock Band, 6-21, 6-23
Latch, Door, 6-8, 6-21, 6-23
Latch, Hopper, 6-18
Latch, 7-5, 9-14
Leak-Off Pipe, 15-17
Leg, Front, L.H., 9-7
Leg, Front, R.H., 9-7
Leg, Rear, L.H., 9-7
Leg, Rear, R.H., 9-7
Lens, Amber, 9-5
Lens, Blue, 9-5
Lens, Lamp, Amber, 9-4, 9-6
Lens, Lamp, Blue, 9-4, 9-6
Lens, Lamp, Red, 9-4, 9-6
Lens, Red, 9-5
Lever and Shaft Assembly, Governor, Gasoline, 11-11
Lever and Shaft Assembly, Governor, LPG, 11-11
Lever Assembly, Solution Control, 6-25
Lever, Parking, 6-42
Lever, Pump, 6-41, 8-39
Lever, Throttle, 6-44
Lever, 6-17, 15-9, 15-15, 15-25
Lift, Scrubber Head, 6-17
Lifter, 12-3
Light Kit, Hd-TI/550, 9-3
Light Assembly, Revolving Amber, 9-5
Light Assembly, Revolving Blue, 9-5
Light Assembly, Revolving Red, 9-5
Light Kit, 1550, 9-3
Light Kit, Flashing, 9-4
Light Kit, Revolving, 9-6
Light, Indicator, 14vdc Red, 6-131, 6-132, 7-23, 8-65
Light, Panel, 9-3
Light, Panl, 14vdc, Red, 0.6d, 6-131, 7-23, 8-65
Light, Warning, Check Engine, Amb, 14 Vdc, 6-131, 7-23
Link, .19 1.0w 09.2l 1/0.3h 1/0.3s, 6-13
Link, Brush Lift, 6-27, 6-31
Link, Control, 6-39
Link, Direct Control, 6-41, 8-39

Link, Directional Control, 6-39, 6-41, 8-39
Link, Engine Cover Support, 6-9
Link, Feedback, 10-20
Link, Hook, 6-147, 6-149, 8-45
Link, Rear Drag, 6-173
Link, 6-173, 15-15
Linkage Kit, Handle, 10-27
Lip, Hopper, 6-18
Locator, 9-14
Lock, Knob Adjusting, 6-31
Lock, Knob, Adjusting, 6-27
Lock, Valve Spring Retainer, 11-5, 13-7, 14-7
Lockwasher, 10-7, 10-11
Long Block Assembly, S, Includes: R Short Block Assembly Plus - Head, Guides, Valves and Associated Parts, Rocker Arm Shaft Assembly, Pushrods, Head Cover, Gear Cover, Oil Pan, Oil Filler Cap, and Gasket Set, 11-3
Lug, 9-14

M

Magnet, 11-18
Manifold, Inlet [Cat 08], 17-19
Manifold, Exhaust [2007], 6-61, 7-17
Manifold, Exhaust [Cat 08], 17-19
Manifold, Exhaust, 6-57, 6-59, 7-9, 7-11, 7-14, 11-13, 13-14, 14-14, 16-21
Manifold, Gas, Relief, Valve, 6-91
Manifold, Hyd, Collector, 6-157
Manifold, Inlet, 16-21
Manifold, Intake [2007], 6-61, 7-17
Manifold, Intake, 6-57, 6-59, 7-9, 7-11, 7-14, 11-13, 13-14, 14-14, 15-26
Manifold, Pump, Gear [En], 10-19
Manual Pkg, 1550, 9-20
Manual, Eng, Cd-Rom [Tier Ii, Gm3.0l], 9-20
Manual, Engine, Continental, TM27-D, 9-20
Manual, Service, [Caterpillar 3044c], 9-20
Manual, Service, Eng, [Gm 3.0l], 9-20
Manual, Service, Perkins 700 Series, 9-20
Mat, Floor, 6-9
Meter, Hour, 6-129
Mirror Kit, Rear View, 9-17
Mirror, Rear View, 9-17
Module, Ecu, Gas [GM 3.0l], 6-59
Module, Ecu, Gas [Gm3.0l 2007], 6-61
Module, Ecu, Lpg [GM 3.0l], 7-13
Module, Ecu, Lpg [Gm3.0l 2007], 7-16
Module, 11-18, 12-5
Molding, Rigid, 17.75 in (450 mm) L, 6-9
Molding, Rigid, 3.0 in (76 mm), 6-9
Molding, Rigid, 6-9, 6-167, 7-3
Motor, Gear, 10-3
Motor, Hyd Gear Ex 0.13 L 3000, 10-32
Motor, Hyd Gear, 10-23
Motor, Hyd, Gear, Ex 0.13 L 3000 (See Breakdowns), 6-163

Motor, Hyd, Gear, [Ex] 0.32 R 3000 (See Breakdowns), 6-75
Motor, Hyd, Gear, [Ex] 0.32 R 3000, 10-33
Motor, Hydraulic (Replaced by 61489) (See Breakdowns), 6-27, 6-31
Motor, Hydraulic (See Breakdowns) (Replaced by 378710), 6-144
Motor, Hydraulic (See Breakdowns), 6-27, 6-31, 6-144
Motor, Hydraulic, 10-21, 10-24
Mount, Band, Fltr, 6.79id, 8-31
Mount, Cable Tie, 6-167
Mount, Caster, 6-173
Mount, Eng, Rear, Lh, 6-49
Mount, Eng, Rear, Rh, 6-49
Mount, Engine, Front, Left, 6-47
Mount, Engine, Front, Right, 6-47
Mount, Engine, R.H., 8-3
Mount, Engine, Rear, Left, 6-47
Mount, Engine, Rear, Right, 6-47
Mount, Fan, 6-161
Mount, Filter, Remote, 6-70
Mount, Hsng, Alternator, 8-22
Mount, Left Front, 8-5
Mount, Left Rear, 8-5
Mount, LPG Tank, 9-14
Mount, Nozzle, 16-23
Mount, Right Front, 8-5
Mount, Right Rear, 8-5
Mount, Squeegee, 9-13
Mount, Strap, 7-3
Mount, Wand Hose, L.H., 9-13
Mount, Wand Hose, R.H., 9-13
Muffler Assembly, 6-161, 8-67
Muffler, Catalytic [Gm 1.6/3.0], 6-67
Muffler, Catalytic [Gm 3.0l 2007], 6-69
Muffler, Exhaust, 6-65, 8-13, 8-15
Muffler, Spark Arresting, 9-17
Muffler, 6-63

N

Nozzle and Tip Assembly, 13-5, 14-5
Nozzle Assy, 16-23
Nozzle, Hopper, 6-18
Nozzle, Injection [Cat 08], 17-21
Nozzle, Suction, 6-18
Nozzle, 6-25, 9-13, 12-11
Nut [Cat 08], 17-21
Nut, .38-24, 8-5
Nut, .44-20, 8-5
Nut, Adj, Mtg, Tank, Lpg, 7-7
Nut, Adjustable, 7-3
Nut, Adjustment, 6-42
Nut, Conn Rod, 12-7
Nut, Flanged, .38-24, 6-51
Nut, Flng [Cat 08], 17-18, 17-19, 17-21
Nut, Flng, M8, 7-17
Nut, Hex, .31-18, 8-34
Nut, Hex, Flexlock, .38-16, 6-67, 6-69
Nut, Hex, Flng, .25-20, 6-11, 6-13, 6-41, 6-75, 8-21, 8-27

Nut, Hex, Flng, .31-18, 6-11, 6-67, 6-73, 6-89, 6-91, 7-7, 8-19, 8-25
 Nut, Hex, Flng, .38-16, 6-11, 6-61, 6-73, 6-149, 6-161, 7-17, 8-19, 8-25, 8-45, 8-67
 Nut, Hex, Flng, .50-13, 6-11, 6-73, 8-25
 Nut, Hex, Flng, .M08 X 1.25, 7-5
 Nut, Hex, Flng, M08 X 1.25, 6-47
 Nut, Hex, Flng, M8 X 1.25, 6-49, 6-53, 6-69
 Nut, Hex, Jam, M20 X 1.5, 6-33
 Nut, Hex, Lock, .25-20, NI, Ss, 6-11
 Nut, Hex, Lock, .25-20, NI, 6-131, 6-149, 7-23, 8-21, 8-45, 8-65
 Nut, Hex, Lock, .31-18, NI, Ss, 6-70, 8-11, 16-15
 Nut, Hex, Lock, .31-18, NI, 6-13, 6-55, 6-65, 6-67, 6-69, 6-70, 6-83, 6-157, 7-21, 8-11, 8-13, 8-15, 8-31
 Nut, Hex, Lock, .38-16, NI, Ss, 6-27
 Nut, Hex, Lock, .38-16, NI, 6-49, 6-53, 6-55, 6-163
 Nut, Hex, Lock, .50-13, NI, 6-49, 6-75, 8-27
 Nut, Hex, Lock, #10-24, NI, 6-13, 6-131, 7-23, 8-65
 Nut, Hex, Lock, M06 X 1.0, NI, 6-73, 8-25
 Nut, Hex, Lock, M6 X 1.0, NI, 6-75, 8-9
 Nut, Hex, Lock, M6 X 1.00, NI, 6-91
 Nut, Hex, Lock, M8 X 1.25, NI, 6-75
 Nut, Hex, M8 X 1.25, 16-23
 Nut, Hex, Std, .25-20, 6-61, 7-17
 Nut, Hex, Std, .38-16, Ss, 6-21
 Nut, Hex, Std, .38-16, 6-47, 6-65, 6-67, 6-69
 Nut, Hex, Std, #06-32, 6-13
 Nut, Hex, Std, #08-32, 6-131, 6-132, 7-23, 8-65
 Nut, Hex, Std, #10-24, 6-47, 6-49
 Nut, Hex, Std, M05 X 0.8, 6-47
 Nut, Hex, Std, M06 X 1.0, 6-51
 Nut, Hex, Std, M4 X 0.7, 8, 6-89, 6-91
 Nut, Hex, Std, M5 X 0.8, 8, 6-49, 6-89, 6-91
 Nut, Hex, Stover, M8 X 1.25, 8-15
 Nut, Jam, 10-7, 10-11
 Nut, Lock, 6-165
 Nut, Locking, 6-169, 6-171
 Nut, Low Crown, .50-20, 6-163
 Nut, Low Crown, 6-161, 8-67
 Nut, M10-1.50, 8-5, 8-22
 Nut, M10, 8-3
 Nut, Nex, Thin, 6-39, 6-41, 8-39
 Nut, Nylon, 6-17, 6-165
 Nut, Slotted Hex, 6-165
 Nut, Slotted, 6-35, 10-21, 10-24
 Nut, Solenoid, 10-27, 10-34, 10-35
 Nut, Stainless Steel, 6-169
 Nut, Tube Assembly, 14-5
 Nut, Union, 15-17
 Nut, Water Trap, 6-87, 8-17
 Nut, Wheel, 6-34
 Nut, Wing, 6-78, 6-79, 6-92, 6-169, 8-35

Nut, 6-17, 6-32, 6-57, 6-59, 6-172, 7-5, 7-9, 7-11, 7-14, 8-19, 8-37, 10-7, 10-11, 10-23, 11-7, 12-3, 12-9, 13-8, 14-8, 15-5, 15-9, 15-11, 15-12, 15-15, 15-17, 15-18, 15-21, 15-23, 15-25, 16-5, 16-12, 16-15, 16-19, 16-23, 17-5, 17-12, 17-15, 17-21

O

O-Ring, Injection Pump, 14-5
 O-Ring, 6-165, 11-5, 11-10, 13-5, 13-7, 13-11, 14-7, 14-11, 15-11, 15-13, 15-15, 15-17, 15-21, 15-25, 15-28, 15-29
 Oil Pan Assembly, 11-3
 Oil Pan, 12-9
 Oil Pump, 15-13
 Olive .36Od .25Id, 15-17
 Olive, Rubber, 6-87, 8-17, 8-19
 Olive, 15-17, 15-18, 15-21
 Orifice, Valve, 10-7, 10-11
 Outlet, 12-3

P

P.c.board, Level Sensing-compl, 6-131, 7-23, 8-65
 Pad, Brake, 6-43
 Pad, Non-skid, 6-9
 Paint, Airdry, Blk, 12oz, 6-5
 Paint, Airdry, Gray, 12oz [Enamel], 6-5
 Paint, Airdry, Iron Gray, 12oz [Pwdr Coat], 6-5
 Paint, Airdry, Off-White, 12oz, 6-5
 Paint, Airdry, Teal, 12oz, Solid, 6-5
 Pan Assembly, Oil, 13-3, 14-3
 Pan Kit, Oil, Replmt [550d/1550d], 15-21
 Pan Wldt, Floor, 6-11
 Pan, Floor, 6-8
 Pan, Oil, W/ Gasket, 16-15, 17-15
 Panel Wldt, Cntrl (Gas/Lpg), 6-11
 Panel Wldt, Cntrl, Dsl [550], 6-11
 Panel Wldt, Console, Instmt [550], 6-131, 7-23, 8-65
 Panel Wldt, Dash Board, 6-8
 Panel Wldt, Eng, W / Label, 6-11
 Panel, Access, Side, 6-11
 Panel, Dash, 6-8
 Panel, Eng, W / Label, 6-11
 Panel, Front, 6-132
 Panel, Laminar Flow Housing, 6-171
 Panel, Side Kick, 6-8
 Pedal, Brake, 6-43
 Pedal, Foot Speed, 6-39, 6-41, 8-39
 Performance Package, 400 Hour, Diesel, Servo, 6-3
 Performance Package, 400 Hour, Diesel, 6-3
 Performance Package, TM27, 400 Hour, Gas and LPG, Servo, 6-3

Performance Package, TM27, 400 Hour, Gas and LPG, 6-3
 Pin, Articulating Locking, 6-165
 Pin, Clevis, 0.25 D X 0.75l, 6-149, 8-9
 Pin, Clevis, 0.50 D X 2.50l, 6-17
 Pin, Clevis, 6-17, 6-18, 6-19, 6-27, 6-31, 6-42, 6-43, 6-147, 6-173, 8-2, 8-45
 Pin, Cotter, .062 X 0.75, 8-9
 Pin, Cotter, .094 X 0.75, 8-9
 Pin, Cotter, .375 X 3.00, Stl, 6-17
 Pin, Cotter, 6-37, 6-165, 6-173, 11-7, 13-8, 14-8
 Pin, Door Locking, 6-21, 6-23
 Pin, Dowel [Cat 08], 17-3
 Pin, Dowel, Gear Cover to Crankcase, 13-3, 14-3
 Pin, Dowel, 11-3
 Pin, Groove, 11-11
 Pin, Hair, 6-19
 Pin, Headed, 10-20
 Pin, Injection Pump, 14-5
 Pin, Piston, 11-9, 13-10, 14-10
 Pin, Pivot, 6-44
 Pin, Rear Support Top, 11-7, 13-8
 Pin, Retainer, 7-13
 Pin, Roll, 6-21, 6-23, 6-28, 6-29, 6-39, 6-41, 6-43, 6-44, 6-45, 6-173, 8-39
 Pin, Spring, 16-3, 17-3
 Pin, 7-5, 7-7, 10-25, 10-26, 12-5, 12-7, 12-9, 12-11, 13-5, 15-9, 15-14, 15-15, 16-3, 16-5, 17-3, 17-5
 Pipe, Air Cleaner, 6-81, 8-29
 Pipe, Breather [Cat 08], 17-22
 Pipe, Breather, 16-25, 17-22
 Pipe, Exhaust, 8-3
 Pipe, Fuel, 15-17
 Pipe, Oil, 15-21
 Pipe, Tail, 6-63
 Pipe, 16-25, 17-22
 Piston [+0.25mm], 16-5, 17-5
 Piston [+0.50mm], 16-5, 17-5
 Piston Assembly, 0.50 mm Oversize, 11-9, 13-10, 14-10
 Piston Assembly, 0.75 mm Oversize, 11-9, 13-10, 14-10
 Piston Assembly, 1.00 mm Oversize, 11-9, 13-10, 14-10
 Piston Assembly, Standard, 11-9, 13-10, 14-10
 Piston Block Assembly, 10-4
 Piston Kit, 15-5
 Piston, .020" O.S., 12-7
 Piston, Hi-limit, 12-7
 Piston, Servo, 10-7, 10-11
 Piston, STD, 12-7
 Piston, Std, 16-5, 17-5
 Pivot, Adjuster, 6-172
 Pivot, Door Hinge, 6-171
 Pivot, Headlock, 6-17
 Pivot, Shaft, 6-165
 Pivot, Upper Door Hinge, 6-169
 Plate [Cat 08], 17-11
 Plate Kit, 12-12

CROSS REFERENCE

- Plate Wldt, Angle, 8-9
Plate, Adapter, Pump, 11-19
Plate, Adapter, 10-15, 10-17
Plate, Adaptor, Pump, Hyd [En], 10-19
Plate, Adj, 16-26, 17-23
Plate, Back [Cat 08], 17-11
Plate, Back, 10-15, 10-17, 10-19
Plate, Brake Mounting, 1550, 6-37
Plate, Bumper, 6-159
Plate, Cam, 10-4
Plate, Camshaft Thrust, 11-7, 13-8, 14-8
Plate, Cover, 10-7, 10-11
Plate, Door, 6-169
Plate, Drive, 6-47, 6-49
Plate, Eng, 6-11, 6-67, 6-69
Plate, Exhaust Hanger, 6-67
Plate, Exhaust, Vac Fan, 6-163
Plate, Front, Pump, Gear [En], 10-19
Plate, Front, 10-15, 10-17
Plate, Hanger, Exhaust [550/1550 07], 6-69
Plate, Hsng, 6-47
Plate, Injector Mtg, W/ Screw, 10-36, 10-37
Plate, Lift, Front, 16-7, 17-7
Plate, Lift, Rear, 16-7, 17-7
Plate, Lower Door, 6-171
Plate, Motor Mounting, 6-37, 9-11
Plate, Mounting, 6-17, 9-6
Plate, Mtg, W/ Screw, [Ecu], Gas, 10-37
Plate, Mtg, W/ Screw, [Ecu], Lpg, 10-36
Plate, Pivot, 6-172
Plate, Pump Mounting, 6-45, 6-167
Plate, Rear Mounting, 8-5
Plate, Seat Mount, 6-15
Plate, Shield, Heat, 6-53, 6-163
Plate, Side, 6-161, 8-67
Plate, Throttle, 6-44
Plate, Thrust [+0.15mm], 16-5, 17-5
Plate, Thrust [+0.30mm], 16-5, 17-5
Plate, Thrust, Std, 16-5, 17-5
Plate, Thrust, 16-9, 17-9
Plate, Upper Door, 6-171
Plate, Valve Mounting, 6-25
Plate, Valve, 10-23
Plate, Wear, 10-26
Plate, 6-17, 6-32, 6-77, 8-32, 8-33, 8-37, 15-3, 15-9, 15-11, 15-15, 15-23, 15-27, 16-11, 16-26, 16-27, 17-23, 17-24
Plug (obsolete), 11-15
Plug [Cat 08], 17-3
Plug #4, 10-23
Plug #8, 10-7, 10-11
Plug Assembly, 10-23
Plug Button, 0.50 in (13 mm), 6-129
Plug Button, 1.25 in (32 mm), 6-129
Plug Button, 6-129
Plug S/A, 10-7, 10-11
Plug, Block, Eng, 12-7
Plug, Brush Drive, 6-27, 6-31
Plug, Brush Idler, 6-28, 6-29
Plug, Clip [Cat 08], 17-3
Plug, Coolant, Eng, 16-3, 17-3
Plug, Core, Coolant, 12-7
Plug, Core, 13-7, 14-7
Plug, Crankcase, 11-3
Plug, Cup, 11-3, 11-5, 13-3, 13-7, 14-3, 14-7
Plug, Drain, 11-3, 13-3, 14-3
Plug, Expandable, 1.5D, 6-169
Plug, Expansion, 11-3, 13-3, 14-3
Plug, Glow, 13-5, 14-5
Plug, Hole, Injector, 7-17
Plug, Hose, 14-5
Plug, Main, Rear, 12-7
Plug, O-ring, 10-15, 10-17
Plug, Oil, .38-18 X .42, 12-7
Plug, Plastic, 6-27, 6-28, 6-29, 6-31
Plug, Sealing, 8-17
Plug, Sensor Hole, 6-169
Plug, Shaft Ends, 11-7, 13-8, 14-8
Plug,#12 O-Ring Ph, 10-7, 10-11
Plug, 6-43, 10-9, 10-13, 10-15, 10-17, 10-20, 11-3, 11-16, 12-3, 12-9, 13-3, 13-5, 13-16, 14-3, 14-16, 15-3, 15-7, 15-9, 15-11, 15-23, 15-25, 16-3, 16-12, 16-15, 16-17, 17-3, 17-7, 17-12, 17-17
Plugbutton, 2.0 in (50 mm), 6-129
Plugbutton, 6-71
Plunger, 15-13
Pointer, Engine Timing, 11-11, 13-12, 14-12
Pole Piece, 12-5
Poppet, 10-9, 10-13
Pouch, Operator's Manual 7.5 in (190mm), 6-15
Probe, Liquid Level, 6-169, 6-171
Pulley Assy, Idler, 6-77
Pulley, Alternator, 6-45, 8-3
Pulley, Crank, 6-77, 15-5
Pulley, Crankshaft, 11-8, 13-9, 14-9, 16-5
Pulley, Cshaft [Cat 08], 17-5
Pulley, Fan, 6-51, 6-53, 6-55, 6-77
Pulley, Idler, 6-77
Pulley, Water Pump, 11-14
Pulley, 13-15, 14-15, 15-25, 16-17, 17-17
Pump and Gasket, Fuel, 11-19
Pump Assembly, Solution, 10-2
Pump Kit, Charge, 10-4
Pump Replacement Kit, 11-19
Pump, Fuel Injection (Replaced by none), 13-5
Pump, Fuel Injection, 14-5
Pump, Fuel, Gas, 6-87
Pump, Fuel, Hi-Press [Gm 1.6l/3.0l], 6-89, 6-91
Pump, Fuel, 8-19, 8-21, 11-19, 13-5, 14-5
Pump, Hyd Piston V 2.48, 10-7, 10-9, 10-11, 10-13
Pump, Hyd, Gear [Ex2] 1.69 [R] 2500 (Replaced by None), 10-17
Pump, Hyd, Gear [Ex2] 1.69 [R] 2800, 10-15
Pump, Hyd, Gear, [Ex3] 1.69 [R] 3000 (See Breakdowns), 6-152
Pump, Hyd, Gear, [Ex3] 1.69 [R] 3000, 10-19
Pump, Hyd, Piston [V] 2.48 [R] 4500 (See Breakdowns), 6-152
Pump, Hydraulic (Replaced by None), 10-4
Pump, Hydraulic, 10-5
Pump, Hydraulic (See Breakdowns) (Replaced by 373245), 6-151, 8-47
Pump, Hydraulic (See Breakdowns) (Replaced by 397689), 6-150
Pump, Hydraulic (See Breakdowns), 6-150, 6-151, 8-47
Pump, Injection, Fuel [Cat 08], 17-21
Pump, Injection, Fuel, 16-23
Pump, Metering (See Breakdowns), 6-167
Pump, Metering Solution, 10-3
Pump, Oil (For Engine 16850), 13-11
Pump, Oil (For Engine 34910), 13-11
Pump, Oil, 11-10, 14-11, 16-15, 17-15
Pump, Solution (See Breakdowns), 6-167
Pump, Water [Cont], 13-15
Pump, Water, 11-14, 13-15, 14-15, 16-17, 17-17
Pump, 12-9
Push Rod, 15-9

R

- Race, Bearing, 10-7, 10-11, 10-25, 10-26
Race, Thrust, 10-21, 10-24
Radiator , 8-25
Radiator Assy, 6-73
Radiator, 6-71, 6-75, 8-23, 8-27
Rear Squeegee Assembly, 6-172
Regulator [Ep], 7-17
Regulator Assy, Primary, W/ Ftg, Lpg, 7-9, 7-11
Regulator Assy, Secondary, W/ Ftg, Lpg, 7-9, 7-11
Regulator, Temp, Coolant, 16-17, 17-17
Regulator, Voltage, 6-45, 8-3
Reinforcement, 12-3
Relay, 12vdc, 20a, Spdt, 6-127
Relay, 12vdc, 40a, Spdt, [Potter], 6-131, 7-23, 8-33, 8-65
Relay, 12vdc, 40a, Spdt, 6-127
Relay, 12vdc, 100a, Spdt N/O [Camdec], 8-21
Relay, Horn, 6-129
Relay, Power, 8-32
Relay, 6-25
Relief Valve Sa, 10-9, 10-13
Relief Valve, 10-28
Repair Info,Pmp, 10-9, 10-13
Repair Info,Scu, 10-25, 10-26
Repair Kit, Brake Pad, 6-42
Repair Kit, Brake, 6-43
Repair Kit, Fan Assembly, 6-161, 8-67

Repair Kit, Fuel Filter Lock, 7-3
 Repair Kit, Vaporizer, 7-3
 Repair Kit, Water Pump, 11-14, 13-15, 14-15
 Replacement Kit, Bellows, 10-3
 Replacement Kit, Brush, 10-2
 Replacement Kit, Oil Pressure Gauge, 6-129
 Replacement Kit, Pump Body, 10-2
 Replacement Kit, Pump Head, 10-2
 Reservoir Assembly, Hydraulic, 6-145, 8-46
 Reservoir Assy, 18.3 Gal, 6-146
 Resistor, 6-132
 Restistor (Replaced by 79092), 11-19
 Restrictor, Jet, Coolant, 7-13
 Retainer, Blade, 9-18
 Retainer, Brush, 6-21, 6-23
 Retainer, Chk, 10-25, 10-26
 Retainer, Deflector Skirt, 6-18
 Retainer, Frt, 10-23
 Retainer, Hopper Lip, 6-18
 Retainer, Hose, 6-169
 Retainer, Squeegee, 6-19, 9-9
 Retainer, Valve Spring, 11-5, 13-7, 14-7
 Retainer, 12-5, 16-8, 16-23, 17-8, 17-21
 Rim, 16.5 X 6.75 5.5bc/6bolt, 6-34
 Ring Gear (For Engine 16850), 13-13
 Ring Gear (For Engine 34910) (Replaced by None), 13-13
 Ring Gear, 11-12, 14-13
 Ring Kit, .030" O.S., 12-7
 Ring Kit, Re-Ring, 0.50 mm Oversize, 11-9, 13-10, 14-10
 Ring Kit, Re-Ring, 0.75 mm Oversize, 11-9, 13-10, 14-10
 Ring Kit, Re-Ring, 1.00 mm Oversize, 11-9, 13-10, 14-10
 Ring Kit, Re-Ring, Standard, 11-9, 13-10, 14-10
 Ring Kit, Std, 12-7
 Ring Set, Piston [+0.25mm], 16-5, 17-5
 Ring Set, Piston [+0.50mm], 16-5, 17-5
 Ring Set, Piston, Std, 16-5, 17-5
 Ring, Retainer, 10-25, 10-26
 Ring, Retaining, Piston Pin, 13-10, 14-10
 Ring, Retaining, 6-28, 6-29, 6-77, 6-161, 8-67, 10-4, 10-9, 10-13, 10-20, 11-9
 Ring, Snap, 16-8, 17-5
 Ring, 10-23, 12-12, 16-5
 Rivet, Pop, 6-15
 Rivet, Timing Pointer to Gear Cover, 13-12, 14-12
 Rivet, 11-11
 Rivnut, 6-171
 Rocker Shaft, 15-9
 Rockershaft Assy, 15-9
 Rockershaft, 15-5
 Rod and Link, 6-147, 8-45
 Rod Assembly, Connecting, 11-9, 13-10, 14-10
 Rod Assy, Connecting, 16-5, 17-5

Rod End, 6-41, 8-39
 Rod, Adjustment, 6-42
 Rod, Brake, Push, 6-43
 Rod, Control, 11-16
 Rod, Door Latch, 6-169
 Rod, End, 6-39
 Rod, Hanger, 6-67, 6-69
 Rod, Latch, 6-171
 Rod, Oil Gauge, 11-3, 13-3, 14-3
 Rod, Push [Cat 08], 17-9
 Rod, Push, 11-7, 13-8, 14-8, 16-9
 Rod, Shock, 6-39
 Rod, Threaded, 6-161, 8-67
 Rod, Throttle, 8-2, 8-3
 Rod, Trip, 6-173
 Rod, Vertical Throttle, 8-3
 Rod, 6-173, 12-3
 Roll Pin, 10-9, 10-13
 Roll, Pin, 6-39
 Rotating Kit, 10-7, 10-11
 Rotator, 12-3
 Roto-Coil, Exhaust, 11-5
 Rotor, 6-3, 11-18, 12-5

S

Screen, Debris, 6-169
 Screen, w/Suction Pipe, 12-9
 Screen, w/Tube, 12-9
 Screw (Replaced by None), 15-5
 Screw Set, 10-25, 10-26
 Screw, .38-16 X 1.00, 6-61, 7-17
 Screw, .38-16 X 4.0, 6-77
 Screw, .38-24 X 4.0, 6-51
 Screw, Bleeder, 6-43
 Screw, Cap, Motor, Hyd [En], 10-19
 Screw, Cap, 10-7, 10-9, 10-11, 10-13, 10-15, 10-17, 10-23
 Screw, Crankshaft, 11-8
 Screw, Flat, 6-167
 Screw, Flt, .31-18 X 0.50, Al, 6-75, 8-27
 Screw, Flt, .31-18 X 0.75, Al, 6-73, 8-25
 Screw, Flt, .38-16 X 1.50, Al, 6-163
 Screw, Flt, .38-16 X 3.25, 6-77
 Screw, Flt, Soc, .38-16 X 1.50, Al, 6-27
 Screw, Governor Spring, 11-16
 Screw, Hex, .25-20 X 0.50, 5, 6-47, 6-49, 6-131, 7-23, 8-65
 Screw, Hex, .25-20 X 0.50, Fmg, 6-11
 Screw, Hex, .25-20 X 0.50, G5, 6-61, 7-17
 Screw, Hex, .25-20 X 0.62, 5, 6-75, 6-131, 7-23, 8-21, 8-27, 8-65
 Screw, Hex, .25-20 X 0.62, Fmg, 6-155
 Screw, Hex, .25-20 X 0.75, 5, 6-11, 6-13
 Screw, Hex, .25-20 X 0.75, Fmg, 6-13
 Screw, Hex, .25-20 X 0.75, G5, 6-61, 7-17
 Screw, Hex, .25-20 X 0.75, Sems, 6-11, 6-13, 6-131, 7-23, 8-19, 8-65
 Screw, Hex, .25-20 X 1.00, 5, 6-75, 8-27
 Screw, Hex, .25-20 X 1.00, NI, 6-87
 Screw, Hex, .25-20 X 1.00, Sems, 8-19

Screw, Hex, .25-20 X 1.00, 6-41
 Screw, Hex, .25-20 X 1.25, G5, 6-61, 7-16
 Screw, Hex, .25-20 X 1.50, 5, 6-149, 8-45
 Screw, Hex, .31-18 X 0.50, 5, 6-75, 7-5, 7-7, 8-27
 Screw, Hex, .31-18 X 0.62, 5, 6-73, 6-75, 8-25, 8-27
 Screw, Hex, .31-18 X 0.75, 5, 6-11, 6-47, 6-49, 6-67, 6-83, 6-89, 6-91, 6-157, 6-163, 7-21, 8-31
 Screw, Hex, .31-18 X 0.75, Fmg, Pl, 6-75
 Screw, Hex, .31-18 X 0.75, Fmg, 6-67
 Screw, Hex, .31-18 X 0.75, G5, 6-69
 Screw, Hex, .31-18 X 0.75, Sems, 6-11, 6-149, 8-45
 Screw, Hex, .31-18 X 0.88, G5, 6-37
 Screw, Hex, .31-18 X 1.00, 5, 6-11, 6-13, 6-53, 6-83, 6-89, 6-91, 7-7, 7-21, 8-21, 8-31
 Screw, Hex, .31-18 X 1.25, 5, 6-11, 6-13, 6-70, 8-11
 Screw, Hex, .31-18 X 1.25, Ss, 6-70, 8-11, 16-15
 Screw, Hex, .31-18 X 1.50, 5, 6-65, 6-67, 8-13, 8-15
 Screw, Hex, .31-18 X 1.50, Fl, 6-55
 Screw, Hex, .31-18 X 1.50, G5, 6-69
 Screw, Hex, .31-18 X 1.75, 8-34
 Screw, Hex, .31-18 X 2.50, 5, 6-157
 Screw, Hex, .31-24 X 0.75, 5, 6-51, 6-53, 6-55
 Screw, Hex, .31-24 X 1.50, 6-77
 Screw, Hex, .38-16 X 0.62, 5, 6-11
 Screw, Hex, .38-16 X 0.75, 5, 6-51, 6-53, 6-55, 6-149, 6-155, 6-163, 8-45
 Screw, Hex, .38-16 X 0.75, Ss, 6-163
 Screw, Hex, .38-16 X 1.0, 6-47
 Screw, Hex, .38-16 X 1.00, 5, 6-11, 6-49, 6-53, 6-55
 Screw, Hex, .38-16 X 1.00, Ss, 6-21
 Screw, Hex, .38-16 X 1.25, NI, 6-41
 Screw, Hex, .38-16 X 1.25, 5, 6-11, 6-73, 6-77, 8-13, 8-19, 8-25
 Screw, Hex, .38-16 X 1.25, G5, 6-49
 Screw, Hex, .38-16 X 1.50, 5, 6-51, 6-67, 6-77
 Screw, Hex, .38-16 X 1.50, G5, 6-69
 Screw, Hex, .38-16 X 1.50, Ss, 6-163
 Screw, Hex, .38-16 X 2.00, G5, 6-55
 Screw, Hex, .38-16 X 2.25, 5, 6-53
 Screw, Hex, .38-16 X 2.25, G5, 6-49
 Screw, Hex, .38-16 X 4.00, 5, 6-53, 6-55
 Screw, Hex, .38-24 X 1.50, 5, 8-5
 Screw, Hex, .50-13 X 0.75, 5, 6-157
 Screw, Hex, .50-13 X 1.00, 5, 6-11
 Screw, Hex, .50-13 X 1.25, 5, 6-73, 8-25
 Screw, Hex, .50-13 X 1.50, 6-47
 Screw, Hex, .50-13 X 2.00, NI, 6-47, 6-49, 8-7
 Screw, Hex, .50-13 X 3.50, 5, 6-41
 Screw, Hex, .50-20 X 1.25, NI, 6-151, 6-152

CROSS REFERENCE

- Screw, Hex, .62-18 X 0.31, 6-49
Screw, Hex, .M08 X 1.25X 25, 5, 7-5
Screw, Hex, #10-24 X 0.50, Ss, 6-53, 6-55
Screw, Hex, M08 X 1.25 X 30, 8.8, 6-51, 8-22
Screw, Hex, M10 X 1.5 X 35, 8.8, 6-47
Screw, Hex, M10 X 1.5 X 50, 8.8, 8-22
Screw, Hex, M10 X 1.5 X 20, 8.8, 16-23
Screw, Hex, M10 X 1.5 X 25, 8.8, 16-12
Screw, Hex, M10 X 1.5 X 30, 8.8, 8-7, 16-12
Screw, Hex, M10 X 1.5 X 35, 8.8, 8-7
Screw, Hex, M10 X 1.5 X 45, 8.8, 16-11
Screw, Hex, M10-1.50 X 130, 5, 8-22
Screw, Hex, M10-1.50 X 90, 8.8, 8-22
Screw, Hex, M10, 6-45, 8-3
Screw, Hex, M12 X 1.75 X 35, 8.8, 8-7
Screw, Hex, M14-20 X 30, 10.9, 8-5
Screw, Hex, M14, 8-3
Screw, Hex, M6 X 1.0 X 16, 8.8, 8-9
Screw, Hex, M6 X 1.0 X 20, 8.8, 6-33, 6-75
Screw, Hex, M6 X 1.0 X 25, 8.8, 16-23
Screw, Hex, M6 X 1.0 X 45, 8.8, 6-61
Screw, Hex, M6 X 1.00 X 12, 8.8, 6-69
Screw, Hex, M6 X 1.00 X 50, 8.8, 6-91
Screw, Hex, M8 X 1.25 X 14mm, 16-17
Screw, Hex, M8 X 1.25 X 16, 8.8, 6-53, 8-15, 16-11, 16-13, 16-15, 16-23
Screw, Hex, M8 X 1.25 X 16, Ss, 6-163
Screw, Hex, M8 X 1.25 X 16mm, 16-9
Screw, Hex, M8 X 1.25 X 20, 8.8, 6-163, 8-21, 16-7, 16-15, 16-23, 16-26
Screw, Hex, M8 X 1.25 X 25, 8.8, 6-69, 6-75, 16-8, 16-15, 16-17, 16-19
Screw, Hex, M8 X 1.25 X 25mm, 16-25, 16-26
Screw, Hex, M8 X 1.25 X 30, 8.8, 6-69, 16-19
Screw, Hex, M8 X 1.25 X 40, 8.8, 16-21
Screw, Hex, M8 X 1.25 X 40mm, 16-7
Screw, Hex, M8 X 1.25 X 45, 8.8, 16-17
Screw, Hex, M8 X 1.25 X 45mm, 16-17
Screw, Hex, M8 X 1.25 X 80, 8.8, 16-17
Screw, Hex, M8 X 1.25 X 90, 8.8, 16-21
Screw, Hex, M8, 6-45, 6-71, 7-3, 8-3
Screw, Hex, 6-9, 6-17, 6-21, 6-23, 6-165, 16-7, 16-11, 16-21, 16-23, 16-26, 17-7, 17-11, 17-21, 17-23
Screw, Horn Button, Wood, 6-32, 8-37
Screw, M12-1.75 X 30, 8-5
Screw, M6 X 10mm, 6-61, 7-17
Screw, M6-1.0 X 85, 8-25
Screw, M8-1.25 X 110, 6-51
Screw, Pan, .25-20 X 0.75, 2, 6-131, 7-23, 8-65
Screw, Pan, #06-32 X 0.50, 1, 6-13
Screw, Pan, #08-32 X 0.62, 1, 6-131, 7-23, 8-65
Screw, Pan, #10-24 X 0.38, 1, 6-131, 7-23, 8-65
Screw, Pan, #10-24 X 0.62, 1, 6-13
Screw, Pan, M06 X 1.0 X 20, 4.8, 6-73, 8-25
Screw, Set, 10-20
Screw, Soc, .31-18 X 1.0, 6-77
Screw, Soc, .38-16 X 1.00, Al, 6-61, 7-17
Screw, Soc, .38-16 X 1.25, Al, 6-47, 6-49
Screw, Soc, .38-16 X 2.25, G5, 6-49
Screw, Soc, .38-16 X 3.0, 6-47
Screw, Soc, .38-24 X 1.00, 6-77
Screw, Soc, .44-20 X 1.00, 5, 8-5
Screw, Soc, .44-20 X 2.00, 8-5
Screw, Soc, #12-24 X 1.50, 7-17
Screw, Soc, M06 X 1.0 X 16, 12.9, 8-5
Screw, Soc, M10 X 1.5 X 25, 12.9, 8-5, 8-7
Screw, Soc, M6 X 1.00 X 70, 7-17
Screw, Soc, M8 X 1.25 X 60, 12.9, 8-27
Screw, Socket, M10, 6-45
Screw, Socket, Metric, 8-3
Screw, Socket, 6-28, 6-29, 6-32, 8-37
Screw, Thumb, 6-172
Screw, 11-3, 11-5, 11-7, 12-9, 13-3, 13-7, 13-8, 13-9, 14-3, 14-7, 14-8, 14-9, 15-3, 15-5, 15-7, 15-9, 15-11, 15-12, 15-13, 15-15, 15-17, 15-19, 15-21, 15-23, 15-25, 15-26, 15-27, 16-3, 16-15, 17-3, 17-15
Seal [Cat 08], 17-3
Seal Kit (Replaced by None), 10-4
Seal Kit, Cartridge, 10-34, 10-35
Seal Kit, Pump, 10-7, 10-9, 10-11, 10-13
Seal Kit, Rear, 10-23
Seal Kit, Relief Valve, 10-28
Seal Kit, Scu, 10-26
Seal Kit, Shaft, 10-23
Seal Kit, Cntrl, 10-20
Seal Kit, Stg, 10-25
Seal Kit, 10-5, 10-21, 10-24, 10-27, 10-28, 10-30, 10-31
Seal, Bulb, 90, 0.50d .06-.09grip 022.5l, 6-75, 8-27
Seal, Bulb, 90, 1.33 .06-.09grip 017.0l, 6-75, 8-27
Seal, Bulb, 90, 1.33 .06-.09grip 026.0l, 6-75, 8-27
Seal, Bulb, Str, 0.38th 0.75w 03.0l Adh, 6-13
Seal, Bulb, Str, 0.38th 0.75w 10.75l Adh, 6-13
Seal, Crank, Front, 16-11, 17-11
Seal, Dipstick, 16-3
Seal, Inner Wheel Bearing, 6-35
Seal, O-Ring, .069 X 03.06id, 6-152
Seal, O-Ring, 6-150, 6-151, 8-11, 8-47
Seal, Oil, Crankshaft (For Engine 16850), 13-12
Seal, Oil, Crankshaft (For Engine 34910), 13-12
Seal, Oil, Crankshaft, 14-12
Seal, Oil, 11-3, 11-11, 13-3, 14-3
Seal, Org [Cat 08], 17-15, 17-18
Seal, Org, .072 X 00.35id #04, 10-34, 10-35
Seal, Org, .139 X 03.109 Id, 6-70
Seal, Org, 7-13, 16-11, 16-13, 16-15, 16-19, 16-23, 17-11, 17-13, 17-15, 17-18, 17-21
Seal, Shaft Oil, 11-11
Seal, Shaft, 11-11
Seal, Suction Tube, 6-171
Seal, Ure, 0.50th, 1.50w X 05.0l, Slit, 8-9
Seal, Ure, 0.75 1.12w 19.0l Adh, 6-75, 8-27
Seal, Org, Lpg, Mixer [Gm 2007], 7-17
Seal, 12-11, 15-3, 15-7, 15-23, 16-3, 16-8, 16-12, 17-3, 17-12
Sealer (RTV 3.35 OZ Tube), 12-7
Sealer (RTV 5.0 OZ Tube), 12-7
Sealer, 12-3, 12-5
Seat, Chk Ball, 10-25, 10-26
Seat, Exhaust Valve, 11-5
Seat, 6-15, 15-11
Send-Unit, Fuel, 6-91
Send-unit, Fuel, 6-89, 8-21
Send-unit, Water, Temp, 04npt, 8-5, 8-7
Send-unit, Water, Temperature, .12npt, 6-47
Sending Unit, Fuel Tank, 6-85, 6-87, 8-17, 8-19
Sending Unit, Temperature, 6-45, 8-3
Sensor [T Map], 6-61, 7-17
Sensor, [Tmap], 6-59, 7-13
Sensor, Exhaust, Tailpipe, 6-69
Sensor, Magnet, 8-5
Sensor, Manifold Press, 10-36, 10-37
Sensor, Oxygen [Gm 1.6l/3.0l 2007], 6-69
Sensor, Oxygen, 6-67
Sensor, Speed, Timing Wheel [3.0l], 6-59, 7-13
Sensor, Temp, Coolant, 6-59, 6-61, 7-13
Sensor, Temp, Water, 7-9, 7-11
Sensor, Temp, 6-59, 6-61, 7-13, 7-17, 10-36, 10-37
Sensor, Water Temp, 6-57
Shaft [Cat 08], 17-11
Shaft Assembly, Brush, 6-27, 6-28, 6-29, 6-31
Shaft Assy, 16-8
Shaft S/A, 10-23
Shaft, Brake, 6-43
Shaft, Brush, 6-27, 6-31
Shaft, Control, 6-39, 6-41, 8-39
Shaft, Drive Sp, 10-7, 10-11
Shaft, Fan, 6-161, 8-67
Shaft, Idler, 16-3, 17-3
Shaft, Input, 10-20
Shaft, Output, 10-21, 10-24
Shaft, Pivot, 6-17
Shaft, Rocker Arm, 11-7, 13-8, 14-8
Shaft, Squeegee Lift, 6-173
Shaft, 10-4, 12-5, 15-3, 15-15
Sheave, [Poly-V], 12.6d, 8grv, 2.50b, 6-47, 8-5
Sheave, 8grv, 12.6d, 4.10b, 8-7
Sheave, Fan, 6-161, 8-67
Sheave, 6-45, 8-3

- Sheet, Cover, 6-169
- Shield, Bearing, 6-28, 6-29
- Shield, Dust, 6-49
- Shield, Heat [550/1550 07], 6-69
- Shield, Heat, Alternator [2007], 6-55
- Shield, Heat, Manifold, 6-61, 7-17
- Shield, Heat, 6-57, 6-67, 7-9, 7-11, 13-5, 14-5
- Shield, Starter, 6-45
- Shield, 12-3
- Shim, 0.003 in (0.07 mm), 6-161
- Shim, 0.003" (0.07 mm), 8-67
- Shim, 0.005 in (0.12 mm), 6-161
- Shim, 0.005" (0.12 mm), 8-67
- Shim, 0.010 in (0.25 mm), 6-161
- Shim, 0.010" (0.25 mm), 8-67
- Shim, 0.020 in (0.50 mm), 6-161
- Shim, 0.020" (0.50 mm), 8-67
- Shim, 0.060 in (1.52 mm), 6-161
- Shim, 0.060" (1.52 mm), 8-67
- Shim, 16 Ga., 6-37
- Shim, 20 Ga., 6-37
- Shim, Bearing Bracket, 0.06" (1.5 mm), 6-28
- Shim, Bearing Bracket, 0.12" (3 mm), 6-28
- Shim, Bracket, 0.06" (1.5 mm), 6-27
- Shim, Bracket, 0.12" (3 mm), 6-27
- Shim, Washer, 0.88d 0.51b .020, 6-163
- Shim, Washer, 0.88d 0.51b .060, 6-163
- Shim, 6-161, 6-165, 8-67, 10-15, 10-17, 15-15
- Shims, 10-9, 10-13
- Shock, Absorber, 6-39
- Short Block Assembly, R, Includes: Block, Tappets, Camshaft, Crankshaft, Main Bearings, Bearing Caps, Pistons, Piston Pins, Piston Rings, Connecting Rods, Rod Bearings, Thrust Plate, Cam Gear, Gear, Oil Pump, Oil Gauge Support, and Gasket Set, 14-3
- Short Block Assembly, R, Includes: Block, Tappets, Camshaft, Crankshaft, Main Bearings, Bearing Caps, Pistons, Piston Pins, Piston Rings, Connecting Rods, Rod Bearings, Thrustplate, Cam Gear, Gear, Oil Pump, Oil Gauge Support, and Gasket Set, 11-3
- Short Block Assembly, R, Includes: Block, Tappets, Camshaft, Crankshaft, Main Bearings, Bearing Caps, Pistons, Piston Pins, Piston Rings, Connecting Rods, Rod Bearings, Thrust Plate, Cam Gear, Gear, Oil Pump, Oil Gauge Support, and Gasket Set, 13-3
- Short Block Assembly, S, Includes: R ShortBlock Assembly Plus - Head, Guides, Valves and Associated Parts, Rocker Arm Shaft Assembly, Pushrods, Head Cover, Gear Cover, Oil Pan, Oil Filler Cap, and Gasket Set, 13-3, 14-3
- Short Block, 15-3
- Shroud Wldt, Fan, Dsl [550], W/Label, 8-27
- Shroud Wldt, Fan, Radiator, W/ Label, 6-75
- Shroud Wldt, Radiator / Hyd Cooler, 6-75, 8-27
- Shroud, Engine Compartment, L.H., 6-9
- Shroud, Engine Compartment, R.H., 6-9
- Shroud, Fan, 6-71
- Shroud, Front, 6-8
- Shroud, 6-11
- Skirt, Deflector, 6-18
- Skirt, 6-3
- Sleeve, Alternator, 6-51, 6-53, 6-55, 8-22
- Sleeve, Bearing, 6-172, 6-173
- Sleeve, Brake Lever, 6-42
- Sleeve, Hose, 6-139, 6-141, 8-43
- Sleeve, Nyl, #58 35.0l, 6-143
- Sleeve, Nyl, 37 25.0l, 6-143
- Sleeve, Nylon, 6-165
- Sleeve, Throttle [Bosch], Plstc, 7-13
- Sleeve, Tube Assembly, 14-5
- Sleeve, 6-15, 6-17, 6-18, 6-27, 6-32, 6-39, 6-45, 6-161, 6-173, 8-2, 8-3, 8-37, 8-67, 15-11
- Slide, L.H., 6-31
- Slide, R.H., 6-29
- Slider, 15-15
- Slinger, Oil (Replaced by None), 11-8, 13-9, 14-9
- Solenoid [Cat 08], 17-21
- Solenoid, Anti-Runon, 6-45
- Solenoid, Fuel Shut-Off, 13-5
- Solenoid, Lock Off, Lpg, 7-5
- Solenoid, Tubular, 1"Pull 36vdc, 6-47
- Solenoid, Valve, Hyd, 12vdc, 10-34, 10-35
- Spacer Plate, 10-25
- Spacer, 0.33b 0.50d 0.15l, Pl, 8-15
- Spacer, Brake Arm, 6-42
- Spacer, Brake, 6-42
- Spacer, Fan, 2.50, 8-25
- Spacer, Fan, 6-71, 6-77, 8-27
- Spacer, Isolator, 6-31
- Spacer, Seat Adjuster, 6-15
- Spacer, Sppt, Filter Lock Off, 7-13
- Spacer, Spring, 6-39
- Spacer, Starter, 8-5
- Spacer, Switch, 6-25
- Spacer, 6-39, 6-129, 6-131, 6-161, 7-23, 8-32, 8-33, 8-65, 8-67, 10-25, 10-26, 15-9, 15-17, 15-25
- Spark Plug Wires, 12-5
- Spark Plug, Gasoline, 11-18
- Spark Plug, LPG, 11-18
- Spark Plug, 6-3, 6-4, 12-3
- Spool, 10-15, 10-17
- Spring [Cat 08], 17-8
- Spring Kit, Scu, 10-25, 10-26
- Spring Set, Advance, 11-18
- Spring, Brake Cable, 6-42
- Spring, Cmpr, 18.3d, 2.0w, 16.5l Mw Zn, 8-9
- Spring, Cntr, 10-20
- Spring, Compression, 6-44
- Spring, Governor Bumper, 11-11
- Spring, Governor, 11-16
- Spring, Propel, Centering, 6-41, 8-39
- Spring, Pump Lever Centering, 6-39
- Spring, Rocker Arm Shaft, 11-7, 13-8, 14-8
- Spring, Rocker Shaft Ends (For Engine 16850), 13-8
- Spring, Tension, 6-161, 8-67
- Spring, Valve, 11-5, 13-7, 14-7, 16-8
- Spring, Retainer, 10-20
- Spring, 6-17, 6-18, 6-27, 6-31, 6-32, 6-39, 6-41, 6-173, 8-37, 8-39, 10-9, 10-13, 10-15, 10-17, 10-23, 12-3, 12-9, 15-7, 15-9, 15-13, 15-14, 15-15, 15-23, 16-8
- Squeegee Assembly, Left Side, 6-23
- Squeegee Assembly, Right Side, 6-21
- Squeegee Blades Kit, Rear, 6-3
- Squeegee Blades Kit, Side, 6-3
- Squeegee, Windrow, 6-19
- Squeegee, 9-9
- Starter (For Engine 16850), 13-13
- Starter (For Engine 34910) (Replaced by None), 13-13
- Starter, 12vdc [Gm], 6-49
- Starter, 6-47, 8-5, 11-12, 14-13, 16-12, 17-12
- Steer Control, Hyd #4 05.9 150, 10-26
- Steer Control, Hyd 3 6.2 1000, 10-25
- Steer-control, Hyd2, 06.1, 6-33
- Strainer, Fuel, 6-85, 6-87, 8-17, 8-19
- Strainer, Hyd, 25gpm 100mesh Psi, 6-146
- Strainer, Oil, 16-15, 17-15
- Strainer, Suction, 6-145, 8-46, 9-11
- Strap, Adjuster, 6-39
- Strap, Adjusting, Alternator, 11-16
- Strap, Alternator, 6-51, 13-17, 14-17
- Strap, 6-89, 6-91, 8-21
- Strip, Backup, 6-4, 6-21, 6-23, 9-18
- Strip, Cooler, Mtg, 6-73, 8-25
- Strip, Cover, 6-23
- Strip, Mounting, 6-71
- Strip, Mtg, Cooler, 6-75, 8-27
- Strip, Rear Backup, 6-3
- Strip, Rear, Backup, 6-173
- Strip, Spring, 6-173
- Strip, 6-25, 6-42
- Stud [Cat 08], 17-19
- Stud, .003" O.S., 12-3
- Stud, .013" O.S., 12-3
- Stud, .38-16 X 1.2l, 6-59, 6-61, 7-17
- Stud, .38-16 X 2.25, 5, 8-5
- Stud, Door Latch, 6-169
- Stud, Latch, 6-171
- Stud, Wheel, 6-35

CROSS REFERENCE

Stud, 6-17, 6-37, 6-39, 6-41, 6-57, 6-59, 6-78, 6-79, 6-158, 7-9, 7-11, 7-14, 8-39, 11-13, 11-15, 11-16, 12-11, 13-14, 13-16, 14-14, 14-16, 15-9, 15-12, 15-17, 15-25, 16-7, 16-12, 16-19, 16-21, 16-23, 17-12, 17-18, 17-19, 17-21
Sump, 15-21
Support Assembly, Lower Bearing, 6-165
Support, 10 in (254 mm), 9-5
Support, 13 in (330 mm), 9-5
Support, Brace, 6-9
Support, Light, 9-4
Support, Lower Bearing, 6-165
Support, LPG Tank, 7-3
Support, Rocker Arm Shaft, Rear (NOT AVAILABLE), 11-7, 13-8
Support, Rocker Arm Shaft, 11-7, 13-8, 14-8
Support, 6-11
Switch Assembly, 10-29
Switch, Brake Light Sending, 9-3
Switch, Cleaning Solution Metering, 6-132
Switch, Flow (See Breakdowns), 6-144
Switch, Flow, 10-29
Switch, Hi Low, 8-5
Switch, Ign [Ku], 7-23, 8-65
Switch, Ign [Ku], 6-129, 6-131
Switch, Oil Pressure, 7-3
Switch, On-Off, Squeegee Lift, 6-129
Switch, Press, 12vdc 02a Dpdt N 0006psi, 8-7
Switch, Pressure, 7psi, Spdt, 6-49
Switch, Pressure, 9-8
Switch, Push, 12vdc 80a Spst No, 6-131, 7-23, 8-65
Switch, Roller, 6-173
Switch, Snap Actn, 250vdc 25a Spdt, 6-25
Switch, Speed, Eng, 6-47, 6-131, 7-23
Switch, Toggle, 250vac 06a Spst On/Of, 9-3, 9-4, 9-5, 9-6
Switch, Toggle, 250vac 10a On/On, 6-131, 7-23, 8-65
Switch, Toggle, 9-3, 9-5, 9-6
Switch, 6-173, 9-4

T

Taillight, 9-3
Tank Assembly, LPG, 9-14
Tank, Coolant, 06.0 04.5 06.9deep 2.5 Qt, 6-75, 8-27
Tank, Detergent, 6-171
Tank, Fuel, 12 Gas 11.5 10.0 27.0, 6-89, 8-21
Tank, Fuel, 12.2gal, 11.50w 10.0hi 27.0l, 6-91
Tank, Fuel, 6-85, 6-87, 8-17, 8-19
Tank, Lpg, 33lb, W/ Fill Gauge, [Liq], 7-5
Tank, Lpg, 33lb, W/ Gauge [Empty] [Liq], 7-7
Tank, LPG, with Filler Gauge, 7-3
Tank, Recovery, 6-73, 6-169, 8-25

Tappet, Valve, 11-7, 13-8, 14-8
Tappet, 15-9, 16-9, 17-9
Tee, 6-43, 9-16, 11-16, 13-5, 14-5
Terminal, Male, 10-2
Terminal, Qdc, [.25f, Insf, 14], 6-131, 7-23, 8-65
Terminal, Quick Disconnect, 6-129
Terminal, Quick-Disconnect, 8-3, 8-32, 8-33
Terminal, Ring, 8-32, 8-33, 9-3
Terminal, Spade, #10stud, 14/16awg, 6-131, 7-23, 8-65
Terminal,, 9-3
Terminal, 6-129, 8-32, 8-33
Thermostat [Cat], 17-17
Thermostat and Gasket, 11-15, 13-16, 14-16
Thermostat, Coolant, 16-17
Thermostat, 11-15, 12-3, 13-16, 14-16, 15-25
Thumbscrew, Filter Hold-Down, 6-171
Tie, Cable, Nyl, 14.5l .30w 4.0 Max D, 7-7
Tie, Cable, 6-165, 6-167, 9-3
Timer, 12vdc, 15s, 6-157
Timing Gear Cover, 15-11
Tip, Nozzle, 13-5, 14-5
Tire and Wheel Assembly, 6-34
Tire, 6-34
Tool Assembly, Sludge Removal, 9-9
Tray Wldt, Drip, Gas [3.0l], 6-59
Tread, Non-Skid, 02.2w 15.5l, 6-175
Tread, Non-Skid, 12.0w 14.5l, 6-175
Trim, Plastic, Steering Column Housing, 6-9
Tube Assembly, Hydraulic, 6-71
Tube Assembly, Oil Pump Inlet, 11-10, 13-11, 14-11
Tube Assembly, 6-87, 8-17, 8-19, 13-5, 14-5
Tube Assy, 15-21
Tube Set, Fuel Injection, 14-5
Tube Wldt, Fan, Vacuum, 6-163
Tube Wldt, Tee, 6-83, 7-21
Tube, 01.00d 00.50b 01.0l Stl Pnt, 6-53, 6-55
Tube, 02.00d 01.88b 02.5l Ss, 6-83
Tube, Air Cleaner, 6-78, 6-79, 7-18, 7-19, 8-28
Tube, Air Intake, 8-3
Tube, Brake Line, L.H., 6-43
Tube, Brake Line, R.H., 6-43
Tube, Brake Line, 6-43
Tube, Coolant, 1.5d Lower, 6-75
Tube, Cooling, Oil, 16-3
Tube, Dipstick, 16-3
Tube, Exhaust [550d], 8-15
Tube, Exhaust, 1.6d 1.6d 45deg Cut E90, 6-67
Tube, Exhaust, 1.6d, 2 Sl Fng [550 07], 6-69
Tube, Exhaust, 1.8d 1.8od Cut-45 E105, 6-65, 8-13, 8-15
Tube, Exhaust, 2.0d [550/1550 07], 6-69

Tube, Exhaust, 2.0d Flared W/ Fng, 6-67
Tube, Exhaust, 2.0d Flared W/Fng, 6-65, 8-13
Tube, Exhaust, 6-63
Tube, Front Suction, 6-169
Tube, Fuel (for Engines 16860/16870), 11-19
Tube, Fuel (for Engines 34920/34930) (Replaced by none), 11-18
Tube, Fuel (for Engines 34920/34930), 11-18
Tube, Hydraulic, 7-3
Tube, Inlet, 6-161, 8-67
Tube, Intake, 6-161, 8-67
Tube, Oil Cooler, 11-17, 13-18, 14-18
Tube, Oil Filler, 13-3, 14-3
Tube, Oil Gauge, 11-3
Tube, PCV, 11-16
Tube, Real Squeegee Suction, 6-171
Tube, Vacuum, 11-18
Tube, 12-7, 16-13, 17-13

U

U-Bolt, 6-17

V

V-Belt, 6-45, 6-161, 8-67
V-belt, 8-3
V-Bolts, 9-6
Vacuum Advance, 11-18
Valve [Pcv], 6-61, 7-17
Valve Assembly, Check, 10-4
Valve Assembly, Relief (Includes Bearing), 10-4
Valve Kit, Pump, 10-3
Valve Plate, 10-9, 10-13
Valve Section, Manual, 10-27
Valve Section, 10-27
Valve Spool, 10-20
Valve, [Pcv], 6-47, 6-59, 7-13
Valve, Ball, 12pf Brs [Rwk 374249], 6-25
Valve, Cartridge, Cntrl, 10-34
Valve, Cartridge, Hyd, Press Cntrl, 10-34, 10-35
Valve, Check, 7-13, 13-5
Valve, Cntrl, Hyd, Solenoid, 12vdc 15gpm (See Breakdowns), 6-157
Valve, Cntrl, Hyd, Solenoid, 12vdc 15gpm, 10-35
Valve, Exhaust, 11-5, 12-3, 13-7, 14-7, 16-8, 17-8
Valve, Fuelock, Lpg, W/Wire Connector, 7-13
Valve, Guide [Cat 08], 17-7
Valve, Hyd, Man, 1sp 20gpm 2400psi (See Breakdowns), 6-149
Valve, Hyd, Man/Sol, 12vdc 05gpm 1200psi (See Breakdowns), 6-149
Valve, Hyd, Solenoid [01S15G3100] (See Breakdowns), 6-157

Valve, Hyd, Solenoid [01s15g3100], 10-34
 Valve, Hydraulic (See Breakdowns),
 6-147, 6-158, 8-45
 Valve, Hydraulic, Solenoid, 10-27
 Valve, Hydraulic, 10-28, 10-31
 Valve, Inlet, 16-8, 17-8
 Valve, Intake, 11-5, 12-3, 13-7, 14-7
 Valve, Lock Off, 7-17
 Valve, Lpg [Mixer], 7-17
 Valve, Lpg, Press Relief, [Rego], 7-7
 Valve, Press, Oil [Cat 08], 17-15
 Valve, Pressure Relief, 7-3, 7-5
 Valve, Relief, Press, Eng Oil, 16-15
 Valve, Relief, 10-4, 10-15, 10-17, 16-15,
 17-15
 Valve, Seal, Stem [Cat 08], 17-7, 17-8
 Valve, Seat [Cat 08], 17-7
 Valve, Shutoff, 16-25, 17-22
 Valve, Stem, No, 10-34, 10-35
 Valve, Tire, Air, 6-34
 Valve, Trim, Fuel, Lpg, 7-13
 Valve, Trim, Press, Lpg, 7-13
 Valve, Water, Drain, 9-16
 Valve, 10-23, 12-7, 12-9, 15-13
 Vaporizer, LPG, 7-3
 Video, Operator, 550, 9-20
 Vr, Shim Kit, Pump, Injection [Pk], 15-17
 Vr, Tube Kit, Injector [4 Tubes], 13-5

W

Wand Kit, Squeegee, 9-13
 Warning Kit, Brush Pressure, 9-8
 Washer [Cat 08], 17-11, 17-15, 17-21
 Washer, 12-9
 Washer, Wavy, 6-39, 6-41, 8-39
 Washer, 0.53b 1.75d .12, Stl, Pl, 6-47,
 8-5
 Washer, 1.15b 1.75d .08, Stl, 6-131,
 7-23, 8-65
 Washer, 1.15B 1.75D .08Stl, 6-129
 Washer, 7.2mm X 14.5mm X 2mm, 16-23
 Washer, 8.8mm X 16mm X 2mm, 16-7
 Washer, Belleville, .25, 6-131, 7-23, 8-65
 Washer, Belleville, .31, 6-53, 6-55, 6-163
 Washer, Belleville, .38, 6-49, 6-155
 Washer, Belleville, .50, 6-157
 Washer, Belleville, 6-28, 6-29, 6-45,
 6-173, 8-3
 Washer, Copper, 13-5
 Washer, Dished, 9-3
 Washer, Drain Plug, 11-3, 13-3, 14-3
 Washer, Fiberglide, 6-173
 Washer, Flat, .38 Sae, 6-53, 6-55, 8-13
 Washer, Flat, #06, 6-13
 Washer, Flat, #08, 6-131, 7-23, 8-65
 Washer, Flat, #10, 8-9
 Washer, Flat, 0.25 Sae, 6-11, 6-49, 6-75,
 8-21
 Washer, Flat, 0.25 Std, 6-11, 6-75, 6-131,
 7-23, 8-9, 8-27, 8-65
 Washer, Flat, 0.25, Sae, 6-69
 Washer, Flat, 0.25, Std, 6-61, 6-91, 7-17

Washer, Flat, 0.31 Sae, 6-11, 6-75, 6-83,
 6-89, 6-91, 6-157, 7-21, 8-21, 8-27,
 8-31, 16-8, 16-9, 16-11, 16-13,
 16-15, 16-17, 16-19, 16-21, 16-23,
 16-25, 16-26
 Washer, Flat, 0.31 Std, 6-11, 6-13, 6-67,
 6-75, 6-83, 6-89, 6-91, 7-7, 7-21,
 8-15, 8-21, 8-27, 8-31, 16-7
 Washer, Flat, 0.31, Hardened, 6-55
 Washer, Flat, 0.31, Std, 6-49, 6-69
 Washer, Flat, 0.34b 0.69d .06, Nyl, 6-13
 Washer, Flat, 0.38 Std, 6-11, 6-49, 6-163,
 8-7, 8-15, 16-11, 16-12, 16-15,
 16-23
 Washer, Flat, 0.38, Hardened, 6-61, 7-17
 Washer, Flat, 0.38, Sae, 6-55
 Washer, Flat, 0.38, Std, 6-69
 Washer, Flat, 0.39b 0.75d .06, Nyl, 8-9
 Washer, Flat, 0.40b 1.12d .12, Stl, Pl,
 6-163
 Washer, Flat, 0.44b 1.00d .08, Ss, 6-21,
 6-27
 Washer, Flat, 0.50 Sae, 6-11, 6-151,
 6-152
 Washer, Flat, 0.50 Std, 6-49, 6-75, 8-7,
 8-27
 Washer, Flat, 0.53b 1.75d .12, Stl, Pl, 8-7
 Washer, Flat, 0.53b 1.88d .12, Stl, Pl,
 6-49
 Washer, Flat, 0.53b 2.13d .11, Stl, Pl,
 6-49
 Washer, Flat, 0.75 Sae, 6-67, 6-163, 8-15
 Washer, Flat, 0.75, Sae, 6-69
 Washer, Flat, Perkins, [550/1550], 8-5
 Washer, Flat, 6-35, 6-165, 6-172, 8-34,
 11-7, 13-7, 13-8, 14-7, 14-8
 Washer, Flt, .25 Sae, 6-41, 6-47
 Washer, Flt, .25 Std, 6-73, 8-25
 Washer, Flt, .31 Ss, 6-70, 8-11, 16-15
 Washer, Flt, .31 Std, 6-51, 6-65, 6-70,
 6-73, 7-5, 8-5, 8-11, 8-13, 8-19,
 8-22, 8-25
 Washer, Flt, .38 Sae, 6-41, 6-47, 6-51,
 6-77
 Washer, Flt, .38 Std, 6-47, 6-65, 6-73,
 8-13, 8-25
 Washer, Flt, .50 Std, 6-73, 8-25
 Washer, Flt, .75 Sae, 6-65, 8-13
 Washer, Hard [Cat 08], 17-7, 17-9, 17-11,
 17-12, 17-15, 17-17, 17-18, 17-19,
 17-21, 17-23
 Washer, Loc, M5, 6-47, 6-49
 Washer, Lock [Cat 08], 17-11, 17-13,
 17-15, 17-18, 17-19, 17-21, 17-22,
 17-23
 Washer, Lock, .25, 6-47, 6-49
 Washer, Lock, .31, 6-47, 6-49, 6-51, 8-22
 Washer, Lock, .38, 6-47, 6-49, 6-51,
 6-77, 8-5
 Washer, Lock, .44, 8-5
 Washer, Lock, .50, 6-47
 Washer, Lock, #10, 6-47, 6-49, 6-57
 Washer, Lock, 0.38, 6-61, 7-17

Washer, Lock, Int / Ext, 0.38, 6-61, 7-17
 Washer, Lock, Int, .31, 6-89, 6-91, 7-5,
 7-7, 8-21
 Washer, Lock, Int, .38, 8-13
 Washer, Lock, Int, #06, 6-13
 Washer, Lock, Int, #08, 6-89, 6-91, 6-131,
 7-23, 8-65
 Washer, Lock, Int, #10, 6-89, 6-91
 Washer, Lock, Int, 08, Ss, 6-132
 Washer, Lock, Int-Ext, .31, 6-11, 6-131,
 7-23, 8-65
 Washer, Lock, Int-Ext, .38, 8-7
 Washer, Lock, Int-ext, .38, 6-53, 6-55
 Washer, Lock, M10, 8-5, 8-22
 Washer, Lock, M12, 8-5
 Washer, Lock, M6, 8-25
 Washer, Lock, 6-165
 Washer, M14, Hardened, 8-5
 Washer, Nylon, 6-9, 6-25, 6-78, 6-79
 Washer, Plain, 11-5, 11-8, 13-7, 13-9,
 14-8, 14-9
 Washer, Rocker Arm Shaft, 13-8, 14-8
 Washer, Rubber, 6-171, 9-14
 Washer, Seal, 6-169
 Washer, Sealing, Eng, Dsl, 8-19
 Washer, Sealing, 8-17, 9-4, 13-5
 Washer, Spacer, 6-165
 Washer, Spherical, 9-3
 Washer, Thrust, 6-172
 Washer, Wavy, 6-161, 8-67, 11-7, 13-8
 Washer, 6-17, 6-21, 6-23, 6-27, 6-28,
 6-29, 6-31, 6-32, 6-45, 6-57, 6-59,
 6-165, 6-173, 7-9, 7-11, 7-14, 8-37,
 10-7, 10-9, 10-11, 10-13, 10-15,
 10-17, 12-5, 12-9, 12-11, 12-12,
 13-5, 14-7, 15-5, 15-11, 15-15,
 15-17, 15-23, 15-28, 15-29, 16-26,
 17-21, 17-23
 Water Pump, 12-12, 15-25
 Watertrap, Fuel, 8-17
 Watertrap, 8-19
 Weight, 15-15
 Weights Set, Advance, 11-18
 Wheel Assembly, Foam Filled, 1550, 9-16
 Wheel, Steering, 14.3d 0.81b 36tooth,
 6-33
 Wheel, Steering, 6-32, 8-37
 Wire Assembly, Headlight, 9-3
 Wire Assembly, No. 46, 8-3
 Wire Assy, 06ga 13.0l Blk .41h/ .41h,
 6-49, 8-7
 Wire Assy, 4ga, 150 Amp Fuse, 8-7
 Wire Harness, Auto Squeegee, 6-117
 Wire Harness, Control Box, 6-117
 Wire Harness, Engine, Gas, 6-117
 Wire Harness, Engine, LPG, 6-117
 Wire Harness, Level Warning, 6-129
 Wire Harness, Light, 1550, 9-3
 Wire Harness, Main, Gasoline and LPG,
 6-117
 Wire Harness, Tractor, Auto Squeegee,
 6-117
 Wire Kit, Instrument Panel, 6-129

CROSS REFERENCE

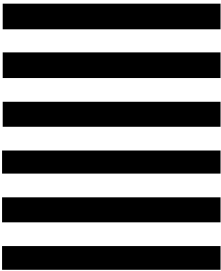
Wire Kit, Operating Lights, 9-3
Wire Kit, 9-4, 9-6, 9-8
Wire, Glow Plug, 13-5, 14-5
Wire, Ground, 6-51, 6-53, 6-55
Wire, Lead, 6-8
Wire, 12-5
Woodruff Key, 15-11, 15-15



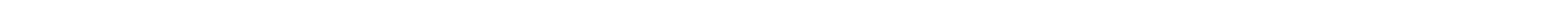
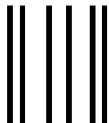
TENNANT COMPANY
 Technical Publications #15
 701 North Lilac Drive
 P.O. Box 1452
 Minneapolis, MN 55440-9947

POSTAGE WILL BE PAID BY ADDRESSEE

BUSINESS REPLY MAIL
 FIRST CLASS MAIL PERMIT NO. 94 MINNEAPOLIS, MN

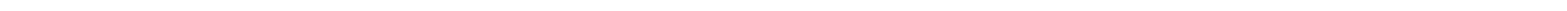


NO POSTAGE
 NECESSARY
 IF MAILED
 IN THE
 UNITED STATES



Fold along dotted lines

Tape here





We Need Your Help...

As part of Tennant's Zero Defects Program, we want to know about errors you have found or suggestions you may have regarding our machine manuals. If you find an error or have a suggestion, please complete this postage-paid form and mail it to us. Thank you for helping us make zero defects a way of life at Tennant.

Manual No. _____ Rev. No. _____ Publish Date _____ Page _____
Machine _____ Report Error Suggestion

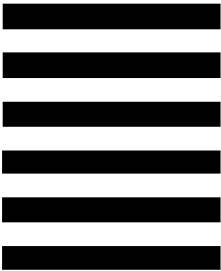
Name _____ Date _____
Customer Number _____
Company _____
Address _____
City/State/Zip Code _____



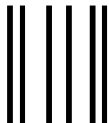
TENNANT COMPANY
 Technical Publications #15
 701 North Lilac Drive
 P.O. Box 1452
 Minneapolis, MN 55440-9947

POSTAGE WILL BE PAID BY ADDRESSEE

BUSINESS REPLY MAIL
 FIRST CLASS MAIL PERMIT NO. 94 MINNEAPOLIS, MN



NO POSTAGE
 NECESSARY
 IF MAILED
 IN THE
 UNITED STATES



Fold along dotted lines

Tape here

